



US00D884241S

(12) **United States Design Patent** (10) **Patent No.:** **US D884,241 S**
Chami et al. (45) **Date of Patent:** **** May 12, 2020**

(54) **FLOOD LIGHT LUMINAIRE**
(71) Applicant: **MAXLITE, INC.**, West Caldwell, NJ (US)
(72) Inventors: **Aymen Chami**, Hackettstown, NJ (US); **Eric Clohosey**, East Rutherford, NJ (US)
(73) Assignee: **MAXLITE, Inc.**, West Caldwell, NJ (US)
(**) Term: **15 Years**
(21) Appl. No.: **29/646,684**
(22) Filed: **May 7, 2018**
(51) **LOC (12) Cl.** **26-03**
(52) **U.S. Cl.**
USPC **D26/63**
(58) **Field of Classification Search**
USPC D26/1, 24, 60, 61, 63, 65-67, 72, 75, 80, D26/85, 92, 102, 113, 138-140, 145
CPC F21S 4/00; F21S 2/00; F21V 3/02; F21V 7/00; F21V 13/04; F21V 15/01; F21V 19/02; F21V 21/00; F21V 21/14; F21V 21/116; F21V 29/00; F21V 29/76; F21V 29/83
See application file for complete search history.

(56) **References Cited**
U.S. PATENT DOCUMENTS
D533,675 S * 12/2006 Didier D26/67
D690,047 S * 9/2013 Ng D26/65
D720,486 S * 12/2014 Gough D26/63
D744,149 S * 11/2015 Bobel D26/92
D788,966 S * 6/2017 Gan D26/63
D800,947 S * 10/2017 Xiang D26/92
D837,434 S * 1/2019 Wei D26/80
D843,040 S * 3/2019 Xiang D26/63
D849,315 S * 5/2019 Deng D26/113
D853,005 S * 7/2019 Zou D26/63

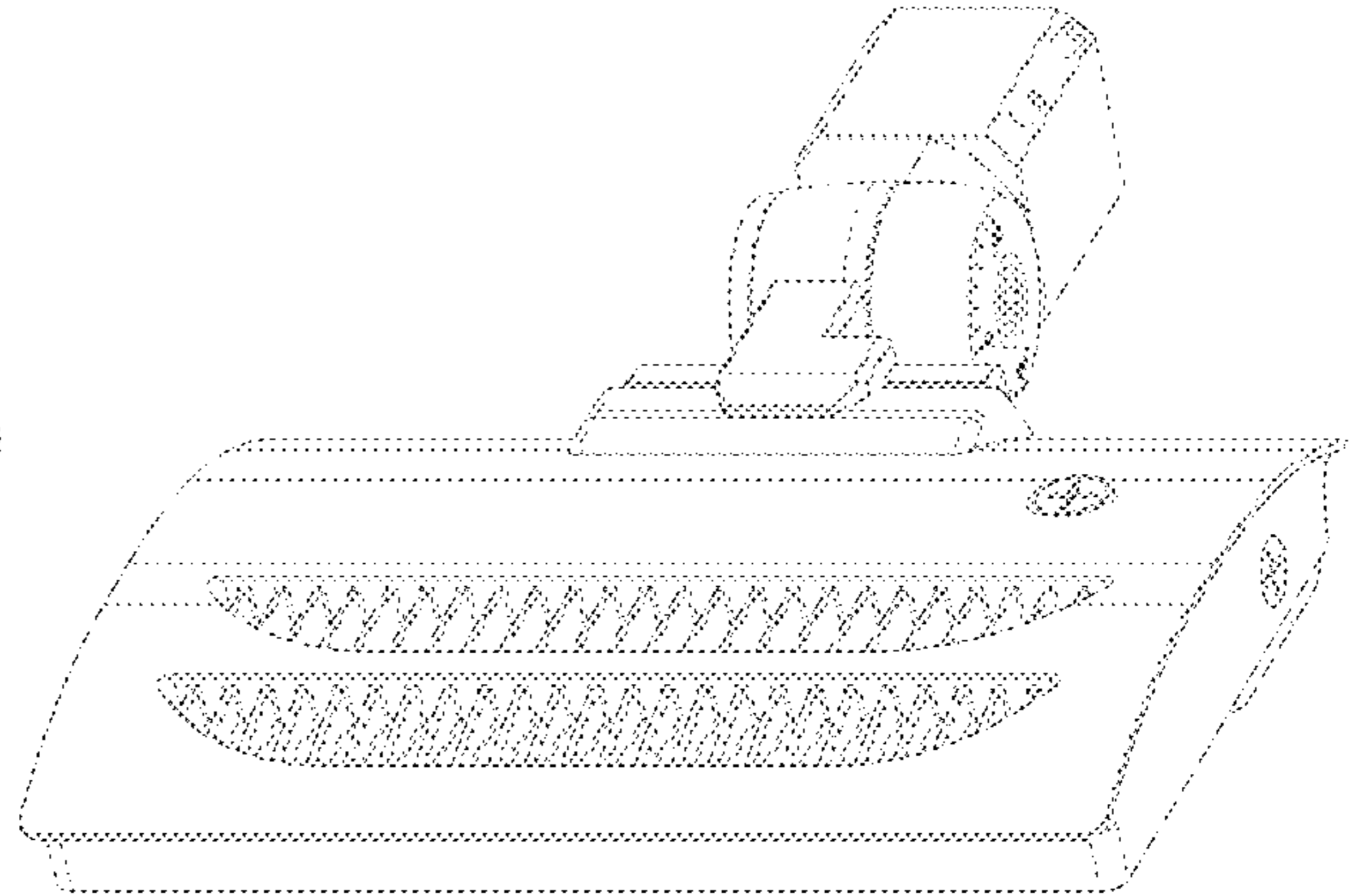
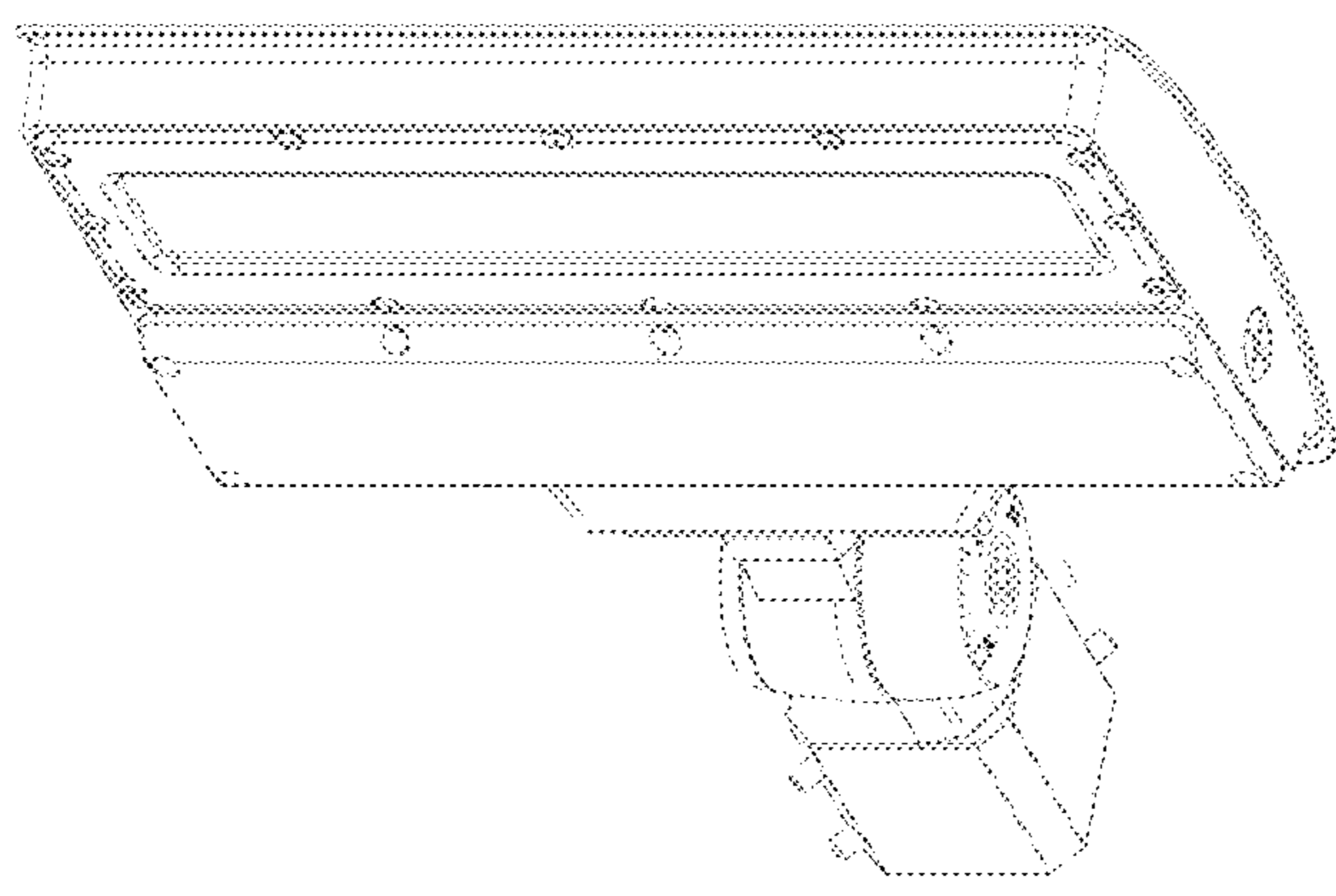
D853,006 S * 7/2019 Zou D26/63
2008/0030983 A1 * 2/2008 Pickett F21S 8/00
362/222
2008/0080162 A1 * 4/2008 Wilcox F21S 8/086
362/20
2013/0250556 A1 * 9/2013 Gordin F21S 8/088
362/147
2014/0104836 A1 * 4/2014 Kinnune F21V 29/74
362/249.02
2014/0218944 A1 * 8/2014 Hobson F21V 29/004
362/418
2015/0316249 A1 * 11/2015 Kinnune F21K 9/60
362/235
2017/0370553 A1 * 12/2017 Demuynck F21V 3/02
2019/0178485 A1 * 6/2019 Ladewig F21S 2/00
2019/0234594 A1 * 8/2019 Dinh F21V 17/12
2019/0346121 A1 * 11/2019 Zhu H05B 37/02
2019/0383477 A1 * 12/2019 York F21V 23/008

* cited by examiner
Primary Examiner — Angela J Lee
Assistant Examiner — Shawn T Gingrich
(74) *Attorney, Agent, or Firm* — Budzyn IP Law, LLC

(57) **CLAIM**
The ornamental design for a flood light luminaire, as shown and described.

DESCRIPTION
FIG. 1 is a front, upward perspective view of a flood light luminaire;
FIG. 2 is a front, downward perspective view thereof;
FIG. 3 is a left side elevational view thereof;
FIG. 4 is a right side elevational view thereof;
FIG. 5 is a front elevational view thereof;
FIG. 6 is a rear elevational view thereof;
FIG. 7 is a top plan view thereof; and,
FIG. 8 is a bottom plan view thereof.
The broken lines in FIG. 6 illustrate portions of the flood light luminaire that form no part of the claimed design.

1 Claim, 8 Drawing Sheets



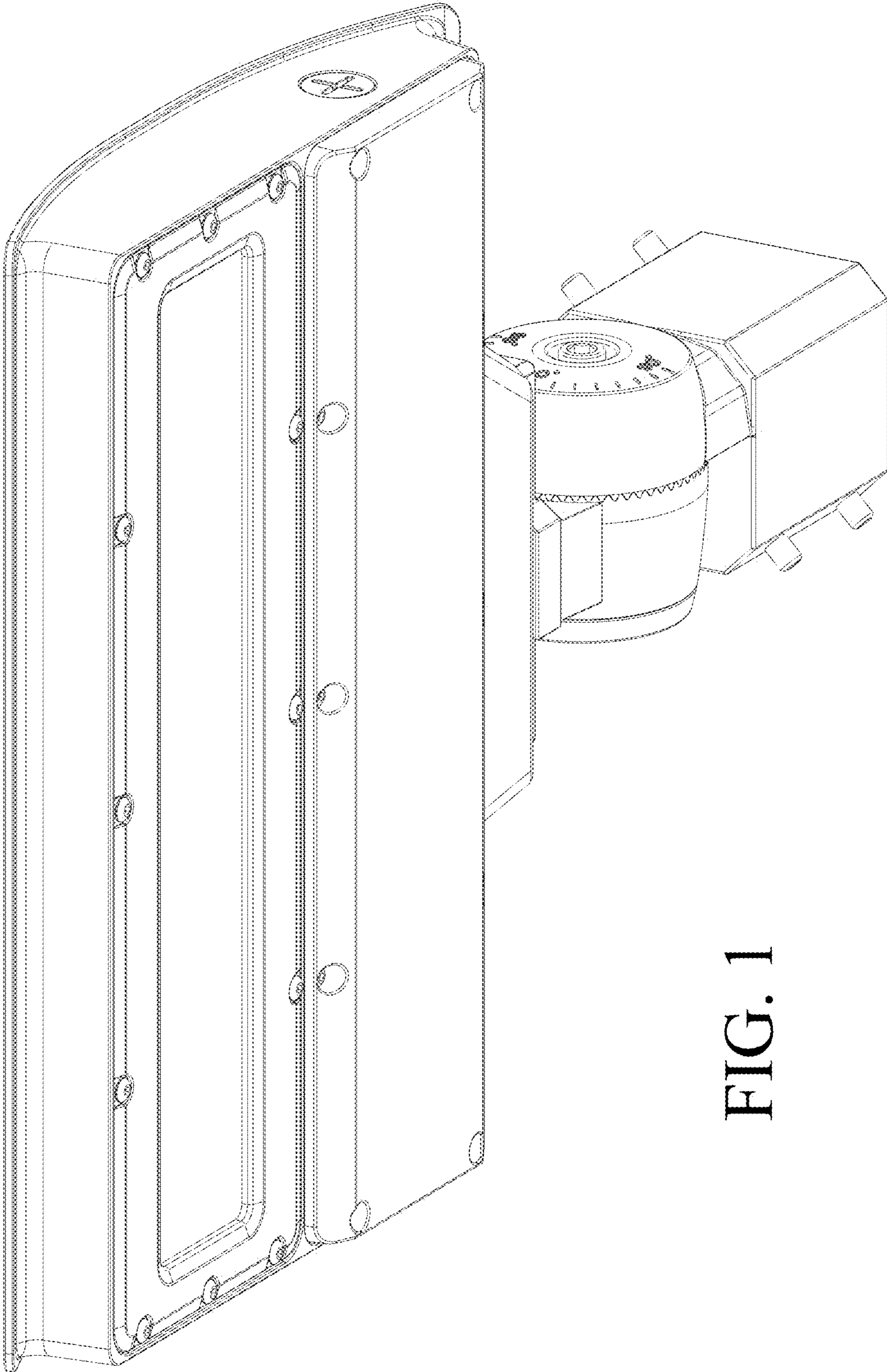


FIG. 1

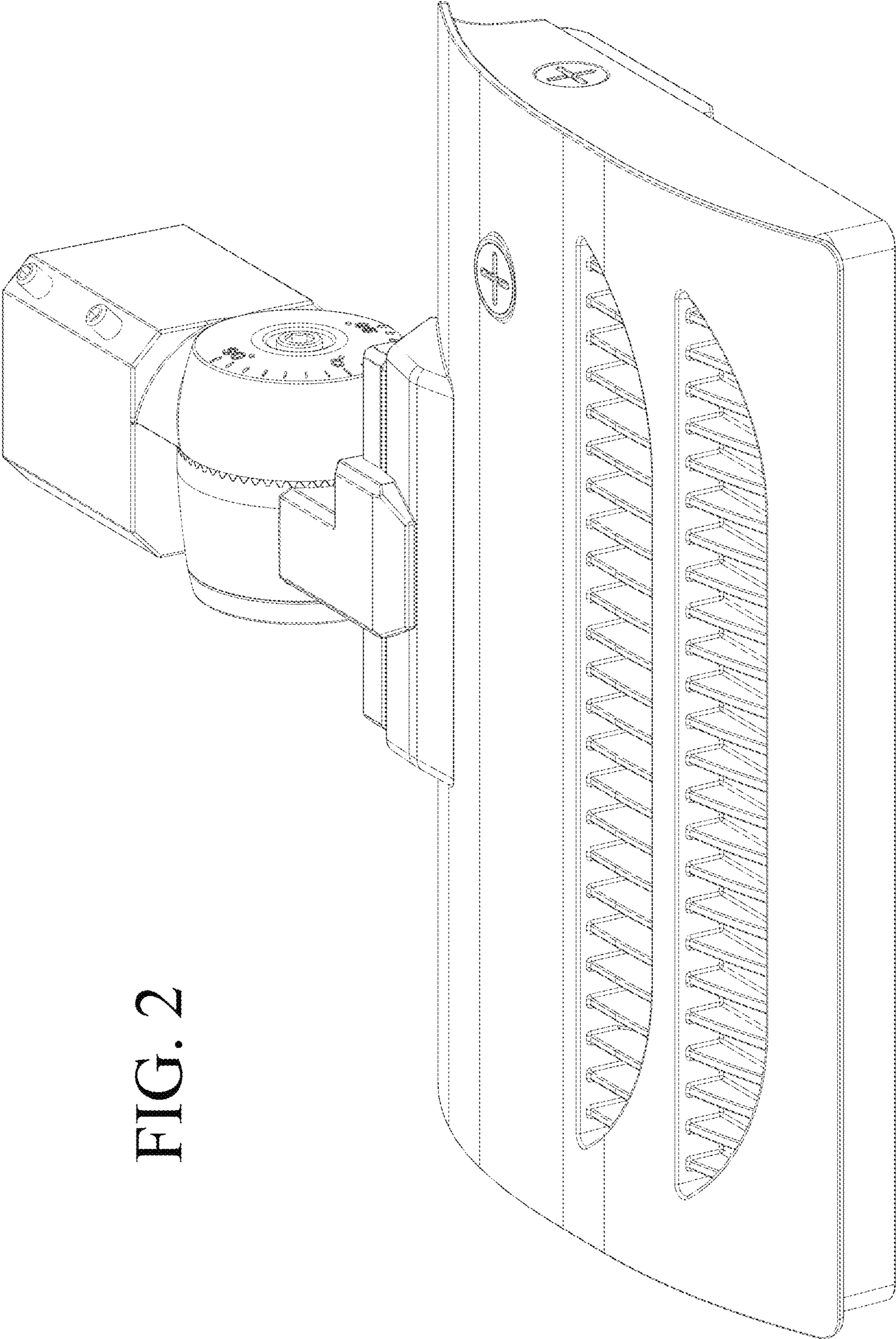


FIG. 2

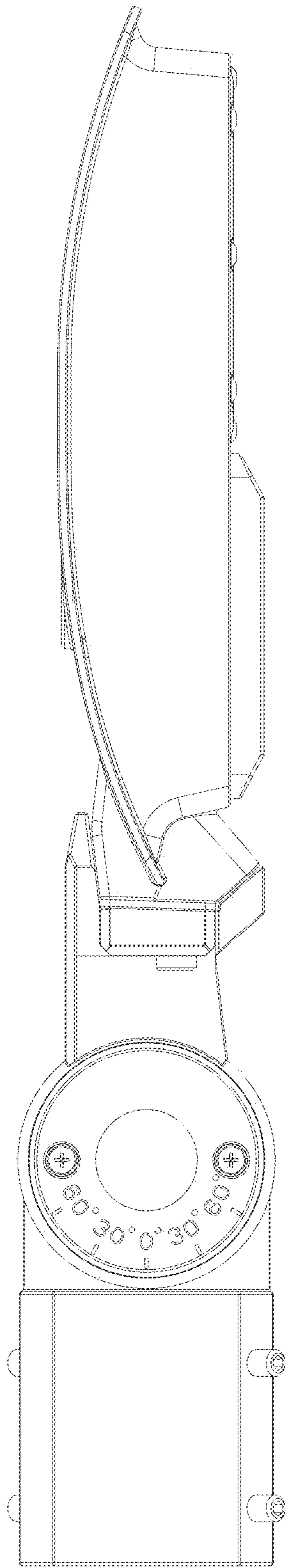


FIG. 3

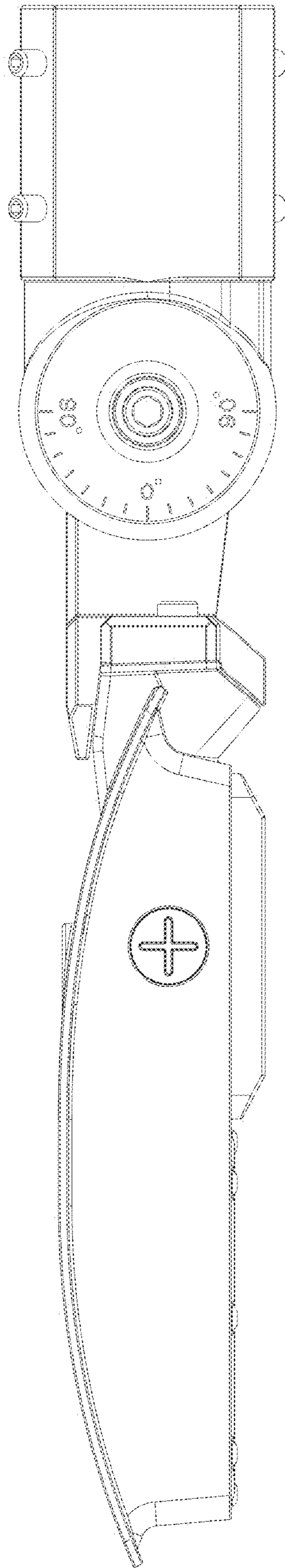


FIG. 4

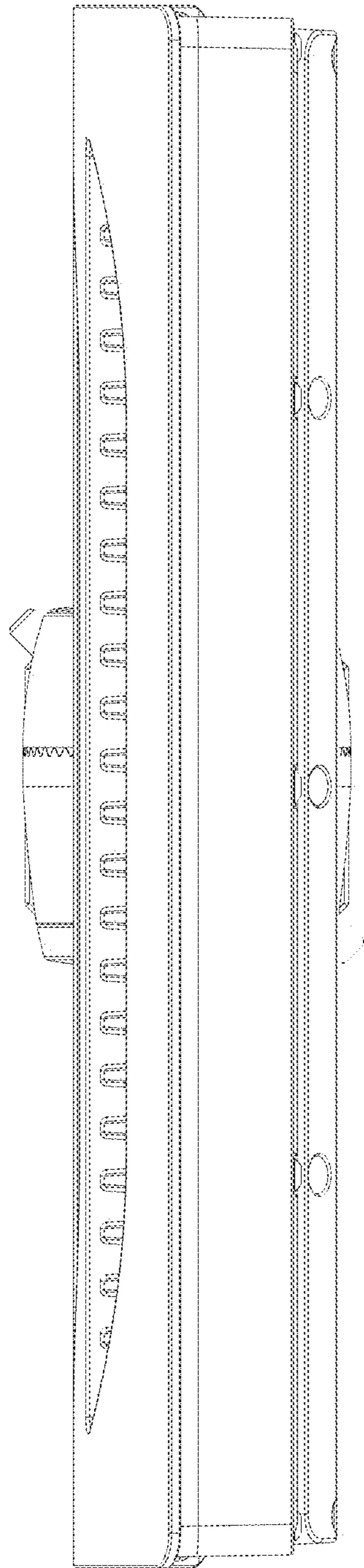


FIG. 5

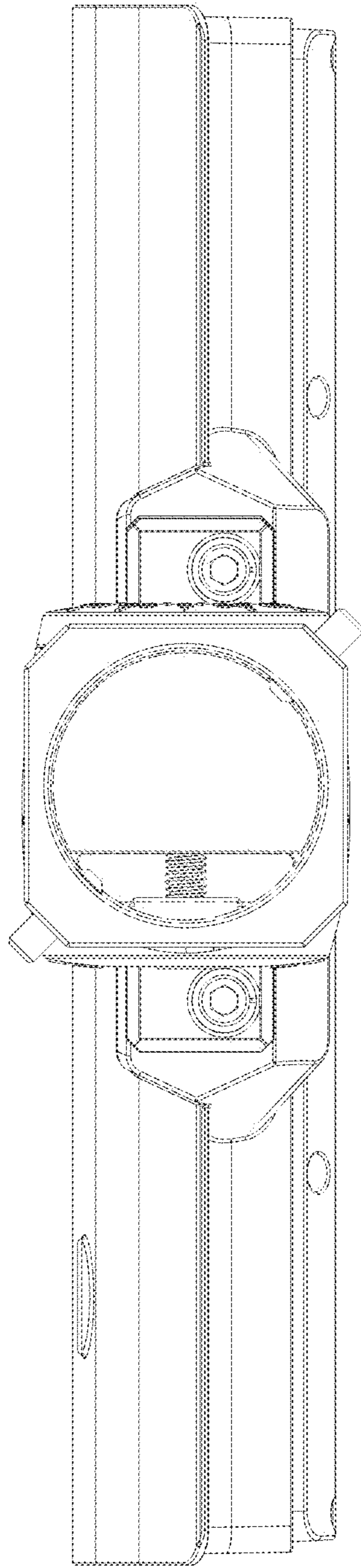


FIG. 6

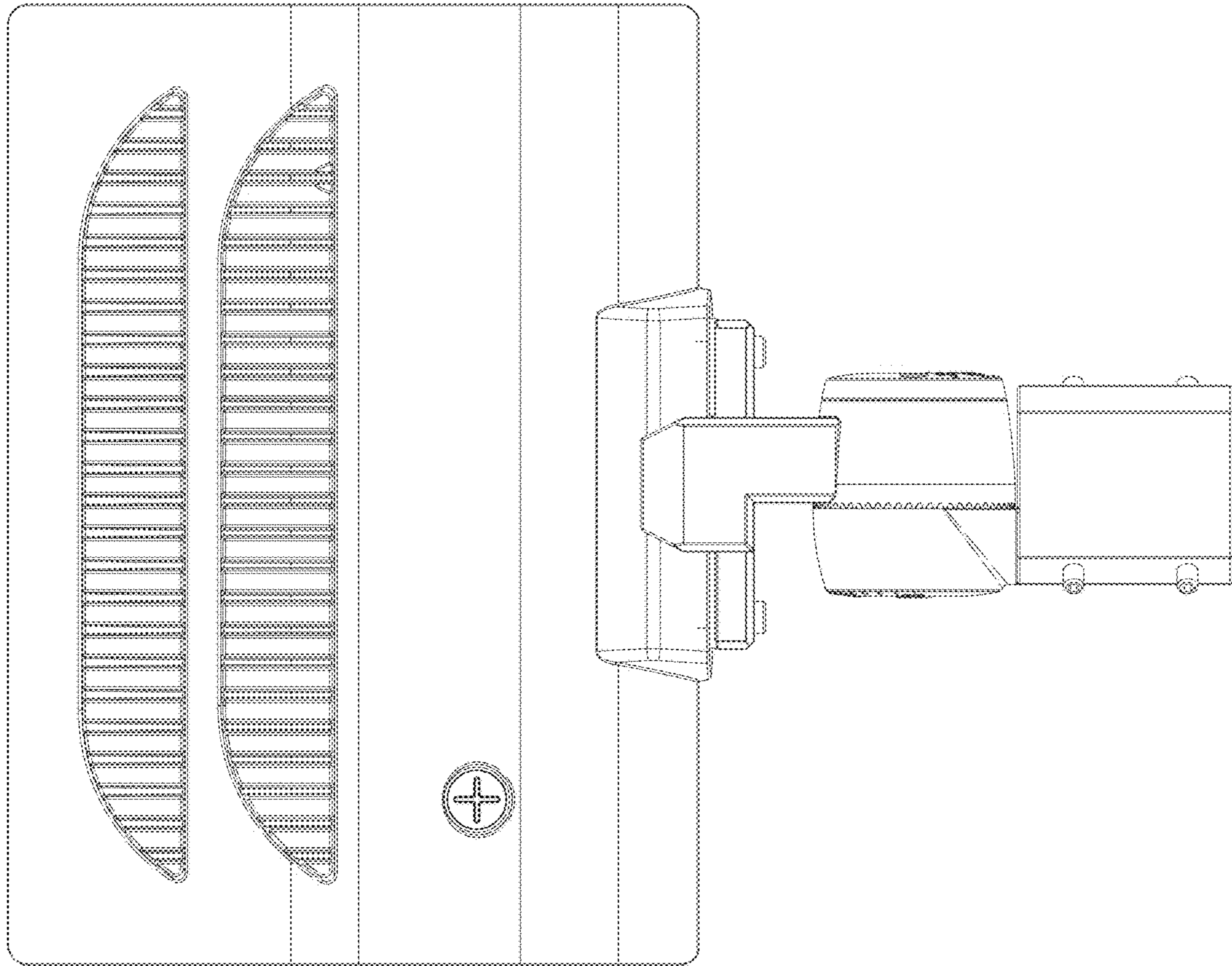


FIG. 7

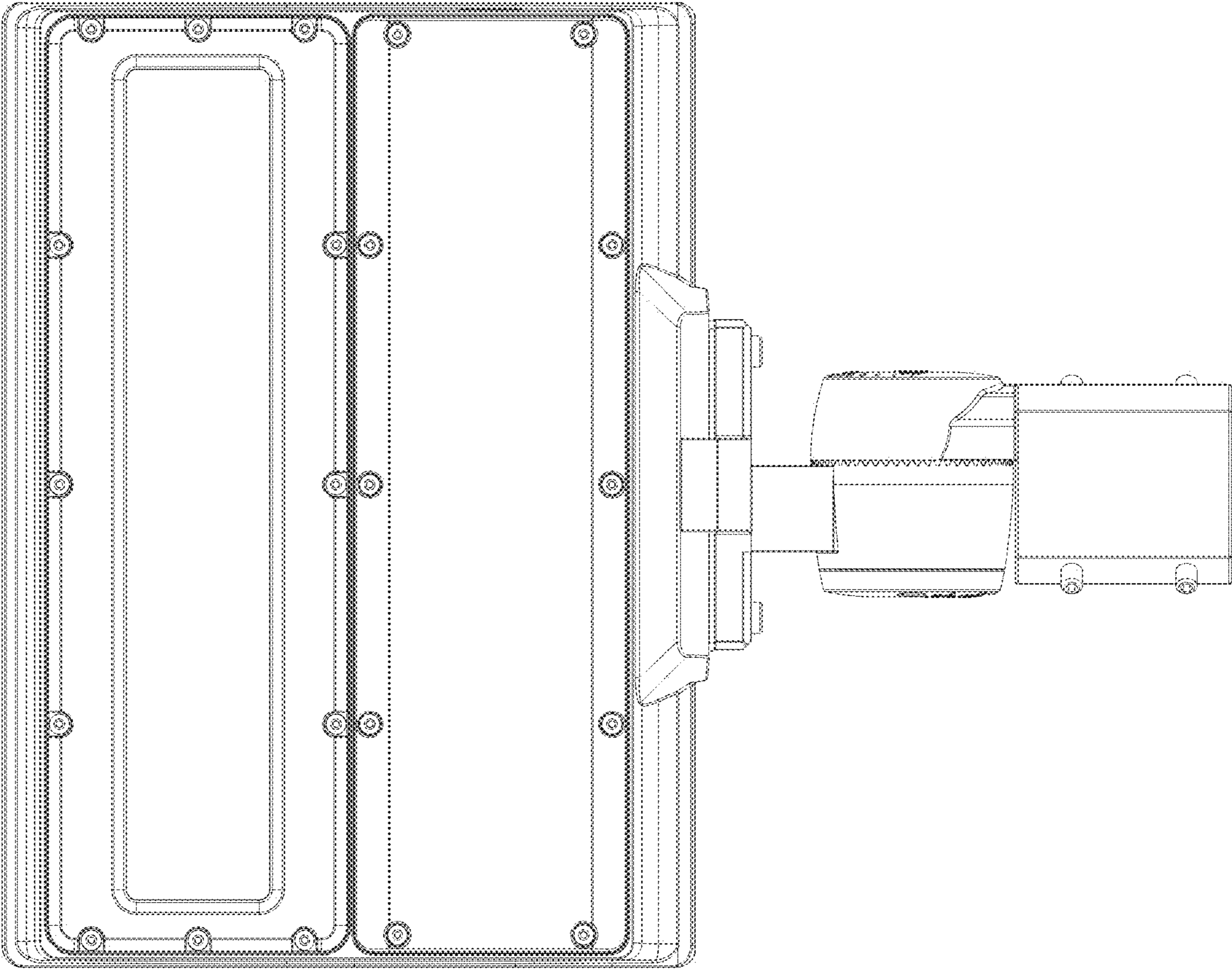


FIG. 8