



US00D884240S

(12) **United States Design Patent**
Ruggiero

(10) **Patent No.:** **US D884,240 S**
(45) **Date of Patent:** **** May 12, 2020**

(54) **RETRACTABLE HOLIDAY LIGHT HOUSING**

(71) Applicant: **Thomas A. Ruggiero**, Merritt Island, FL (US)

(72) Inventor: **Thomas A. Ruggiero**, Merritt Island, FL (US)

(**) Term: **15 Years**

(21) Appl. No.: **29/647,993**

(22) Filed: **May 17, 2018**

(51) **LOC (12) Cl.** **26-05**

(52) **U.S. Cl.**
USPC **D26/61**

(58) **Field of Classification Search**
USPC ... D26/1, 24, 44, 61, 63, 76, 81, 83, 86, 88,
D26/109, 119, 122, 130; D10/104.1,
D10/114.1, 114.2, 114.4
(Continued)

(56) **References Cited**

U.S. PATENT DOCUMENTS

4,009,745 A 3/1977 Erpenbeck
6,474,840 B2 11/2002 Padermos
(Continued)

Primary Examiner — Wan Laymon

Assistant Examiner — Clint A Samuel

(74) *Attorney, Agent, or Firm* — Brian S. Steinberger;
Hilary F. Steinberger; Law Offices of Brian S.
Steinberger, P.A.

(57) **CLAIM**

The ornamental design for a retractable holiday light housing, as shown and described.

DESCRIPTION

FIG. 1 is an upper front perspective view of the retractable holiday light housing, with lights retracted inside the housing.

FIG. 2 is an upper rear perspective view of the retractable holiday light housing of FIG. 1.

FIG. 3 is a lower front perspective view of the retractable holiday light housing of FIG. 1.

FIG. 4 is a lower rear perspective view of the retractable holiday light housing of FIG. 1.

FIG. 5 is a front view of the retractable holiday light housing of FIG. 1.

FIG. 6 is a rear view of the retractable holiday light housing of FIG. 1.

FIG. 7 is a top view of the retractable holiday light housing of FIG. 1.

FIG. 8 is a bottom view of the retractable holiday light housing of FIG. 1.

FIG. 9 is an enlarged left side view of the retractable holiday light housing of FIG. 1.

FIG. 10 is an enlarged right side view of the retractable holiday light housing of FIG. 1.

FIG. 11 is an upper front perspective view of the retractable holiday light housing, with lights extended below the housing.

FIG. 12 is an upper rear perspective view of the retractable holiday light housing of FIG. 11.

FIG. 13 is a lower front perspective view of the retractable holiday light housing of FIG. 11.

FIG. 14 is a lower rear perspective view of the retractable holiday light housing of FIG. 11.

FIG. 15 is a front view of the retractable holiday light housing of FIG. 11.

FIG. 16 is a rear view of the retractable holiday light housing of FIG. 11.

FIG. 17 is a top view of the retractable holiday light housing of FIG. 11.

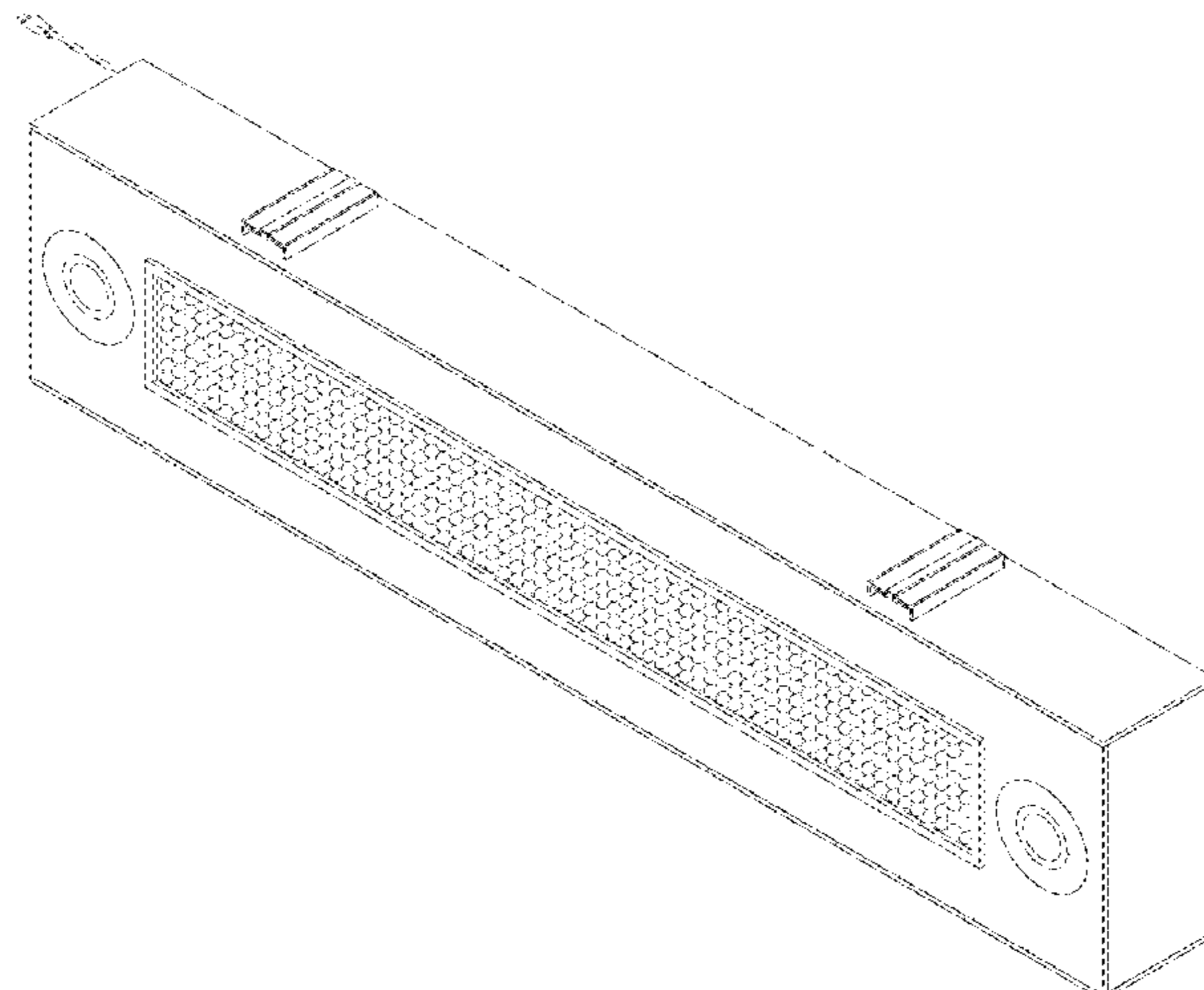
FIG. 18 is a bottom view of the retractable holiday light housing of FIG. 11.

FIG. 19 is an enlarged left side view of the retractable holiday light housing of FIG. 11; and,

FIG. 20 is an enlarged right side view of the retractable holiday light housing of FIG. 11.

The broken lines showing in the drawings are for the purpose of illustrating environmental structure and form no part of the claimed design.

1 Claim, 10 Drawing Sheets



(58) **Field of Classification Search**

CPC F21V 21/30; F21V 21/02; F21V 21/03;
 F21V 21/008; F21V 21/047; F21V 3/00;
 F21V 3/02; F21V 3/049; F21V 15/01;
 F21V 15/012; F21V 2200/00; F21V
 2200/20; F21V 33/00; F21V 33/0966;
 F21W 2131/10; F21W 2131/20; F21W
 2131/40; F21W 2131/101; F21W
 2131/103; F21W 2131/406; F21W
 2131/1005

See application file for complete search history.

(56) **References Cited**

U.S. PATENT DOCUMENTS

6,918,680 B2 7/2005 Seeberger
 6,984,944 B2 1/2006 Garrity
 D539,945 S * 4/2007 Egawa D26/24
 D585,581 S * 1/2009 Purcell D26/76
 7,825,790 B2 11/2010 Tallinger

7,878,684 B2 2/2011 Nauman
 8,136,962 B2 3/2012 Marlonia
 D702,387 S * 4/2014 Pedersen D26/63
 D779,354 S * 2/2017 Deyaf D10/114.4
 9,630,769 B2 4/2017 Schultz
 9,777,895 B2 10/2017 Bokun
 D805,235 S * 12/2017 Waldmann D26/76
 D808,566 S * 1/2018 Goetz-Schaefer D26/76
 D821,011 S * 6/2018 Yan D26/63
 D851,789 S * 6/2019 Johnson D26/24
 D865,226 S * 10/2019 Liu D26/1
 D869,048 S * 12/2019 Chai D26/76
 2008/0285294 A1 11/2008 Kim
 2010/0110668 A1 5/2010 Marlonia
 2011/0164409 A1 7/2011 Smith et al.
 2013/0039067 A1 2/2013 Wong
 2014/0091719 A1 4/2014 Tsai
 2015/0102731 A1 4/2015 Altamura et al.
 2016/0215971 A1 7/2016 Silver et al.
 2018/0306413 A1 * 10/2018 Tremaine F21V 15/012
 2019/0059237 A1 * 2/2019 Johnson A01G 7/045

* cited by examiner

FIG. 1

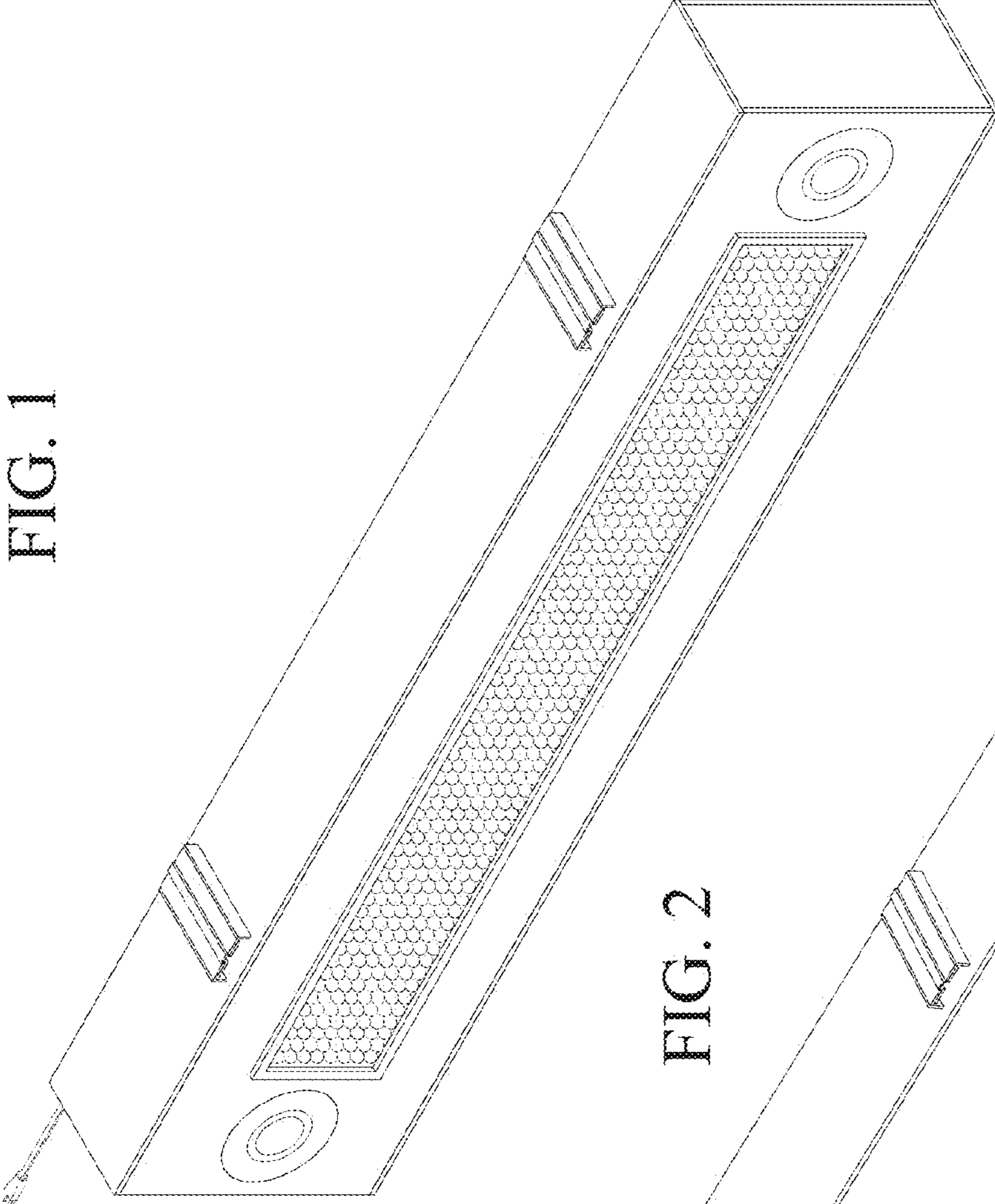
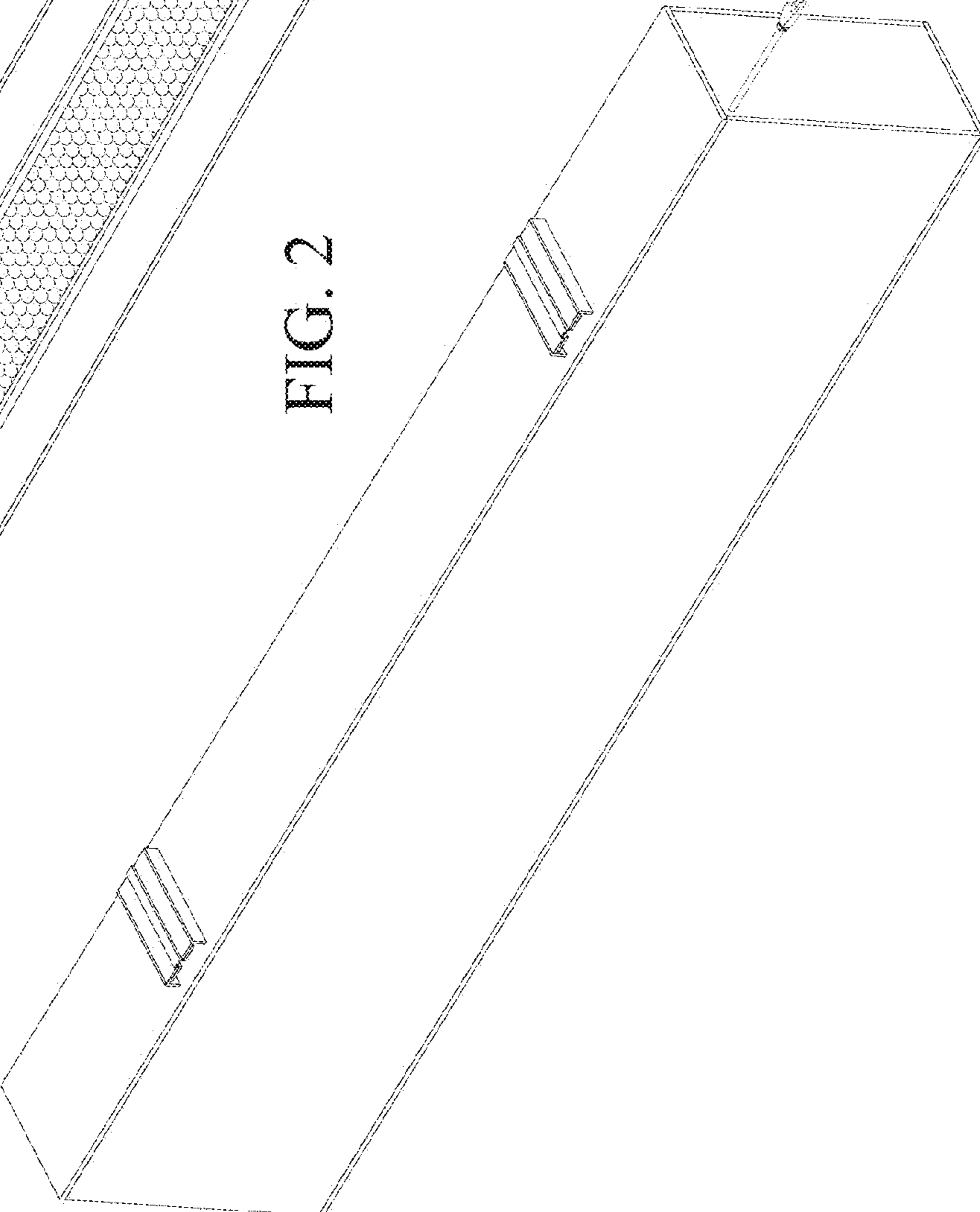


FIG. 2



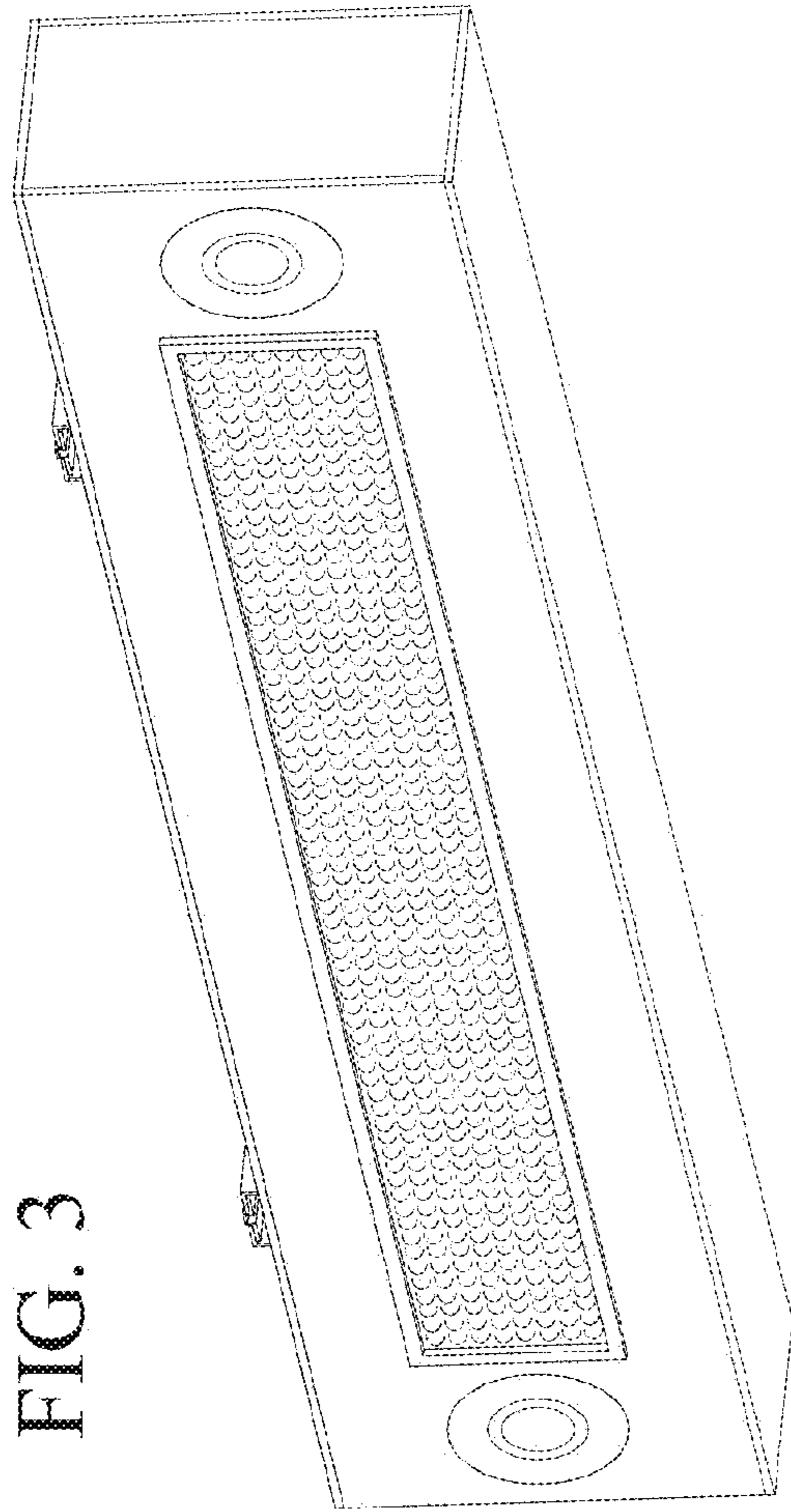


FIG. 3

FIG. 4

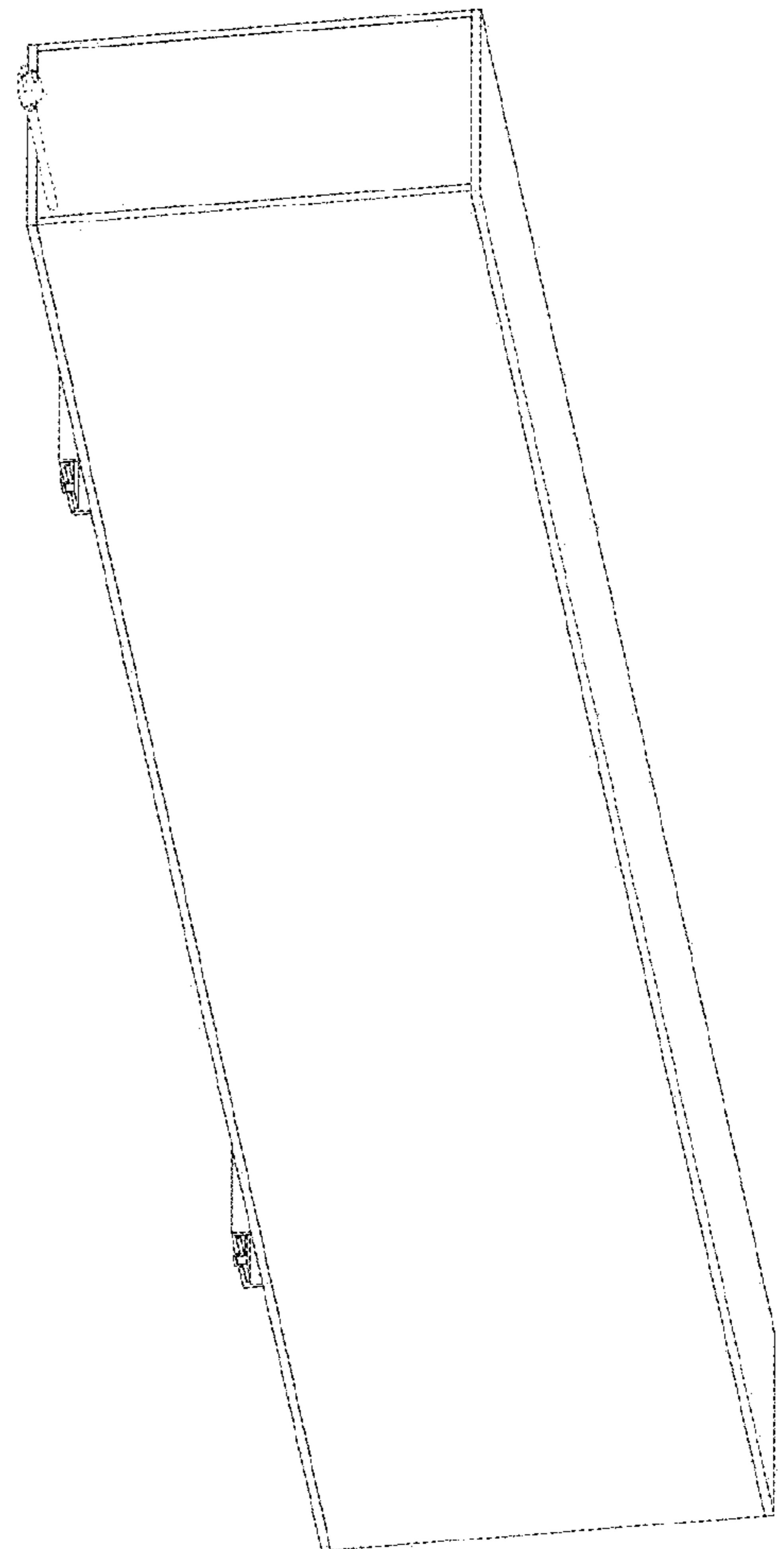


FIG. 5

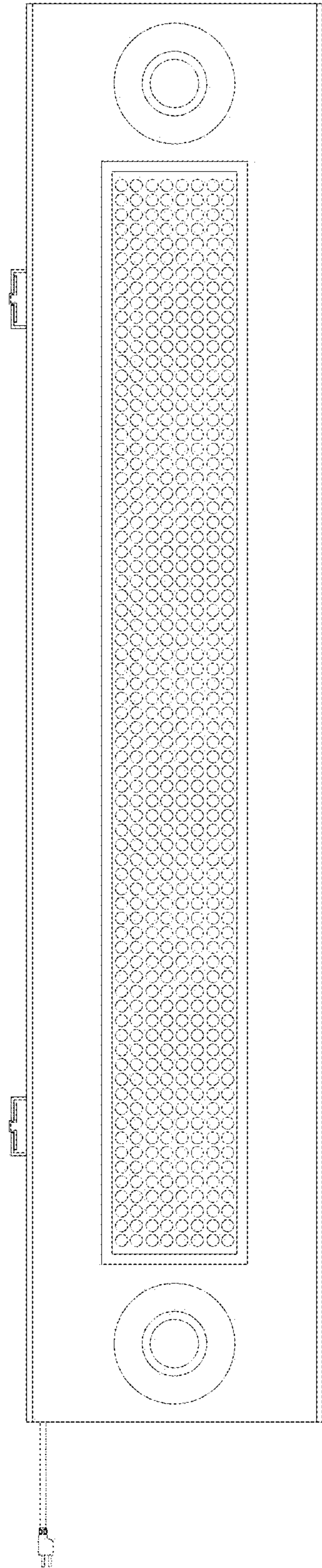


FIG. 6

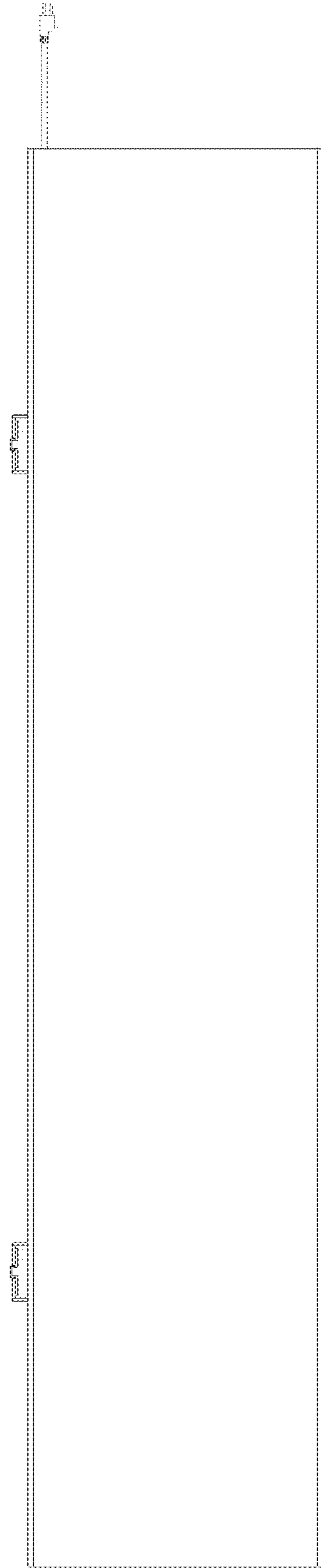


FIG. 7

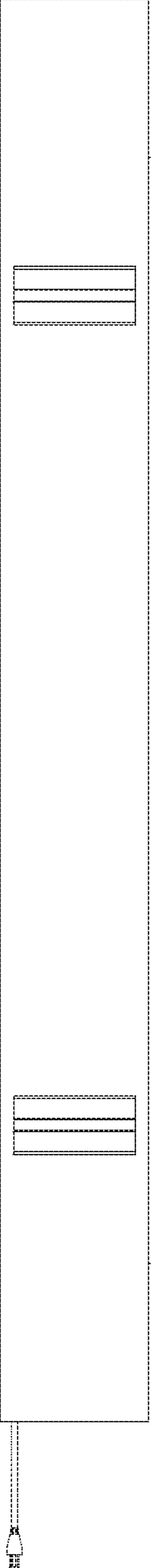


FIG. 8

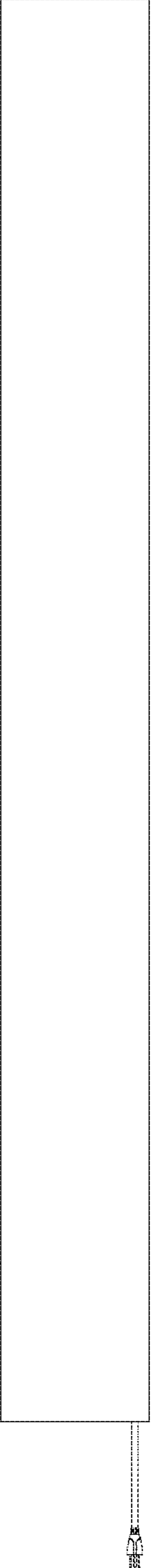


FIG. 10

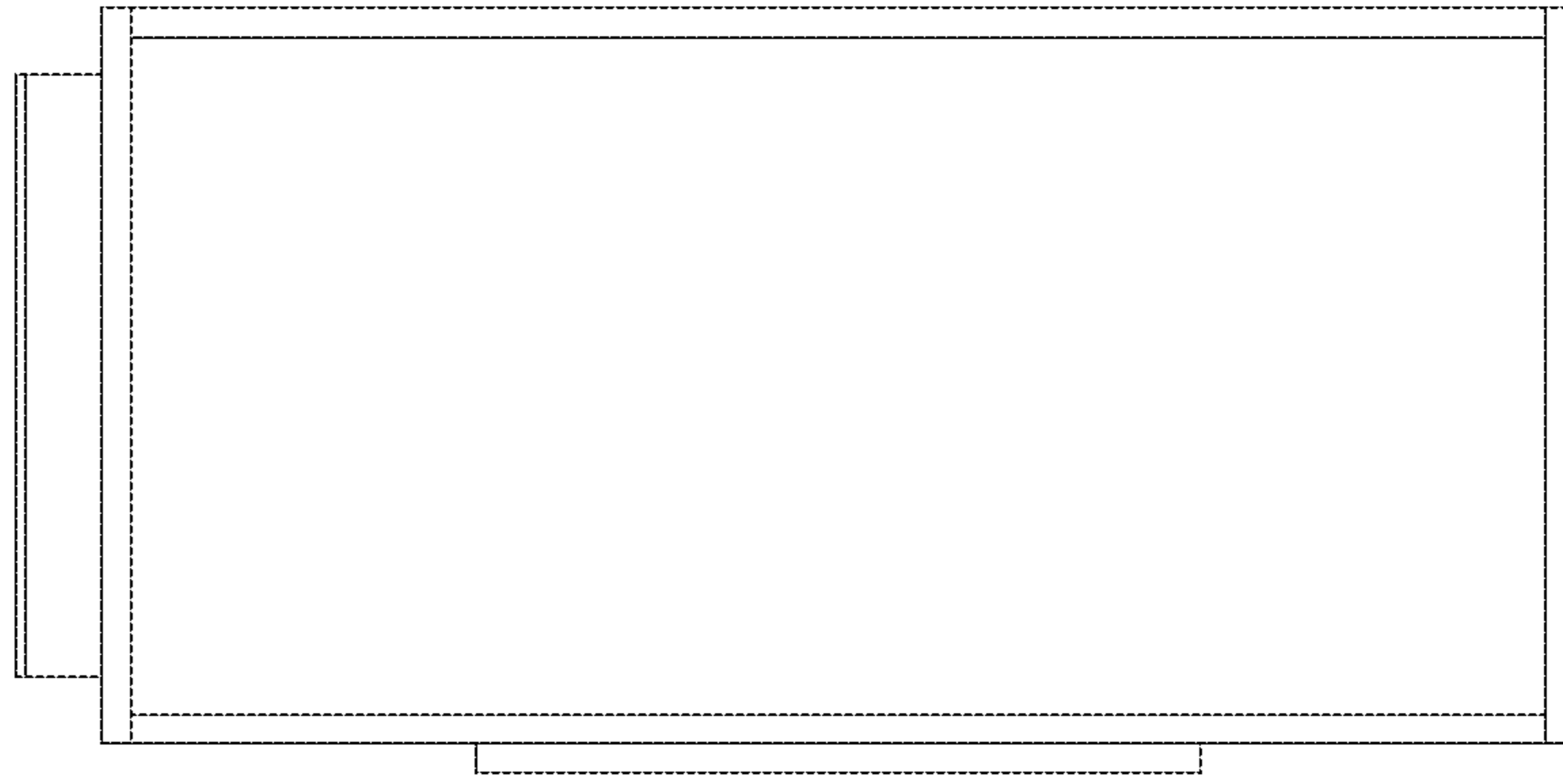
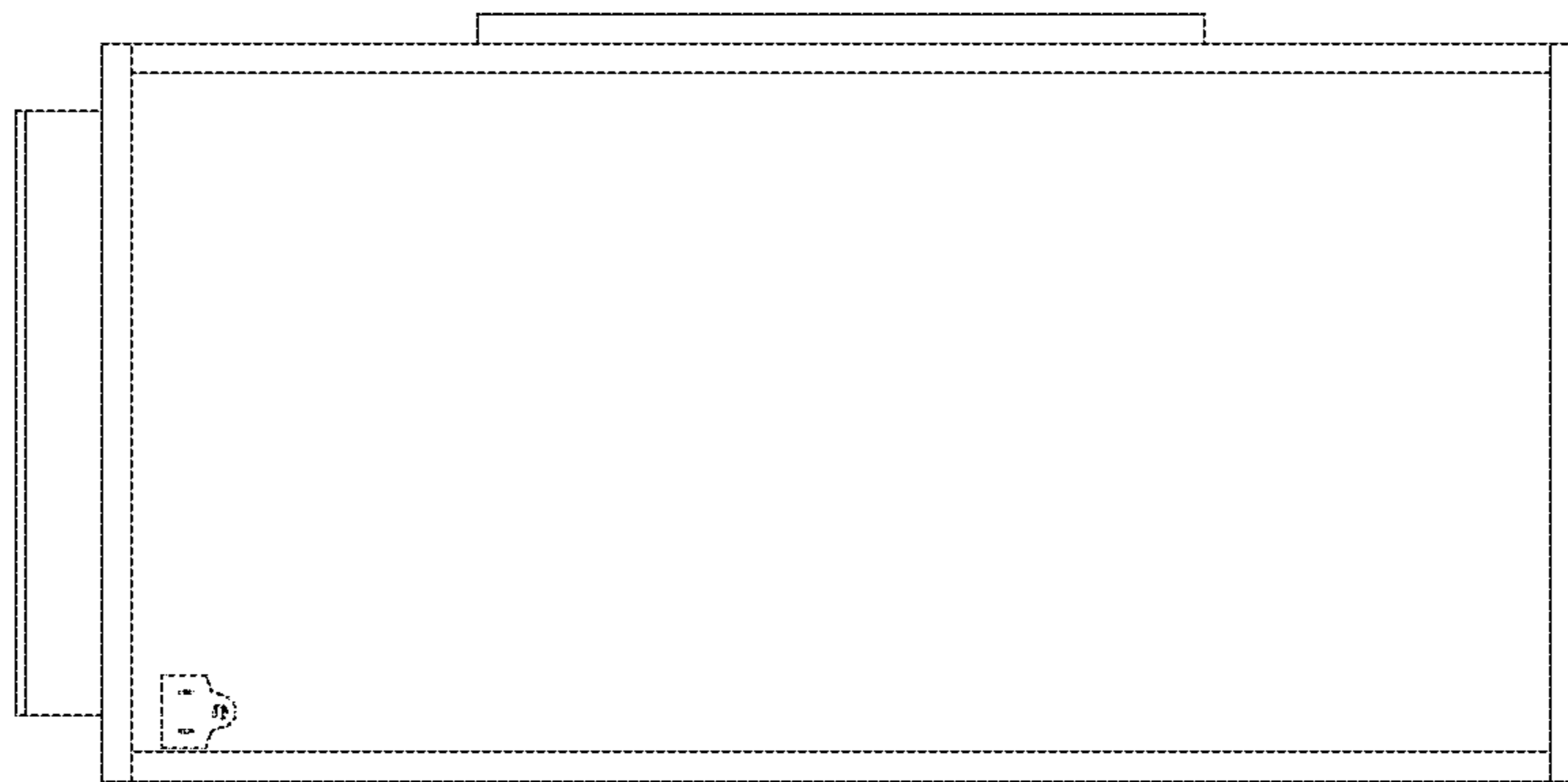


FIG. 9



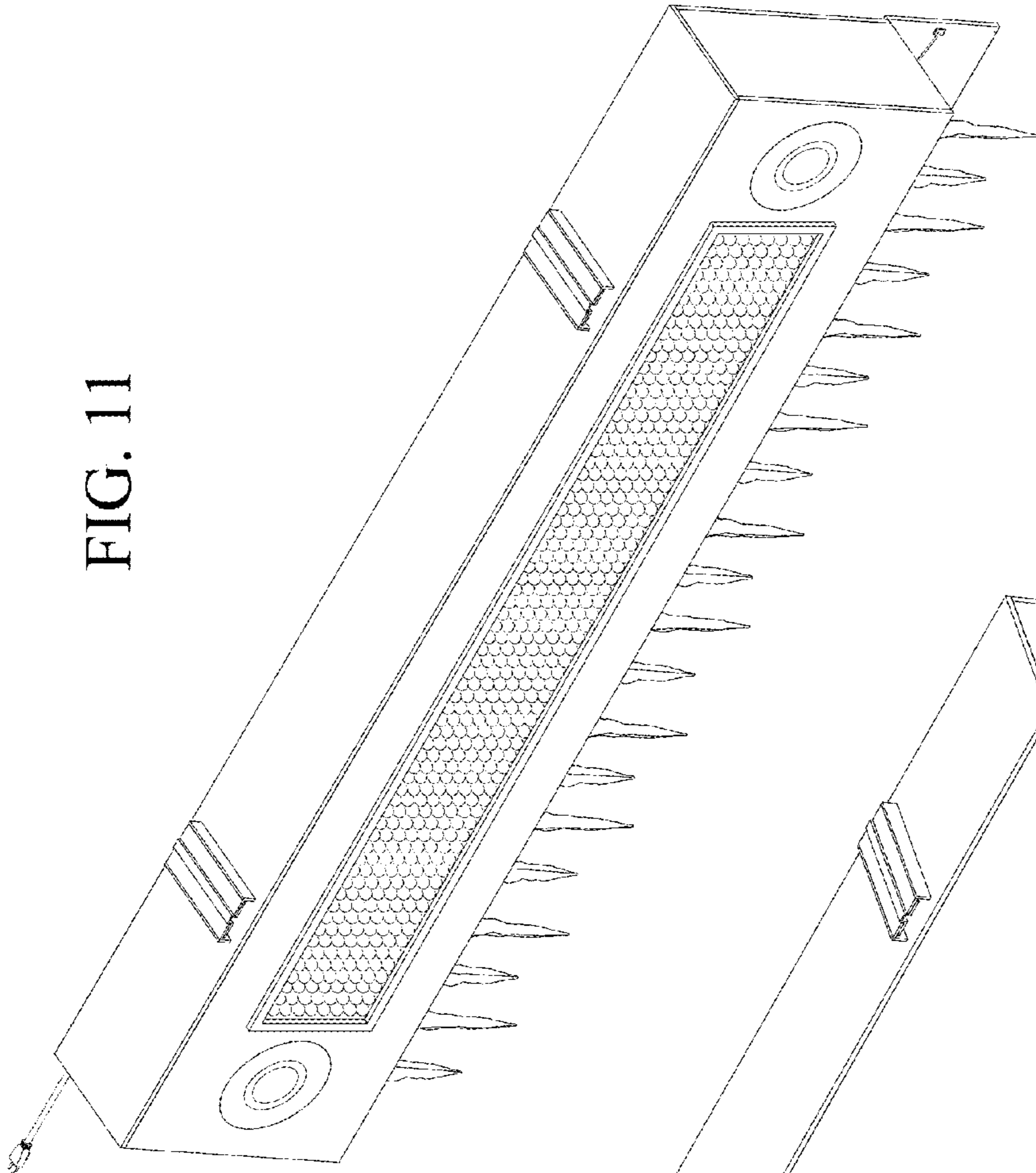


FIG. 11

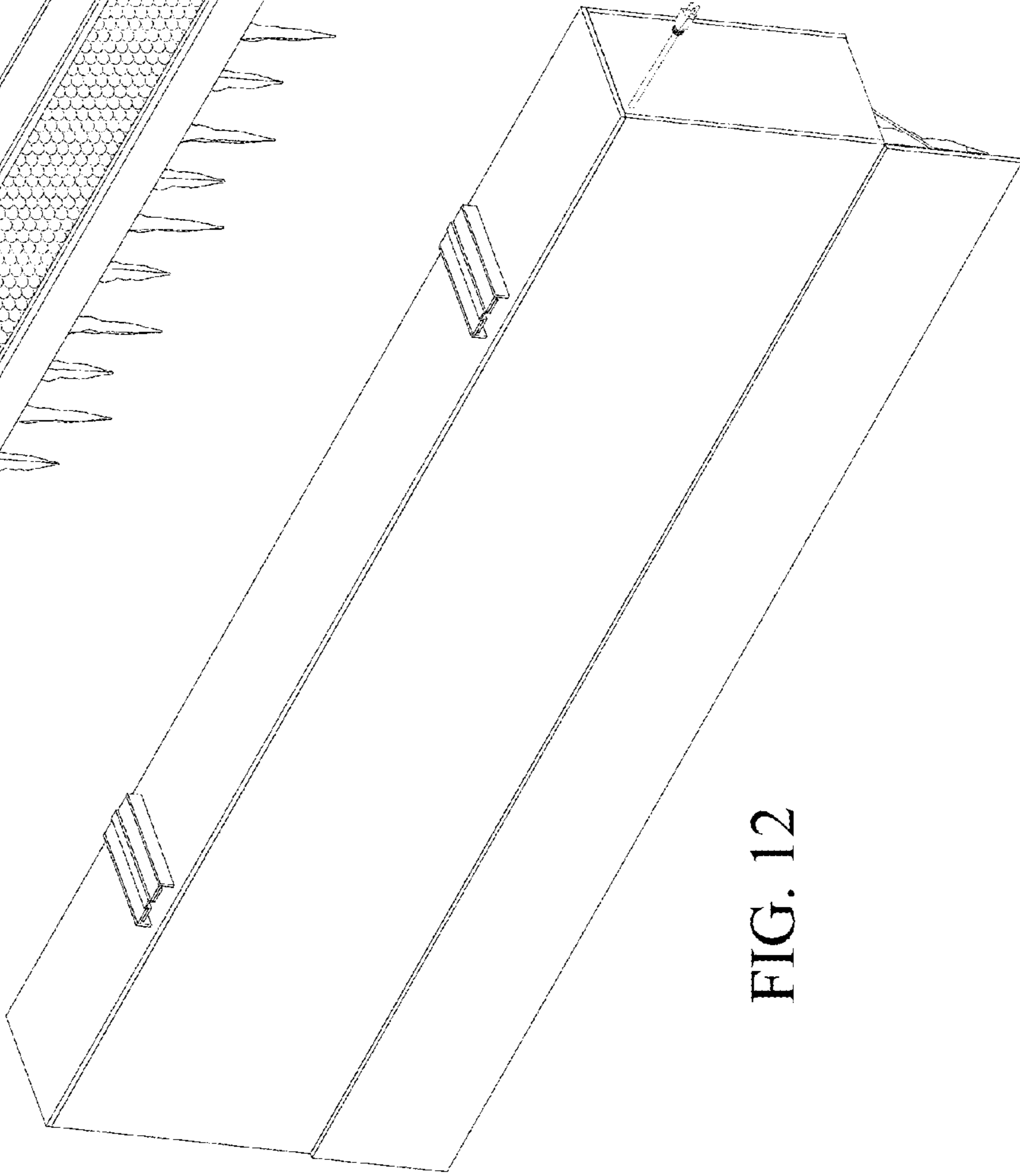


FIG. 12

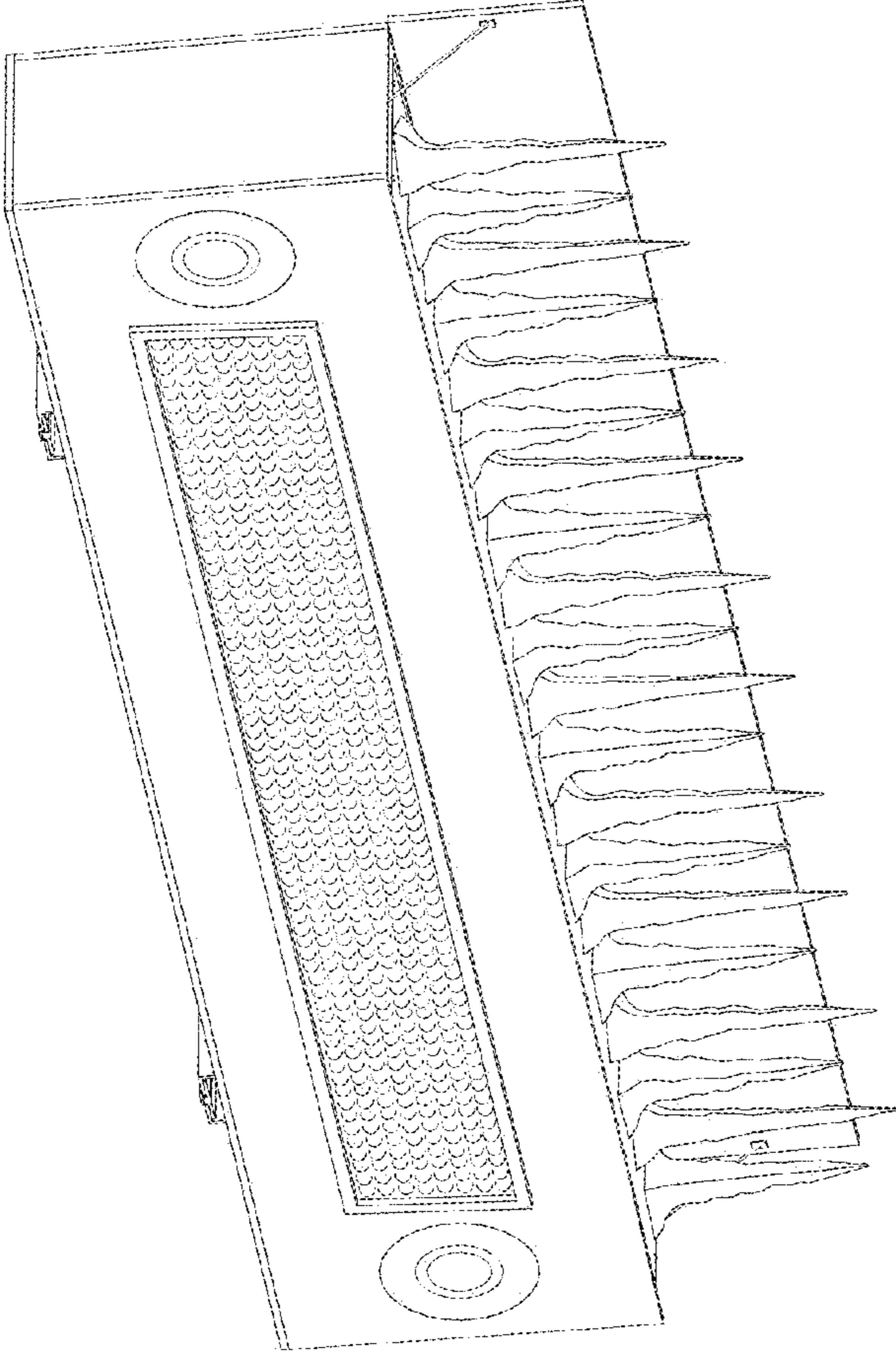


FIG. 13

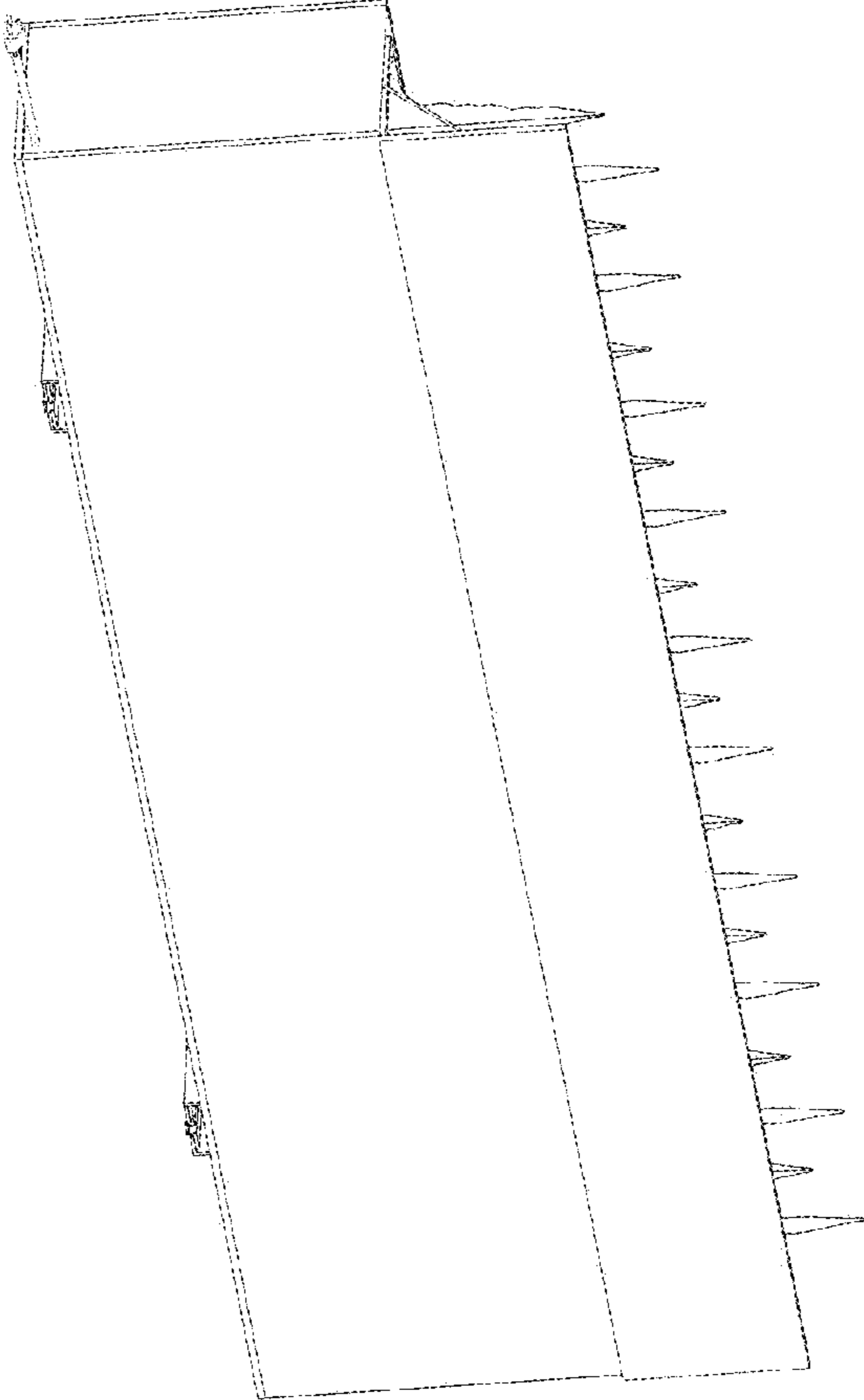


FIG. 14

FIG. 15

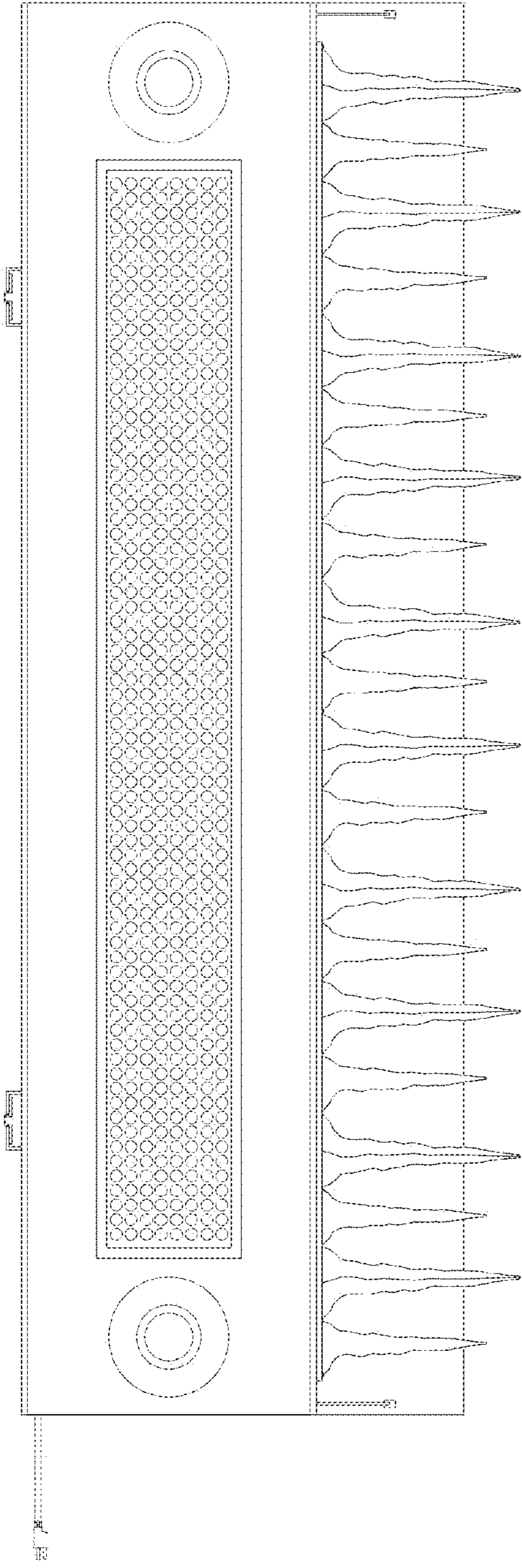


FIG 16

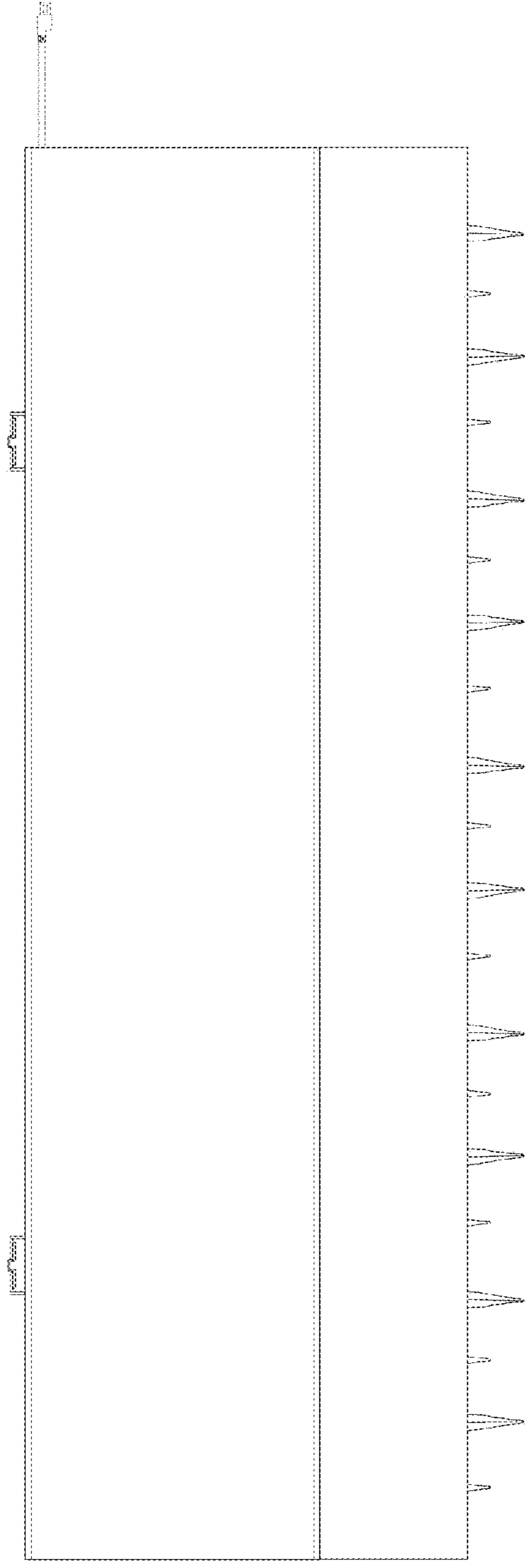


FIG. 17

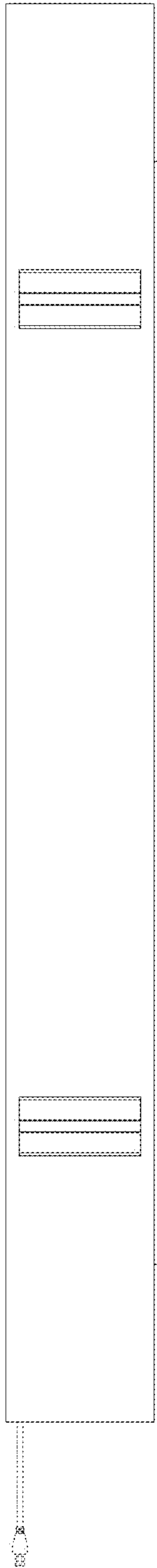


FIG. 18

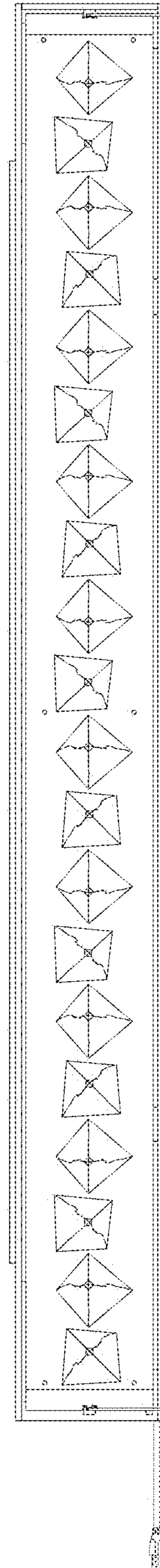


FIG. 20

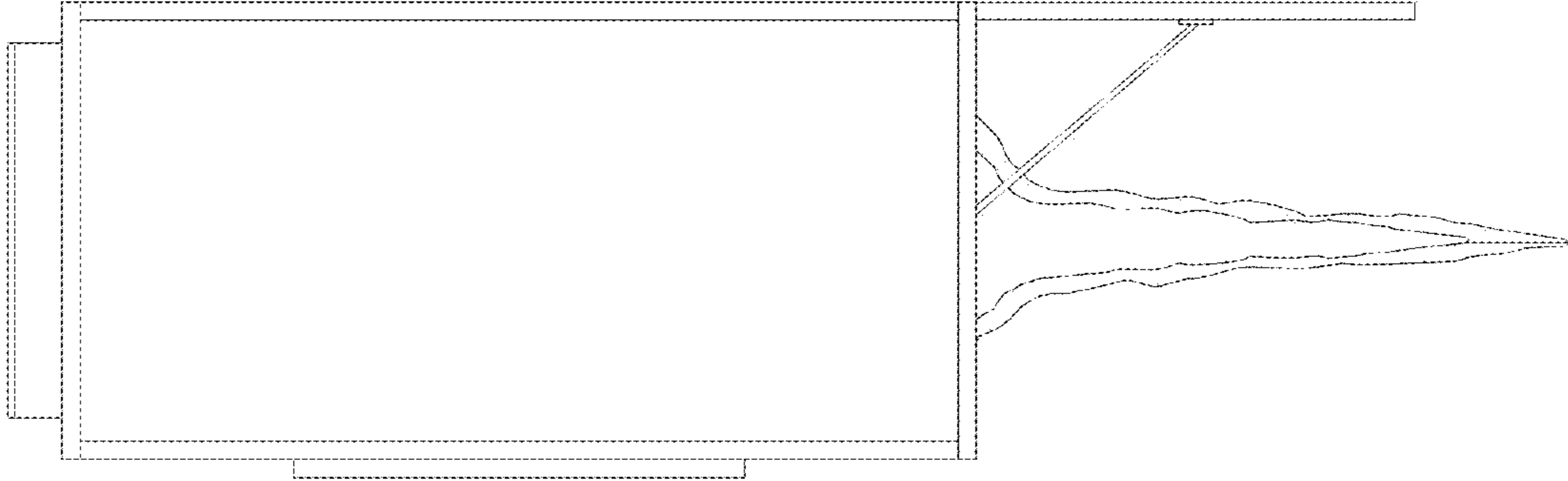


FIG. 19

