



US00D884239S

(12) **United States Design Patent**  
**Niemiec et al.**

(10) **Patent No.:** **US D884,239 S**

(45) **Date of Patent:** **\*\* May 12, 2020**

(54) **COMBINED FAN AND LED LIGHT FIXTURE**

(71) Applicants: **Darrin Walter Niemiec**, Schaumburg, IL (US); **William J. Carlson**, Schaumburg, IL (US)

(72) Inventors: **Darrin Walter Niemiec**, Schaumburg, IL (US); **William J. Carlson**, Schaumburg, IL (US)

(73) Assignee: **WLC Enterprises, Inc.**, Schaumburg, IL (US)

(\*\*) Term: **15 Years**

(21) Appl. No.: **29/603,246**

(22) Filed: **May 8, 2017**

(51) **LOC (12) Cl.** ..... **26-05**

(52) **U.S. Cl.**  
USPC ..... **D26/59**

(58) **Field of Classification Search**  
USPC ..... D23/328, 370, 372, 377, 381, 382, 385;  
D26/24, 51, 59, 62, 63, 72, 76, 77, 78,  
D26/88, 128-138

CPC ..... F24F 13/078; F04D 25/088; E04B 9/02;  
F21V 29/503; F21V 29/673

See application file for complete search history.

(56) **References Cited**

**U.S. PATENT DOCUMENTS**

D208,572 S *	9/1967	Wakefield	.....	D26/76
D393,734 S *	4/1998	Casteel	.....	D26/76
D604,002 S *	11/2009	Santoro	.....	D26/76
D617,489 S *	6/2010	Santoro	.....	D26/76
D662,643 S *	6/2012	Takahashi	.....	D26/76
D697,652 S *	1/2014	Savani	.....	D26/76

D703,858 S *	4/2014	Miller	.....	D26/76
D747,529 S *	1/2016	Yoon	.....	D26/74
D792,628 S *	7/2017	Stromborg	.....	D26/76
D802,820 S *	11/2017	Stromborg	.....	D26/76
D807,557 S *	1/2018	Stromborg	.....	D26/74
D820,497 S *	6/2018	Agro	.....	D26/76
2019/0072288 A1 *	3/2019	Niemiec	.....	E04B 9/02

\* cited by examiner

*Primary Examiner* — Sheryl Lane

*Assistant Examiner* — Calvin E Vansant

(74) *Attorney, Agent, or Firm* — Vitale, Vickrey, Niro, Solon & Gasey LLP

(57) **CLAIM**

The ornamental design of a combined fan and LED light fixture, as shown and described.

**DESCRIPTION**

FIG. 1 is a perspective view of the bottom of the combined fan and LED light fixture;

FIG. 2 is a bottom view of the combined fan and LED light fixture;

FIG. 3 is a perspective view of the top of the combined fan and LED light fixture;

FIG. 4 is a perspective view of the top of the combined fan and LED light fixture, with call outs of the comers thereof;

FIG. 5 is a call out of a first comer thereof;

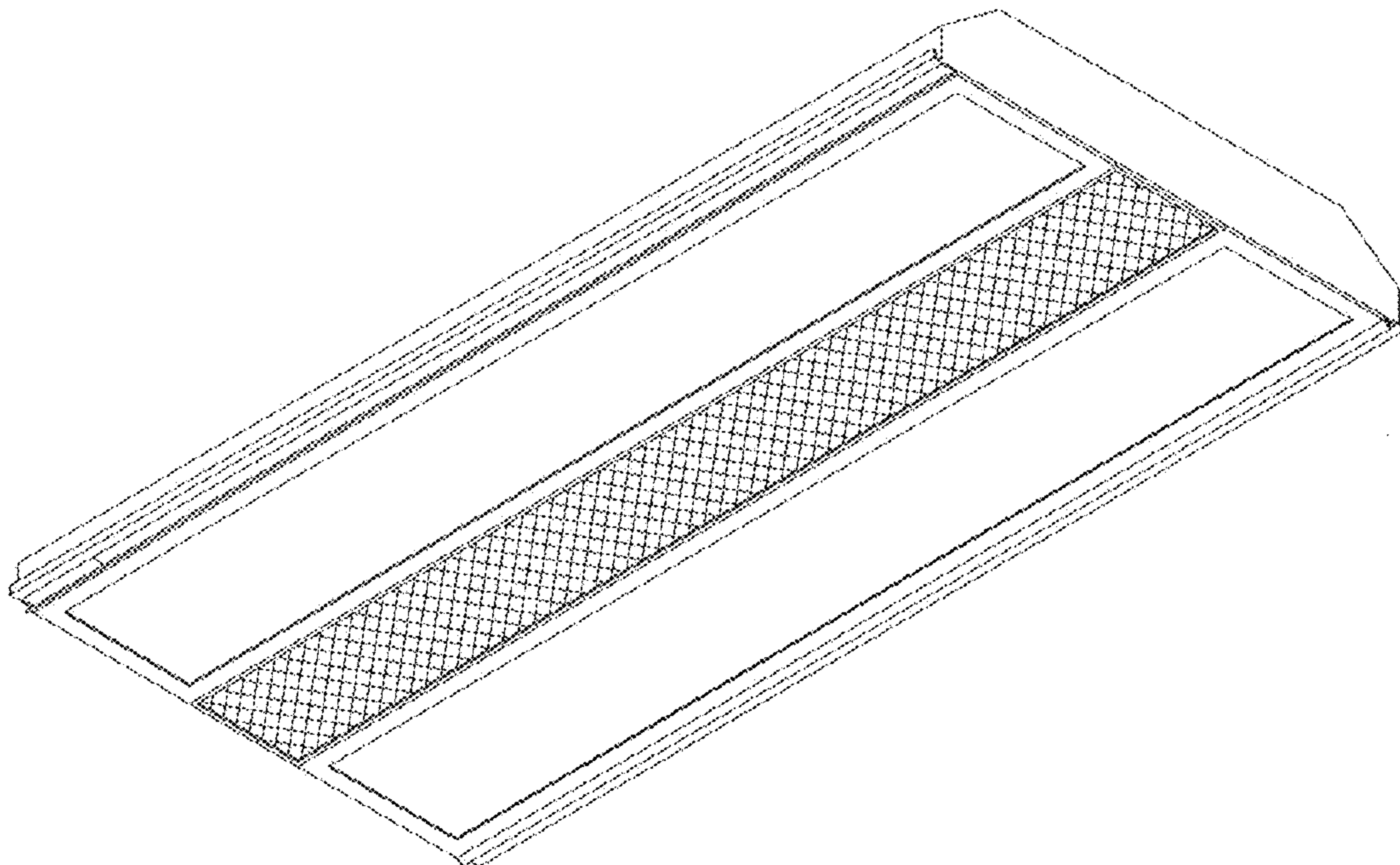
FIG. 6 is a call out of a second comer thereof;

FIG. 7 is a top view of the combined fan and LED light fixture; and,

FIG. 8 is a side view of the combined fan and LED light fixture.

In the enlarged view of the drawings, the dashed broken lines define the boundary of the claimed design and form no part of the claim.

**1 Claim, 6 Drawing Sheets**



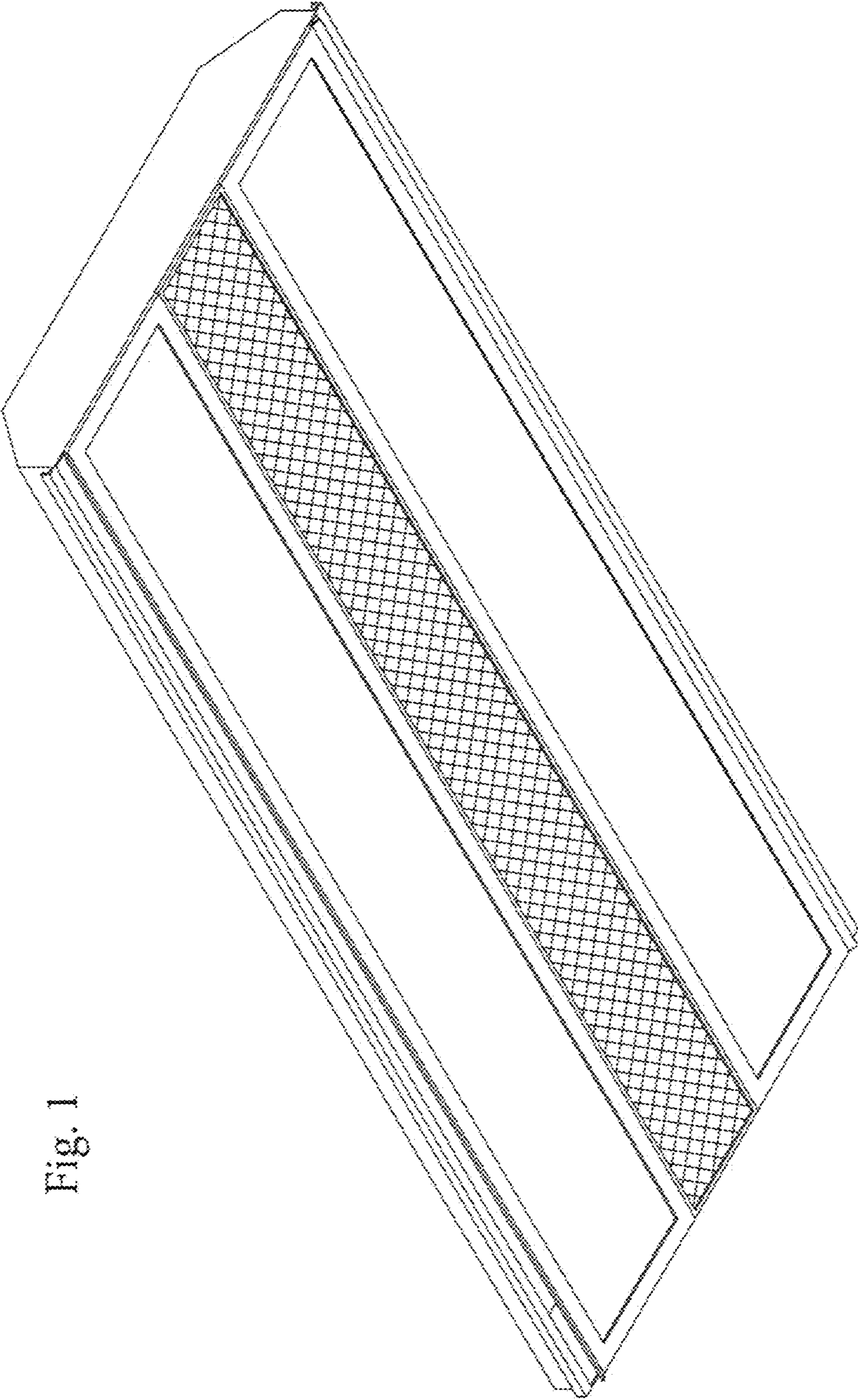
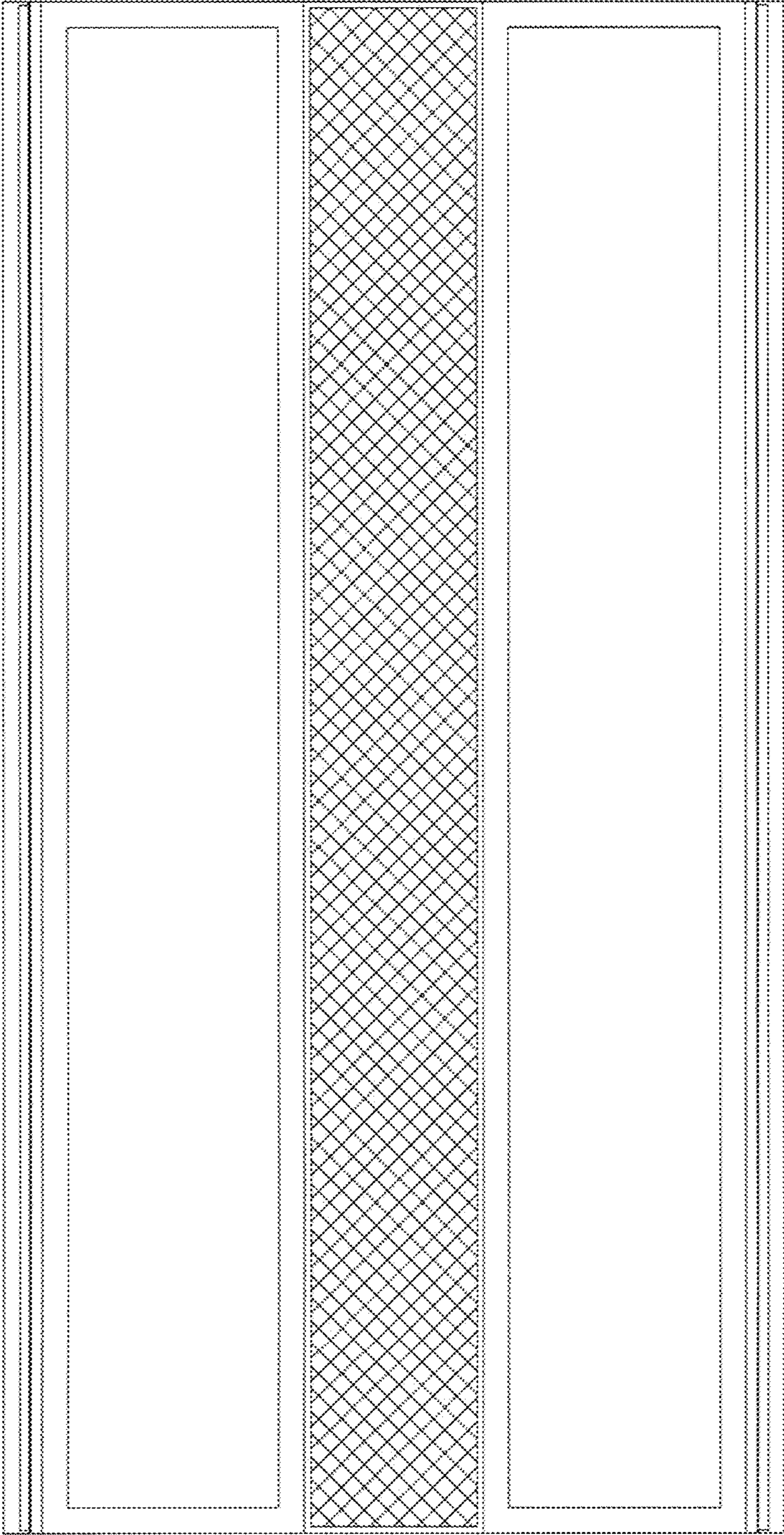


Fig. 1

Fig. 2



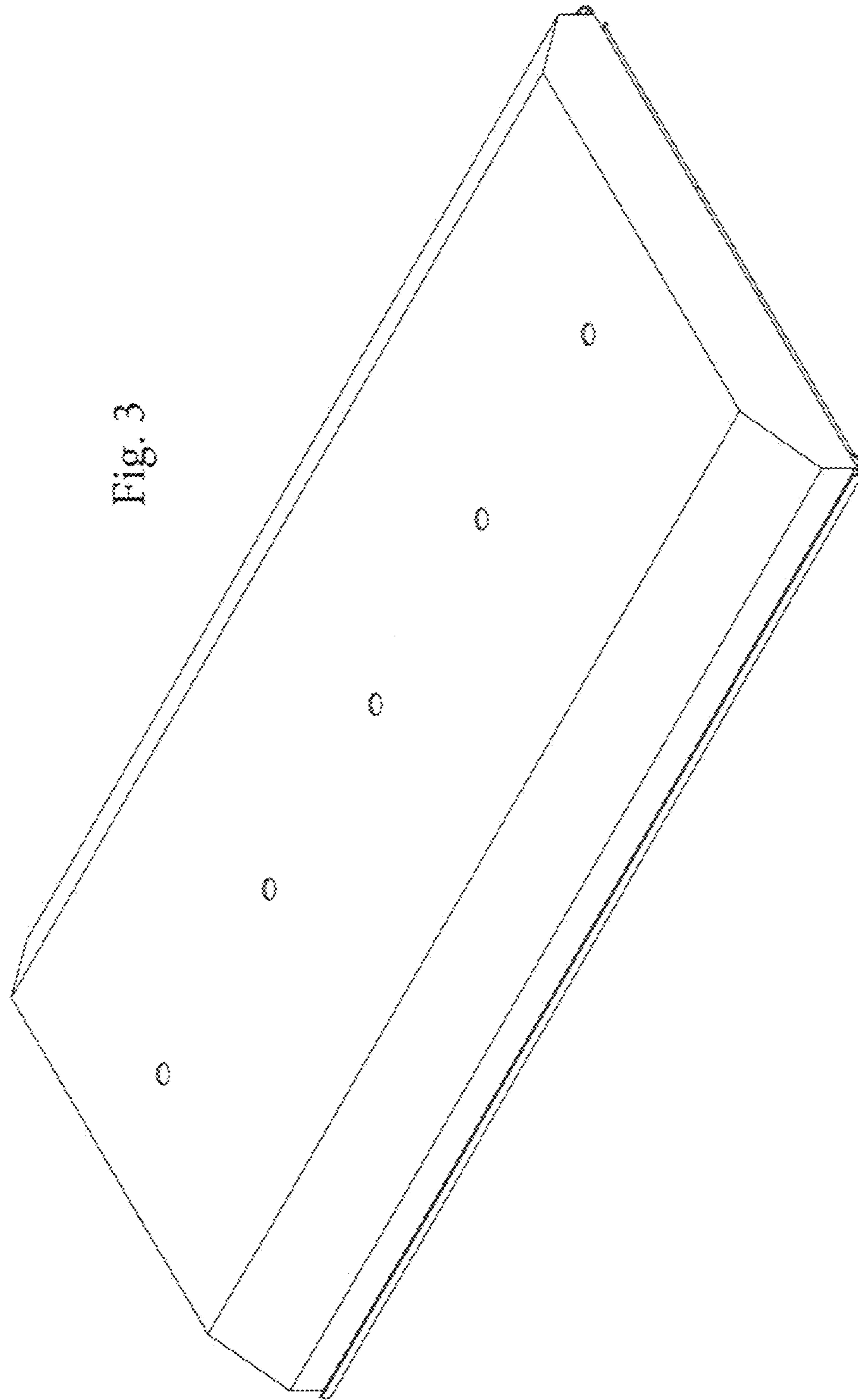


Fig. 3

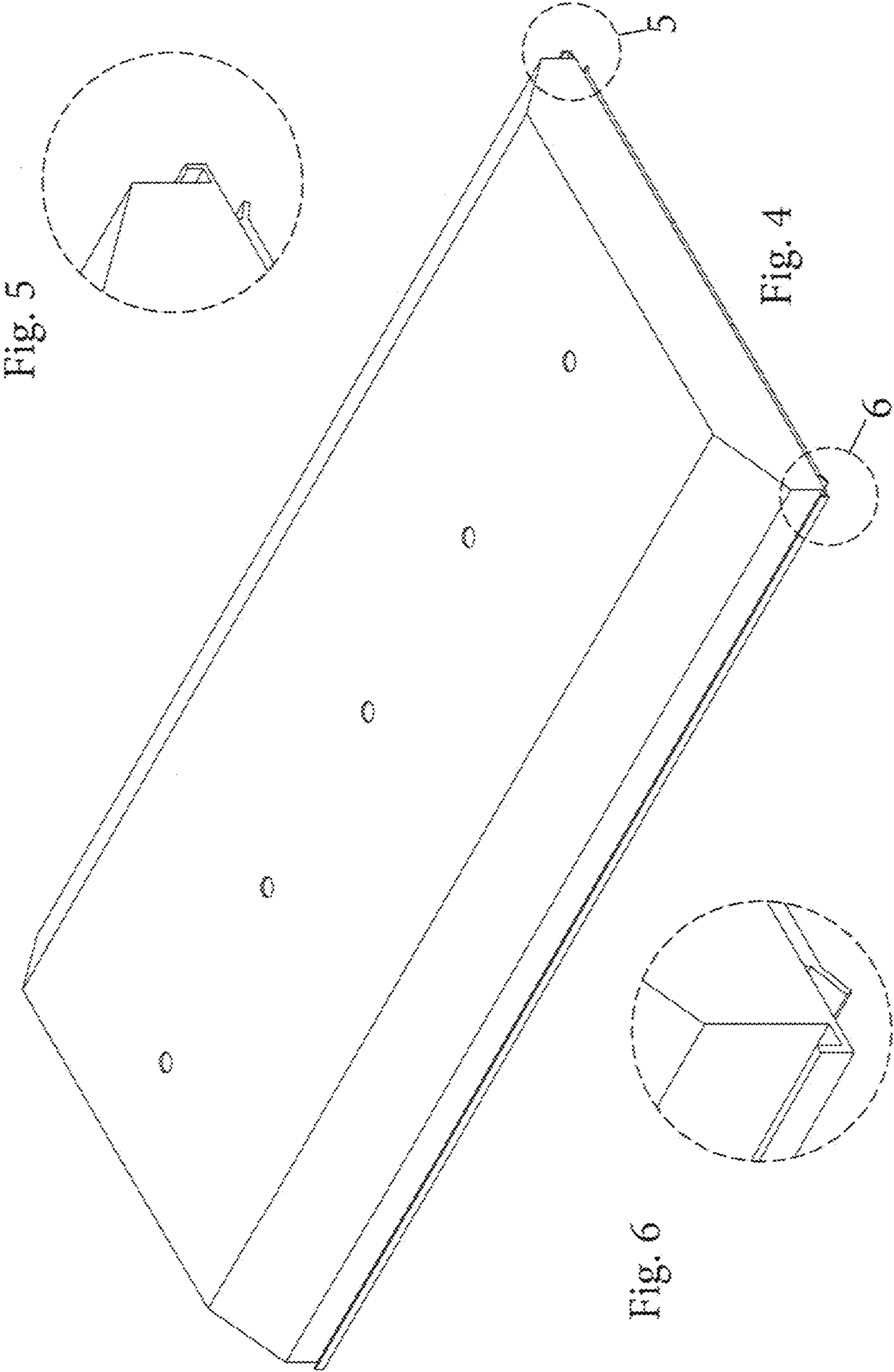


Fig. 5

Fig. 4

Fig. 6

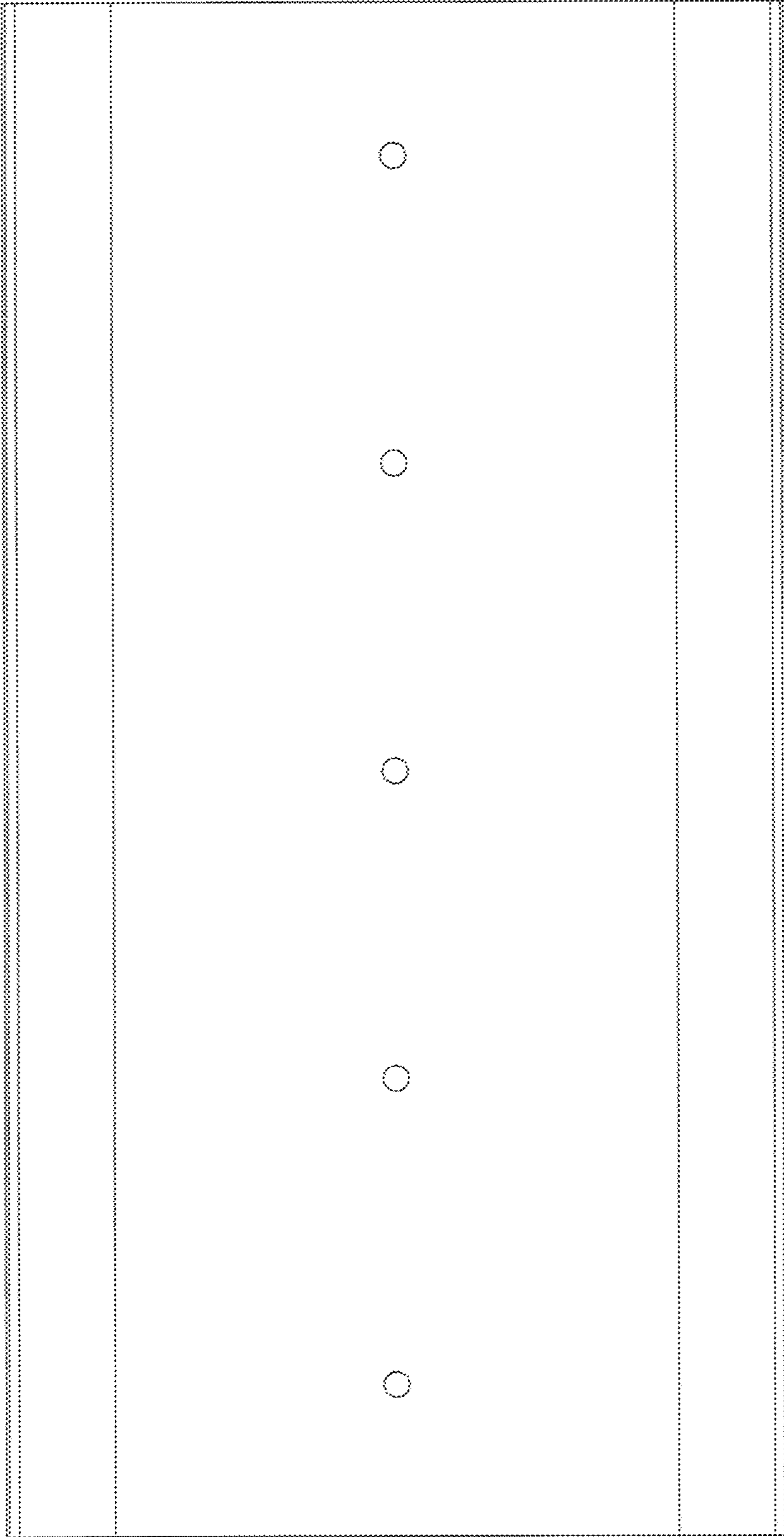


Fig. 7

Fig. 8

