



US00D884238S

(12) **United States Design Patent**
Thatcher

(10) **Patent No.:** **US D884,238 S**

(45) **Date of Patent:** **** May 12, 2020**

(54) **WAIST LIGHT**

(71) Applicant: **Bryce Thatcher**, St. George, UT (US)

(72) Inventor: **Bryce Thatcher**, St. George, UT (US)

(**) Term: **15 Years**

(21) Appl. No.: **29/670,884**

(22) Filed: **Nov. 20, 2018**

(51) **LOC (12) Cl.** **26-02**

(52) **U.S. Cl.**
USPC **D26/39**

(58) **Field of Classification Search**

USPC D26/1, 24, 25, 43, 60, 110, 113, 28, 37,
D26/61, 85, 102, 138-140; 362/249.14,
362/311.02, 311.13

CPC F21S 4/00; F21S 4/10; F21S 4/15; F21S
4/26; F21S 4/005; F21S 4/025; F21S
4/027; F21S 4/04; F21S 2/00; F21V
11/02; F21V 11/06; F21V 17/10; F21V
17/16; F21V 21/0296; F21V 21/0054;
F21V 21/008; F21V 21/00; F21V 21/08;
F21V 23/00; F21V 23/04; F21V 33/00;
F21W 2121/00; F21W 2121/04; F21Y
2115/10; F21L 4/00; F21L 4/02; F21L
4/04; F21L 4/08; F21L 13/00; F21L 13/08

See application file for complete search history.

(56) **References Cited**

U.S. PATENT DOCUMENTS

D729,426 S * 5/2015 Dalton D26/39
D733,951 S * 7/2015 Kent D26/39
D810,336 S * 2/2018 Green D26/39

* cited by examiner

Primary Examiner — Abraham Bahta

(74) *Attorney, Agent, or Firm* — Gurr Brande &
Spendlove, PLLC; Robert A. Gurr

(57) **CLAIM**

The ornamental design for a waist light, as shown and described.

DESCRIPTION

FIG. 1 is a perspective view of the waist light;
FIG. 2 is a top plan view of the waist light;
FIG. 3 is a front elevation view of the waist light;
FIG. 4 is a back elevation view of the waist light;
FIG. 5 is a bottom plan view of waist light;
FIG. 6 is a left side elevation view of the waist light; and,
FIG. 7 is a right side elevation view of the waist light.

1 Claim, 4 Drawing Sheets

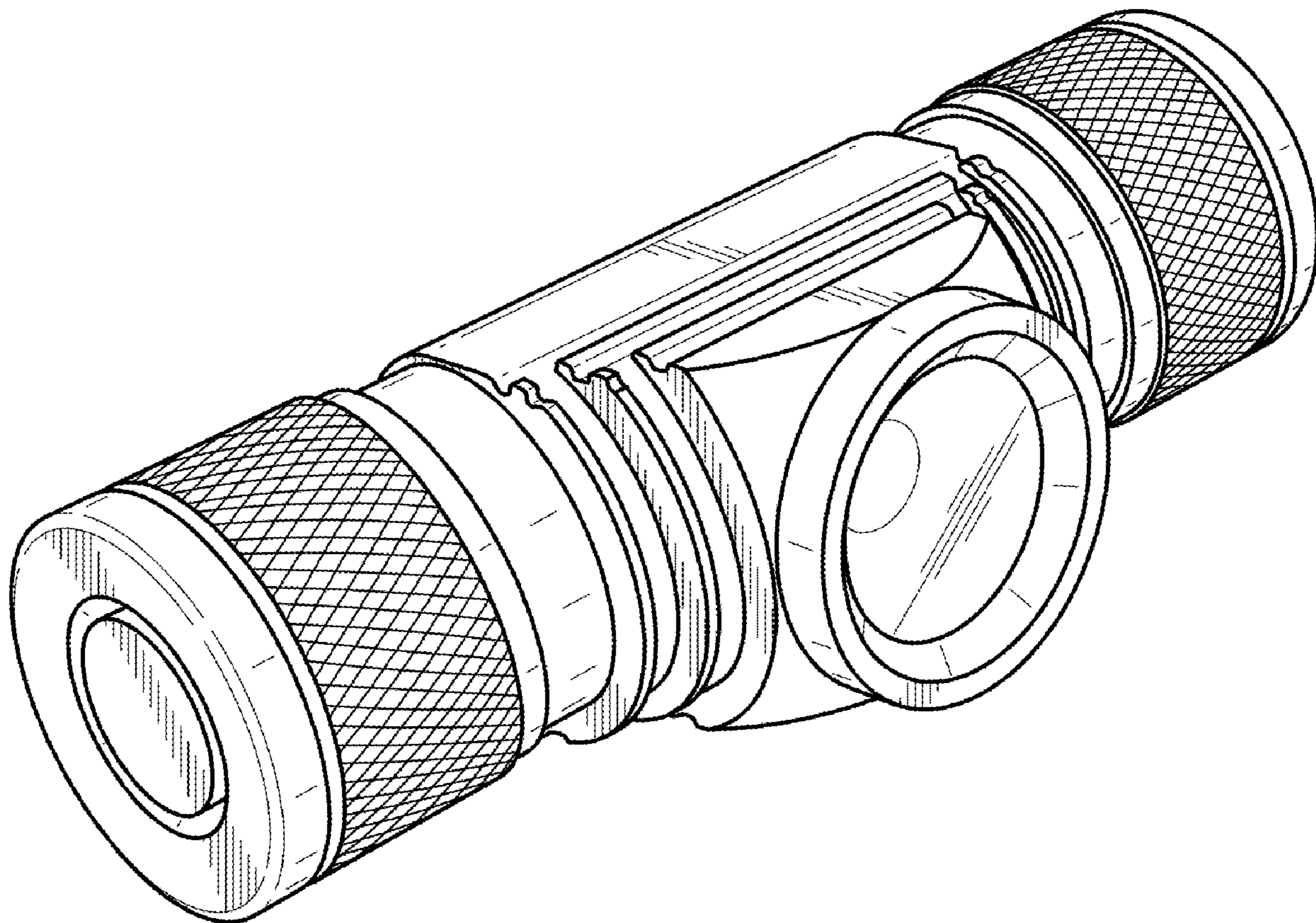
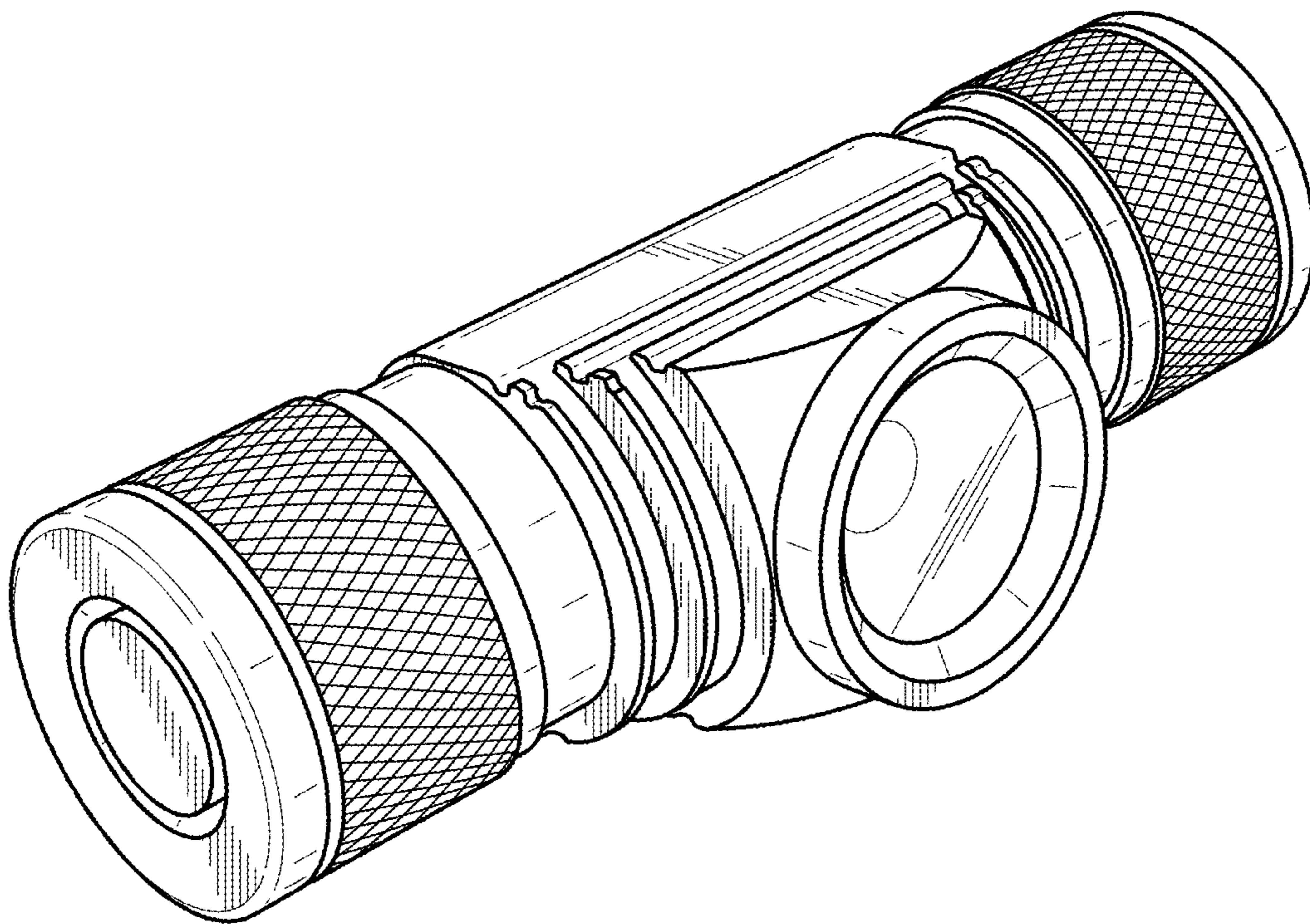


FIG. 1



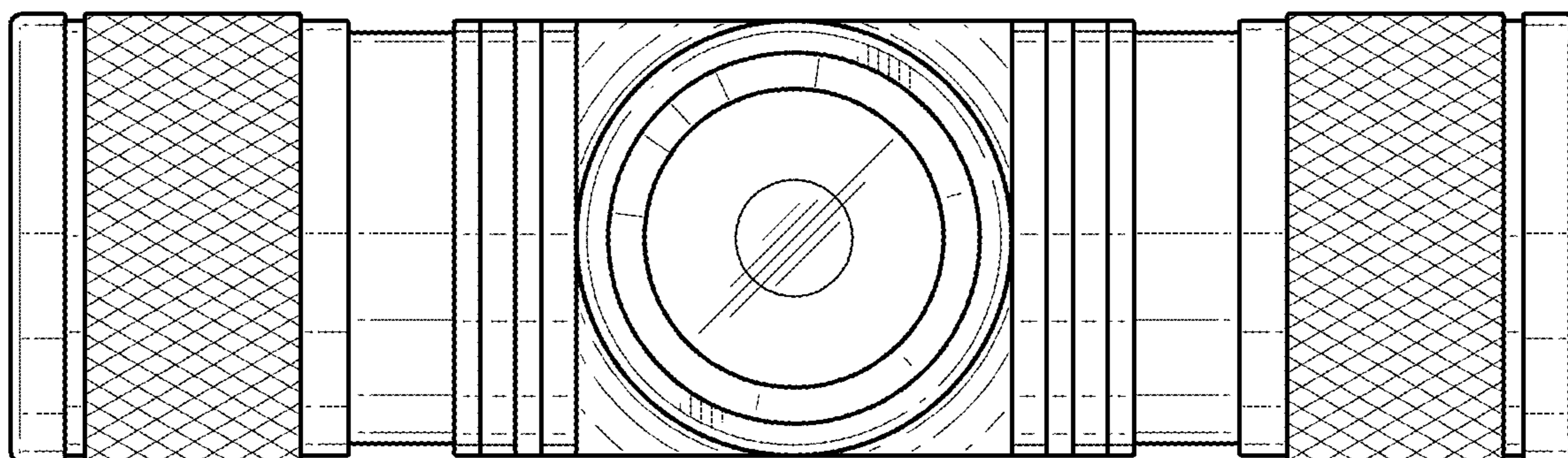


FIG. 2

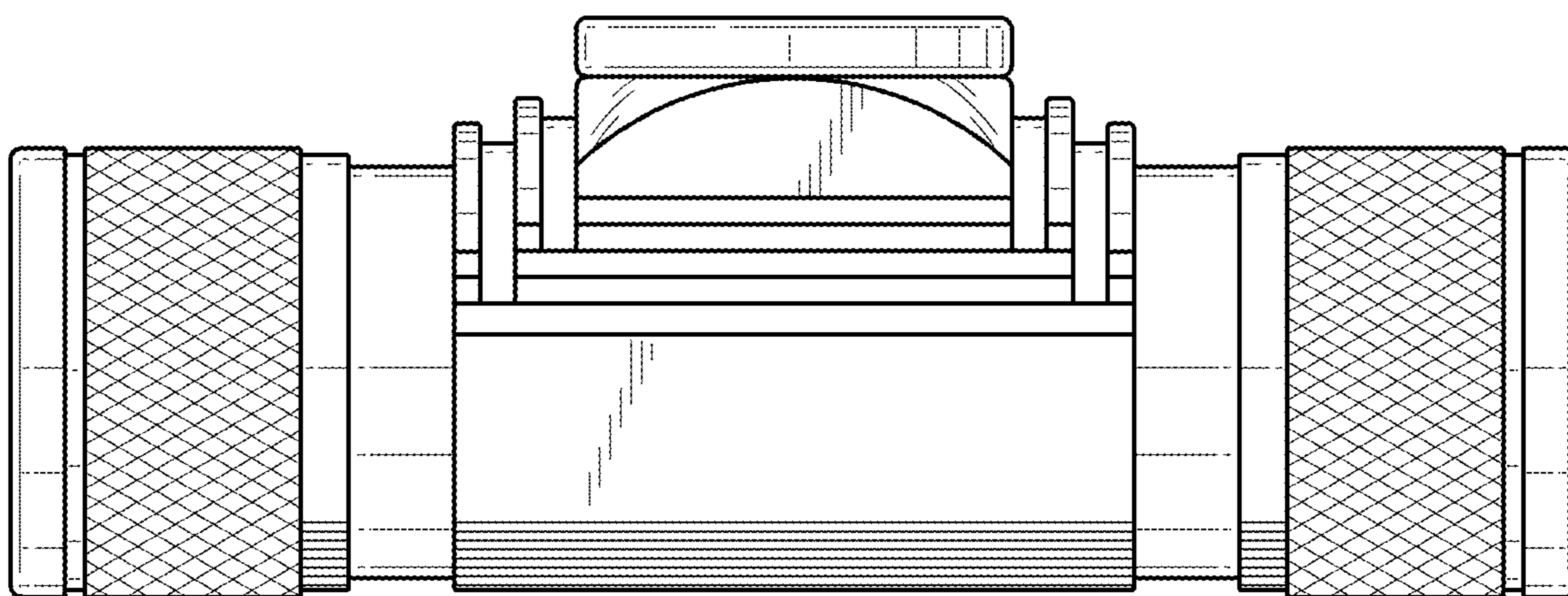


FIG. 3

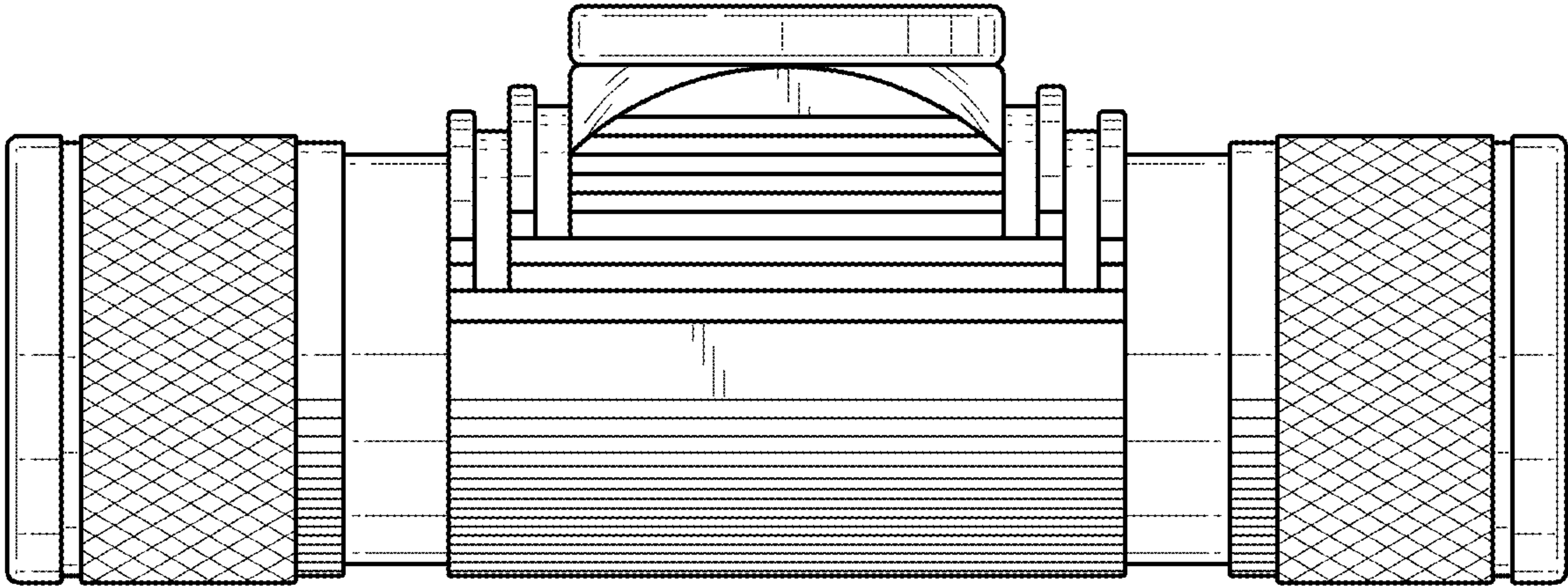


FIG. 4

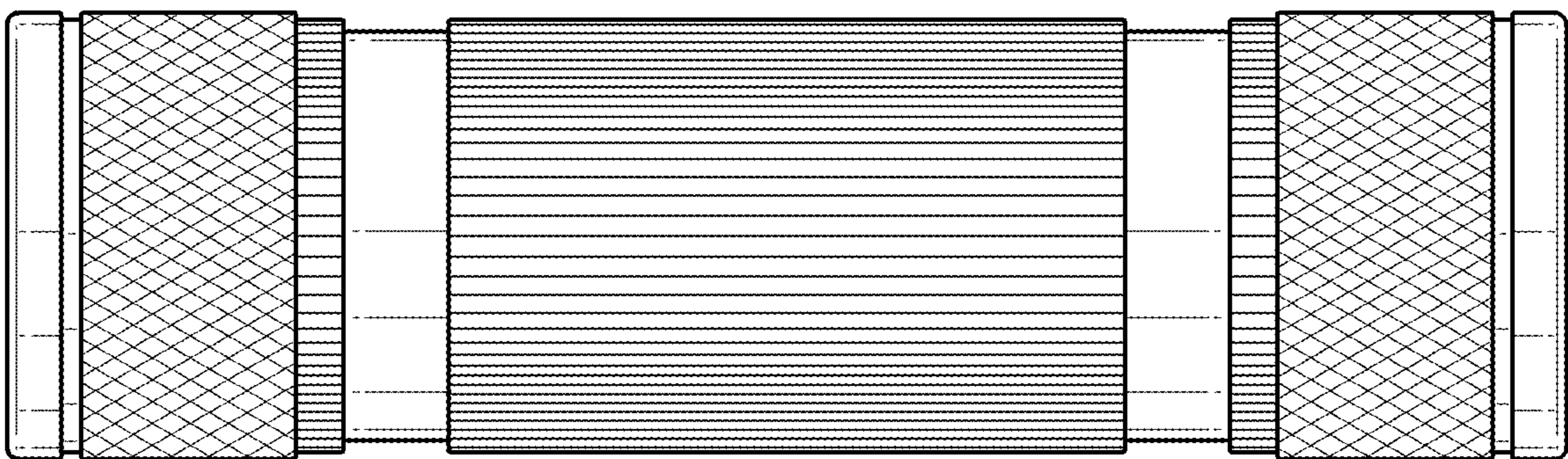


FIG. 5

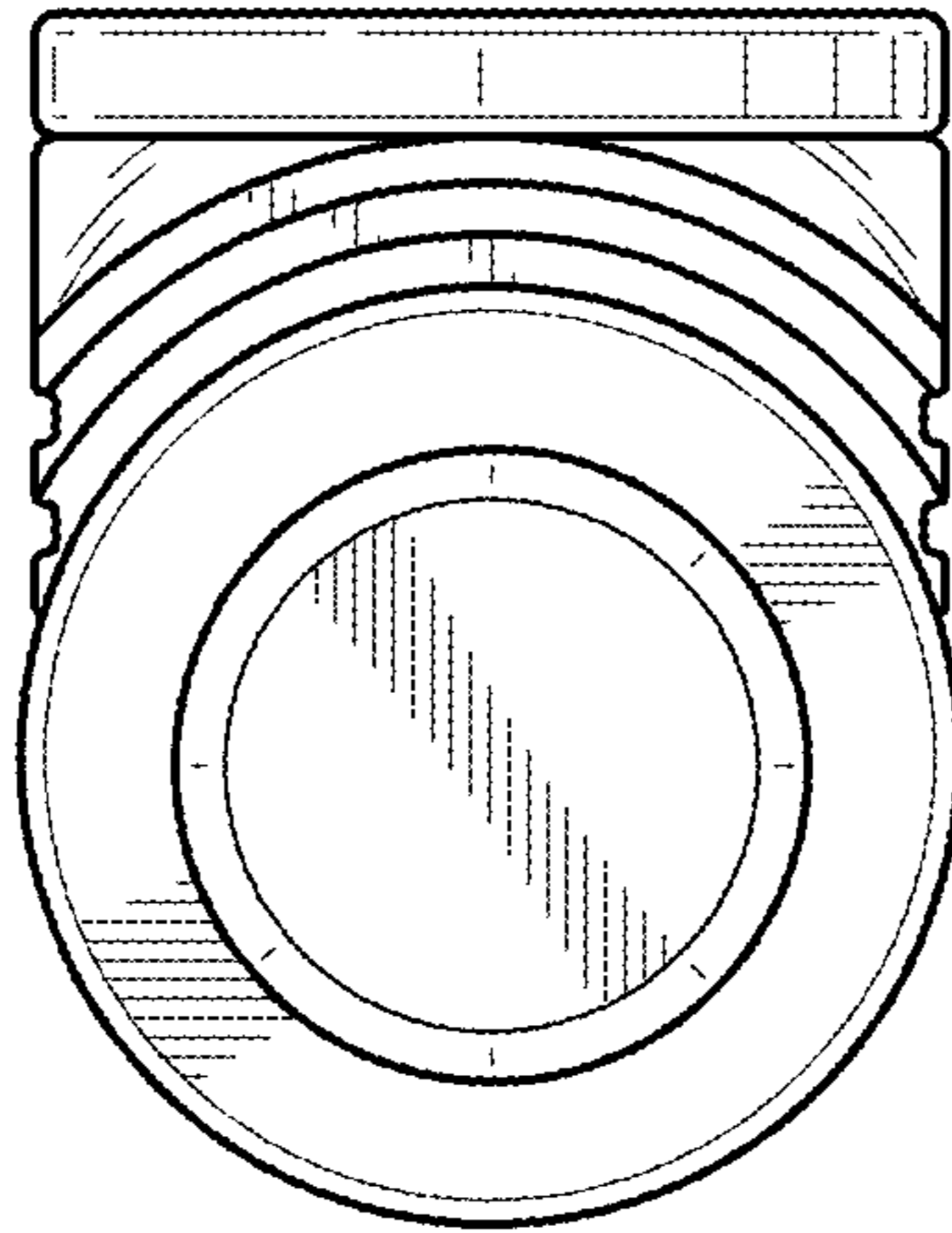


FIG. 6

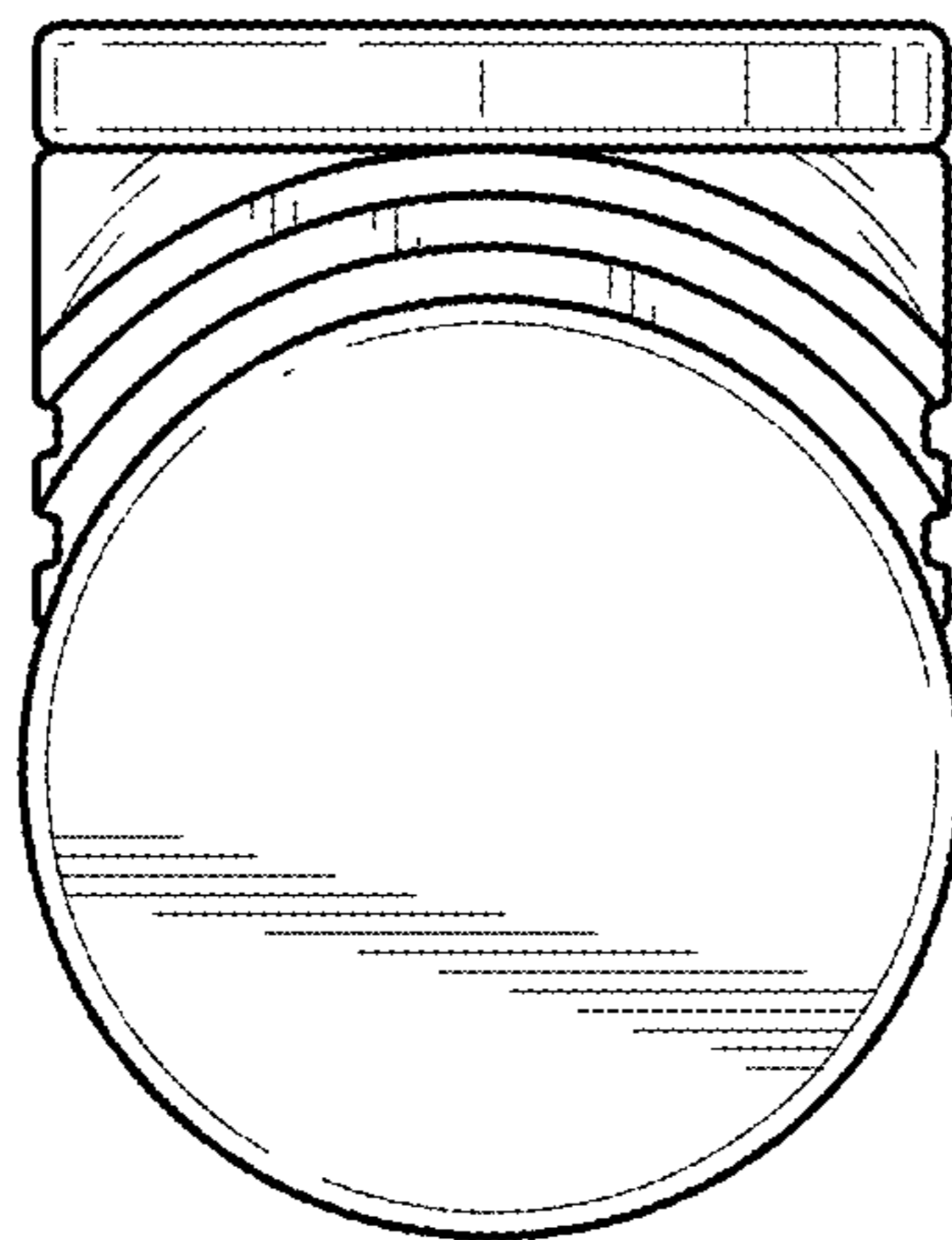


FIG. 7