



US00D884237S

(12) **United States Design Patent** (10) **Patent No.:** **US D884,237 S**  
**Sharrah et al.** (45) **Date of Patent:** **\*\* May 12, 2020**

(54) **LIGHTING DEVICE**

(71) Applicant: **Streamlight, Inc.**, Eagleville, PA (US)

(72) Inventors: **Raymond L. Sharrah**, Collegeville, PA (US); **Cleatis Eichelberger**, East Norriton, PA (US); **Gregory A. Roshak**, Norristown, PA (US)

(73) Assignee: **Streamlight, Inc.**, Eagleville, PA (US)

(\*\*) Term: **15 Years**

(21) Appl. No.: **29/667,275**

(22) Filed: **Oct. 19, 2018**

(51) **LOC (12) Cl.** ..... **26-02**

(52) **U.S. Cl.**  
USPC ..... **D26/39**

(58) **Field of Classification Search**  
USPC ..... D26/1, 24, 25, 43, 60, 110, 113, 28, 37, D26/61, 85, 102, 138-140; 362/249.14, 362/311.02, 311.13

CPC ..... F21S 4/00; F21S 4/10; F21S 4/15; F21S 4/26; F21S 2/00; F21V 11/02; F21V 11/06; F21V 17/10; F21V 17/16; F21V 21/0296; F21V 21/0054; F21V 21/008; F21V 21/00; F21V 21/08; F21V 23/00; F21V 23/04; F21V 33/00; F21W 2121/00; F21W 2121/04; F21Y 2115/10; F21L 4/00; F21L 4/02; F21L 4/04; F21L 4/08  
See application file for complete search history.

(56) **References Cited**

**U.S. PATENT DOCUMENTS**

D465,043 S \* 10/2002 Halasz ..... D26/39  
D553,277 S \* 10/2007 Ho ..... D26/39  
D729,426 S \* 5/2015 Dalton ..... D26/39

D733,951 S 7/2015 Kent  
D750,823 S 3/2016 Sharrah et al.  
D770,143 S 11/2016 Waters  
D869,034 S \* 12/2019 Eichelberger ..... D26/39  
2015/0198313 A1 7/2015 Rementer

**OTHER PUBLICATIONS**

PB0CC1N001 LED Bike Light [online]. [Retrieved on Oct. 27, 2016] Retrieved from the internet: <<http://www.favourlight.com/products/bike-light/details/pb0cc1n001>>.

H4 Head Lamp [online]. [Retrieved on Oct. 27, 2016] Retrieved from the internet: <<http://www.ledlenserusa.com/h4-153.html#start=7>>.

H05S Active Head Lamp [online]. [Retrieved on Oct. 31, 2016] Retrieved from the internet: <<https://olightworld.com/store/flashlight/headlamps/h05s-active.html>>.

(Continued)

*Primary Examiner* — Abraham Bahta

(74) *Attorney, Agent, or Firm* — Quarles & Brady LLP; James J. Aquilina

(57) **CLAIM**

The ornamental design for a lighting device, as shown and described.

**DESCRIPTION**

FIG. 1 is a front perspective view of a lighting device showing our new design;

FIG. 2 is a front view thereof;

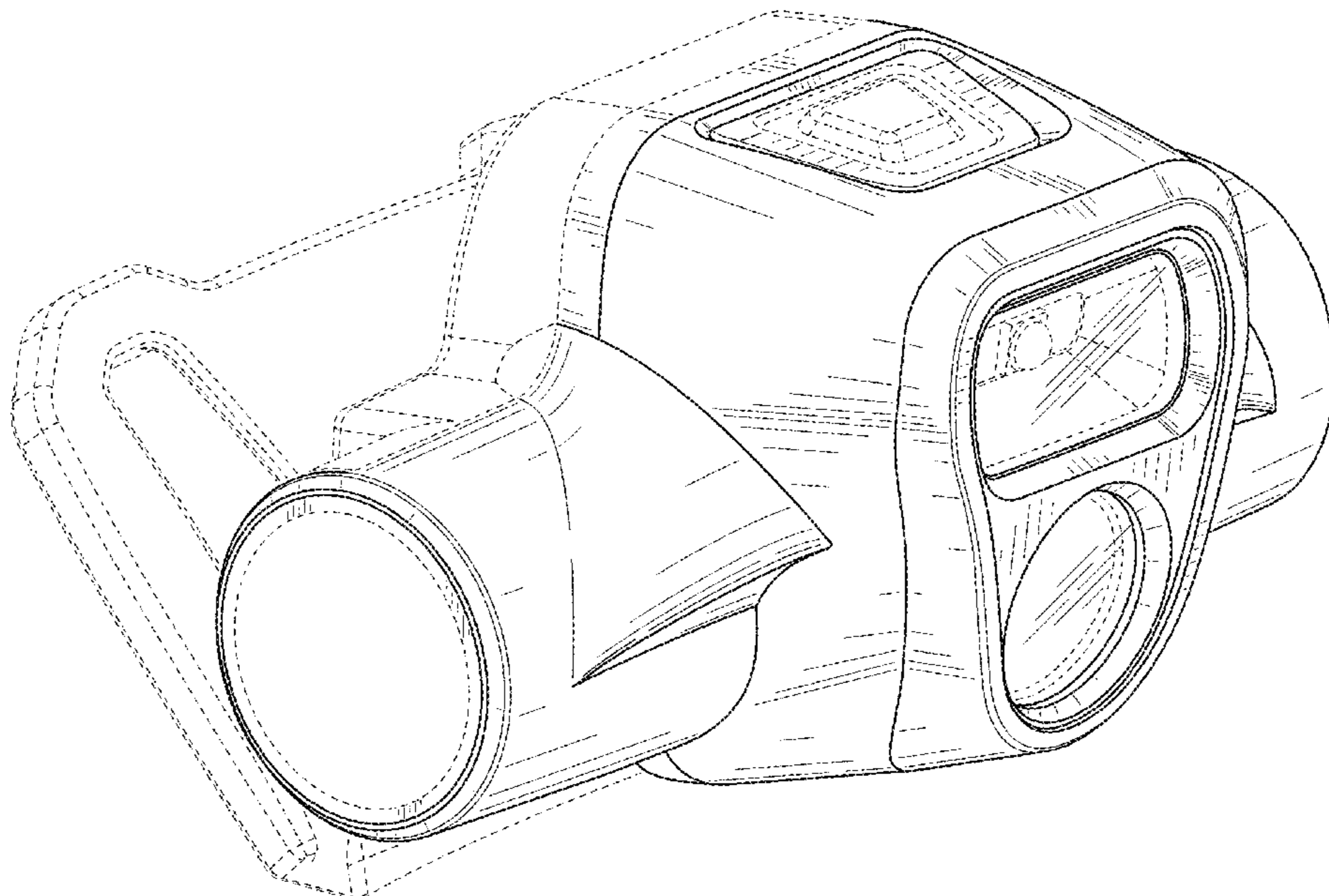
FIG. 3 is a left side view thereof, the right side view being a mirror image thereof;

FIG. 4 is a top view thereof; and,

FIG. 5 is bottom view thereof.

The broken lines in FIGS. 1-5 show unclaimed portions of the lighting device. The rear view is omitted and forms no part of the claimed design. The oblique line shading in FIGS. 1, 2, and 5 shows translucent or transparent materials.

**1 Claim, 4 Drawing Sheets**





(56)

## References Cited

## OTHER PUBLICATIONS

Impulse—Multi-task Light [online]. [Retrieved on Oct. 27, 2016] Retrieved from the internet: <<http://www.princetonotec.com/impulse>>.

H1 Nova Head Lamp [online]. [Retrieved on Oct. 27, 2016] Retrieved from the internet: <<https://olightworld.com/store/flashlight/h1-nova.html>>.

Energizer Vision LED Headlamp [online]. [Retrieved on Oct. 31, 2006] Retrieved from the internet: <<https://www.amazon.com/dp/B00TI8GSHY?psc=1>>.

Explortek Nite-Blazer LED Headlamp with Case [online]. [Retrieved on Oct. 31, 2016] Retrieved from the internet: <<https://www.amazon.com/dp/B0196MEZJY?psc=1>>.

Heimdall LED Headlamp Flashlight [online]. [Retrieved on Oct. 31, 2016] Retrieved from the internet: <<https://www.amazon.com/dp/B01DYCDK1Q?psc=1>>.

Luxolite LED Headlamp Flashlight [online]. [Retrieved on Oct. 31, 2016] Retrieved from the internet: <<https://www.amazon.com/dp/B013IGE5HG?psc=1>>.

Nytebright T6 Headlamp Flashlight [online]. [Retrieved on Oct. 31, 2016] Retrieved from the internet: <[https://www.amazon.com/nyteBright-Headlamp-Flashlight-Waterproof-Lightweight/dp/B00R0LMMF8/ref=pd\\_sim\\_469\\_10?encoding=UTF8&psc=1&refRID=N9AJ6BXM63K1QND0B8TP](https://www.amazon.com/nyteBright-Headlamp-Flashlight-Waterproof-Lightweight/dp/B00R0LMMF8/ref=pd_sim_469_10?encoding=UTF8&psc=1&refRID=N9AJ6BXM63K1QND0B8TP)>.

Totobay Waterproof LED Headlamp Flashlight [online]. [Retrieved on Oct. 31, 2016] Retrieved from the internet: <<https://www.amazon.com/dp/B01G17ILOE?psc=1>>.

Ty-Lite LED Headlamp Flashlight [online]. [Retrieved on Oct. 31, 2016] Retrieved from the internet: <<https://www.amazon.com/dp/B00XWPR9NQ?psc=1>>.

Northbound Train Bright LED Headlamp Flashlight [online]. [Retrieved on Oct. 31, 2016] Retrieved from the internet: <[https://www.amazon.com/gp/product/B00H26CGTI/ref=abs\\_brd\\_tag\\_dp](https://www.amazon.com/gp/product/B00H26CGTI/ref=abs_brd_tag_dp)>.

VTIN Waterproof White/Red LED Headlight Headlamp Flashlight Torch [online]. [Retrieved on Oct. 31, 2016] Retrieved from the internet: <<https://www.amazon.com/dp/B015FVYRP2?psc=1>>.

SEO 7R Leatherman / LED Lenser [online]. [Retrieved on Oct. 31, 2016] Retrieved from the internet: <<http://www.ledlenserusa.com/seo-7r-477.html?q=SEO&start=1>>.

Energizer HD3LMS32E Micro Sport 2AAA 4-LED with Rear Flasher [online]. [Retrieved on Nov. 1, 2016] Retrieved from the internet: <<https://www.amazon.ca/Energizer-HD3LMS32E-Micro-Sport-Flasher/dp/B009QETTSK>>.

Streamlight Enduro LED Headlamp [online]. Retrieved from the internet: <<http://www.streamlight.com/en/products/detail/index/enduro-led-headlamp>>.

Streamlight Double Clutch USB Headlamp [online]. Retrieved from the internet: <<http://www.streamlight.com/en/products/detail/index/double-clutch-usb-headlamp>>.

Streamlight Septor Haz-Lo Headlamp Atex [online]. Retrieved from the internet: <<http://www.streamlight.com/en/products/detail/index/septor-haz-lo-headlamp-atex>>.

PHOTC3A001 Motion Sensor Polymer Headlight [online]. Retrieved from the internet: <<http://www.favourlight.com/products/headlight/details/ph0tc3a001>>.

PHM0M3A055 3AAA Dual Lights Compact Headlight [online]. Retrieved from the internet: <<http://www.favourlight.com/products/headlight/details/phm0m3a055>>.

PHW2C3A001 Compact Polymer Headlight [online]. Retrieved from the internet: <<http://www.favourlight.com/products/headlight/details/phw2c3a001>>.

Pelican 2745 Headlamp [online]. Retrieved from the internet: <<http://www.pelican.com/us/en/pro/product/tactical-dive-flashlights-headlamps/headlamp/standard/2745/>>.

Pelican 2765 Headlamp [online]. Retrieved from the internet: <<http://www.pelican.com/us/en/pro/product/tactical-dive-flashlights-headlamps/headlamp/standard/2765/>>.

Pelican 2780 Headlamp [online]. Retrieved from the internet: <<http://www.pelican.com/us/en/product/tactical-dive-flashlights-headlamps/headlamp/standard/2780/>>.

Pelican 2785 Headlamp [online]. Retrieved from the internet: <<http://www.pelican.com/us/en/pro/product/tactical-dive-flashlights-headlamps/headlamp/standard/2785/>>.

Black Diamond Storm Headlamp [online]. Retrieved from the internet: <[http://blackdiamondequipment.com/en\\_US/headlamps-and-lanterns/storm-BD620633\\_cfg.html#cgid=lighting&start=1](http://blackdiamondequipment.com/en_US/headlamps-and-lanterns/storm-BD620633_cfg.html#cgid=lighting&start=1)>.

Princeton TEC EOS LED Headlamp [online]. Retrieved from the internet: <<http://www.princetonotec.com/eos>>.

Princeton TEC Quad LED Headlamp [online]. Retrieved from the internet: <<http://www.princetonotec.com/quad>>.

TIKKA Hybrid Concept Compact Headlamp [online]. Retrieved from the internet: <<https://www.petzl.com/1/en/Sport/CLASSIC-headlamps/TIKKA#.WWaoYGjythE>>.

FavourLight PHL2C1N001 LED Headlight [online]. [Retrieved on Sep. 11, 2017] Retrieved from the internet: <<http://www.favourlight.com/products/headlight/details/phl2c1n001>>.

FavourLight PHM0M1N002 Headlight [online]. [Retrieved on Sep. 11, 2017] Retrieved from the internet: <<http://www.favourlight.com/products/headlight/details/phm0m1n002>>.

FavourLight PHM0M3B009 Headlight [online]. [Retrieved on Sep. 11, 2017] Retrieved from the internet: <<http://www.favourlight.com/products/headlight/details/phm0m3b009>>.

Twin-Task 3C Flashlight [online]. [Retrieved on Sep. 11, 2017] Retrieved from the internet: <<http://www.streamlight.com/en/products/detail/index/twin-task-3c>>.

Favourlight AH82C1N003 LED Headlight [online]. [Retrieved on Sep. 21, 2017] Retrieved from the internet: <<http://favourlight.com/products/headlight/details/ah82c1n003>>.

Streamlight Bandit Rechargeable Headlamp [online]. [Retrieved on Oct. 11, 2018] Retrieved from the internet: <[https://www.streamlight.com/pdf/bandit\\_en.pdf](https://www.streamlight.com/pdf/bandit_en.pdf)>.

Streamlight Enduro Pro Headlamp [online]. [Retrieved on Oct. 11, 2018] Retrieved from the internet: <<https://www.streamlight.com/products/detail/index/enduro-pro-headlamp>>.

Streamlight LED Twin-Task USB Headlamp [online]. [Retrieved on Oct. 11, 2018] Retrieved from the internet: <[https://www.streamlight.com/pdf/twin-task-usb-headlamp\\_en.pdf](https://www.streamlight.com/pdf/twin-task-usb-headlamp_en.pdf)>.

Streamlight Trident Haz-Lo Headlamp [online]. [Retrieved on Oct. 11, 2018] Retrieved from the internet: <[https://www.streamlight.com/pdf/trident-haz-lo-headlamp\\_en.pdf](https://www.streamlight.com/pdf/trident-haz-lo-headlamp_en.pdf)>.

\* cited by examiner

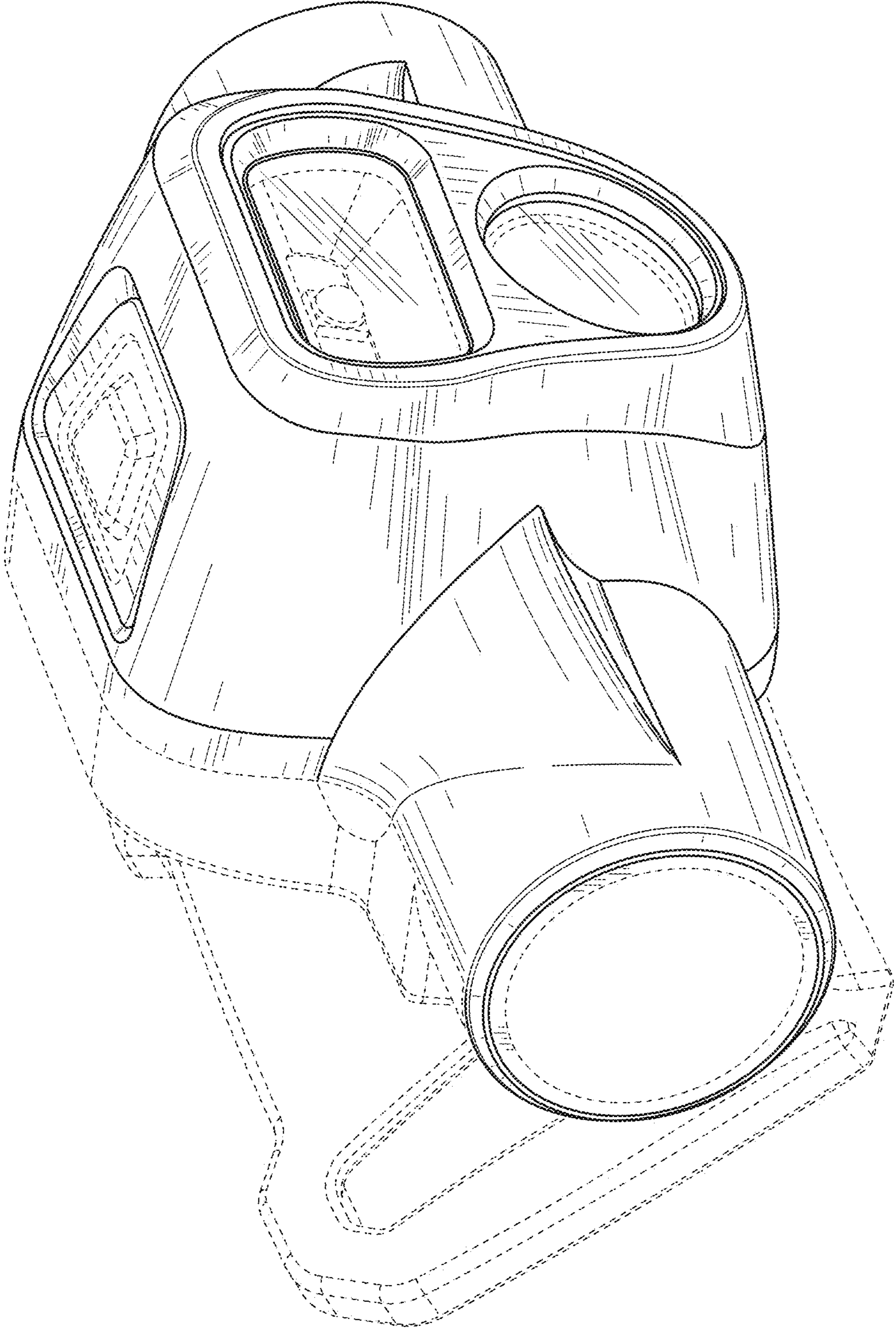


FIG. 1



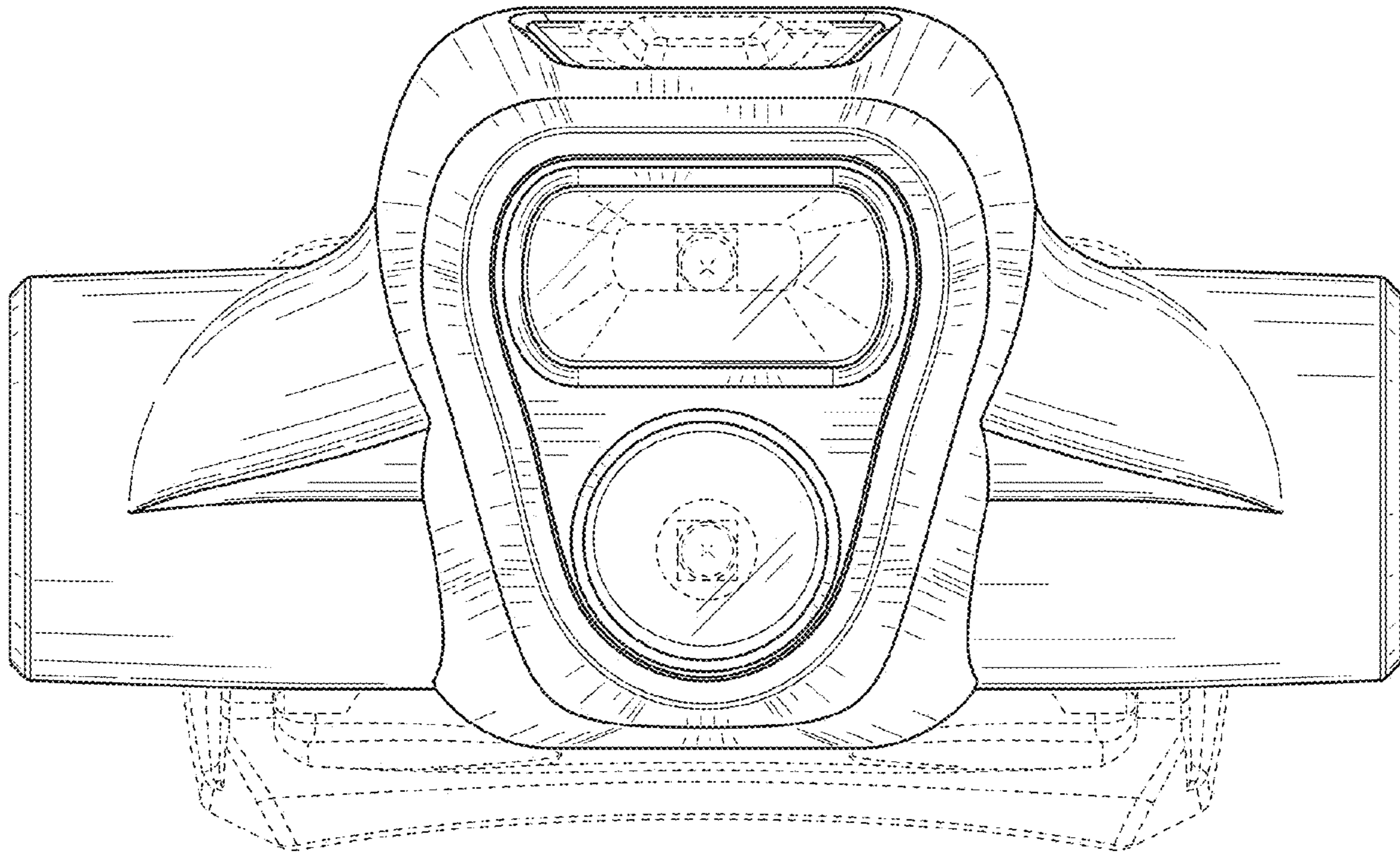


FIG. 2

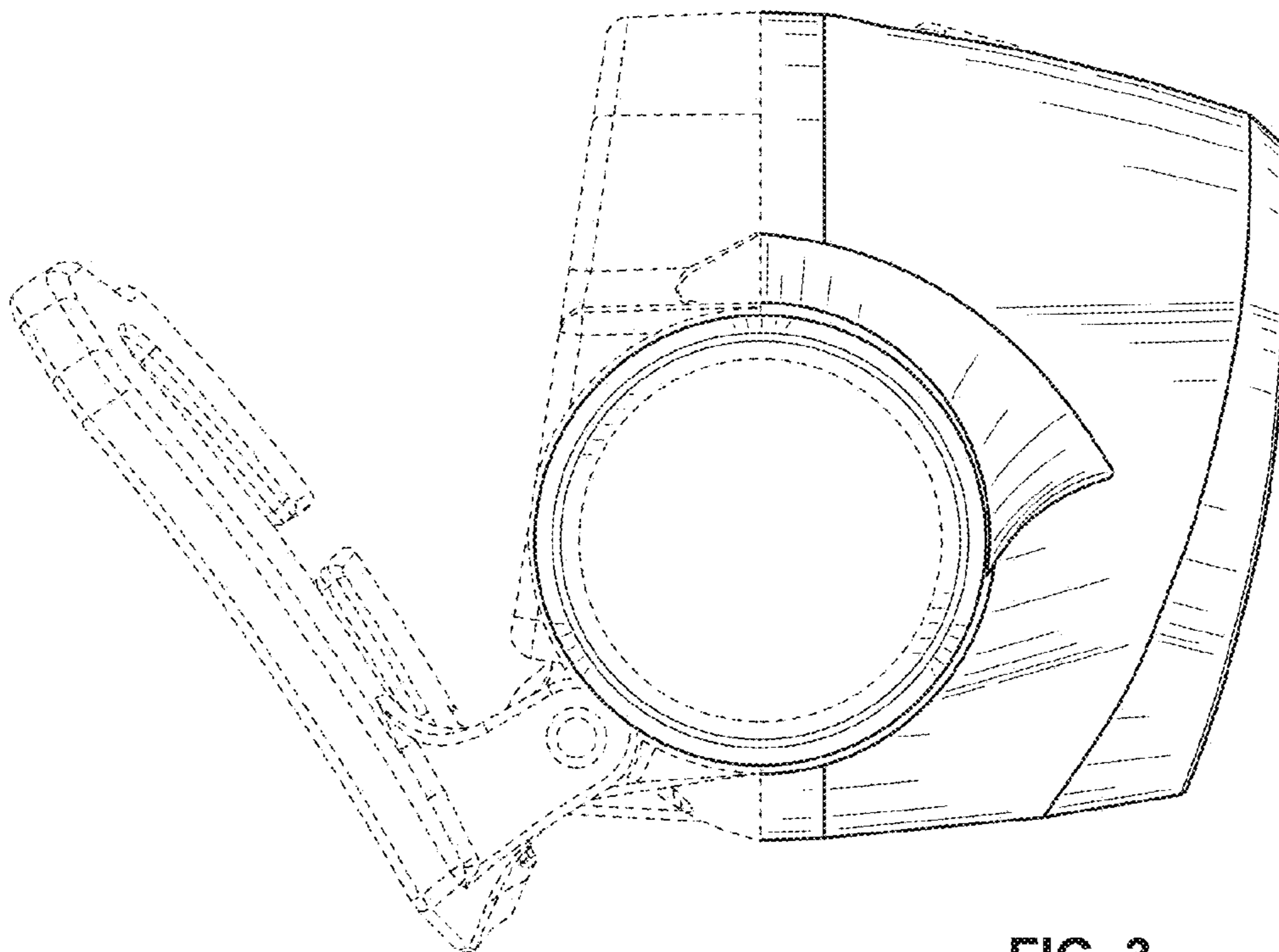


FIG. 3

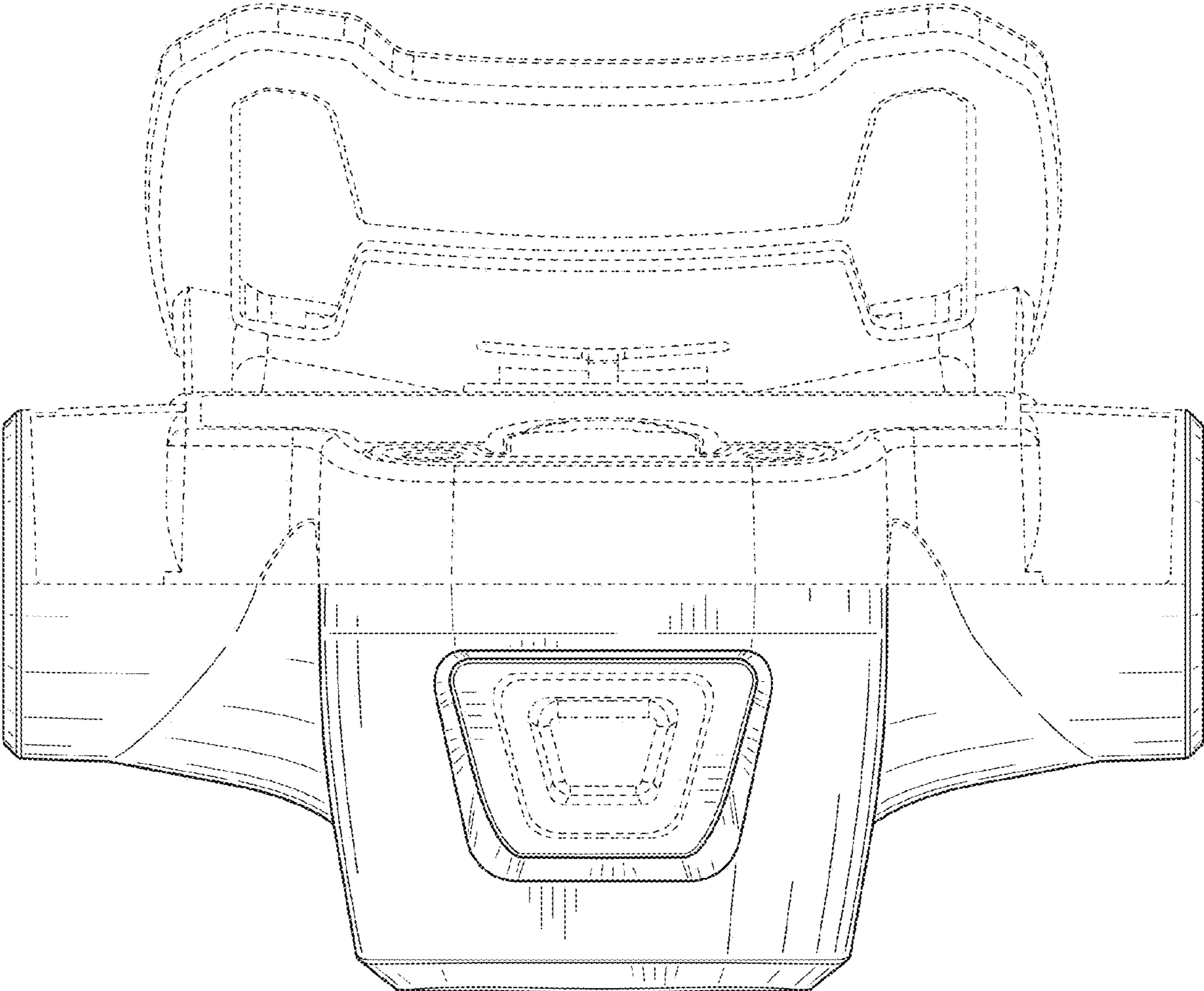


FIG. 4

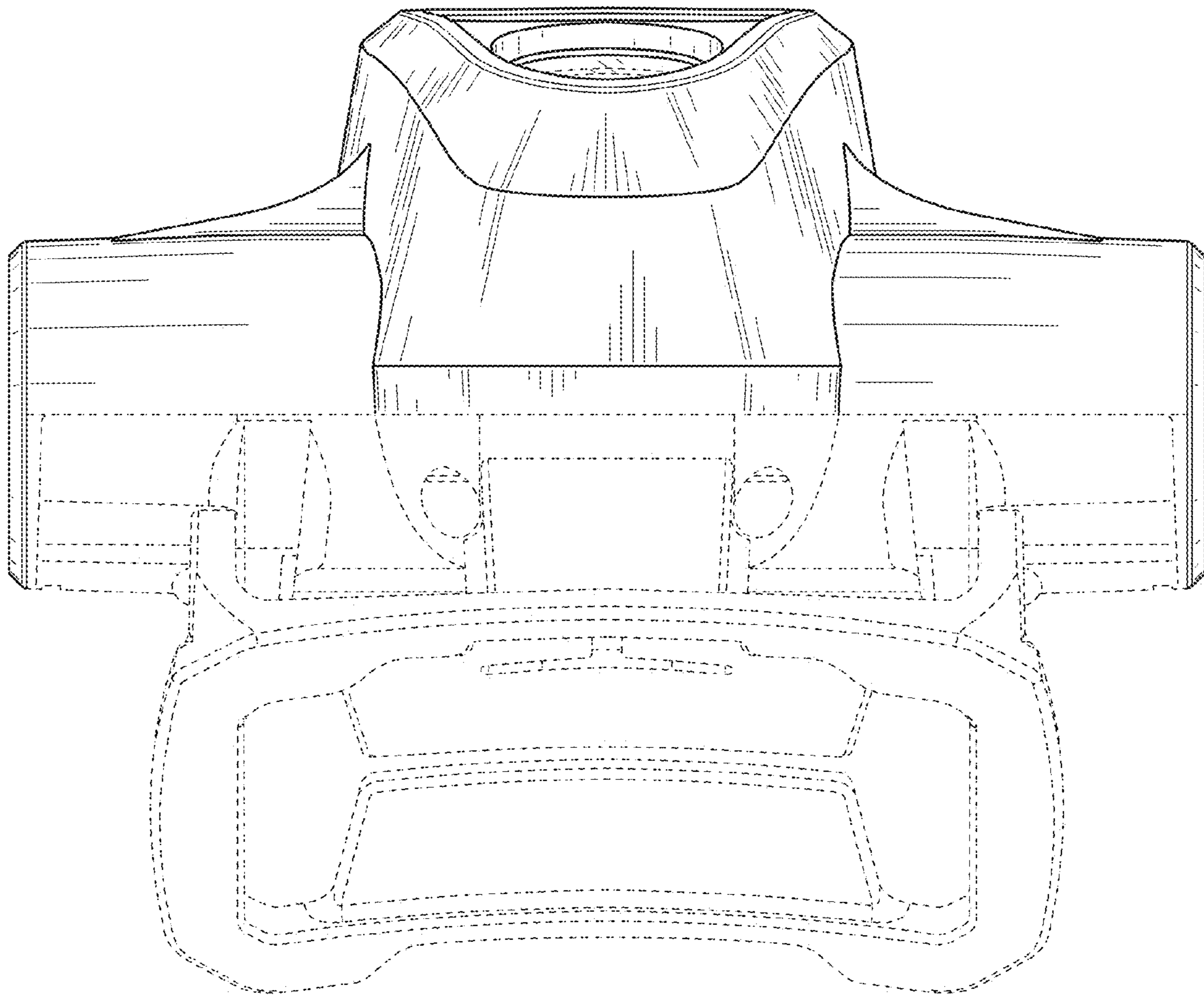


FIG. 5