



US00D884234S

(12) **United States Design Patent**  
**Bao**

(10) **Patent No.:** **US D884,234 S**

(45) **Date of Patent:** **\*\* May 12, 2020**

(54) **HEAD LAMP**

(71) Applicant: **YUYAO YUCHANG ELECTRICAL APPLIANCE CO., LTD.**, Zhejiang (CN)

(72) Inventor: **Yong Bao**, Zhejiang (CN)

(73) Assignee: **YUYAO YUCHANG ELECTRICAL APPLIANCE CO., LTD.**, Zhejiang (CN)

(\*\*) Term: **15 Years**

(21) Appl. No.: **29/655,838**

(22) Filed: **Jul. 9, 2018**

(30) **Foreign Application Priority Data**

Feb. 23, 2018 (CN) ..... 2018 3 0069296

(51) **LOC (12) Cl.** ..... **26-02**

(52) **U.S. Cl.**  
USPC ..... **D26/39**

(58) **Field of Classification Search**  
USPC ..... D26/37-51  
CPC ..... F21L 2003/00; F21L 4/00; F21L 4/005;  
F21L 4/02; F21L 4/025; F21L 4/027;  
F21L 4/04; F21L 4/08; F21L 2005/00;  
F21L 7/00; F21L 11/00; F21L 13/00;  
F21L 13/04; F21L 13/08; F21L 14/02;  
F21L 17/00; F21L 19/00; F21L 25/00  
See application file for complete search history.

(56) **References Cited**

**U.S. PATENT DOCUMENTS**

D743,596 S \* 11/2015 Ormsbee ..... D26/39  
D758,630 S \* 6/2016 Li ..... D26/39

D762,317 S \* 7/2016 Ormsbee ..... D26/39  
D821,007 S \* 6/2018 Chen ..... D26/39  
D830,601 S \* 10/2018 Petzl ..... D26/39  
D830,602 S \* 10/2018 Melchior ..... D26/39  
D844,869 S \* 4/2019 Green ..... D26/39  
D845,526 S \* 4/2019 Windom ..... D26/39

\* cited by examiner

*Primary Examiner* — Lakiya G Rogers

*Assistant Examiner* — Carissa C Fitts

(74) *Attorney, Agent, or Firm* — JCIPRNET

(57) **CLAIM**

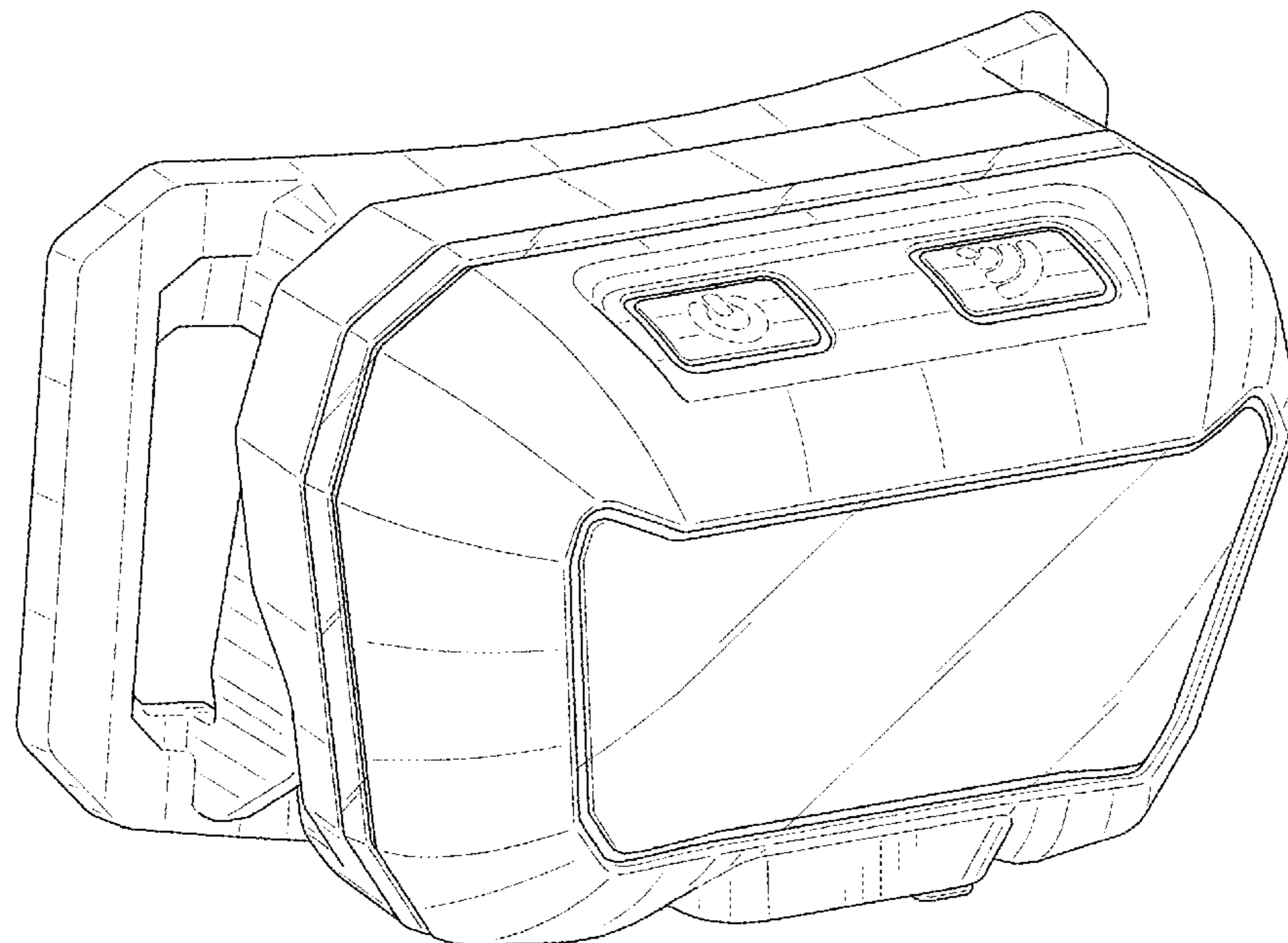
The ornamental design for a head lamp, as shown and described.

**DESCRIPTION**

FIG. 1 is a perspective view of a head lamp showing our new design;  
FIG. 2 is another perspective view thereof;  
FIG. 3 is a front view thereof;  
FIG. 4 is a rear view thereof;  
FIG. 5 is a left side view thereof;  
FIG. 6 is a right side view thereof;  
FIG. 7 is a top view thereof; and,  
FIG. 8 is a bottom view thereof.

The oblique line shading shown in the drawings indicates a transparent or translucent surface. Internal structure of the transparent or translucent surface is omitted. No claim is made to any elements inside the transparent or translucent surface. The broken lines showing portions of the head lamp represent unclaimed portions of the claimed design and form no part of the claimed design.

**1 Claim, 5 Drawing Sheets**



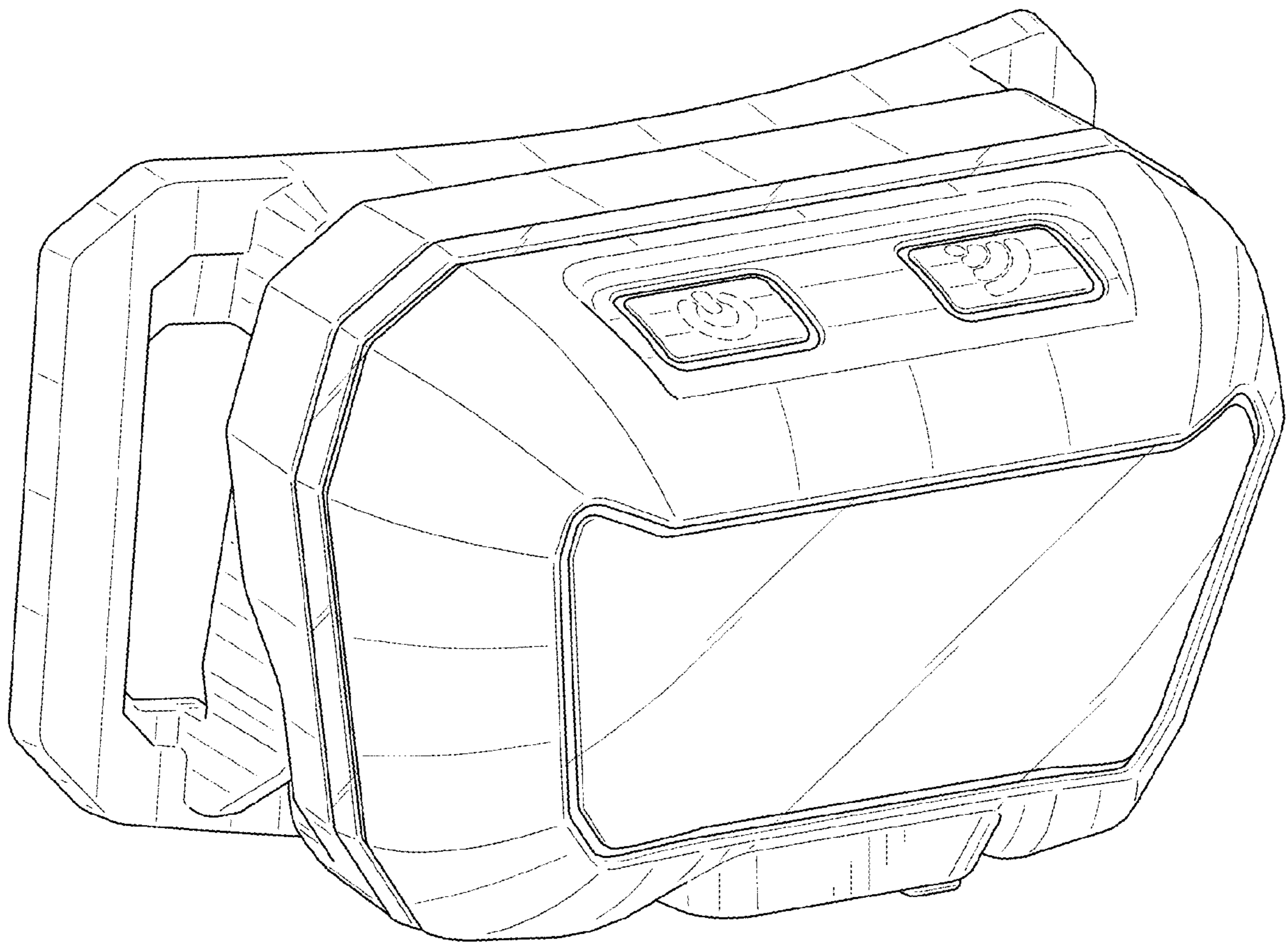


FIG. 1

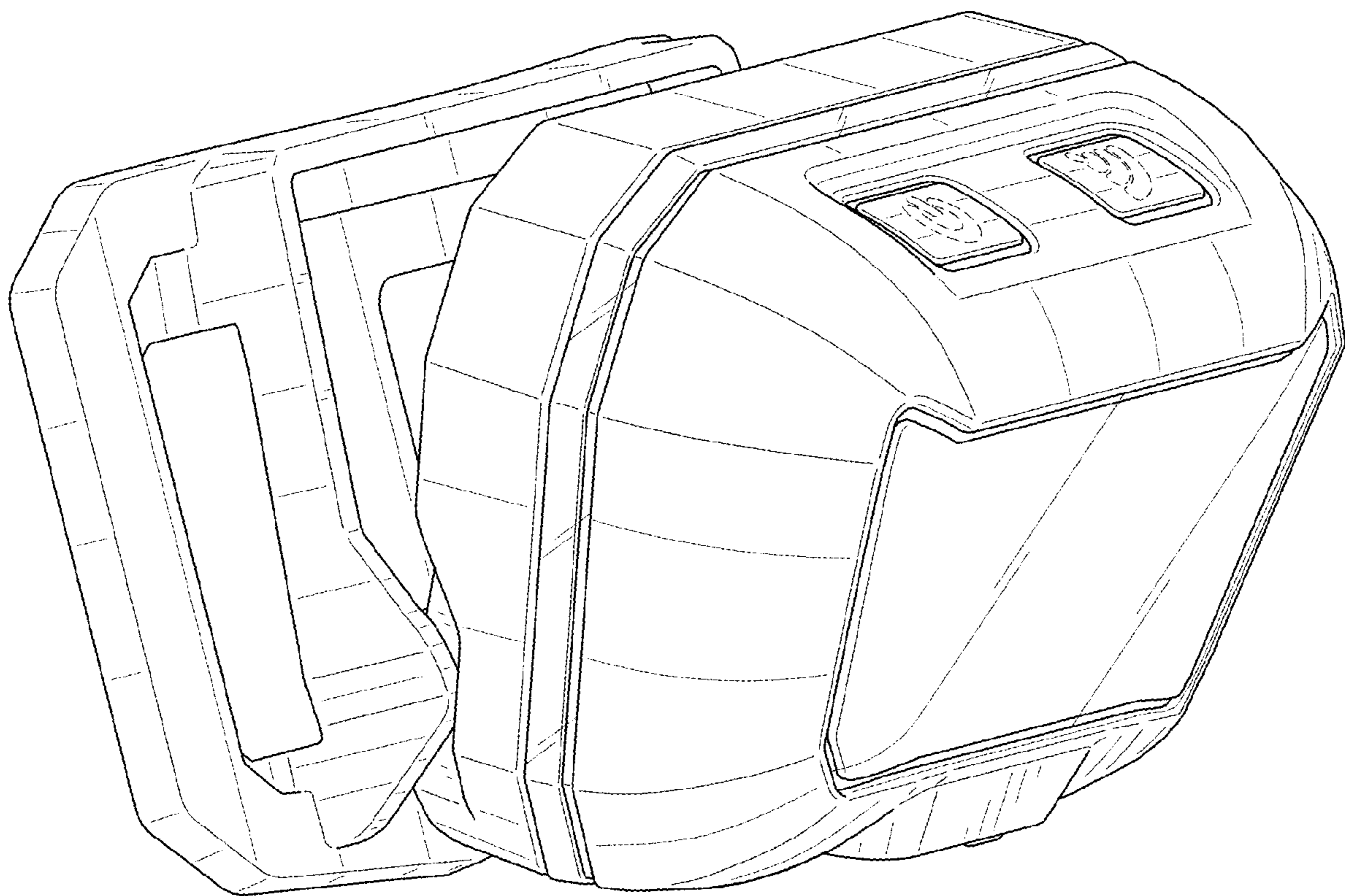


FIG. 2

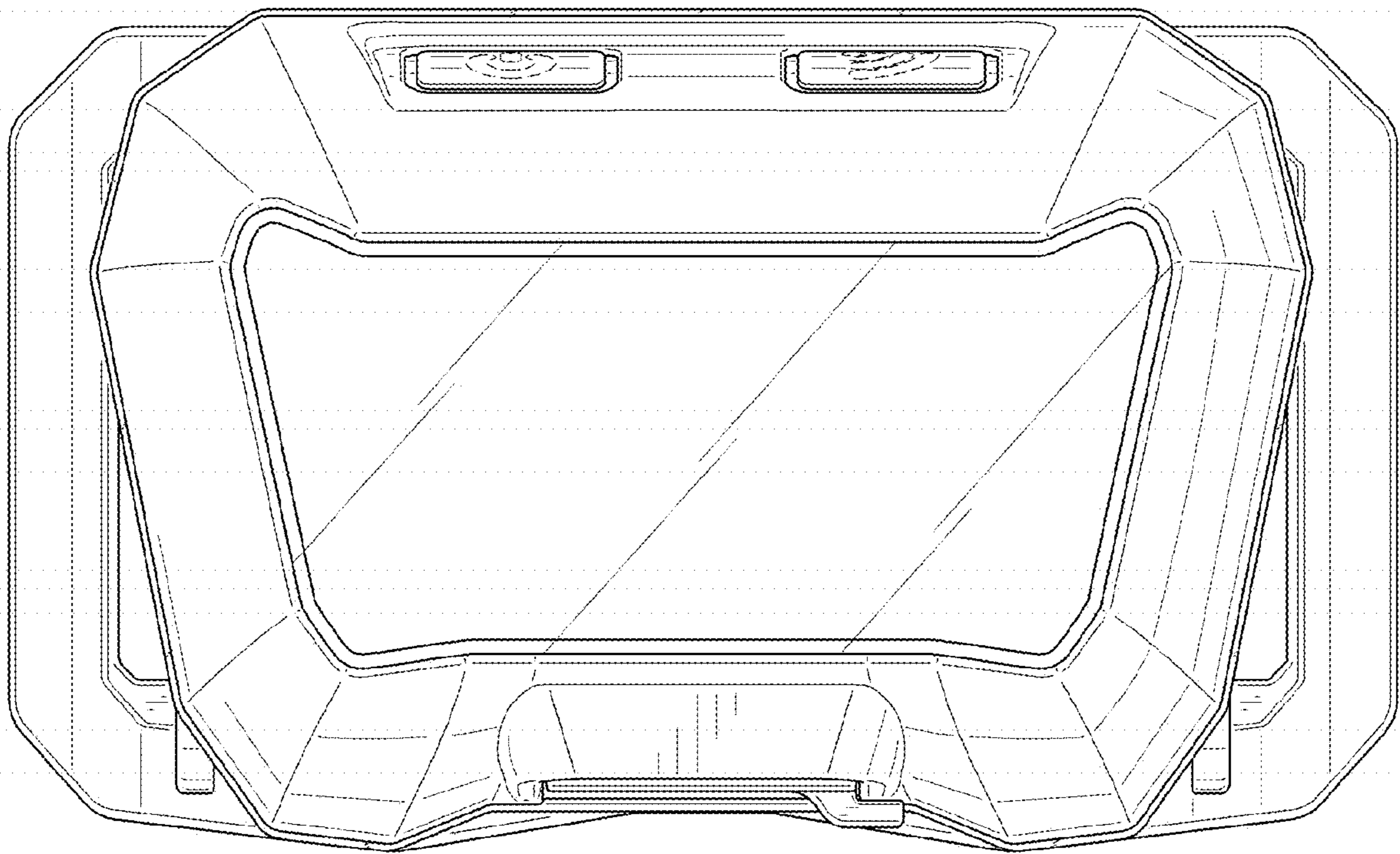


FIG. 3

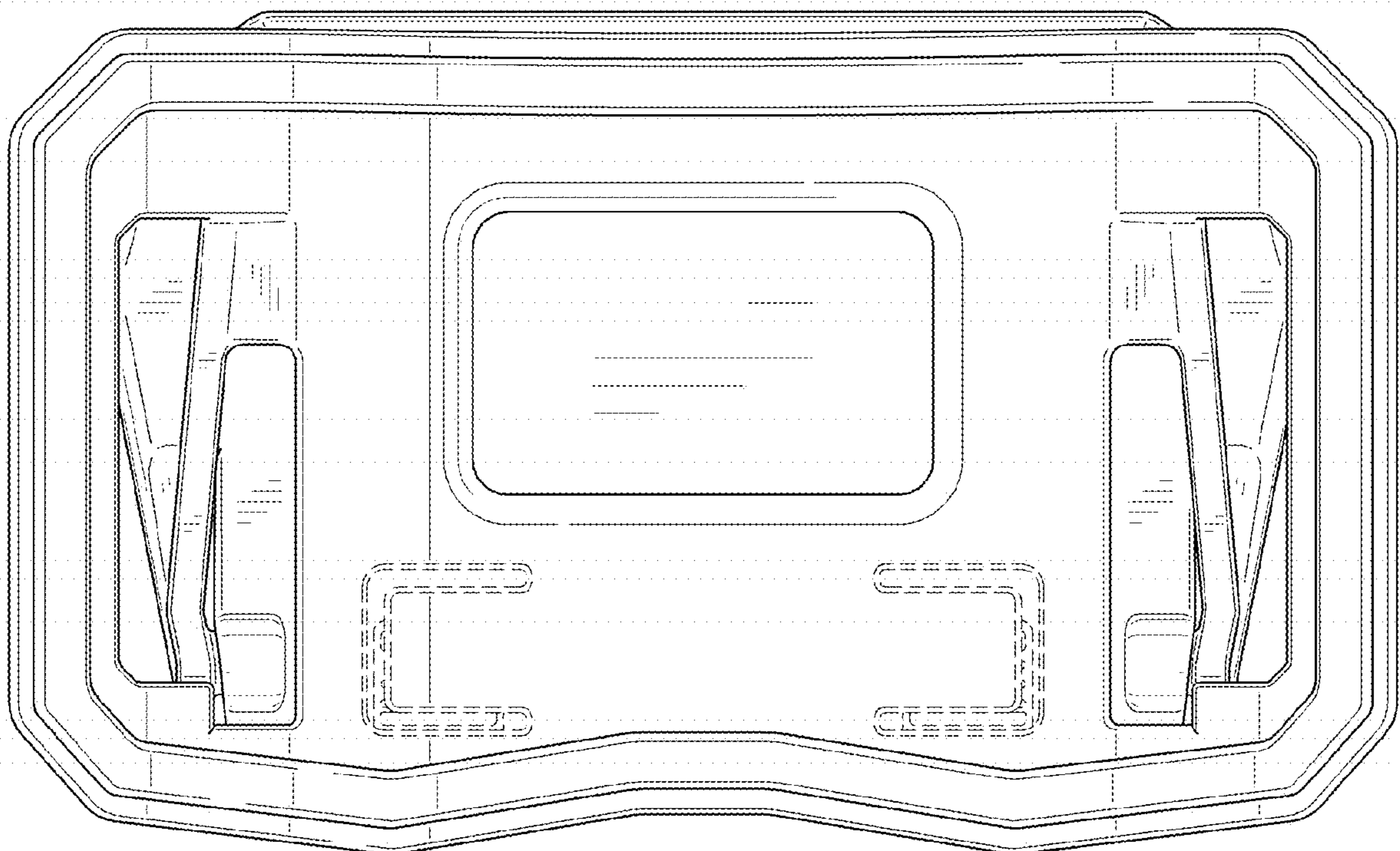


FIG. 4

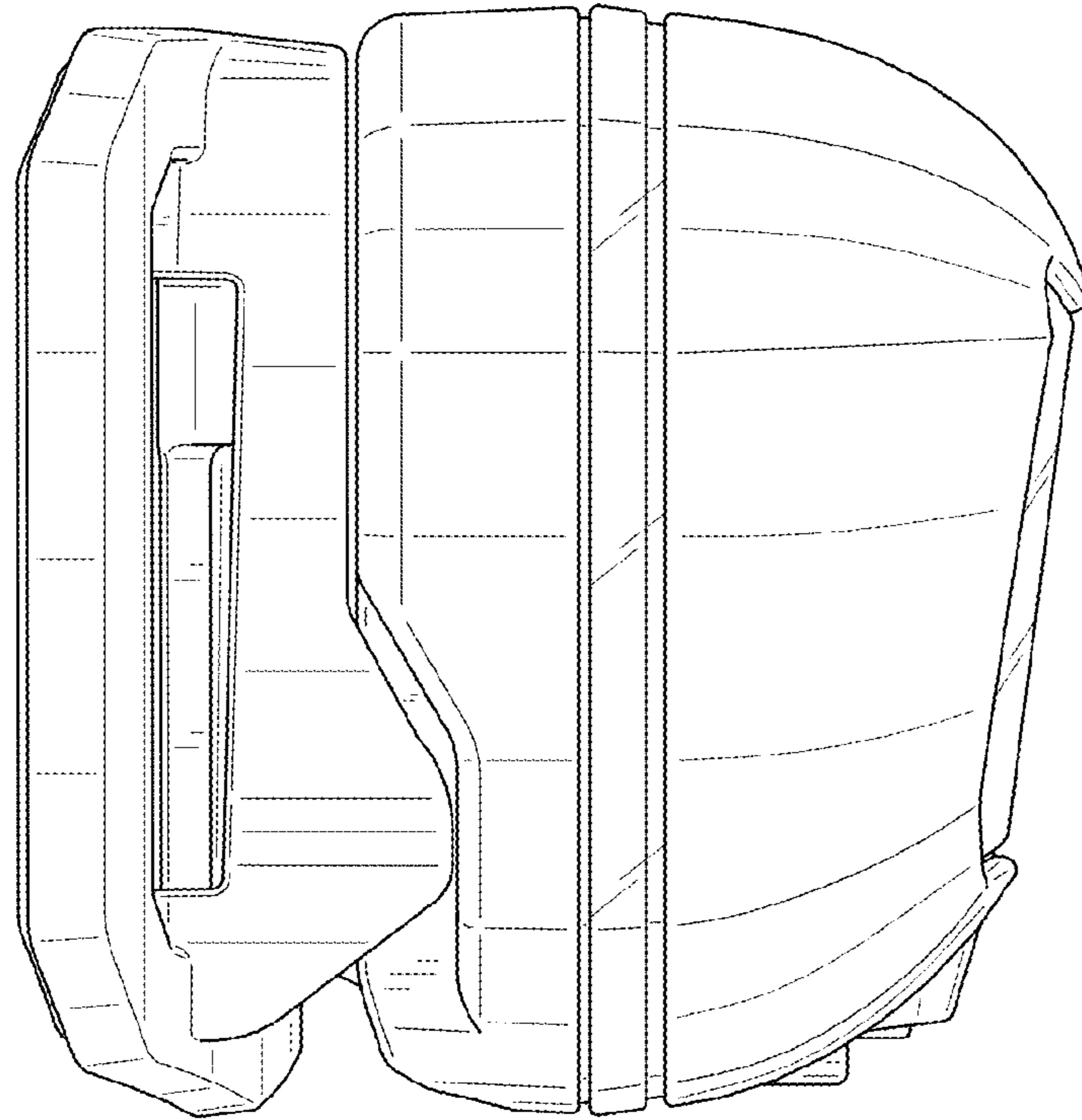


FIG. 5

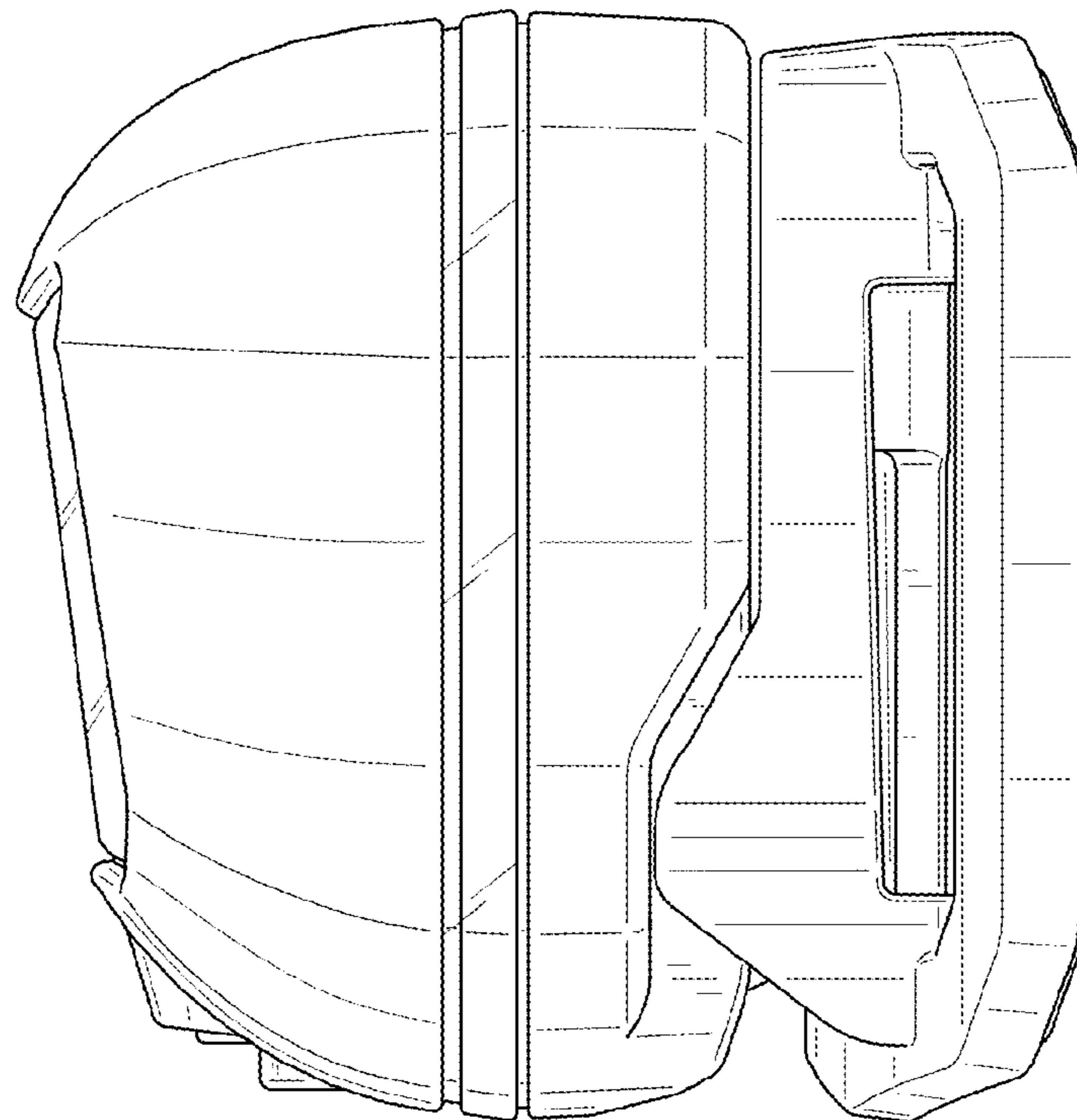


FIG. 6

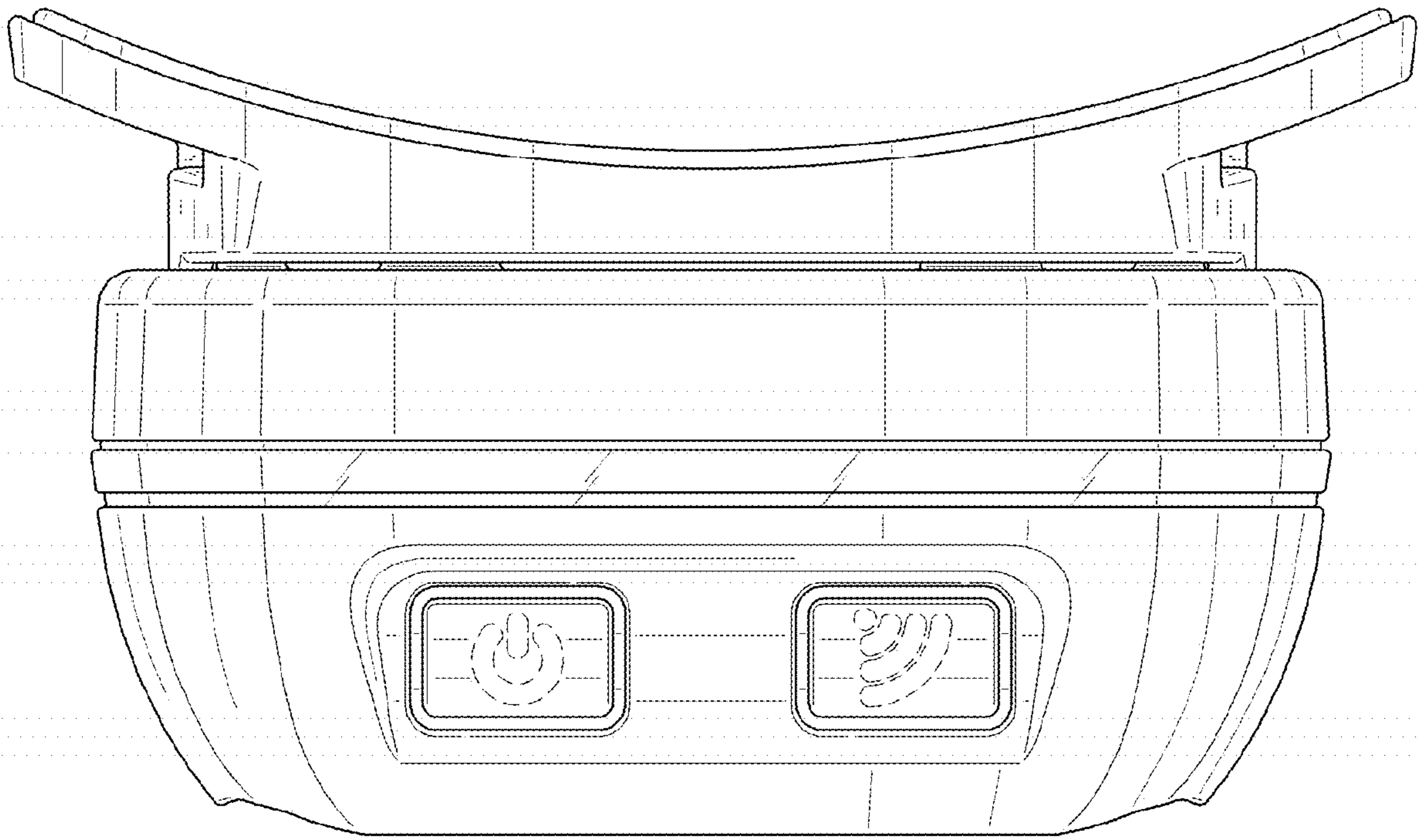


FIG. 7

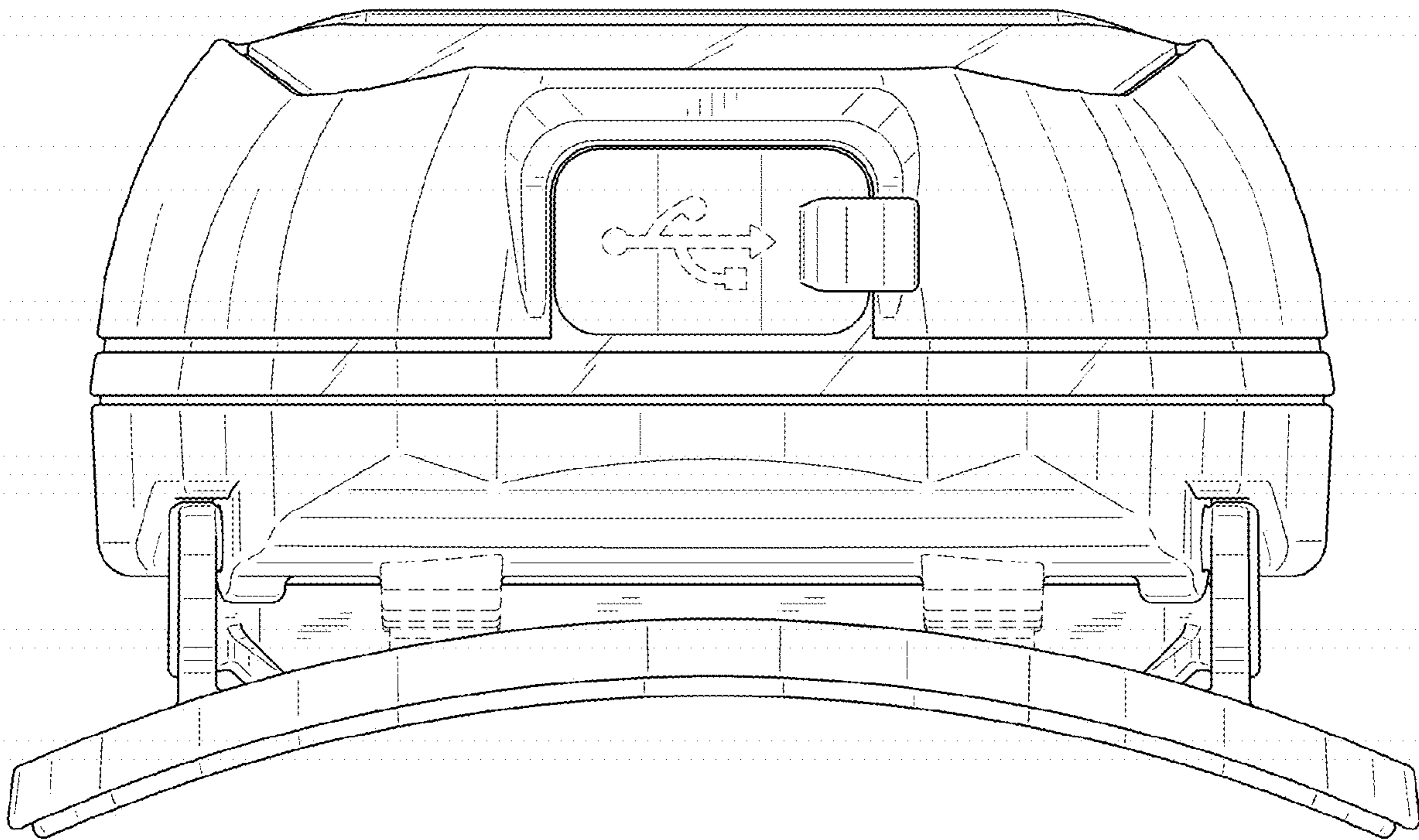


FIG. 8