



US00D884230S

(12) **United States Design Patent** (10) **Patent No.:** **US D884,230 S**  
**Acosta** (45) **Date of Patent:** **\*\* May 12, 2020**

(54) **VEHICLE HEADLIGHT**  
(71) Applicant: **John Acosta**, Yorba Linda, CA (US)  
(72) Inventor: **John Acosta**, Yorba Linda, CA (US)  
(\*\*) Term: **15 Years**  
(21) Appl. No.: **29/709,528**  
(22) Filed: **Oct. 15, 2019**  
(51) **LOC (12) Cl.** ..... **26-06**  
(52) **U.S. Cl.**  
USPC ..... **D26/36**  
(58) **Field of Classification Search**  
USPC ..... D26/28, 29, 30, 31, 32, 33, 34, 35, 36;  
362/459-468, 475-478, 485-487  
CPC ..... F21S 48/00; F21S 48/10; F21S 48/115;  
F21S 48/225; F21S 48/1233; F21S  
48/1266; F21S 48/1388; F21S 48/2268;  
F21V 21/04  
See application file for complete search history.

D739,058 S 9/2015 Hayez et al.  
D739,581 S \* 9/2015 Huang ..... D26/28  
D742,046 S 10/2015 Hwang  
D747,517 S \* 1/2016 Lai ..... D26/28  
D759,275 S 6/2016 Hwang  
D773,700 S 12/2016 Aoki  
9,534,740 B2 1/2017 Tokarz et al.  
D792,994 S 7/2017 Hwang  
D794,852 S 8/2017 Hwang  
9,726,333 B2 8/2017 Giametta  
D799,082 S \* 10/2017 Lai ..... D26/28  
D808,551 S 1/2018 Chi  
D808,553 S 1/2018 Shengjin  
D835,818 S 12/2018 Acosta, III

\* cited by examiner

*Primary Examiner* — Angela J Lee  
(74) *Attorney, Agent, or Firm* — Gulick Law; Karima Gulick

(57) **CLAIM**

The ornamental design for a vehicle headlight, as shown and described.

(56) **References Cited**

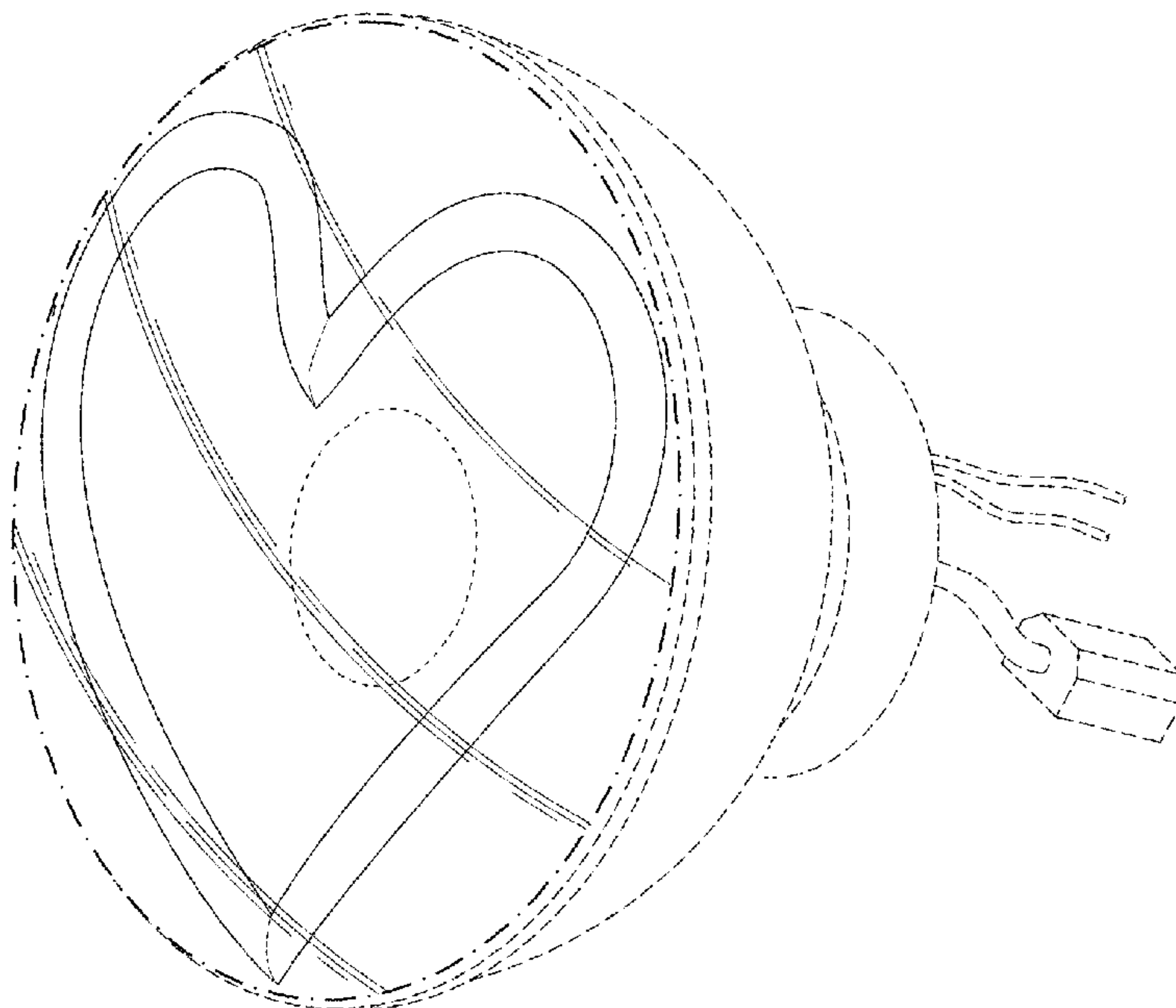
U.S. PATENT DOCUMENTS

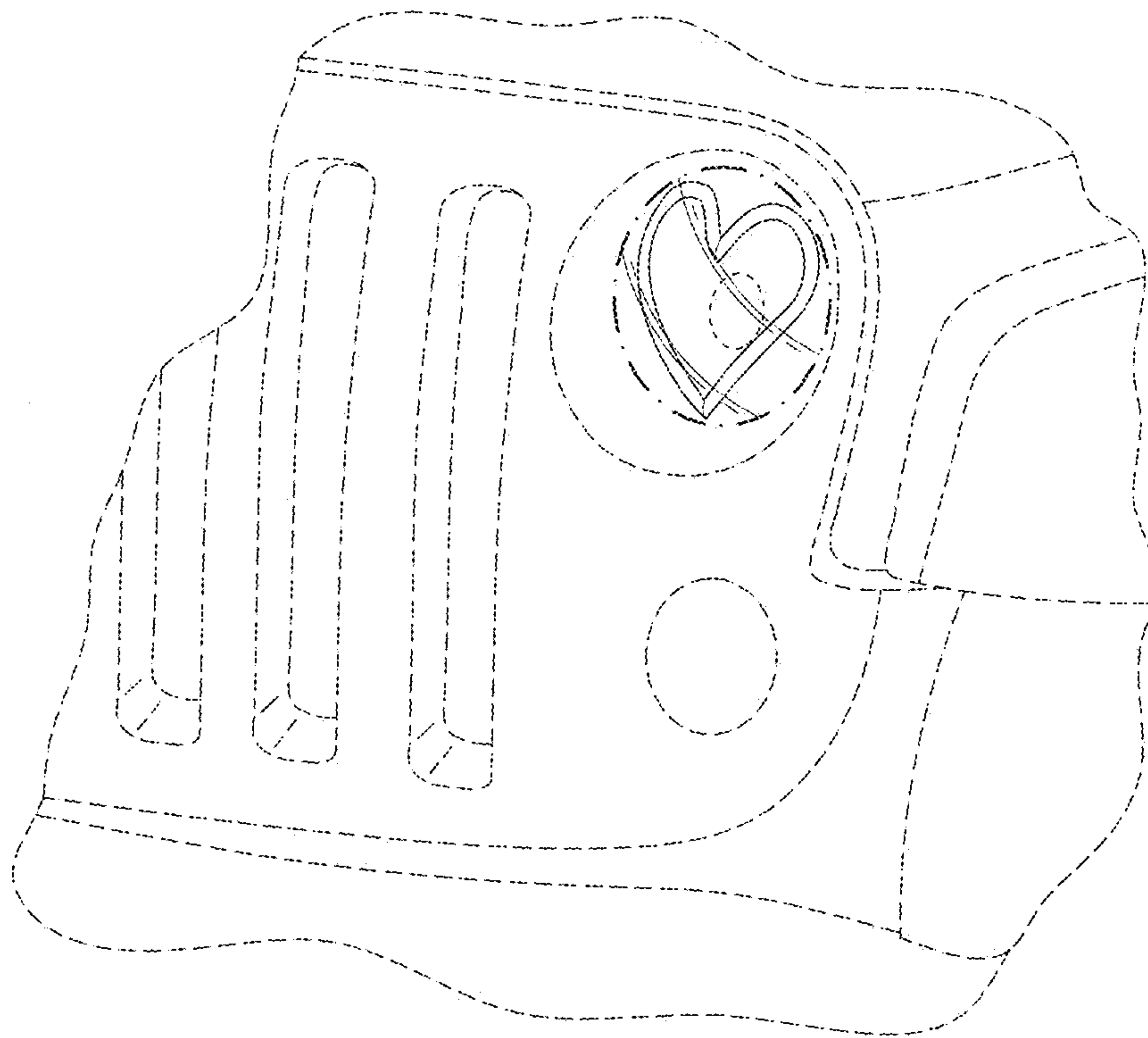
D57,286 S \* 3/1921 Treese ..... D26/32  
D66,367 S \* 1/1925 Jones ..... D26/139  
D324,740 S \* 3/1992 Harder ..... D26/32  
D332,837 S \* 1/1993 Kim ..... D26/32  
D381,443 S \* 7/1997 Yuen ..... D22/123  
D470,612 S \* 2/2003 Kit ..... D26/26  
D495,069 S \* 8/2004 Yu ..... D26/26  
D571,500 S 6/2008 Lin  
D573,736 S 7/2008 Poon  
D616,124 S \* 5/2010 Wu ..... D26/28  
D633,633 S \* 3/2011 Oh ..... D26/28  
D661,003 S \* 5/2012 Welch ..... D26/26  
D675,757 S 2/2013 Hanson  
D720,869 S 1/2015 Knoedle-Bunte  
D723,722 S 3/2015 Negrete

**DESCRIPTION**

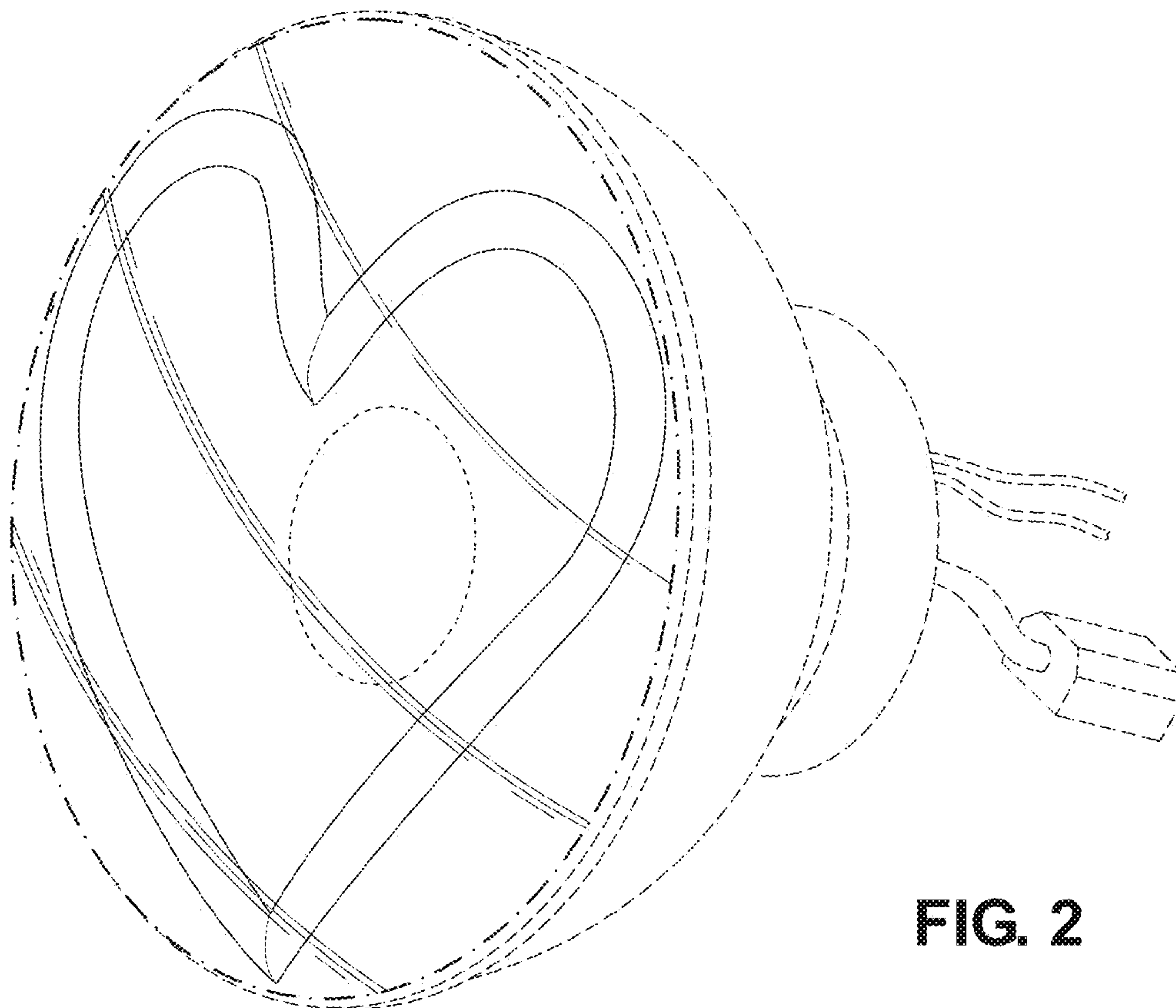
FIG. 1 is a perspective front view of a vehicle headlight in environmental conditions showing my new design; FIG. 2 shows a perspective side view thereof; FIG. 3 shows a front view thereof; FIG. 4 shows a top plan view thereof; FIG. 5 shows a bottom plan view thereof; FIG. 6 shows a left side view thereof; and, FIG. 7 shows a right side view thereof. The broken lines of the figures showing additional portions of the vehicle are included for the purpose of illustrating environmental structure and form no part of the claimed design.

**1 Claim, 4 Drawing Sheets**

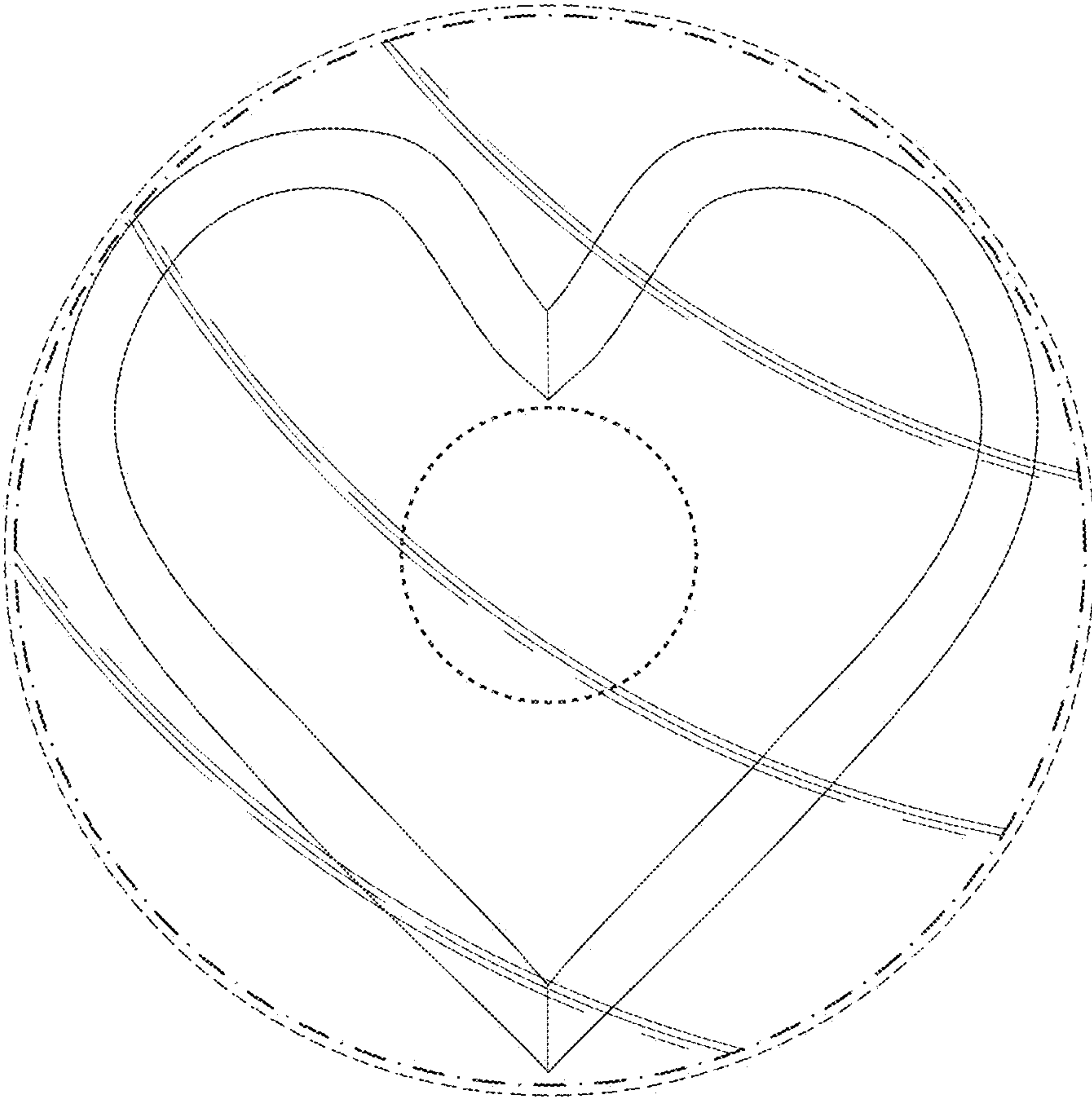




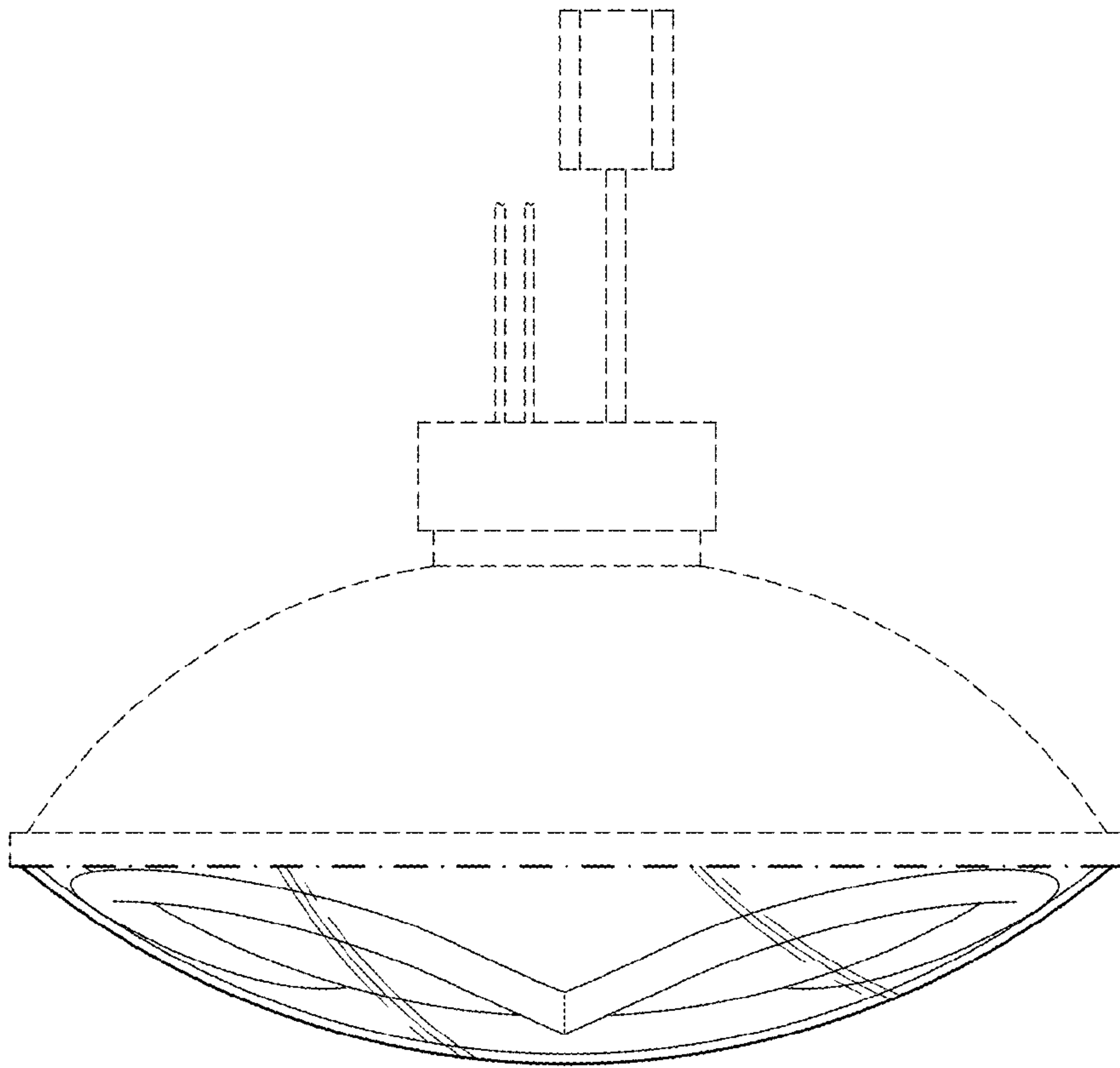
**FIG. 1**



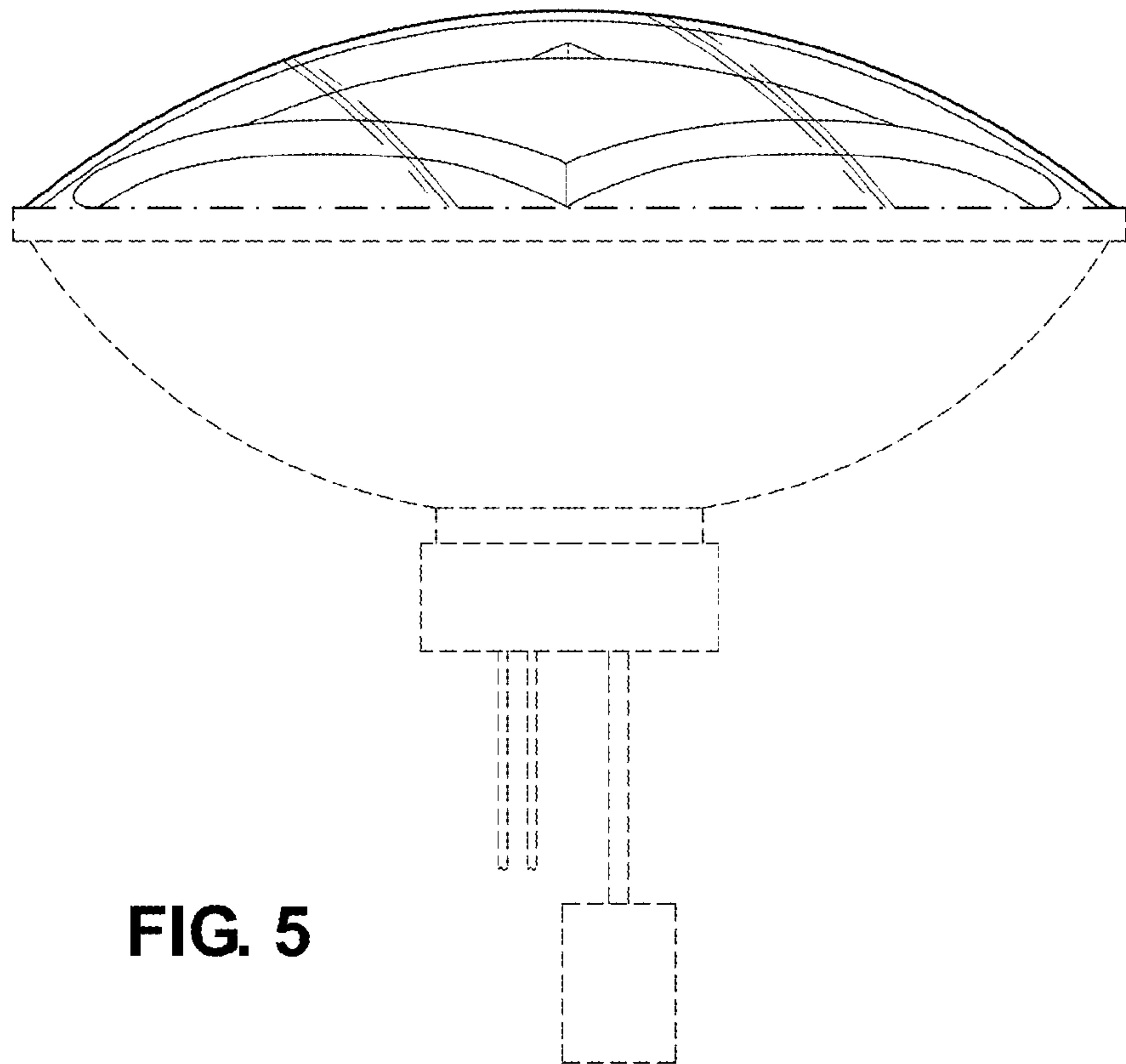
**FIG. 2**



**FIG. 3**

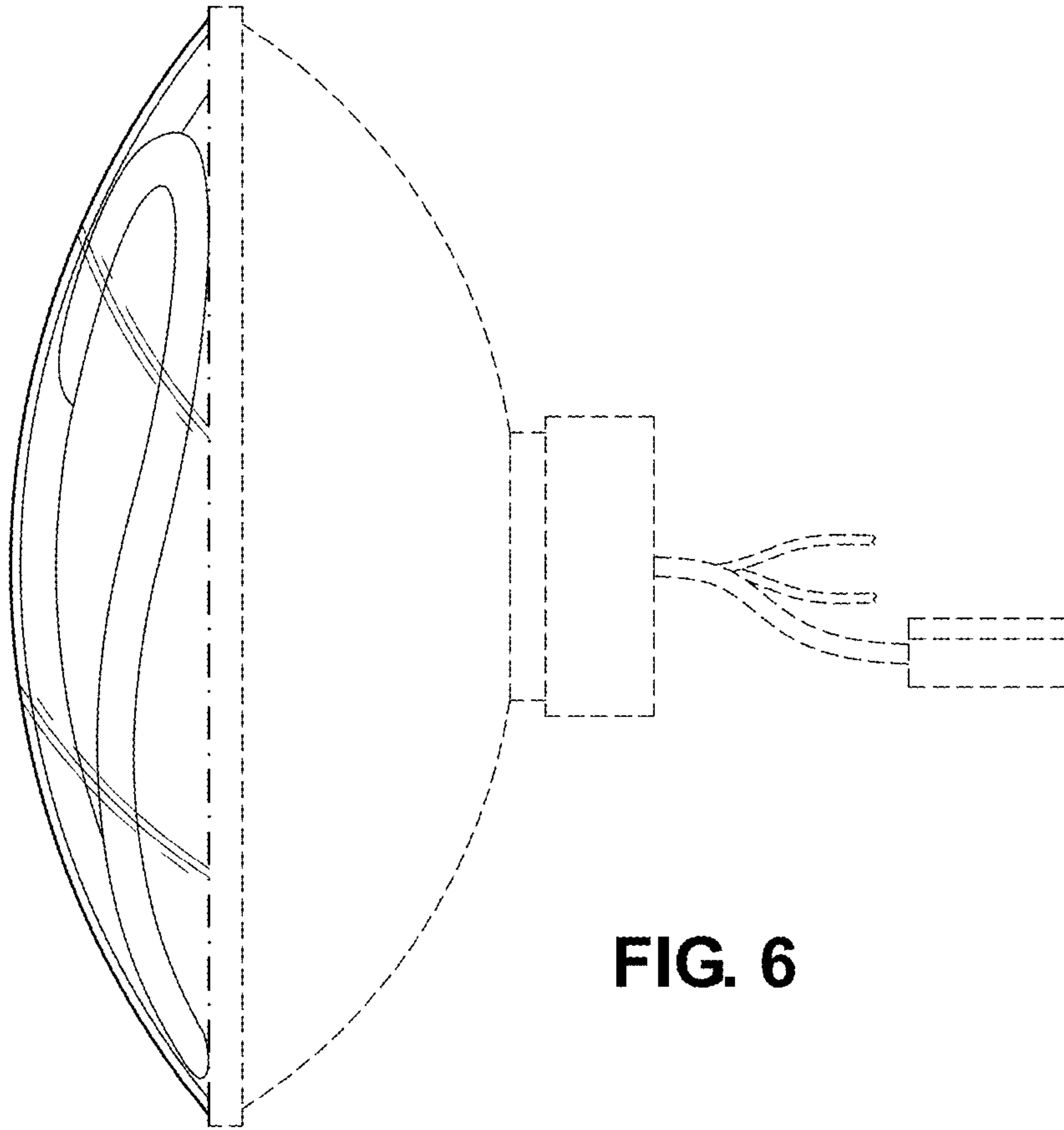


**FIG. 4**

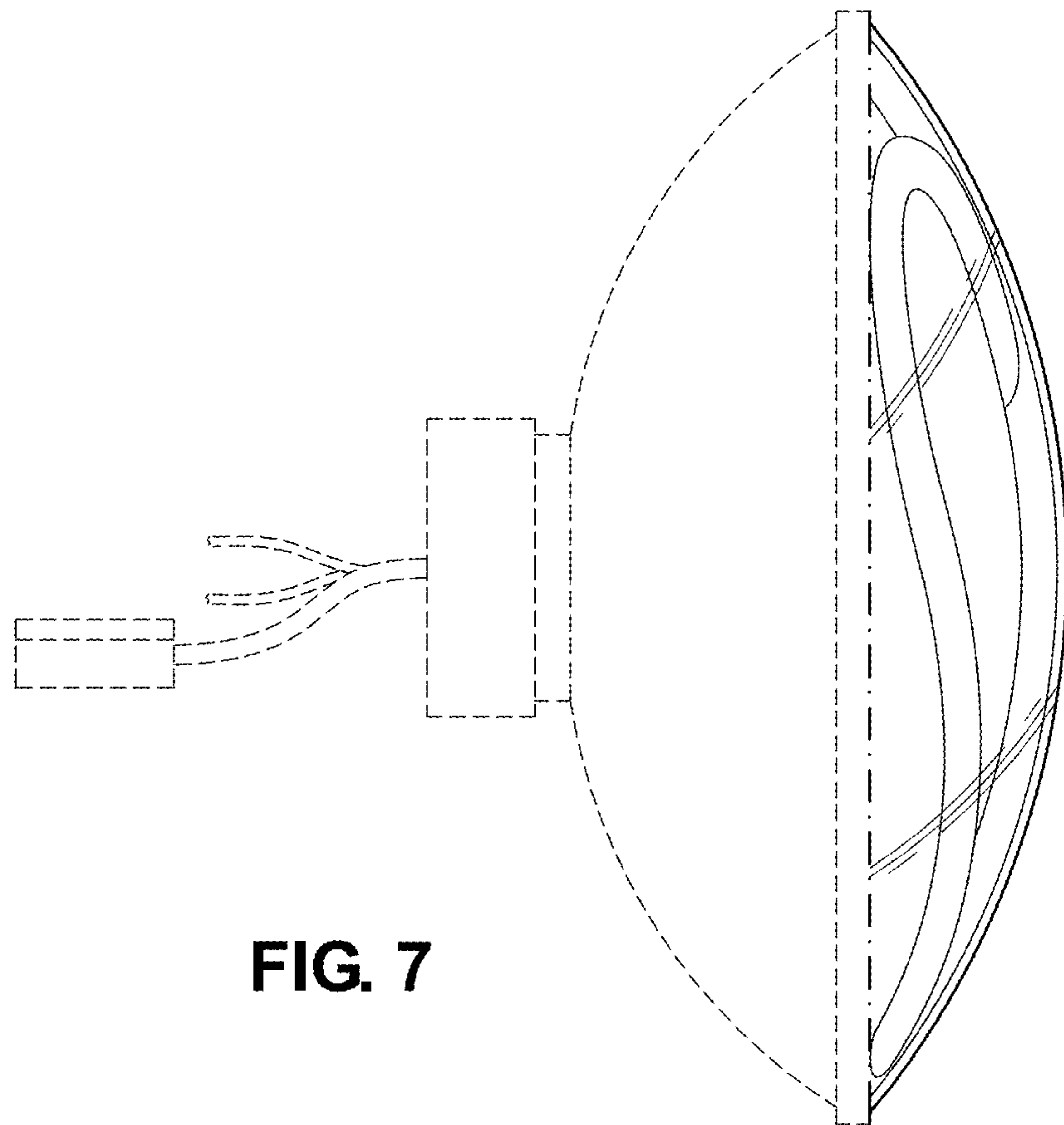


**FIG. 5**





**FIG. 6**



**FIG. 7**