



US00D884229S

(12) **United States Design Patent** (10) **Patent No.:** **US D884,229 S**  
**Huang** (45) **Date of Patent:** **\*\* May 12, 2020**

(54) **LED HEADLIGHT BULB**

(71) Applicant: **Han Huang**, Guangzhou (CN)

(72) Inventor: **Han Huang**, Guangzhou (CN)

(\*\*) Term: **15 Years**

(21) Appl. No.: **29/718,400**

(22) Filed: **Dec. 24, 2019**

(51) **LOC (12) Cl.** ..... **26-06**

(52) **U.S. Cl.**  
USPC ..... **D26/28**

(58) **Field of Classification Search**  
USPC ..... D26/28-36, 139  
CPC ..... F21S 48/00; F21S 48/10; F21S 48/115;  
F21S 48/225; F21S 48/1233; F21S  
48/1266; F21S 48/1388; F21S 48/2268;  
F21V 21/04; F21V 29/004; B60Q 9/13;  
B60Q 9/135; B60Q 9/1375

See application file for complete search history.

(56) **References Cited**

**U.S. PATENT DOCUMENTS**

D720,483 S	*	12/2014	Saddig	.....	D26/28
D740,984 S	*	10/2015	Chen	.....	D26/28
D769,487 S	*	10/2016	Ma	.....	D26/28
D769,490 S	*	10/2016	Ma	.....	D26/28
D777,961 S	*	1/2017	Wu	.....	D26/28
D808,553 S		1/2018	Shengjin et al.		
D841,205 S		2/2019	Dai		

\* cited by examiner

*Primary Examiner* — Marcus A Jackson

(74) *Attorney, Agent, or Firm* — HYIP

(57) **CLAIM**

The ornamental design for a LED headlight bulb, as shown and described.

**DESCRIPTION**

FIG. 1 is a first perspective view of a first embodiment of a LED headlight bulb showing my new design;

FIG. 2 is a second perspective view of the first embodiment thereof;

FIG. 3 is a front view of the first embodiment thereof;

FIG. 4 is a back view of the first embodiment thereof;

FIG. 5 is a left side view of the first embodiment thereof;

FIG. 6 is a right side view of the first embodiment thereof;

FIG. 7 is a top view of the first embodiment thereof;

FIG. 8 is a bottom view of the first embodiment thereof;

FIG. 9 is a first perspective view of a second embodiment of a LED headlight bulb showing my new design;

FIG. 10 is a second perspective view of the second embodiment thereof;

FIG. 11 is a front view of the second embodiment thereof;

FIG. 12 is a back view of the second embodiment thereof;

FIG. 13 is a left side view of the second embodiment thereof;

FIG. 14 is a right side view of the second embodiment thereof;

FIG. 15 is a top view of the second embodiment thereof;

FIG. 16 is a bottom view of the second embodiment thereof;

FIG. 17 is a first perspective view of a third embodiment of a LED headlight bulb showing my new design;

FIG. 18 is a second perspective view of the third embodiment thereof;

FIG. 19 is a front view of the third embodiment thereof;

FIG. 20 is a back view of the third embodiment thereof;

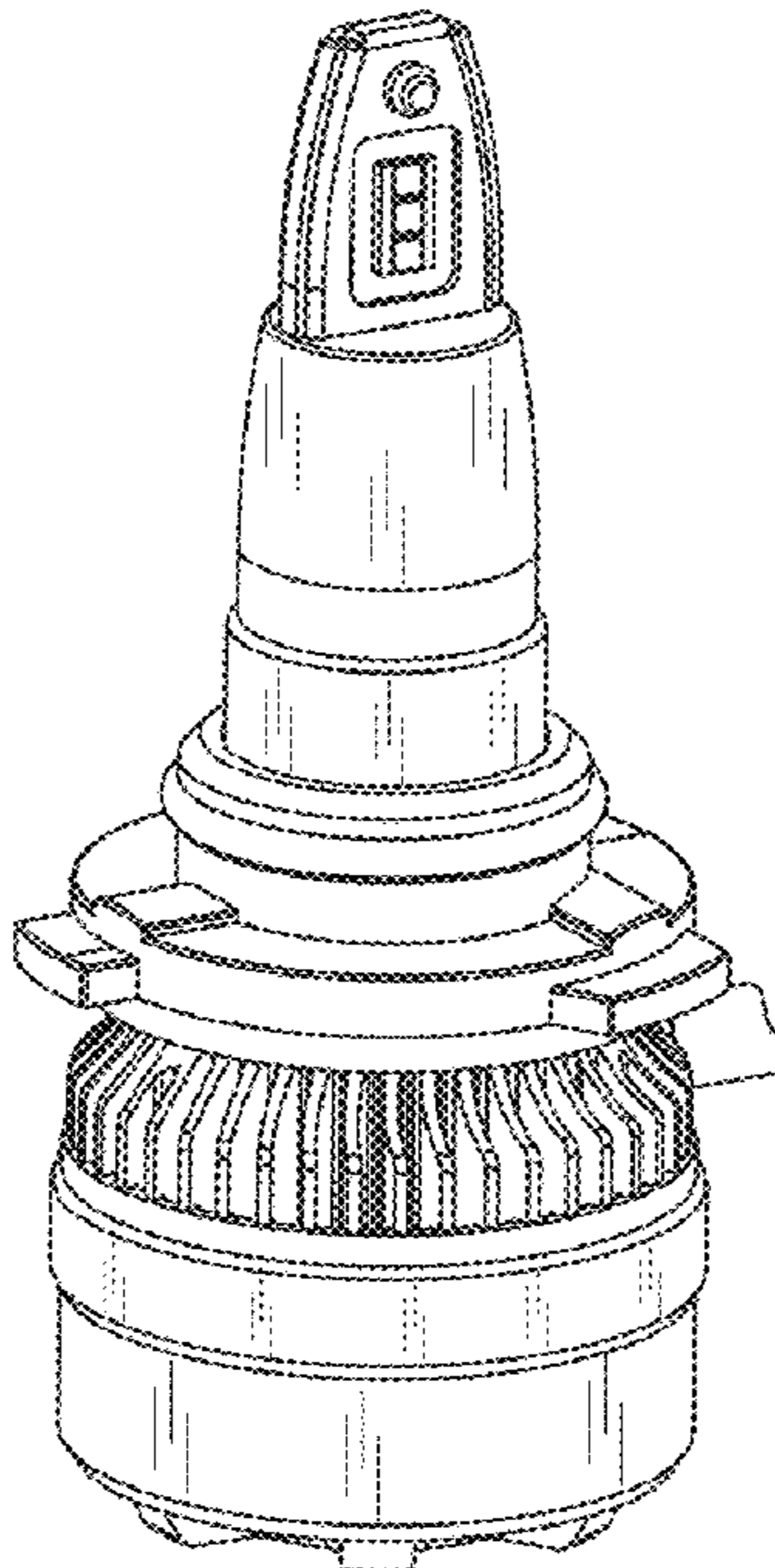
FIG. 21 is a left side view of the third embodiment thereof;

FIG. 22 is a right side view of the third embodiment thereof;

FIG. 23 is a top view of the third embodiment thereof; and,

FIG. 24 is a bottom view of the third embodiment thereof.

**1 Claim, 24 Drawing Sheets**



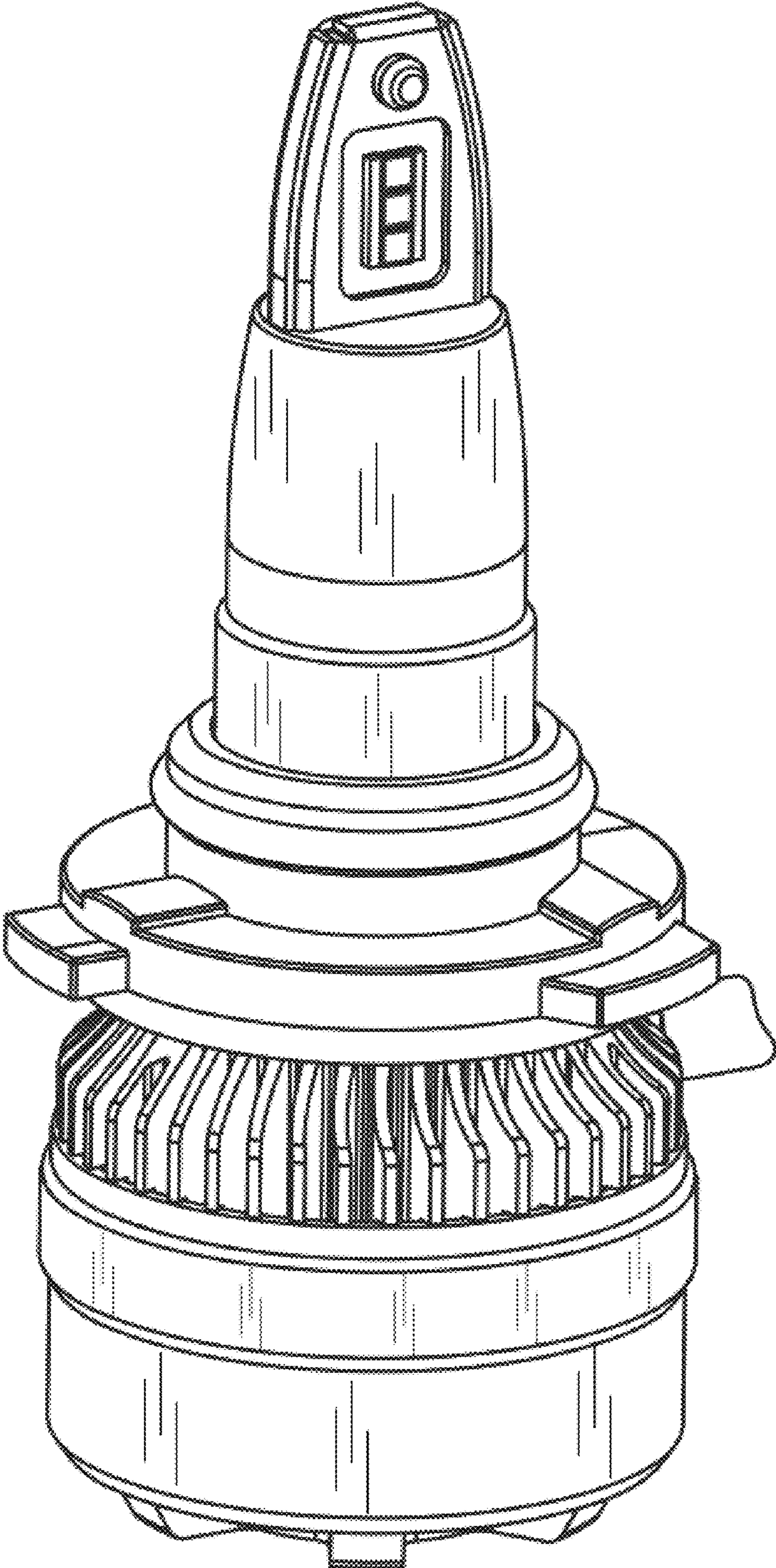


FIG. 1

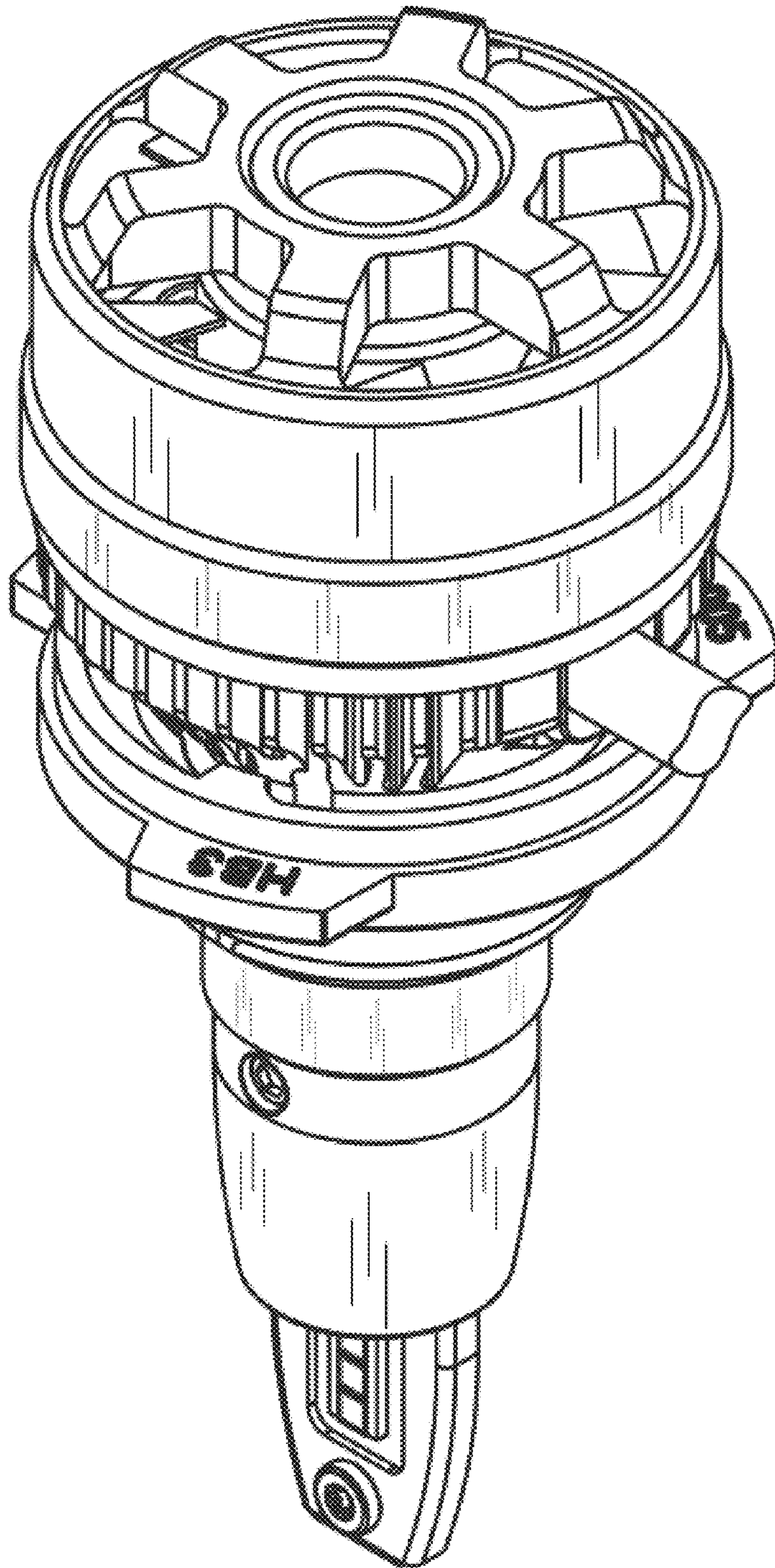


FIG. 2

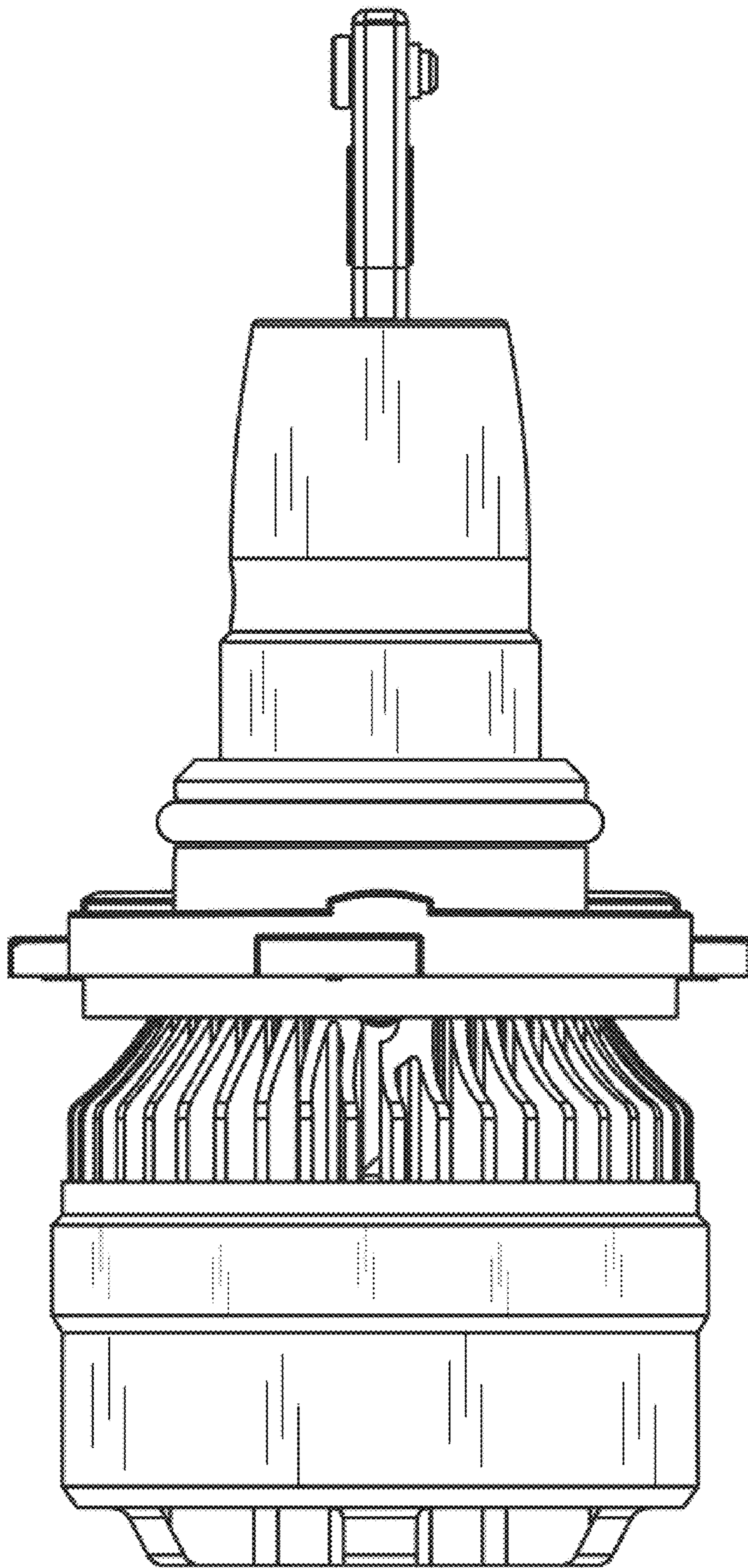


FIG. 3

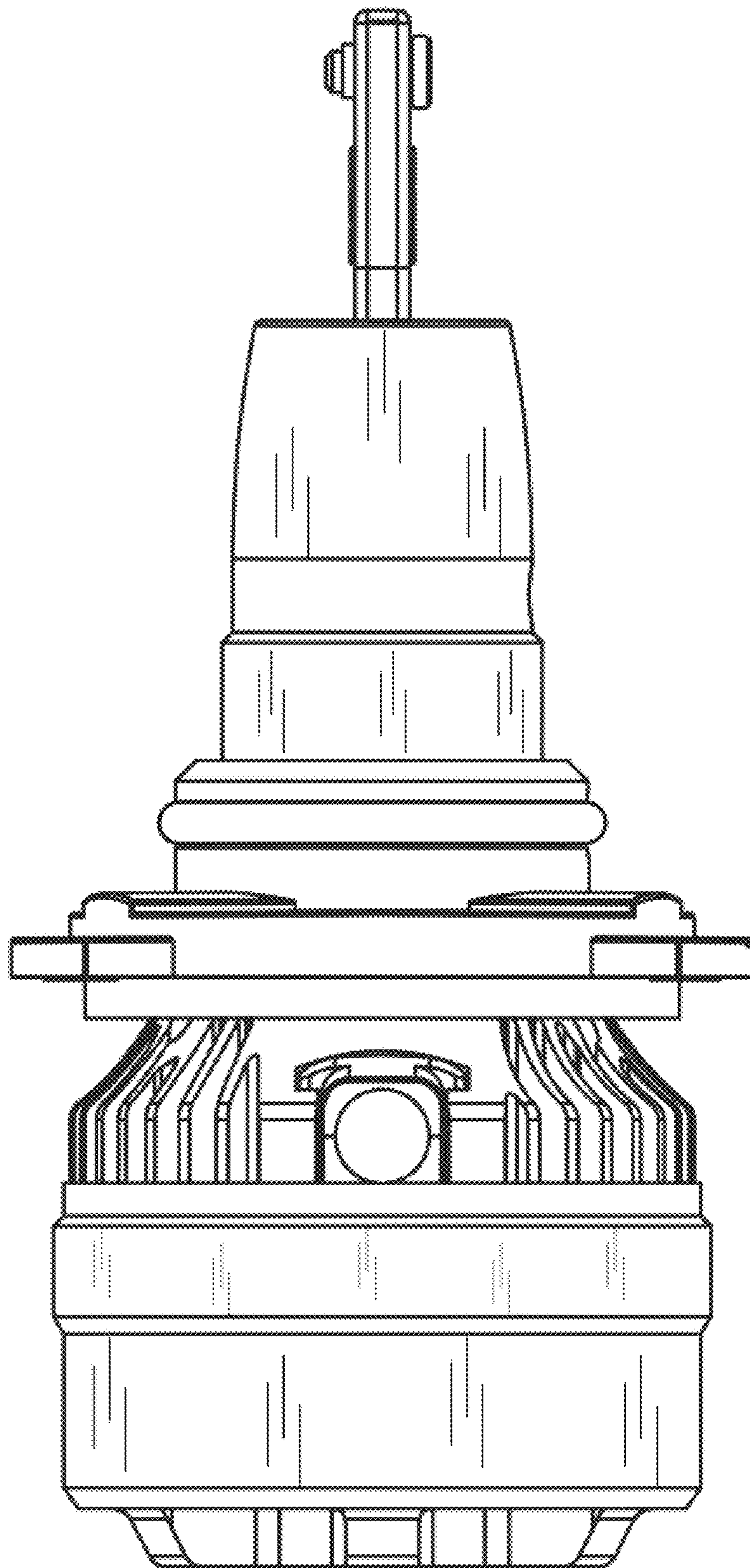


FIG. 4

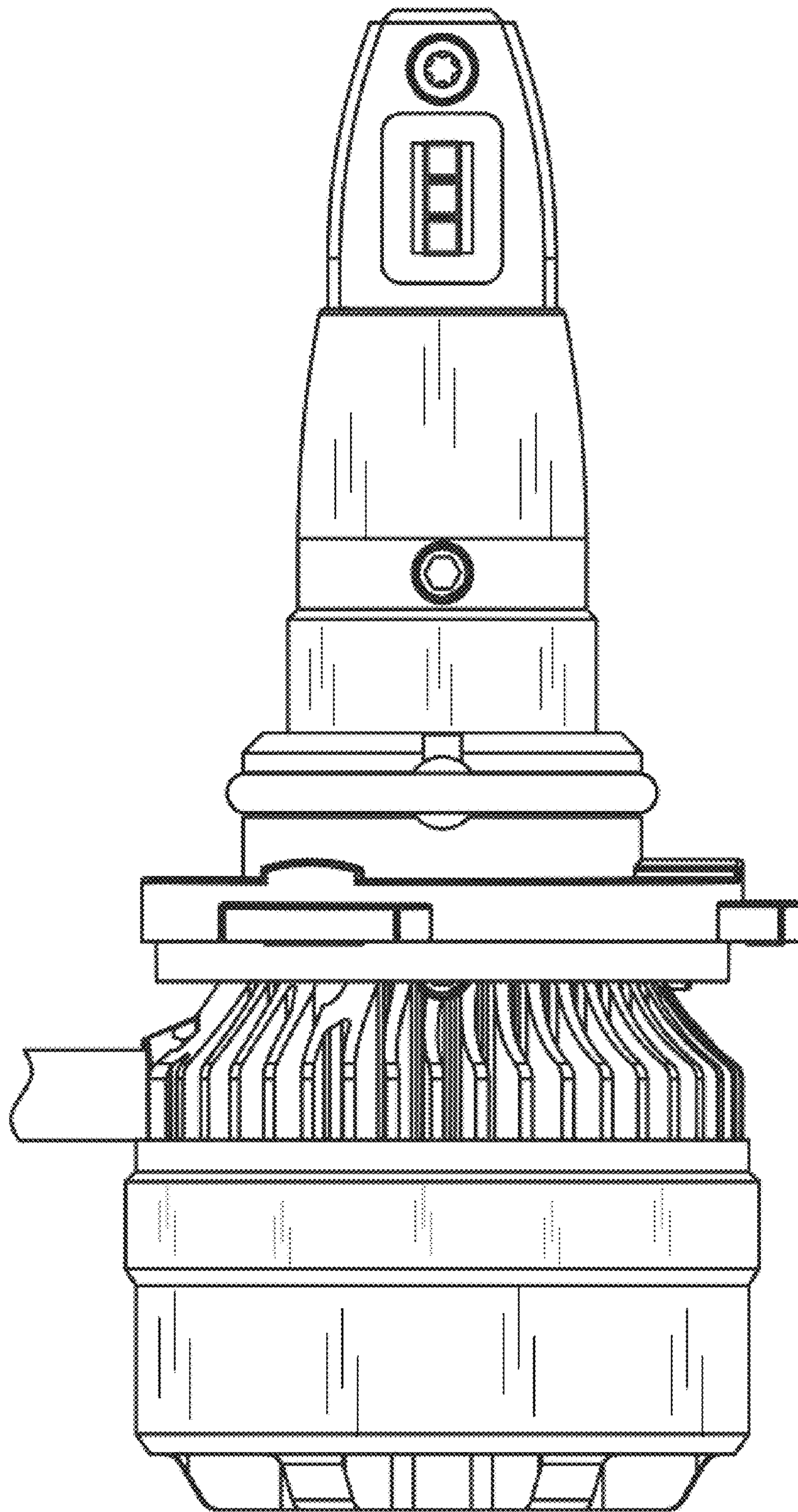


FIG. 5

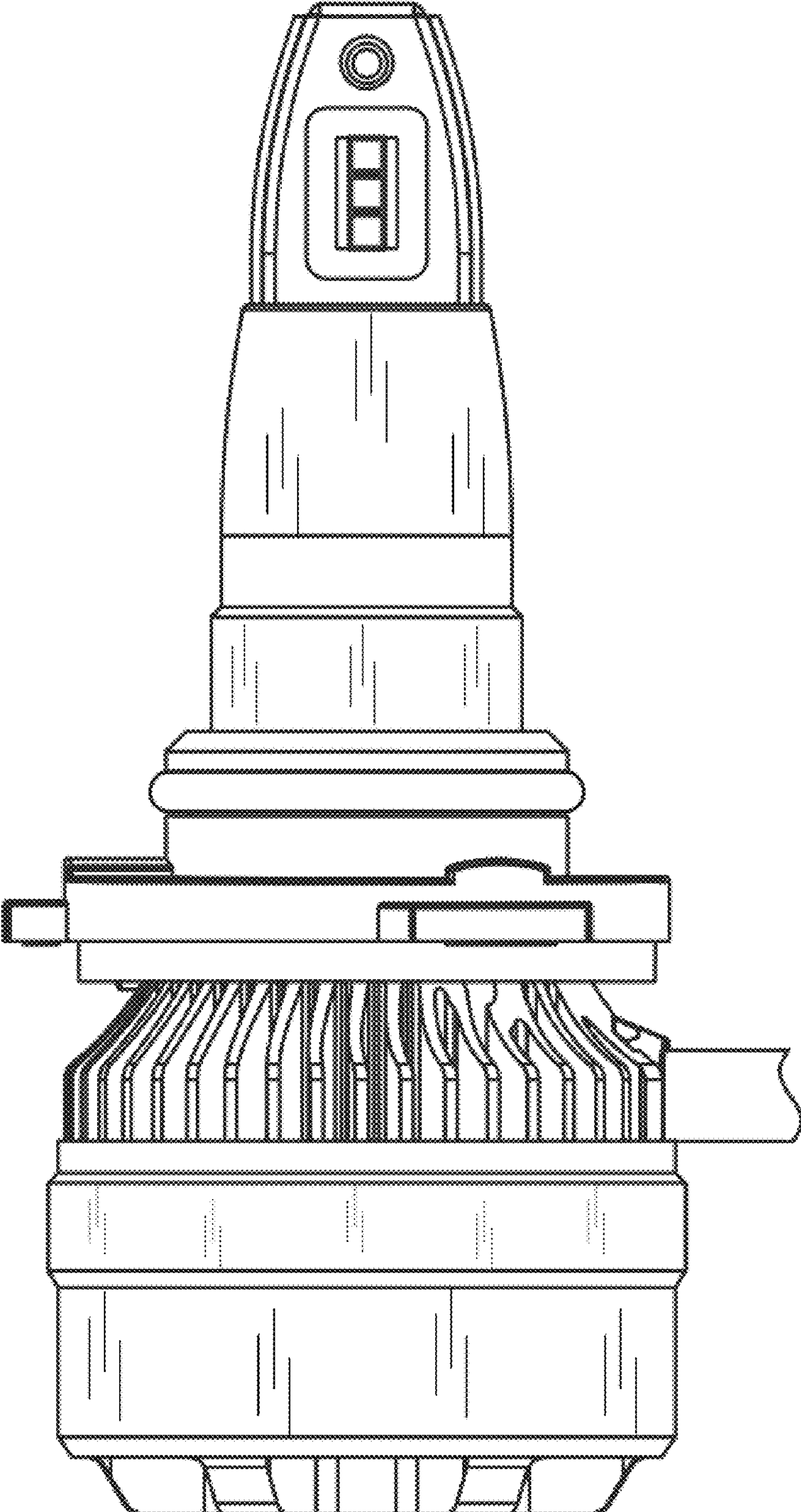


FIG. 6

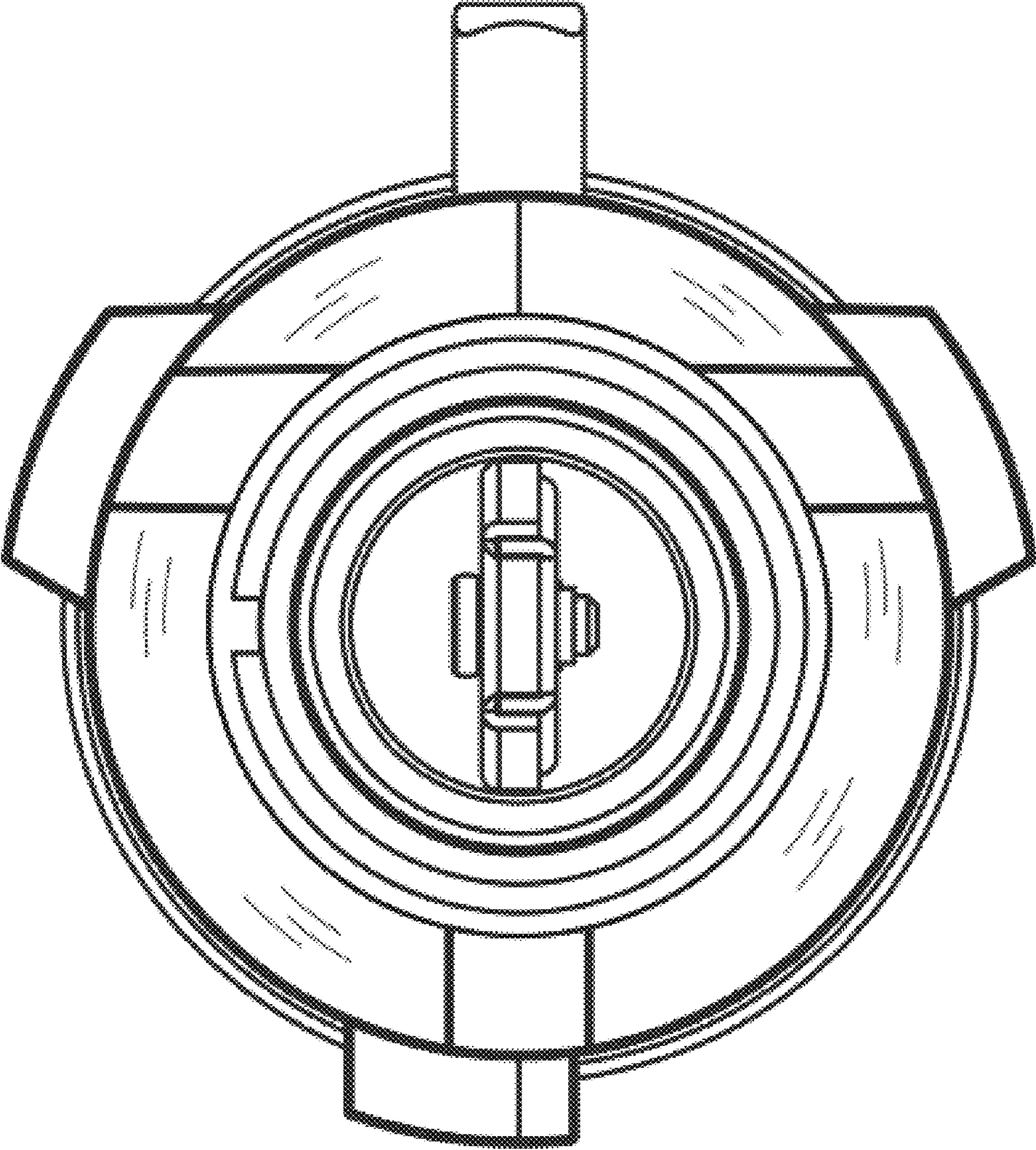


FIG. 7



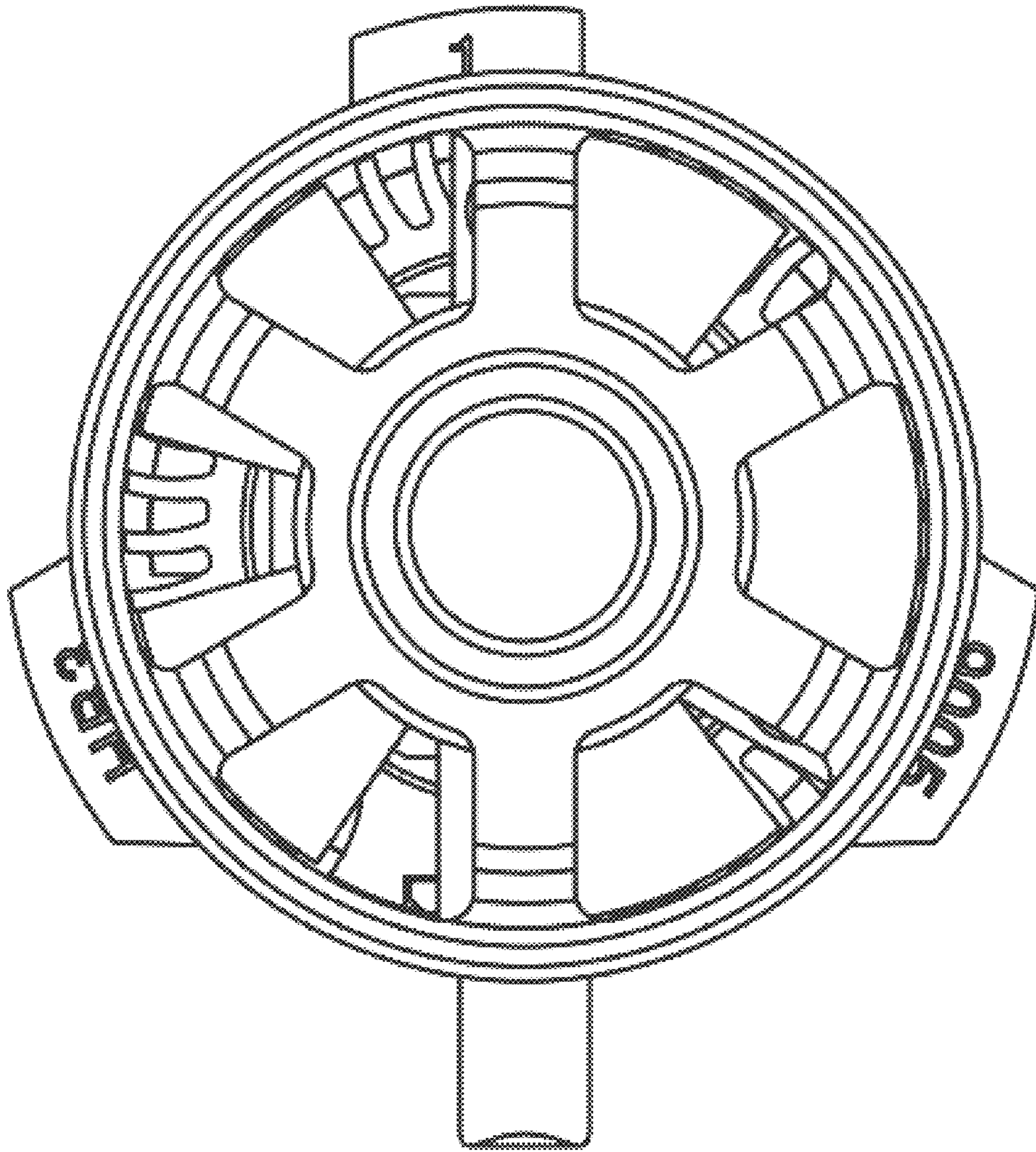


FIG. 8

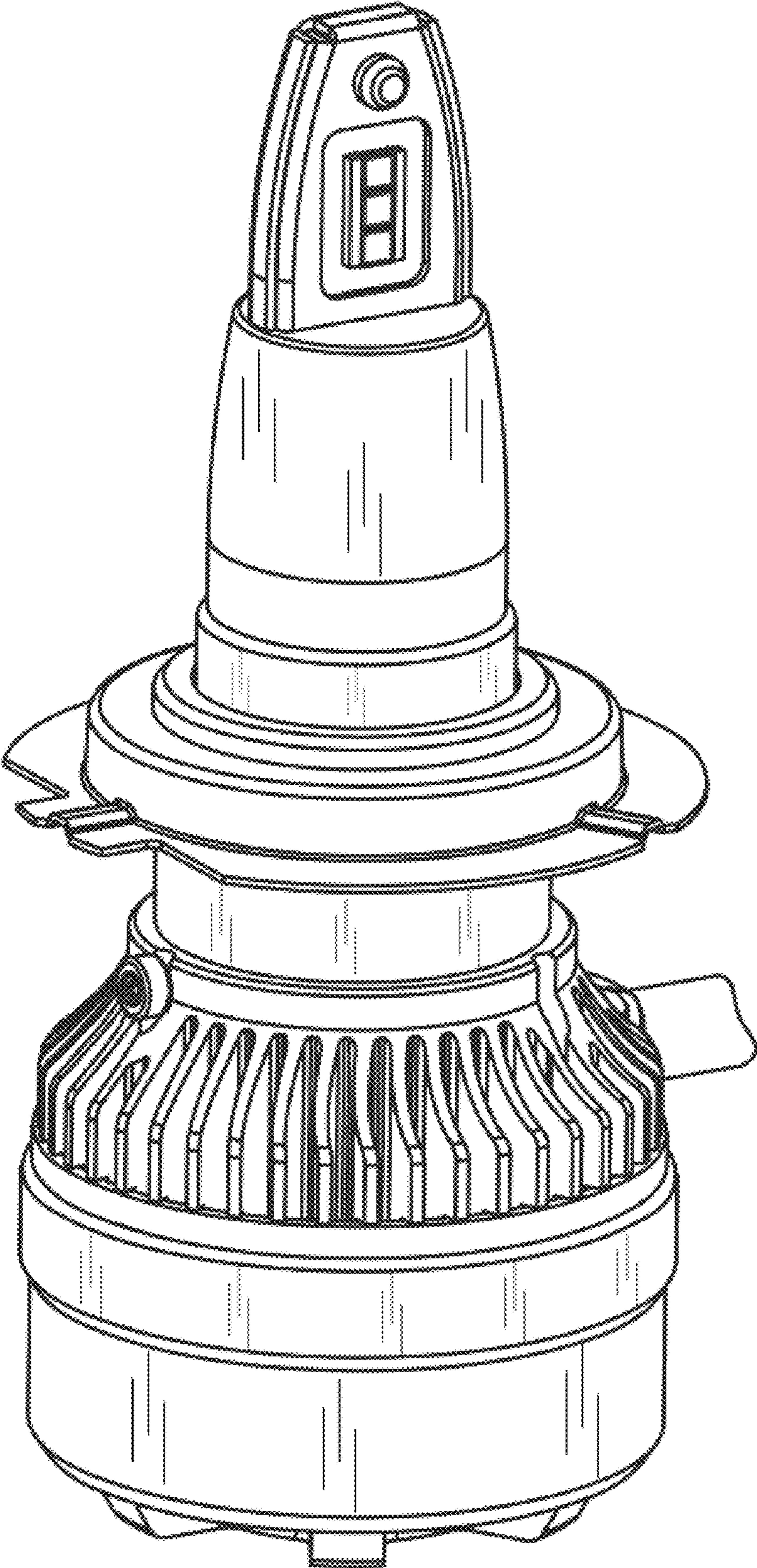


FIG. 9

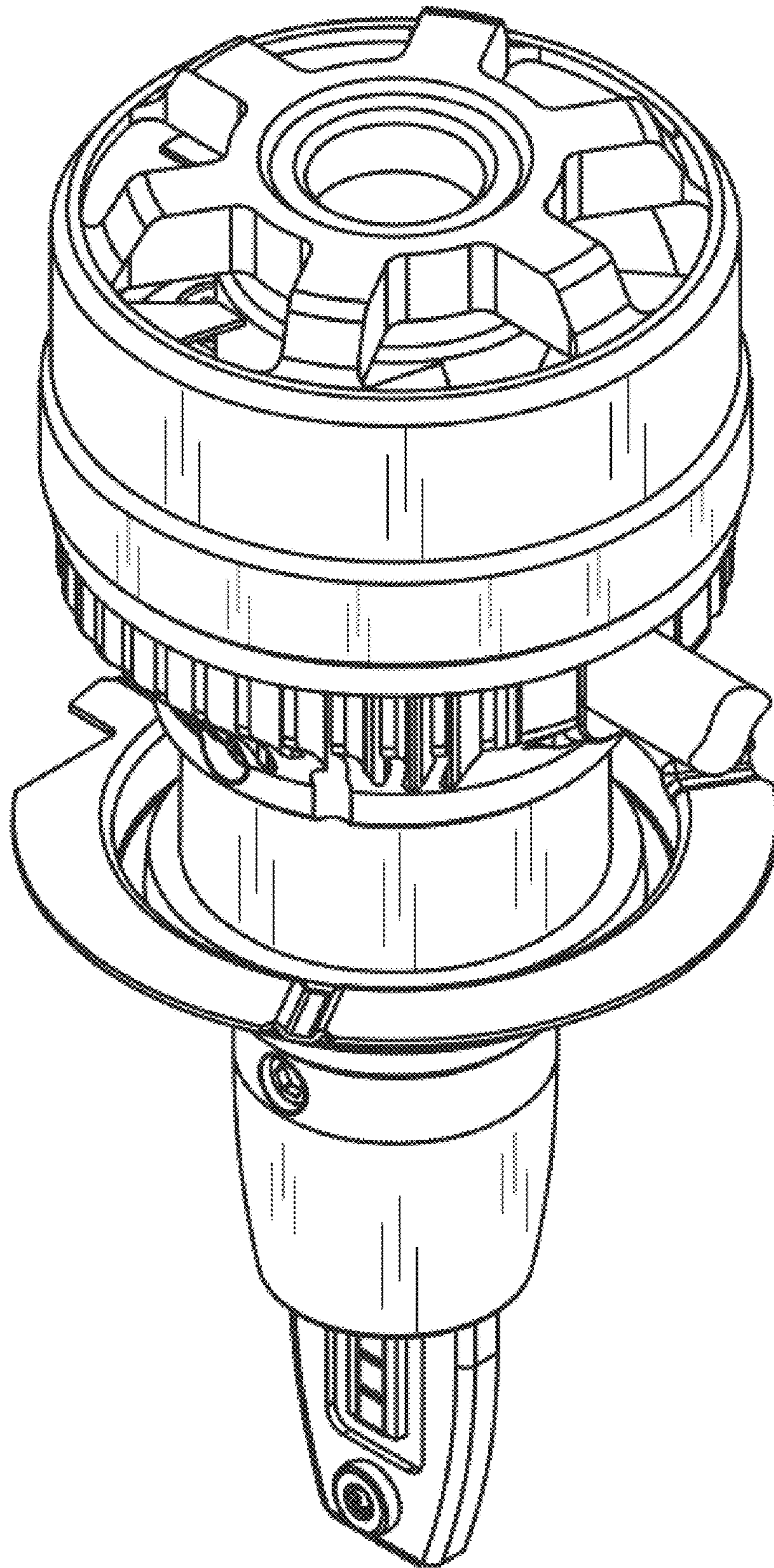


FIG. 10

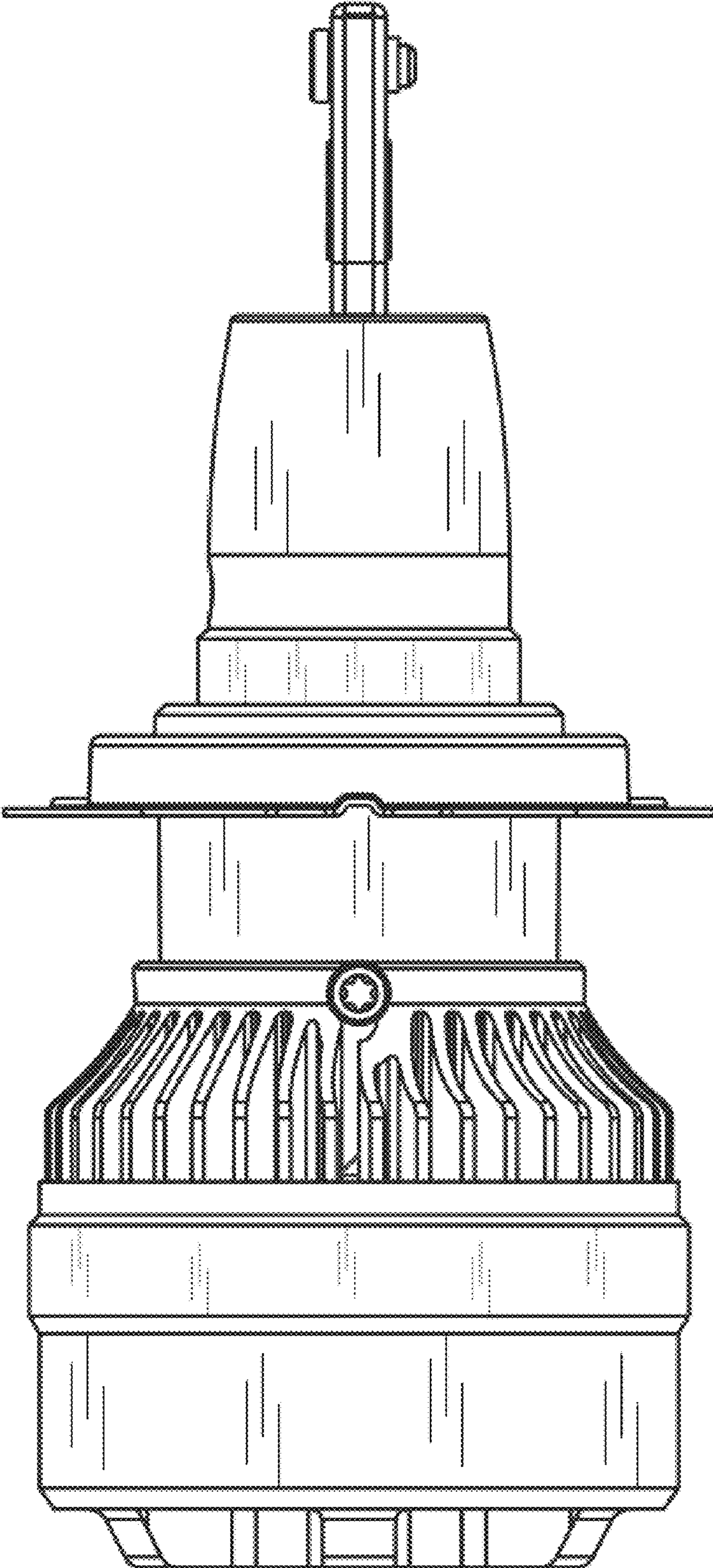


FIG. 11

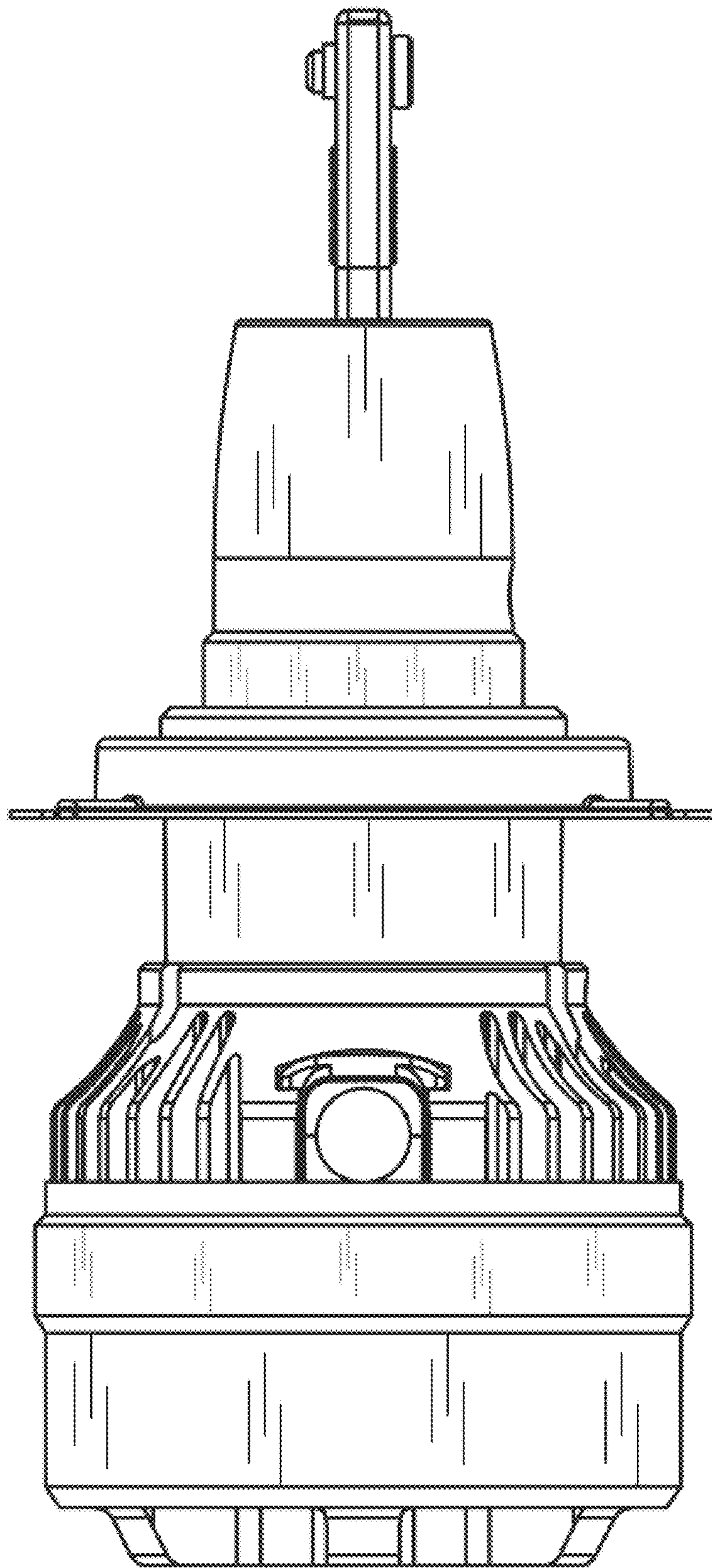


FIG. 12

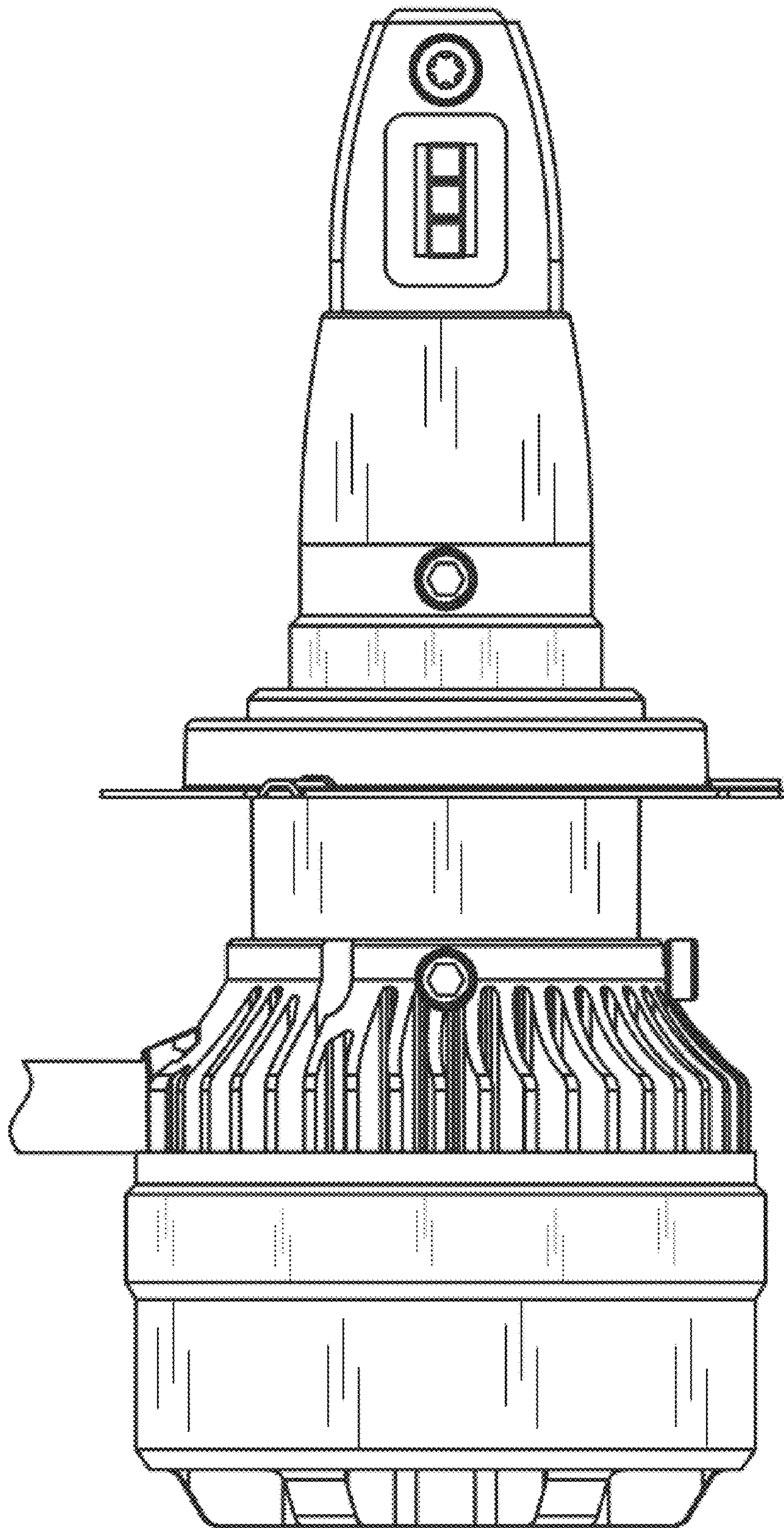


FIG. 13

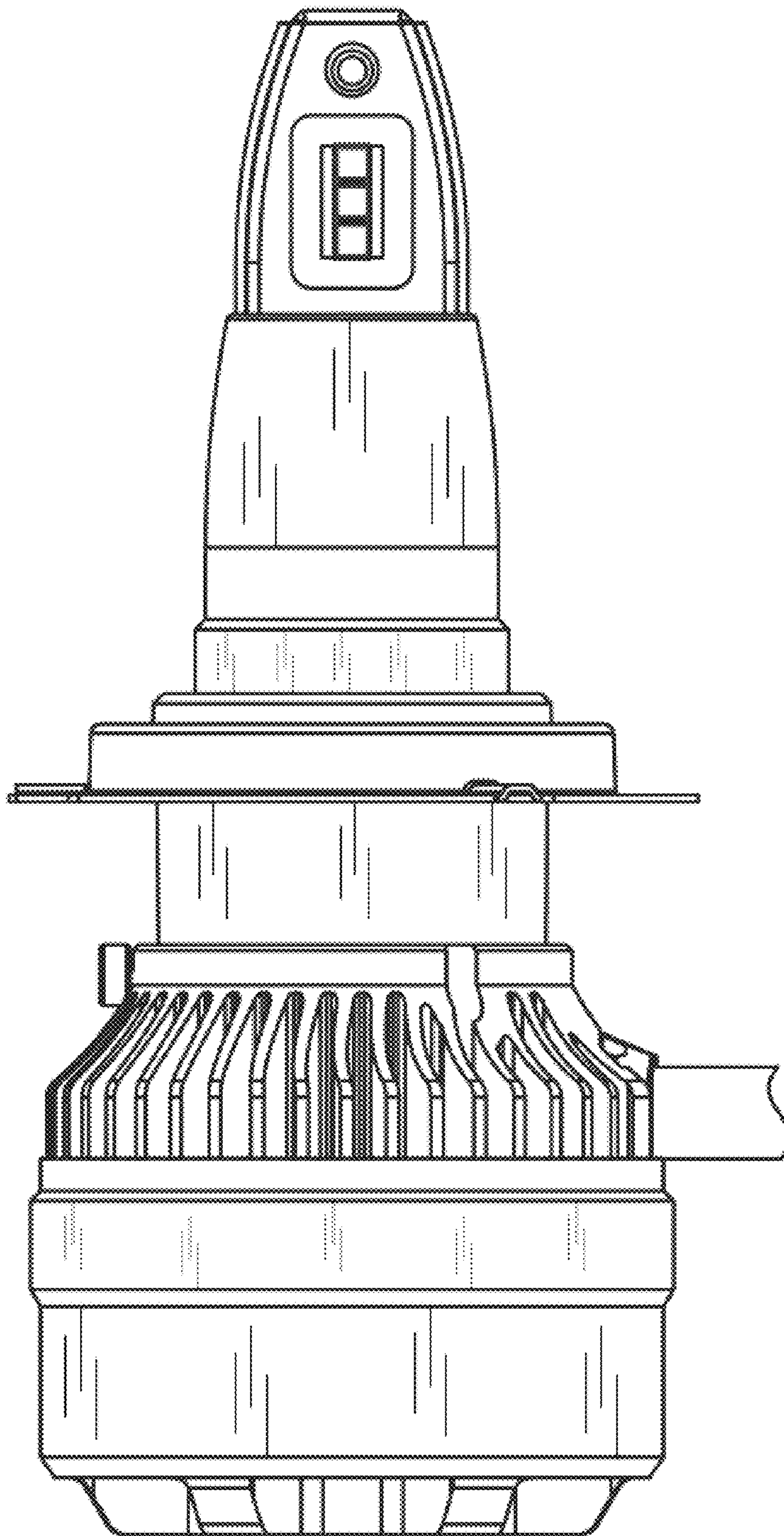


FIG. 14

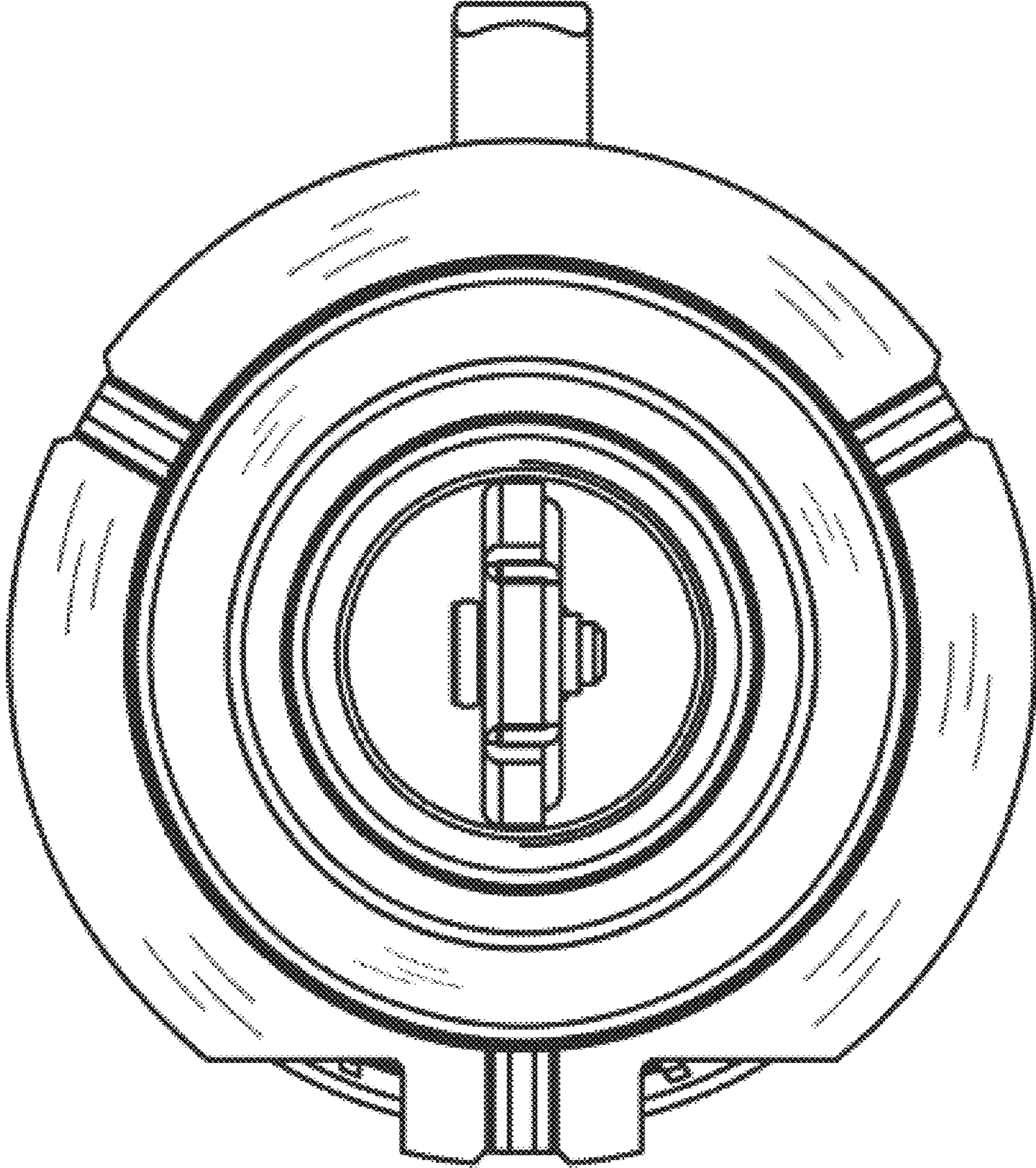


FIG. 15



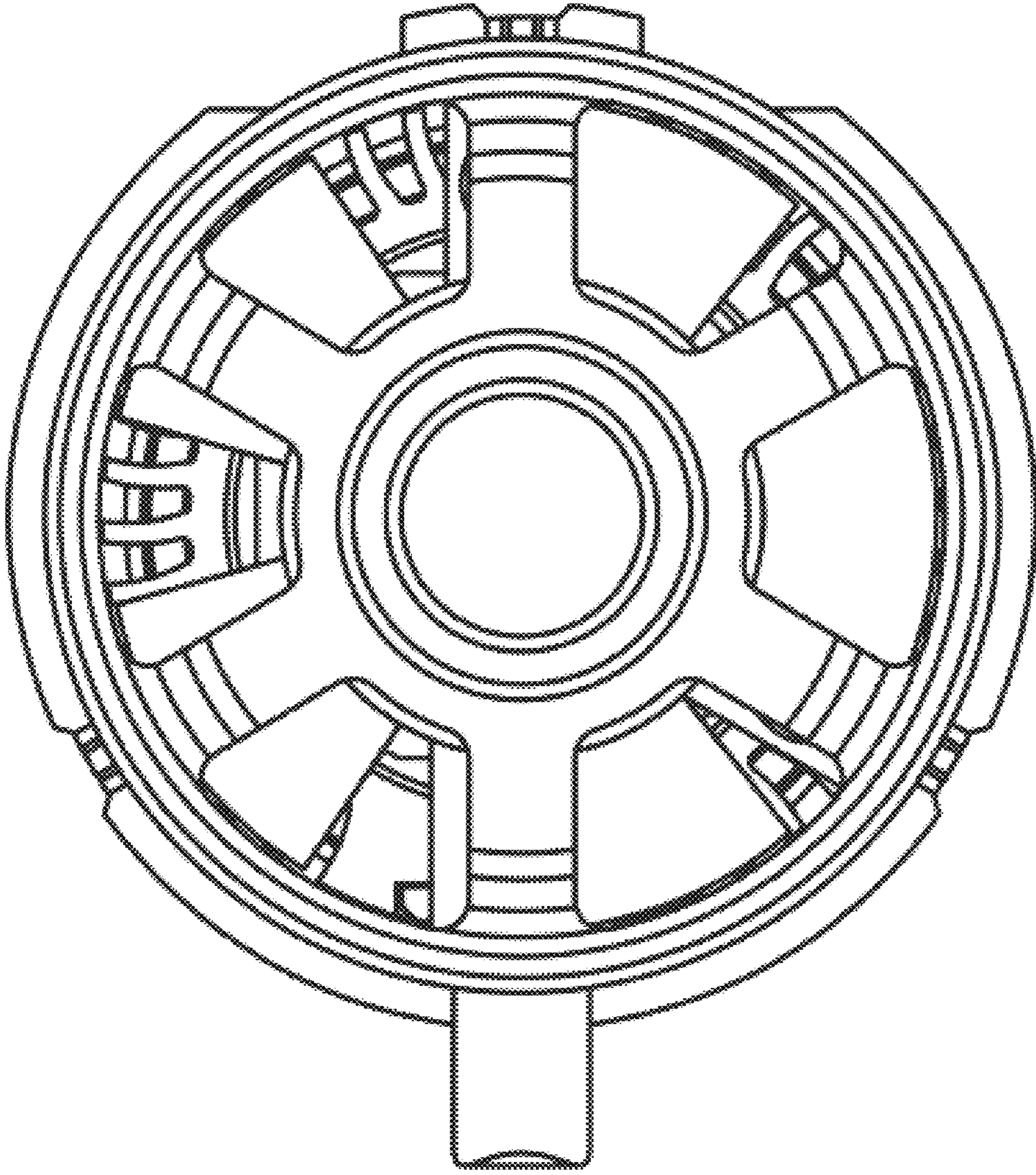


FIG. 16

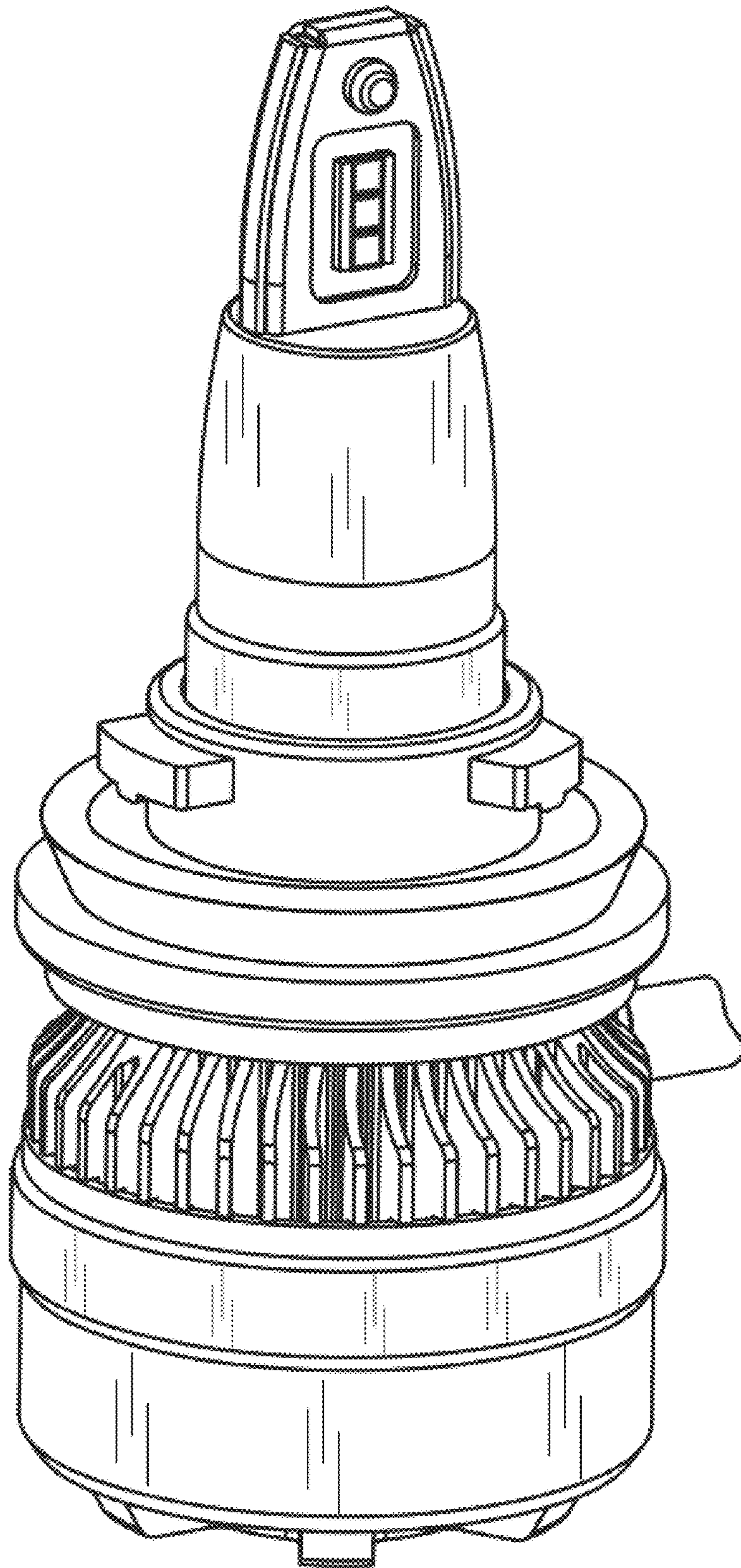


FIG. 17

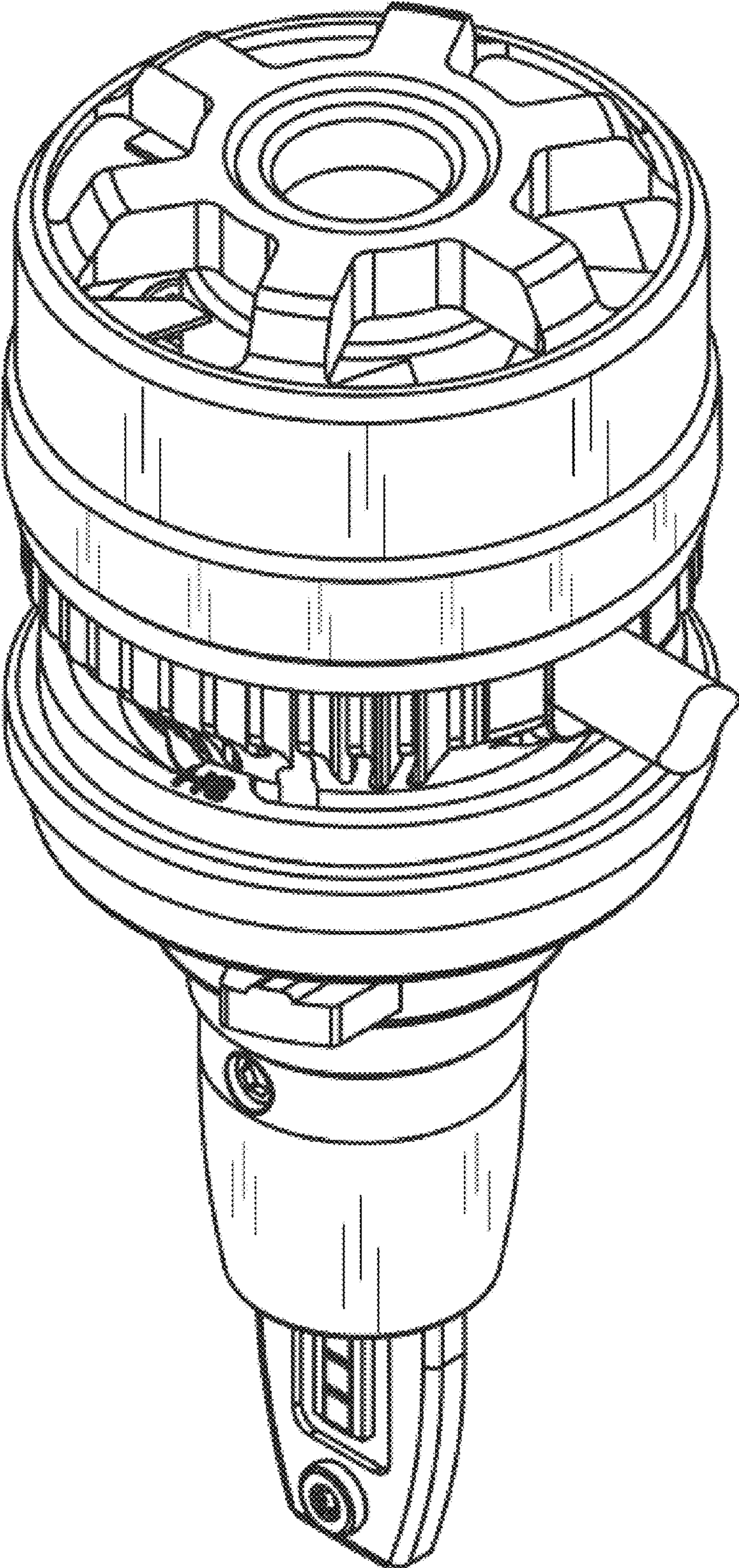


FIG. 18

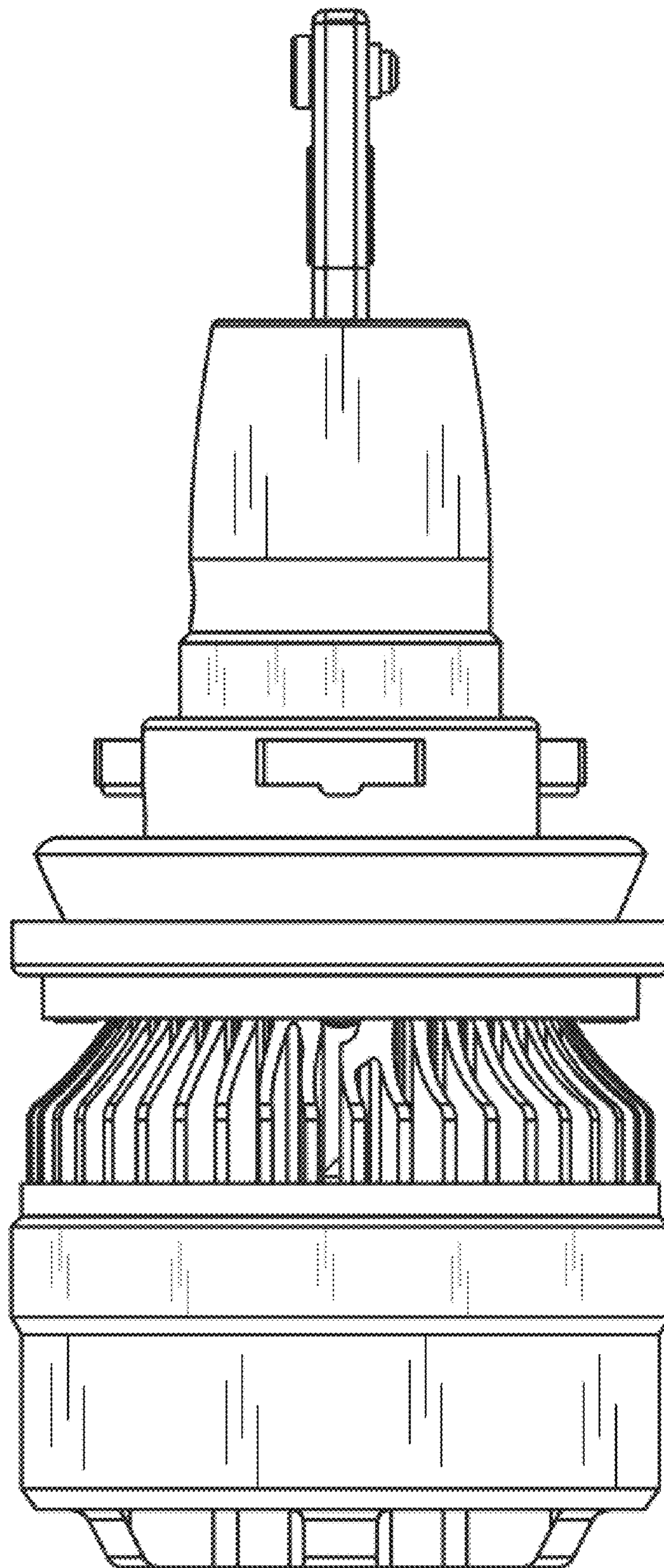


FIG. 19

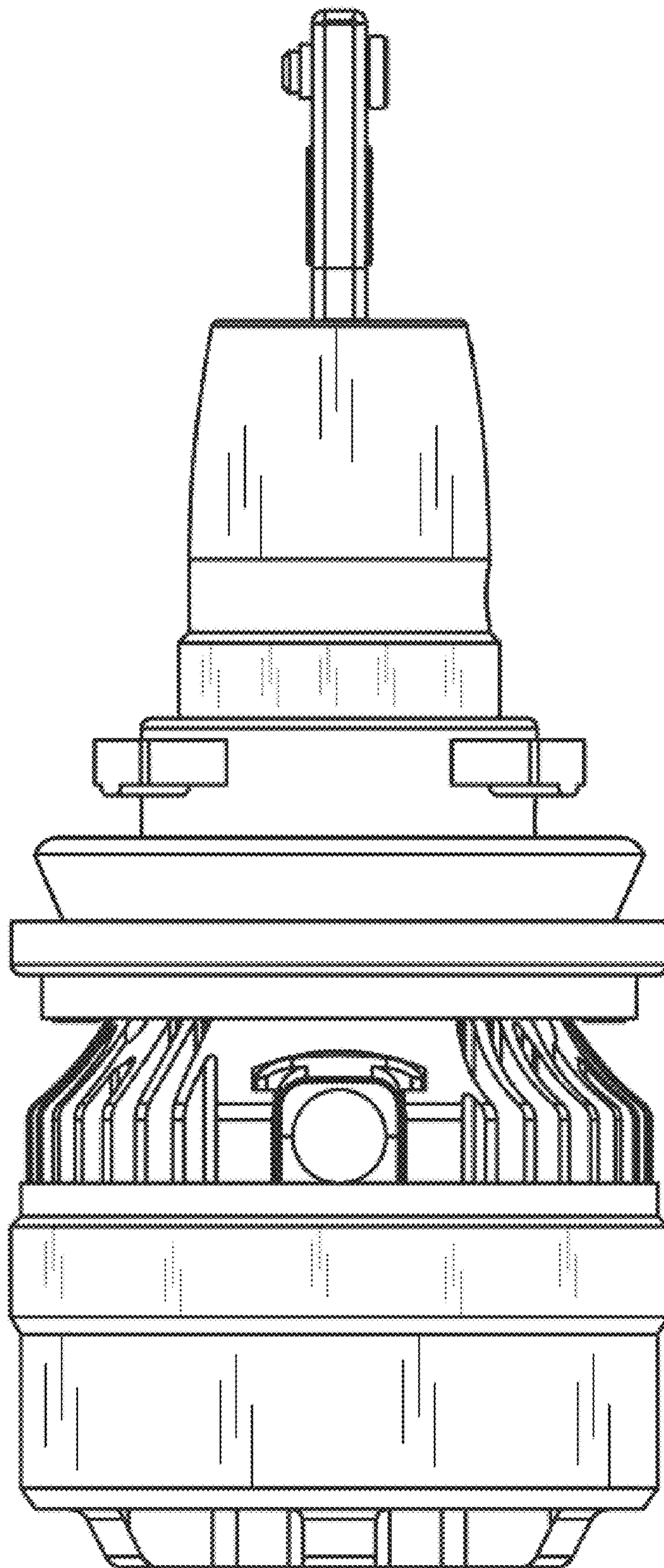


FIG. 20

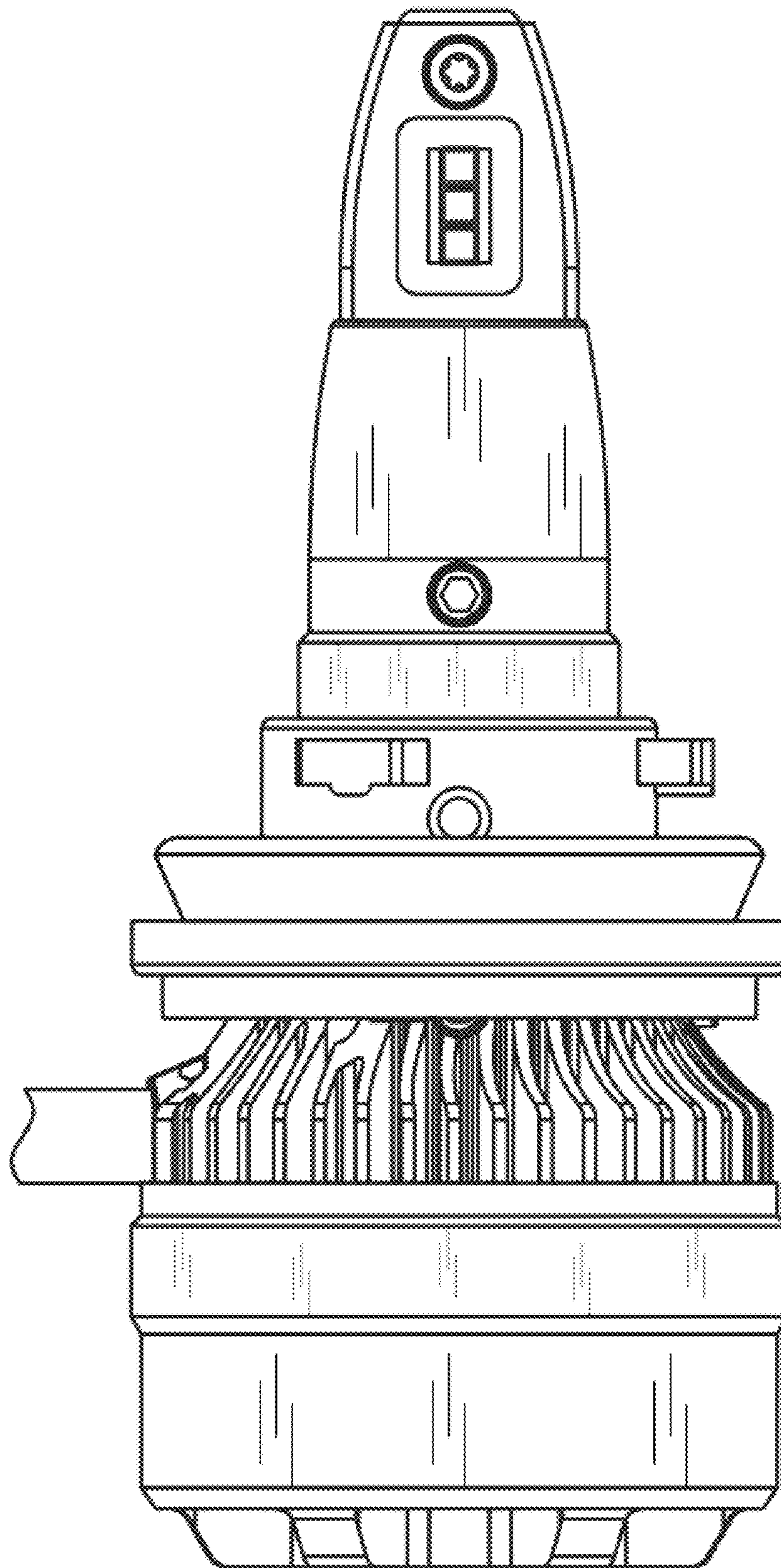


FIG. 21

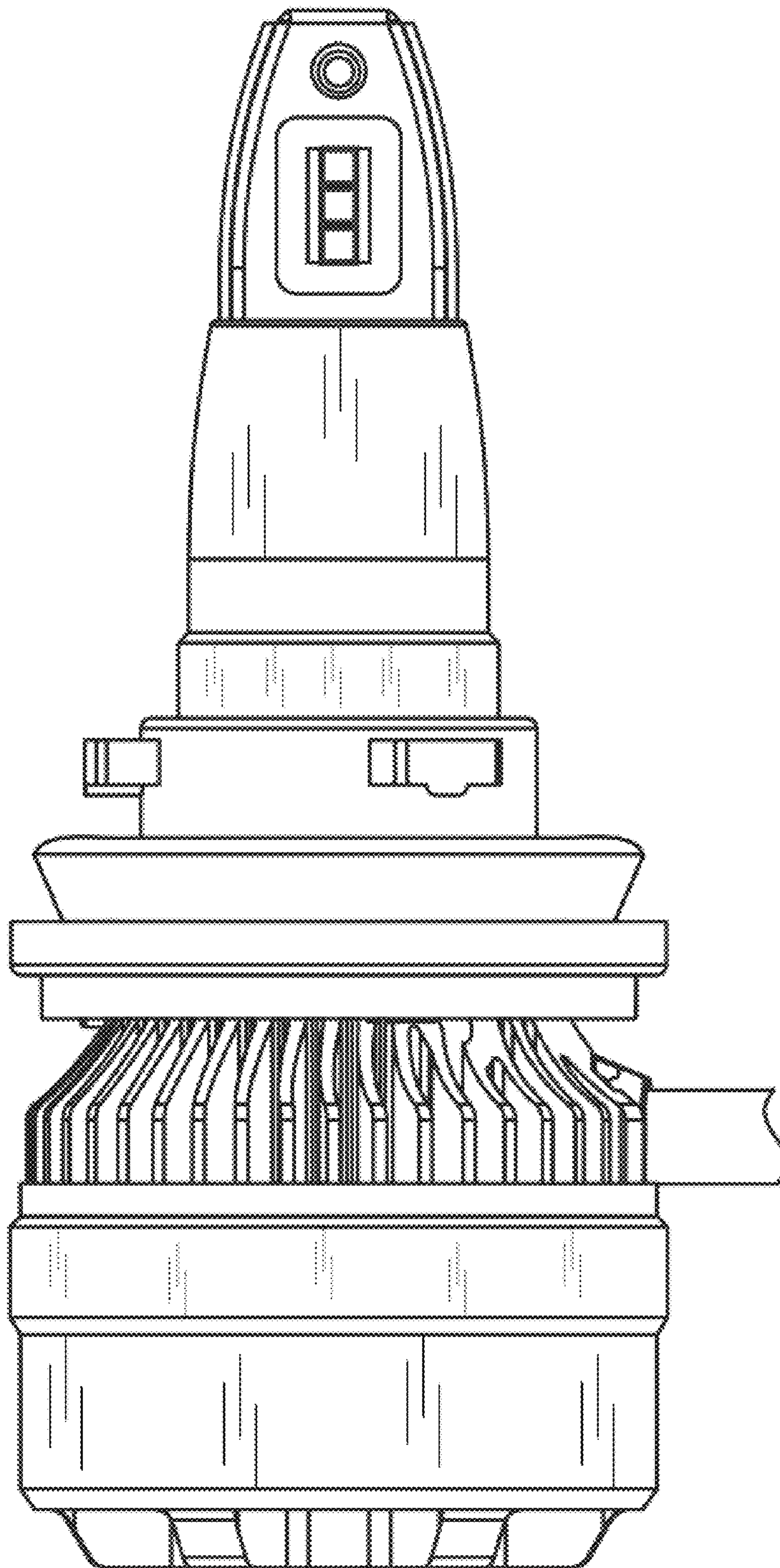


FIG. 22

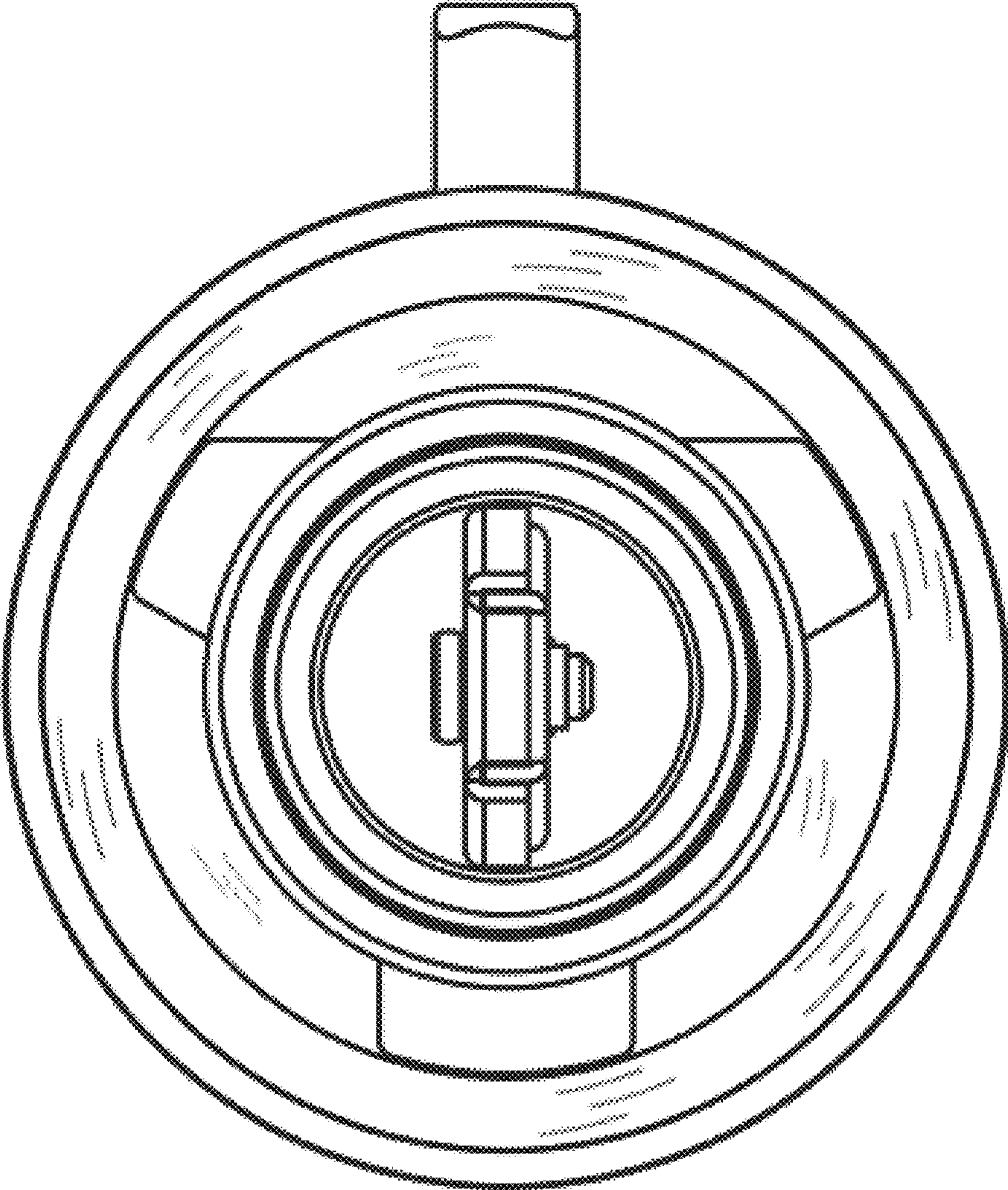


FIG. 23



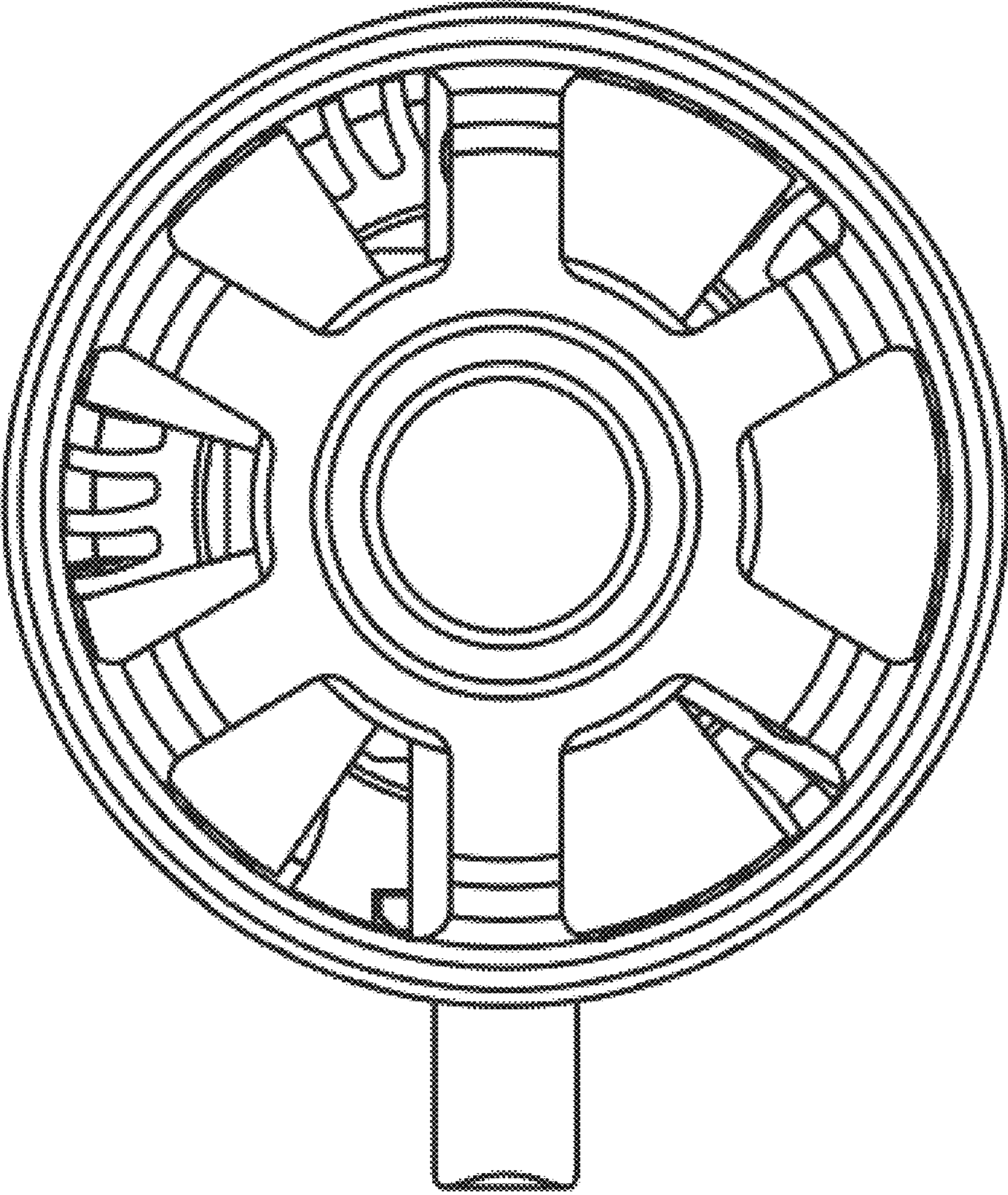


FIG. 24