



US00D884226S

(12) **United States Design Patent**
Yang

(10) **Patent No.:** **US D884,226 S**

(45) **Date of Patent:** **** May 12, 2020**

(54) **HEADLIGHT**

(71) Applicant: **Zhong-Sheng Yang**, Hunan Province
(CN)

(72) Inventor: **Zhong-Sheng Yang**, Hunan Province
(CN)

(73) Assignee: **Guangzhou Chengguang electronic
Technology Co., Ltd.**, Guangzhou (CN)

(**) Term: **15 Years**

(21) Appl. No.: **29/678,003**

(22) Filed: **Jan. 25, 2019**

(51) **LOC (12) Cl.** **26-06**

(52) **U.S. Cl.**
USPC **D26/28**

(58) **Field of Classification Search**
USPC D26/28, 29, 30, 31, 32, 33, 34, 35, 36;
362/459-468, 475-478, 485-487
CPC F21S 48/00; F21S 48/10; F21S 48/115;
F21S 48/225; F21S 48/1233; F21S
48/1266; F21S 48/1388; F21S 48/2268;
F21V 21/04
See application file for complete search history.

(56) **References Cited**

U.S. PATENT DOCUMENTS

D626,668 S * 11/2010 Grebert D26/28
D639,468 S * 6/2011 Huang D26/28

D690,853 S * 10/2013 Huang D26/28
D823,500 S * 7/2018 Liao D26/28
D824,055 S * 7/2018 Chi D26/28
D825,802 S * 8/2018 Chi D26/31
D833,046 S * 11/2018 Jiang D26/28
D849,288 S * 5/2019 Redlich D26/28
D857,261 S * 8/2019 Xie D26/28
D858,825 S * 9/2019 Dinant D26/28
D864,444 S * 10/2019 Lin D26/28
D869,704 S * 12/2019 Wu D26/28
D869,705 S * 12/2019 Wu D26/28

* cited by examiner

Primary Examiner — Angela J Lee

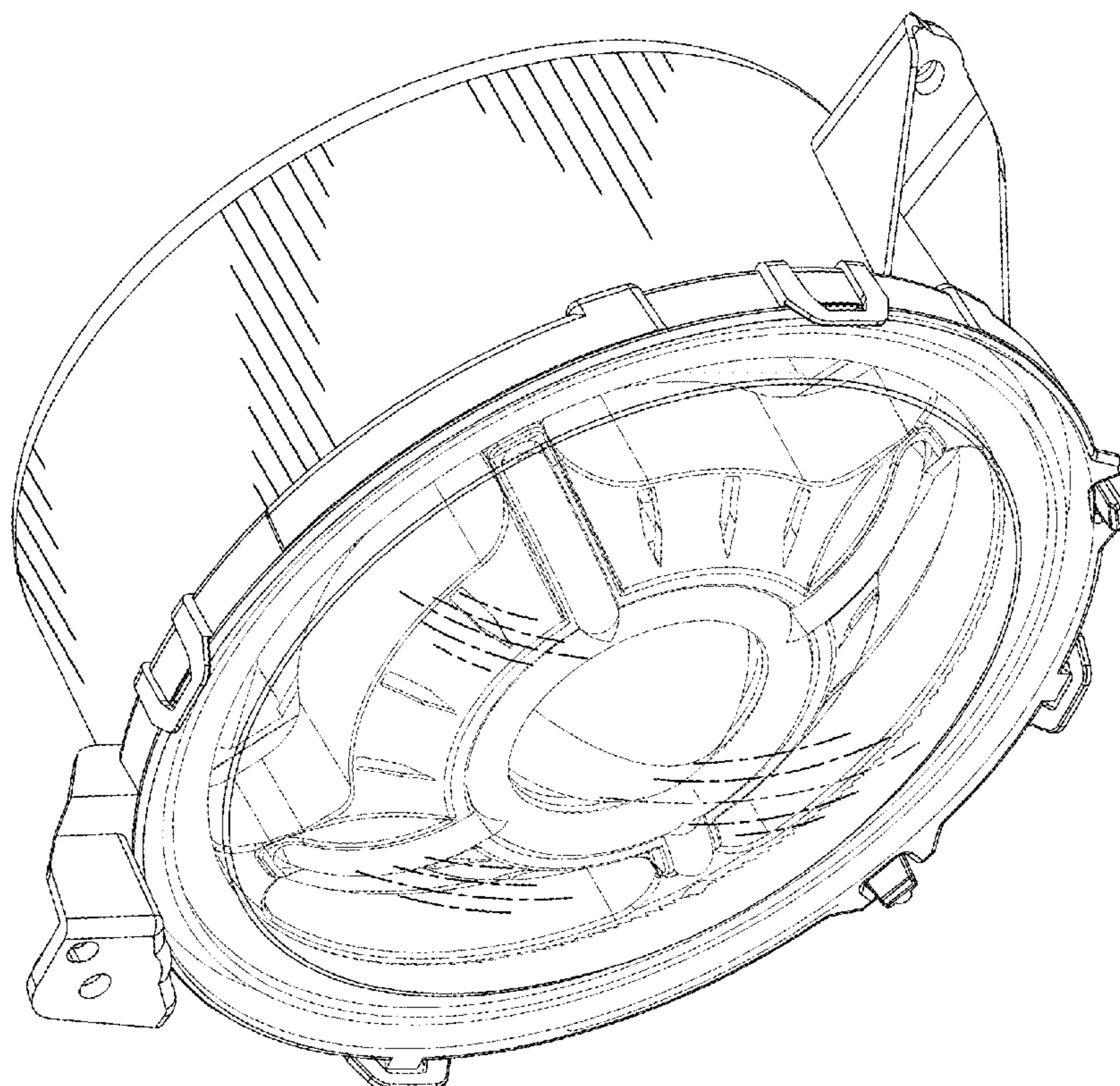
(57) **CLAIM**

The ornamental design for a headlight, as shown and described.

DESCRIPTION

FIG. 1 is a perspective view of a headlight showing my new design;
FIG. 2 is a front elevational view thereof;
FIG. 3 is a top plan view thereof;
FIG. 4 is a left side elevational view thereof;
FIG. 5 is a rear elevational view thereof;
FIG. 6 is a right side view thereof; and,
FIG. 7 is a bottom plan view thereof.

1 Claim, 7 Drawing Sheets



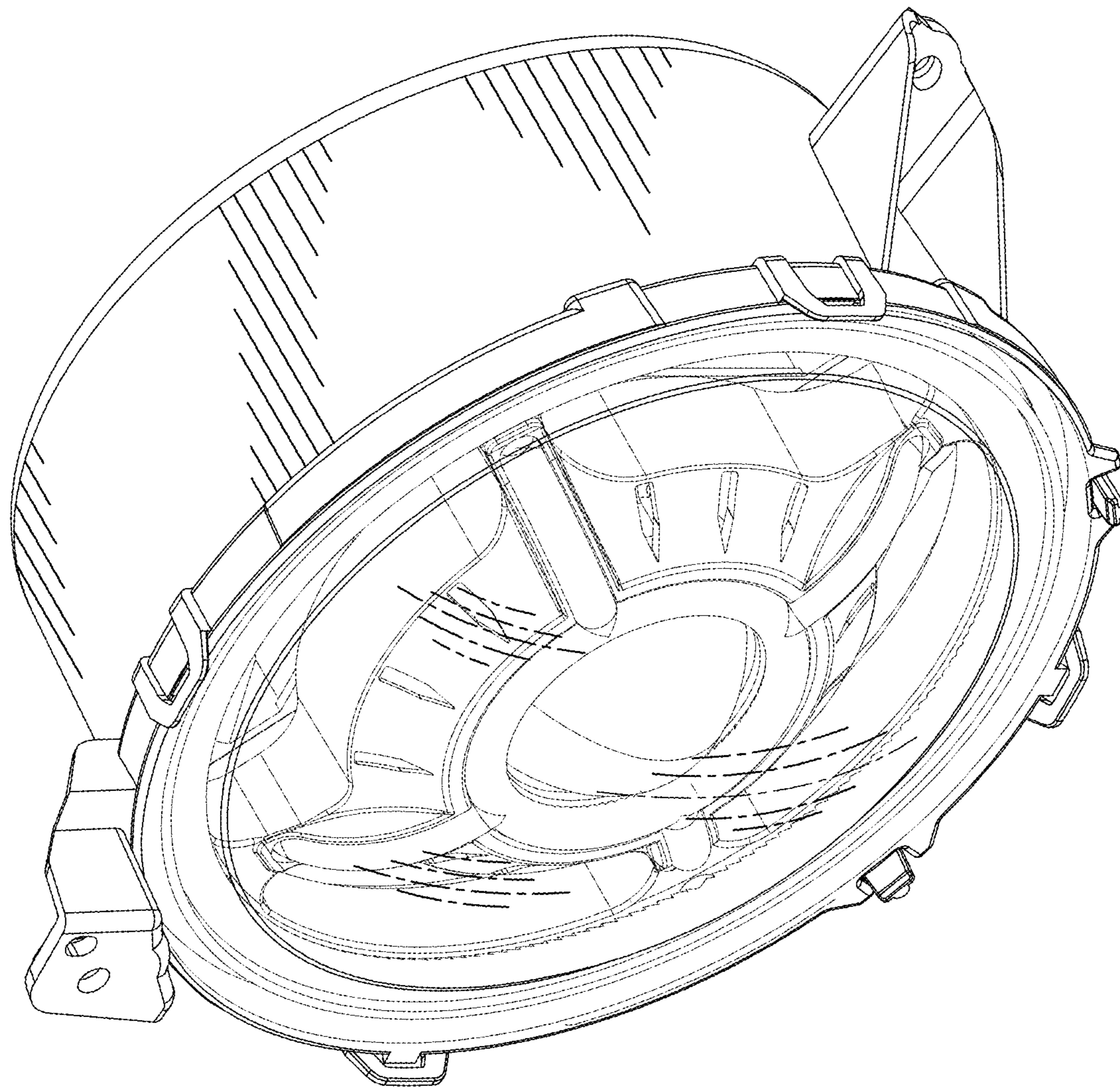


FIG. 1

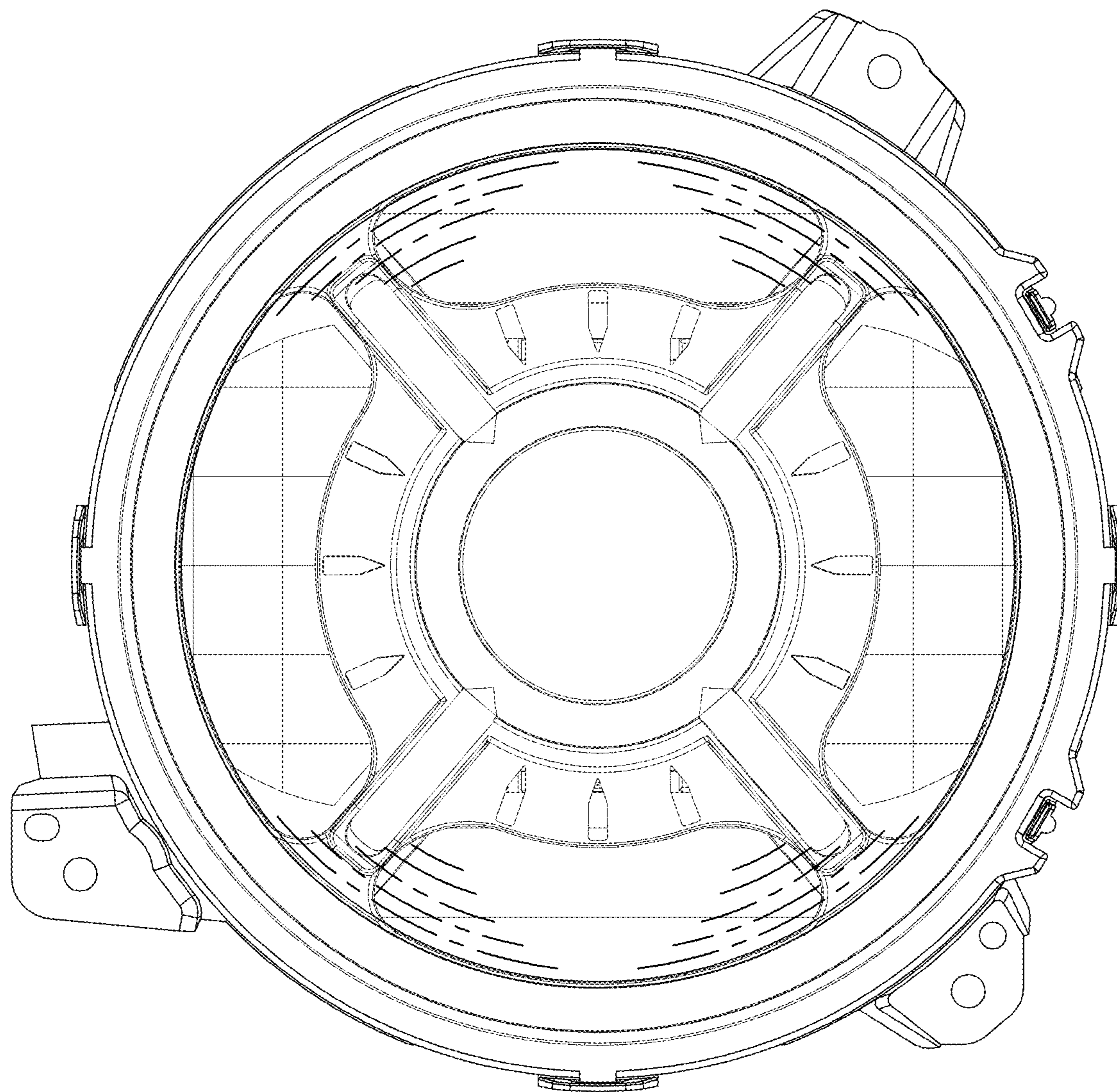


FIG. 2

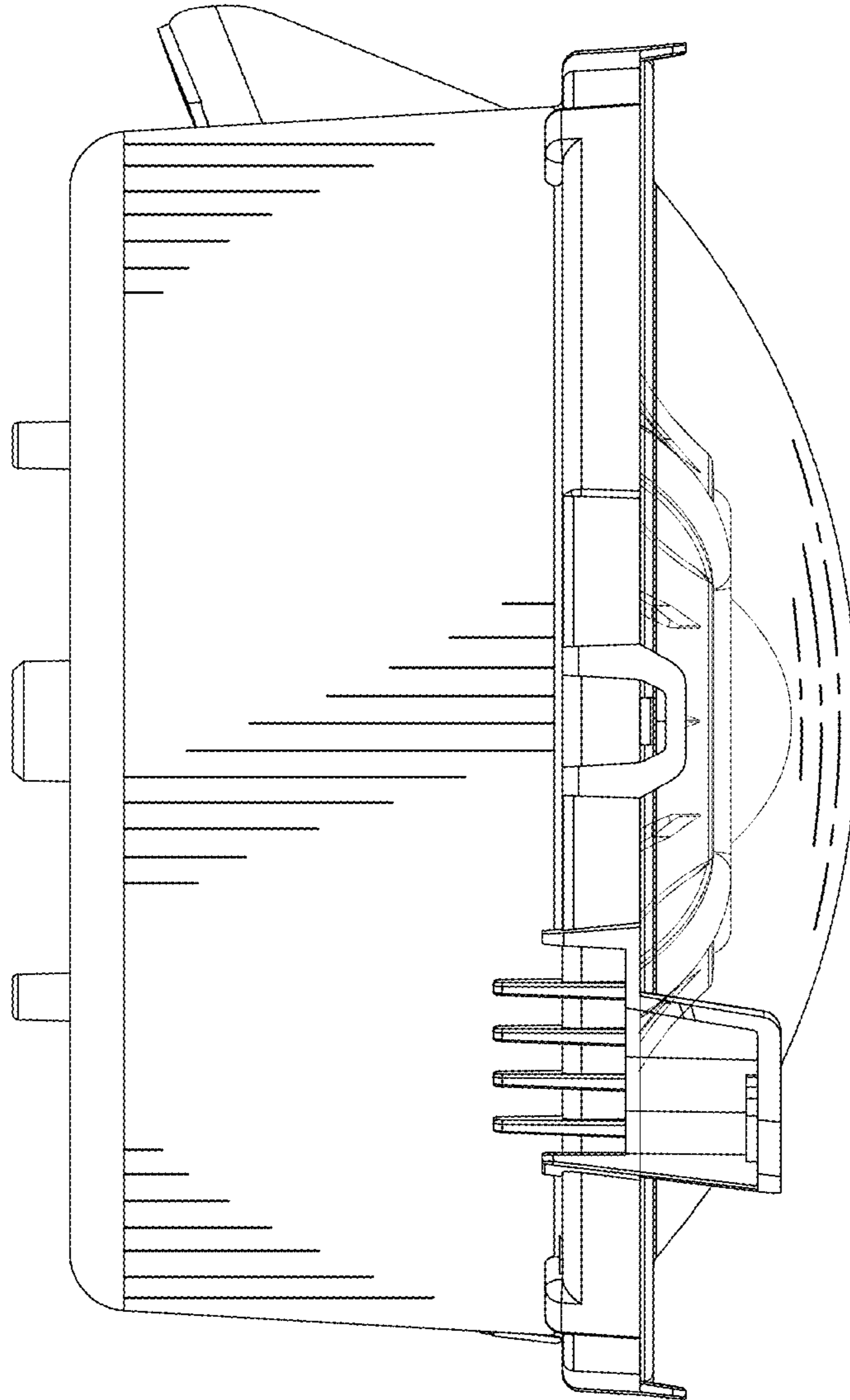


FIG. 3

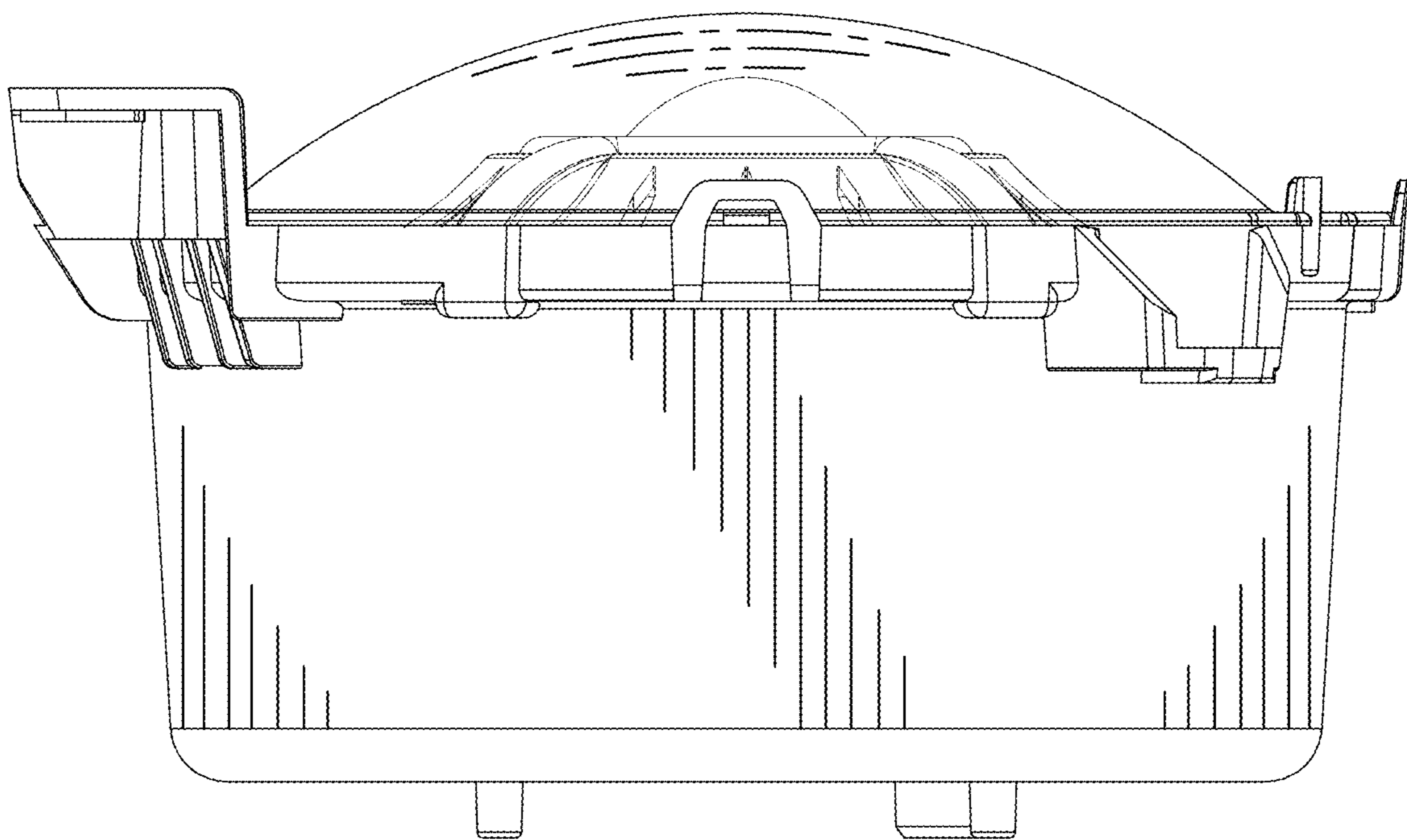


FIG. 4

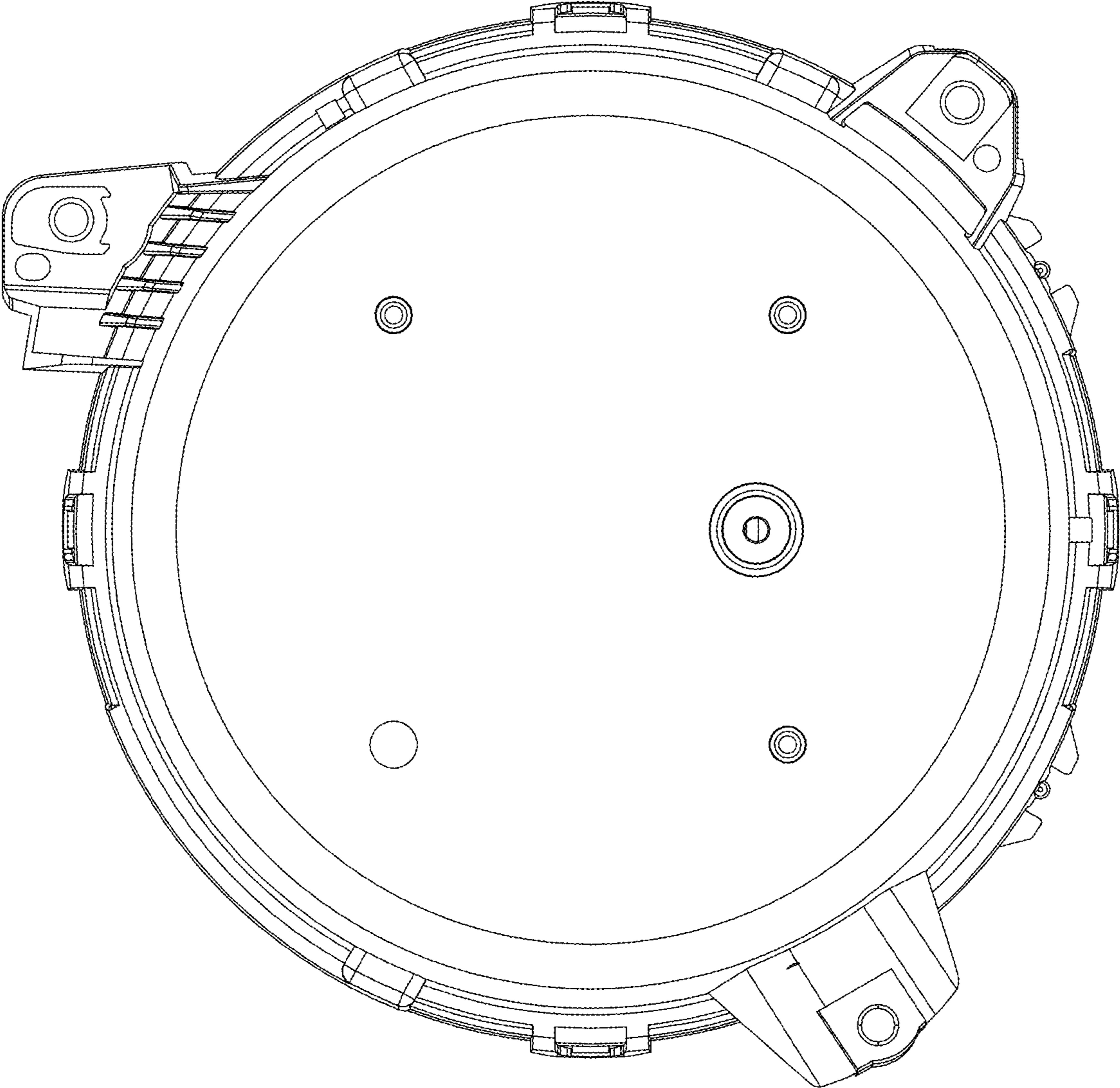


FIG. 5

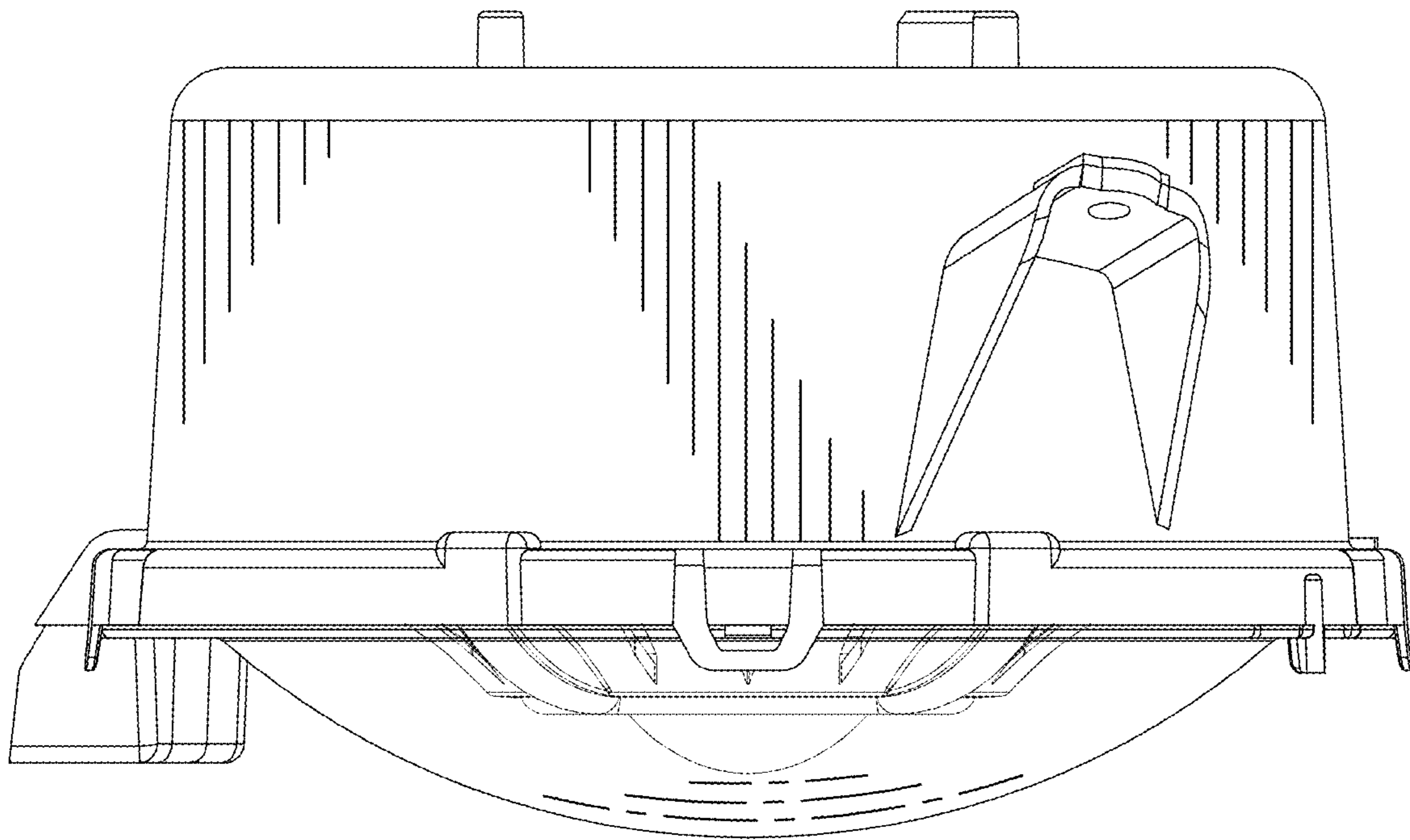


FIG. 6

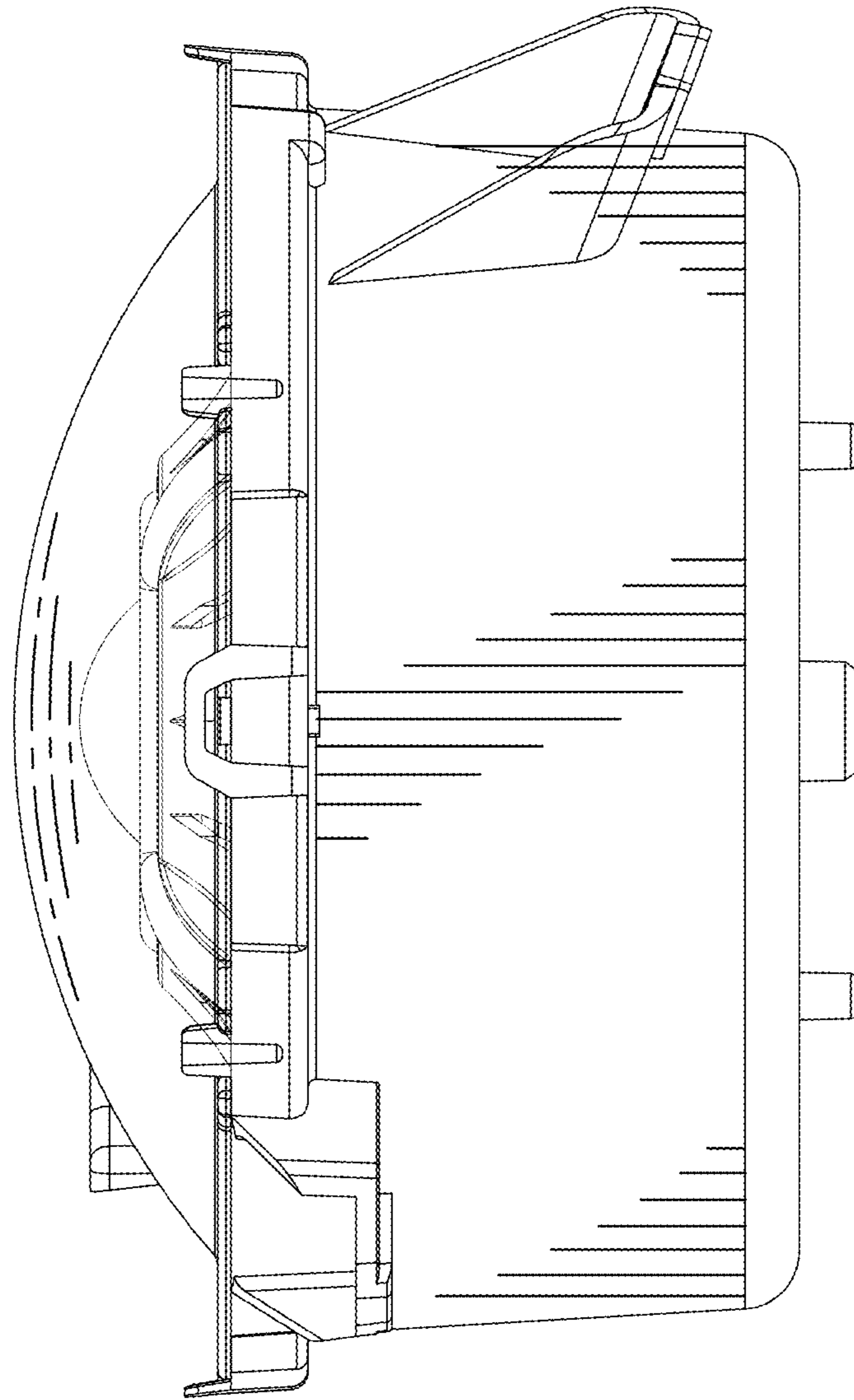


FIG. 7