



US00D884222S

(12) **United States Design Patent** (10) **Patent No.:** **US D884,222 S**
Feit (45) **Date of Patent:** **** May 12, 2020**

(54) **LIGHTING FILAMENT**

(71) Applicant: **Feit Electric Company, Inc.**, Pico Rivera, CA (US)
(72) Inventor: **Alan Barry Feit**, Encino, CA (US)
(73) Assignee: **Feit Electric Company, Inc.**, Pico Rivera, CA (US)

(**) Term: **15 Years**

(21) Appl. No.: **29/660,749**

(22) Filed: **Aug. 22, 2018**

(51) **LOC (12) Cl.** **26-04**

(52) **U.S. Cl.**
USPC **D26/3; D13/117**

(58) **Field of Classification Search**
USPC D13/101, 110, 117, 184, 199; D26/1, 2, D26/3, 4, 27, 113
CPC . F21V 29/00; F21V 5/00; F21K 9/232; F21K 9/237; H01R 13/46; H01R 13/514; H01R 31/048; H01R 31/02
See application file for complete search history.

(56) **References Cited**

U.S. PATENT DOCUMENTS

D301,760 S *	6/1989	Goutal	D23/366
D442,547 S *	5/2001	Takebuchi	D13/117
D465,038 S *	10/2002	Bragg	D26/27
D549,360 S *	8/2007	An	D26/2
D586,495 S *	2/2009	Watanabe	D26/113
D623,321 S *	9/2010	Levine	D26/25
2016/0377237 A1 *	12/2016	Zhang	H01L 27/15 362/311.02
2018/0066812 A1 *	3/2018	Fan	F21V 3/061
2018/0094777 A1 *	4/2018	Vargas-Chambers	F21V 3/12

OTHER PUBLICATIONS

[https://www.feit.com/product/hid-bulbshigh-pressure-sodiumlu150-med/150 Watt HID ED17](https://www.feit.com/product/hid-bulbshigh-pressure-sodiumlu150-med/150-Watt-HID-ED17), year 2017 (Year: 2017).*

* cited by examiner

Primary Examiner — Derrick E Holland
(74) *Attorney, Agent, or Firm* — Alston & Bird LLP

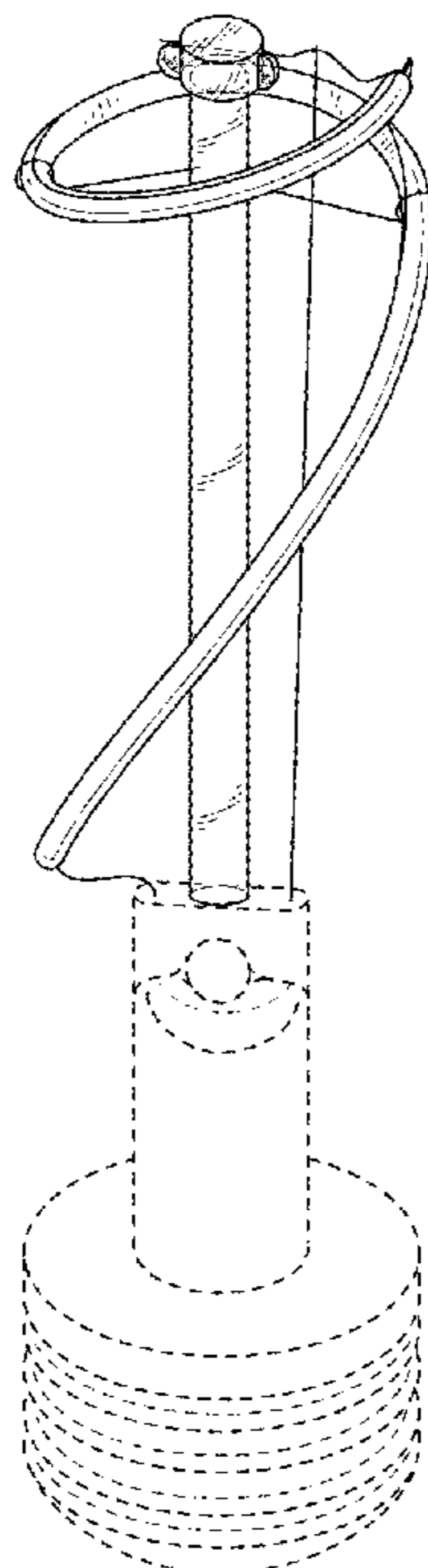
(57) **CLAIM**

I claim the ornamental design for a lighting filament, as shown and described.

DESCRIPTION

FIG. 1 is a perspective view of a lighting filament showing the new design;
FIG. 2 is a front elevation view of the lighting filament of FIG. 1;
FIG. 3 is a rear elevation view of the lighting filament of FIG. 1;
FIG. 4 is a left side elevation view of the lighting filament of FIG. 1;
FIG. 5 is a right side elevation view of the lighting filament of FIG. 1;
FIG. 6 is a top plan view of the lighting filament of FIG. 1; and,
FIG. 7 is a bottom plan view of the lighting filament of FIG. 1.
The broken lines immediately adjacent shaded areas represent the bounds of the claimed design, while all other broken lines are directed to environment or portions of the lighting filament that form no part of the claim design. None of the broken lines form any part of the claimed design.

1 Claim, 4 Drawing Sheets



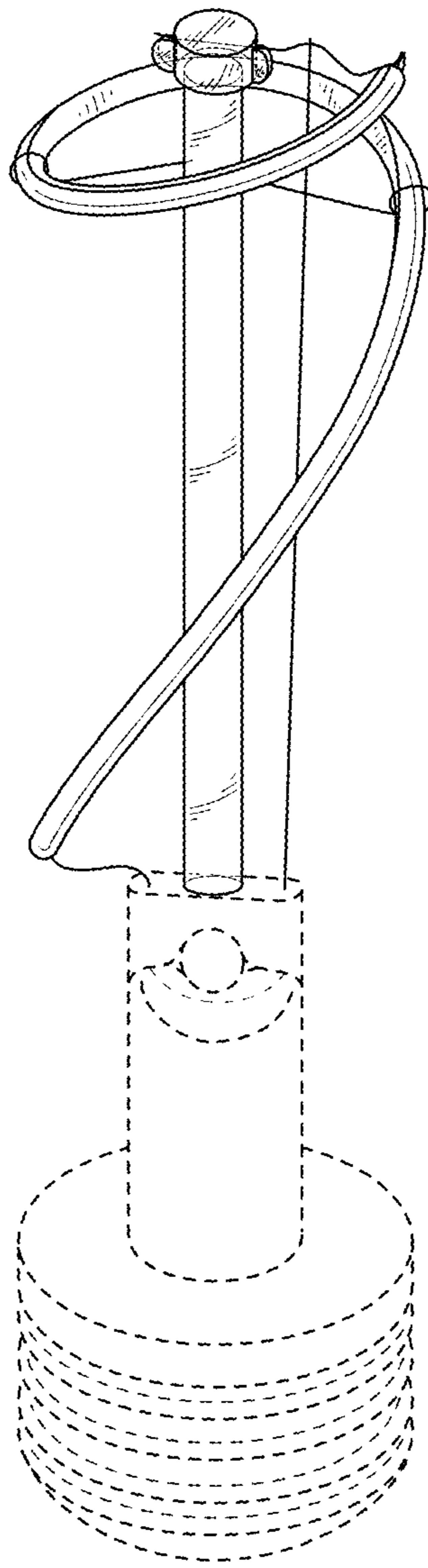


FIG. 1

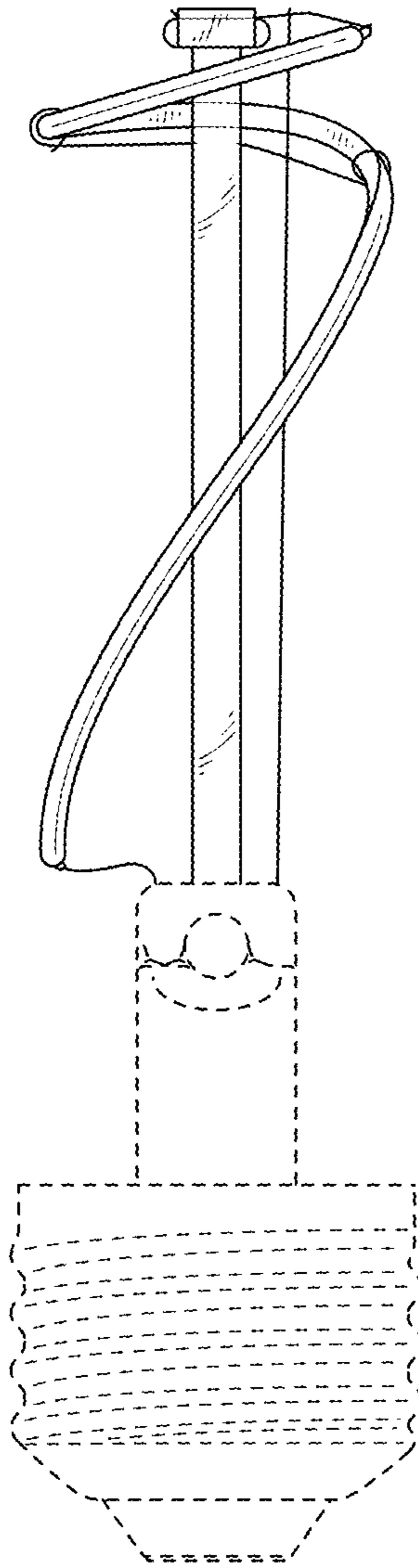


FIG. 2

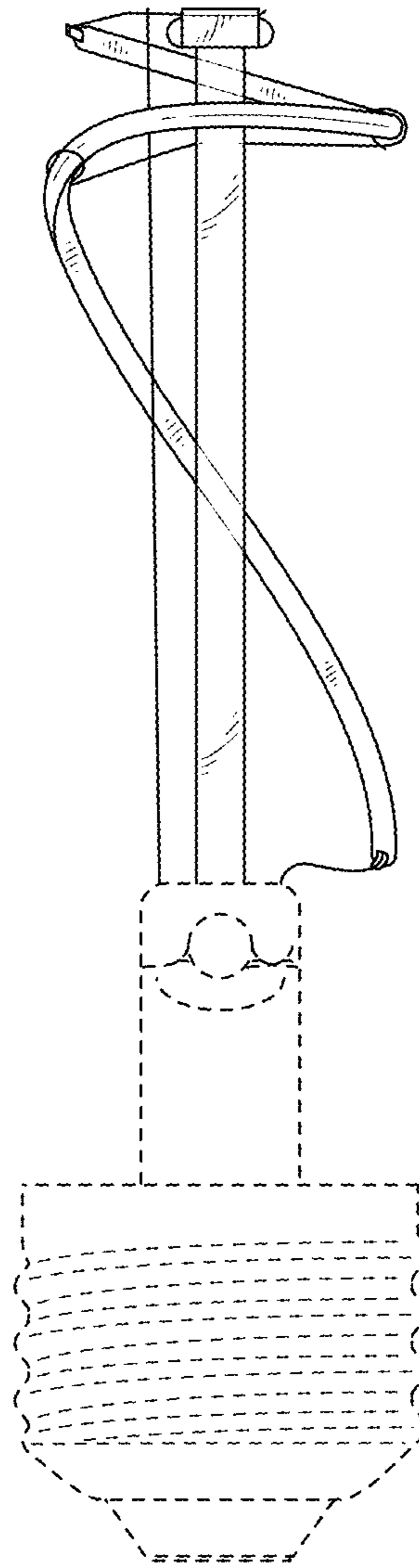


FIG. 3

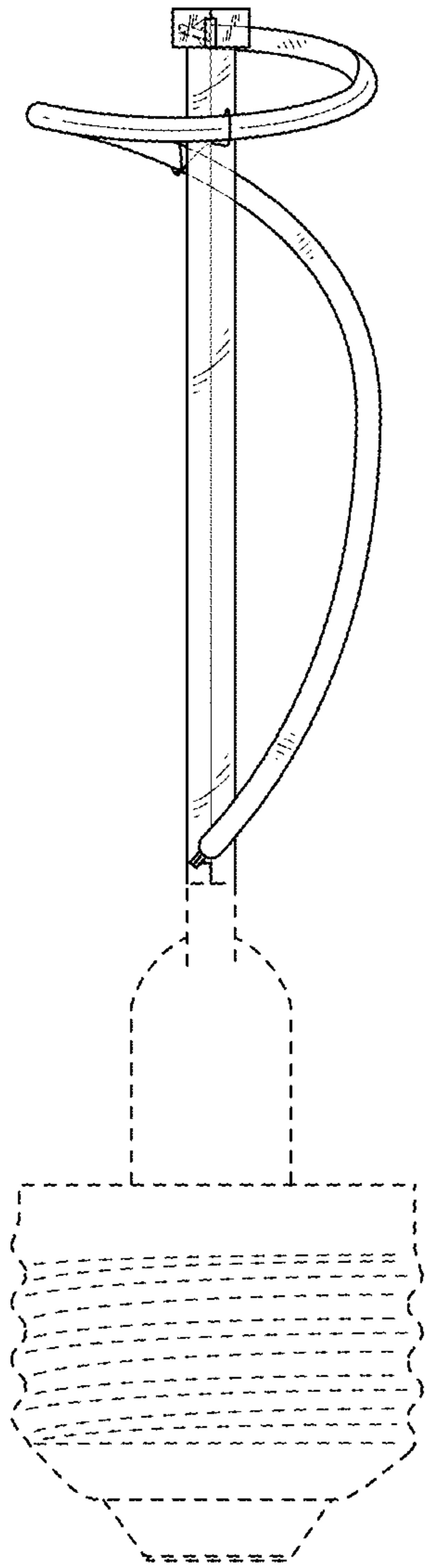


FIG. 4

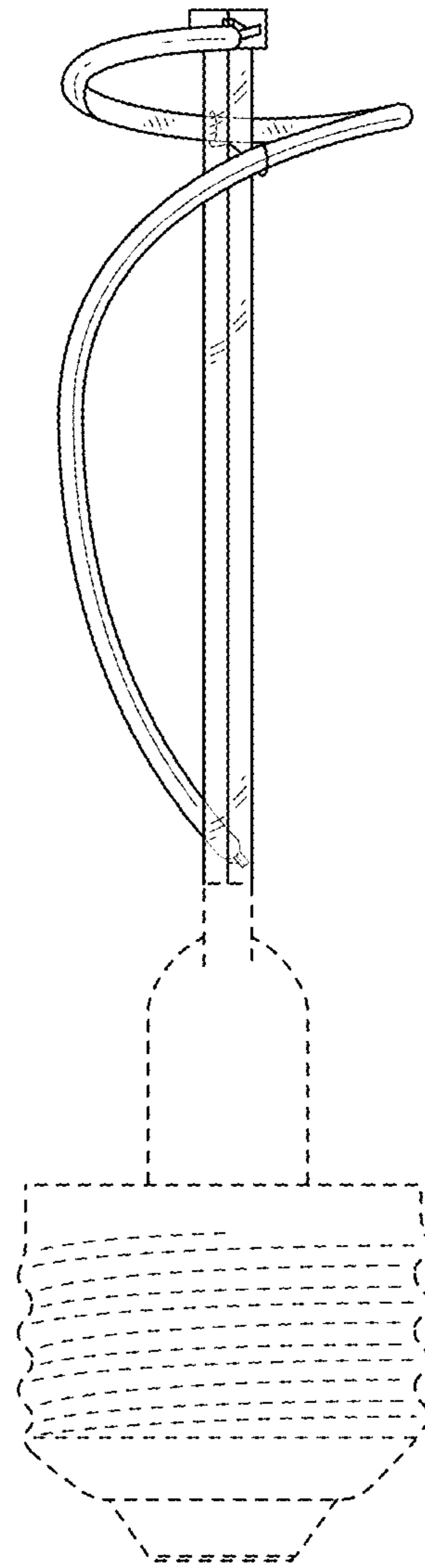


FIG. 5

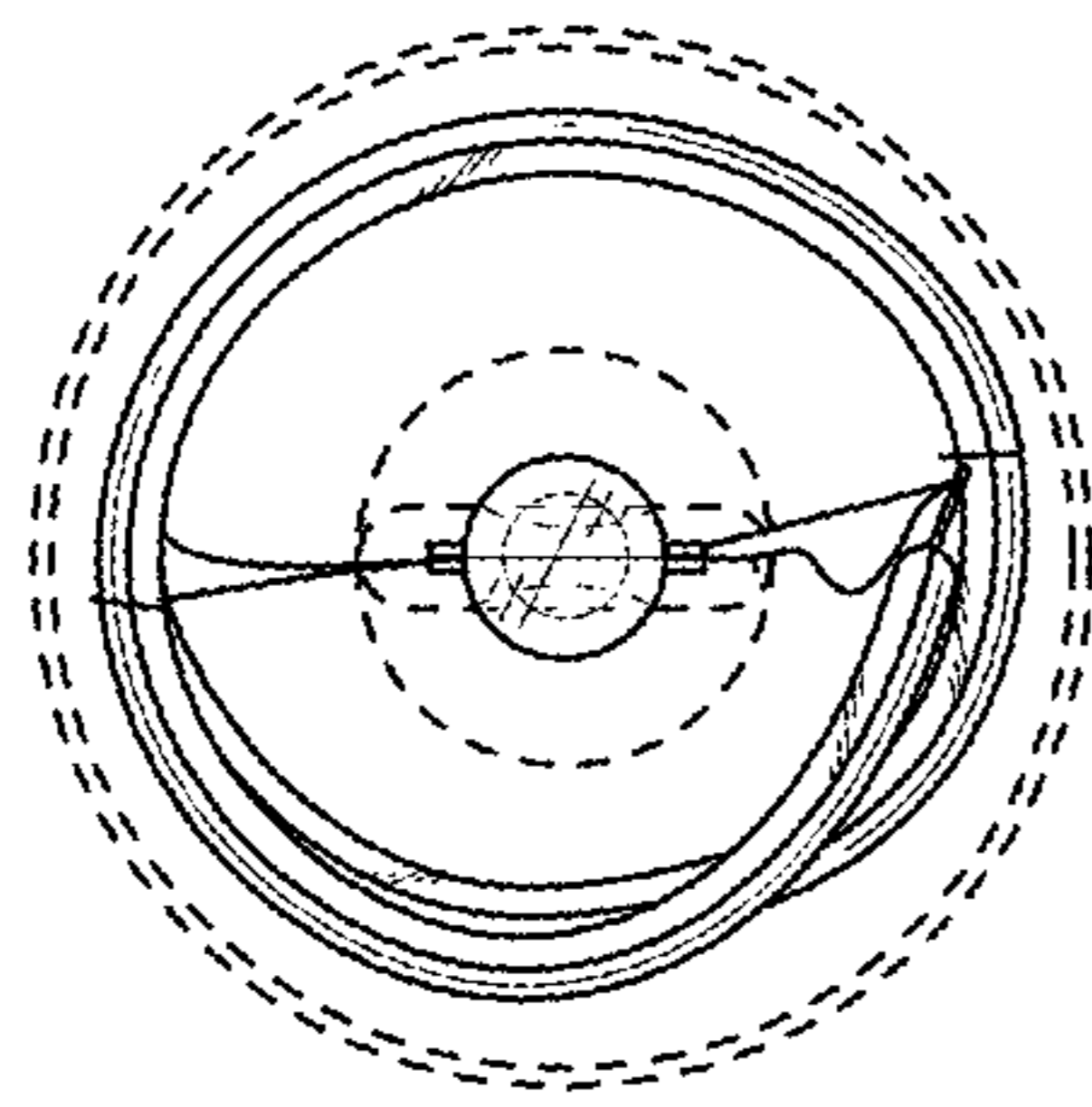


FIG. 6

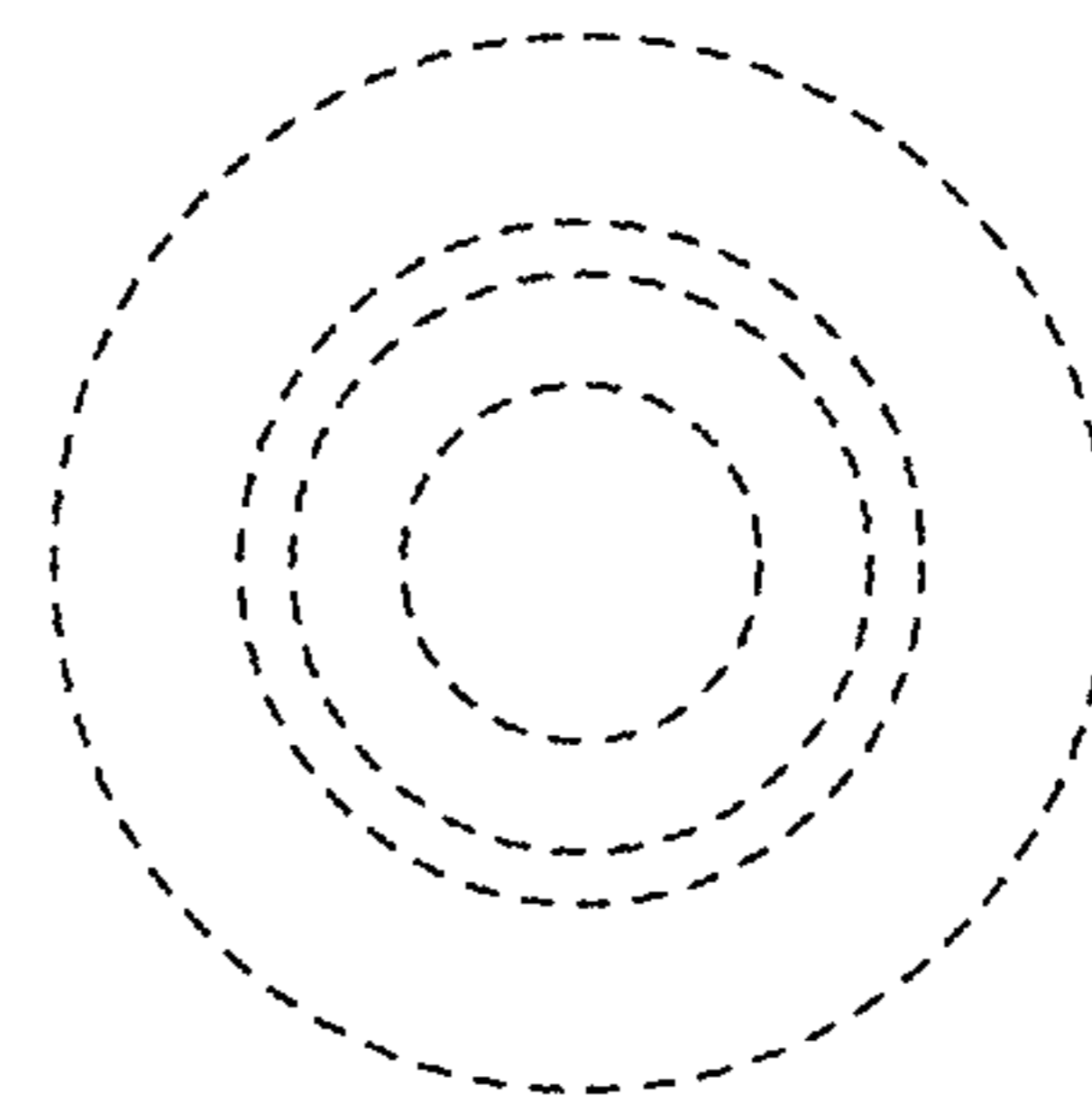


FIG. 7