



US00D884219S

(12) **United States Design Patent** (10) **Patent No.:** **US D884,219 S**
Santjer (45) **Date of Patent:** **** May 12, 2020**

- (54) **CONCRETE FORM CLIP**
- (71) Applicant: **Allways Concrete, LLC**, Woodinville, WA (US)
- (72) Inventor: **Bobby D. Santjer**, Woodinville, WA (US)
- (73) Assignee: **Allways Concrete, LLC**, Woodinville, WA (US)
- (**) Term: **15 Years**
- (21) Appl. No.: **29/687,881**
- (22) Filed: **Apr. 16, 2019**

Related U.S. Application Data

- (60) Continuation of application No. 29/646,465, filed on May 4, 2018, now Pat. No. Des. 849,967, which is a (Continued)
- (51) **LOC (12) Cl.** **25-01**
- (52) **U.S. Cl.**
USPC **D25/133**
- (58) **Field of Classification Search**
USPC D25/126, 127, 128, 129, 130, 131, 132, D25/133, 134, 135; D8/330, 349, 354, D8/355, 356, 363, 367, 382, 383; 52/745.21, 322, 295, 699, 745.29, 745.19, 52/703, 127.2
CPC E04G 13/00; E04G 17/12; E04G 17/06; E04G 17/064; E04G 17/14; E04G 17/0646; E04G 17/001; E04G 17/02; E04G 17/04; E04G 17/0758; E04G 21/185; E04G 11/06; E04G 17/004; E04G 17/0754; E04G 21/14; E04G 9/05; E04C 2003/026; E04C 2/521; E04C 3/02; E04C 5/168; E04C 5/18; E04B 2/8652; E04B 1/2608; E04B 2001/405; E04B 2002/867; E04B 2/86; E04B 1/355; E04B 2001/2616; E04B 2001/2684; E04B (Continued)

- (56) **References Cited**
U.S. PATENT DOCUMENTS
1,725,827 A * 8/1929 Pontiere E04G 17/12 249/36
2,074,394 A 3/1937 Hoffer
(Continued)

OTHER PUBLICATIONS

Advance Concrete Form, <https://web.archive.org/web/20150524111040/http://www.advanceconcreteform.com/product_details.php?id=605&cid=38>, as early as May 24, 2015 (Year 2015).

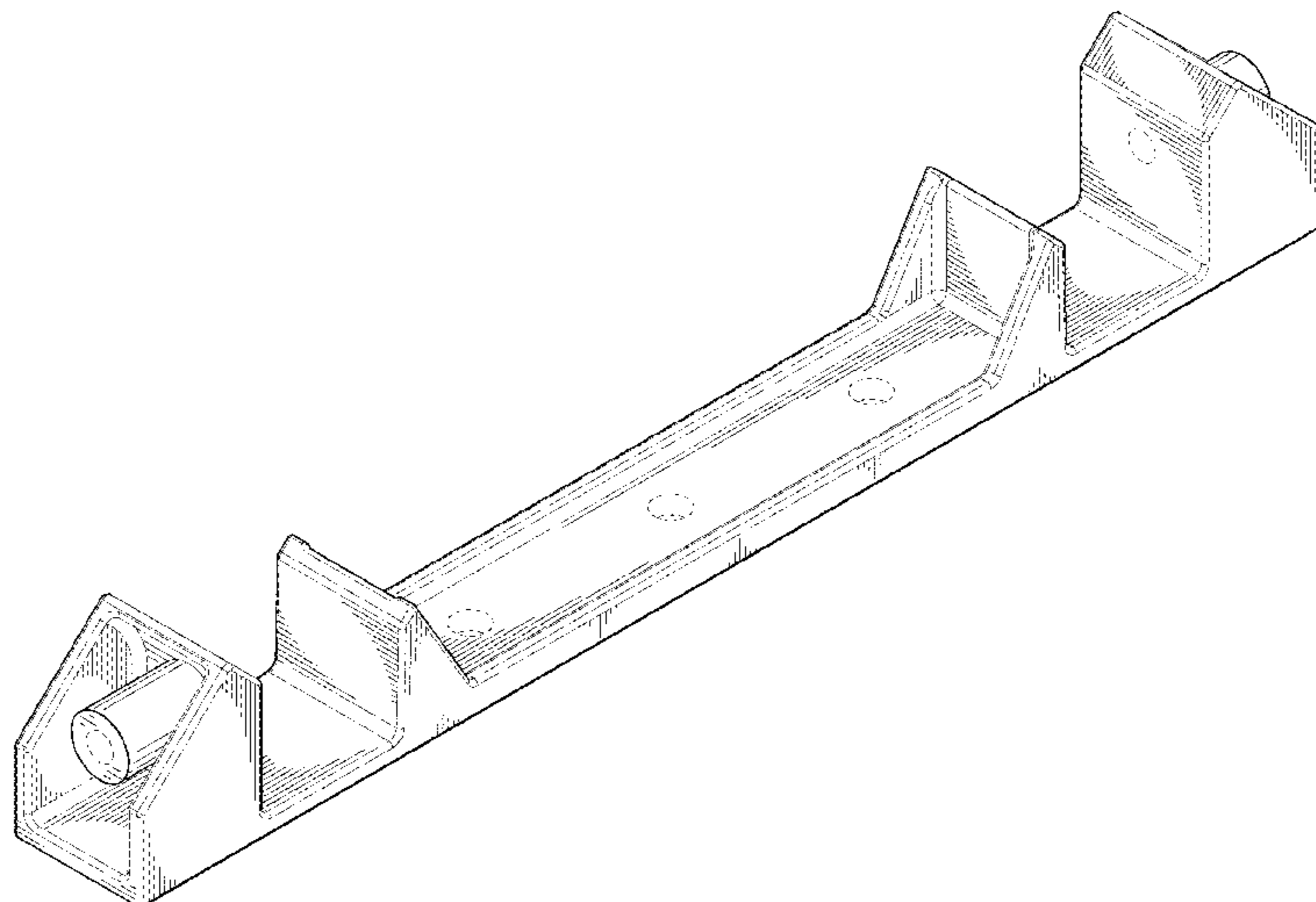
Primary Examiner — Samantha Q Lawrence
(74) *Attorney, Agent, or Firm* — Christensen O'Connor Johnson Kindness PLLC

- (57) **CLAIM**
The ornamental design for a concrete form clip, as shown and described.

DESCRIPTION

FIG. 1 is a top front right perspective view of a concrete form clip in accordance with my new design;
 FIG. 2 is a top plan view thereof;
 FIG. 3 is a front elevation view thereof;
 FIG. 4 is a right side elevation view thereof, the left side elevation view being a mirror image to the right side elevation view;
 FIG. 5 is a top front right perspective view of another embodiment of a concrete form clip in accordance with my new design;
 FIG. 6 is a top plan view thereof;
 FIG. 7 is a front elevation view thereof; and,
 FIG. 8 is a right side elevation view thereof, the left side elevation view being a mirror image to the right side elevation view.
 The broken lines show portions of the concrete form clip that form no part of the claimed design.

1 Claim, 4 Drawing Sheets



Related U.S. Application Data

division of application No. 29/599,326, filed on Mar. 31, 2017, now Pat. No. Des. 819,232, which is a continuation of application No. 14/508,952, filed on Oct. 7, 2014, now abandoned.

(58) **Field of Classification Search**

CPC 2200/1678; E02D 2300/002; E02D 2200/1678; F16M 13/02; Y10T 16/554; Y10T 124/44923

See application file for complete search history.

(56)

References Cited

U.S. PATENT DOCUMENTS

2,205,662	A	6/1940	La Grotta
2,378,850	A	6/1945	Hyre
2,973,567	A	3/1961	Brow, Jr.
3,568,383	A	3/1971	Judkins et al.
3,722,849	A	3/1973	Luyben
3,778,020	A	12/1973	Burrows
4,016,701	A	4/1977	Beynon
5,234,654	A	8/1993	Brooks
5,836,132	A	11/1998	Weathersby
D442,063	S	5/2001	Snyder
6,224,031	B1	5/2001	Boeshart
D445,668	S	7/2001	Hills, Sr.
D487,693	S	3/2004	Moen
7,124,550	B1	10/2006	Deming

7,475,862	B1	1/2009	Anspach	
D615,217	S	5/2010	Steinkraus	
D639,587	S	6/2011	Selinger et al.	
D659,072	S	5/2012	Matijevich	
8,205,411	B2 *	6/2012	Mellettt	E04G 17/064 249/189
8,231,100	B2	7/2012	Boese et al.	
8,261,503	B2	9/2012	Meyer	
8,348,226	B2 *	1/2013	Hanson	E04G 17/064 249/219.1
D795,677	S	8/2017	Kelley	
9,903,118	B2 *	2/2018	Ventling	E04G 21/14
D819,232	S	5/2018	Santjer	
10,125,468	B2 *	11/2018	Henriquez	E04B 2/86
2004/0041074	A1 *	3/2004	Takagi	B28B 7/0014 249/205
2004/0118070	A1 *	6/2004	Takagi	B28B 7/0014 52/600
2005/0183383	A1 *	8/2005	Jones	E04B 7/022 52/745.1
2008/0315065	A1 *	12/2008	Hanson	E04G 13/00 249/48
2010/0064615	A1 *	3/2010	Boese	E04G 13/00 52/426
2010/0252714	A1 *	10/2010	Hendricks	E04G 11/062 249/188
2015/0082737	A1	3/2015	Brady	
2015/0102204	A1	4/2015	Santjer	
2018/0002936	A1 *	1/2018	Murphy	E04G 13/00
2018/0347213	A1 *	12/2018	Clevenger	E04B 2/8647

* cited by examiner

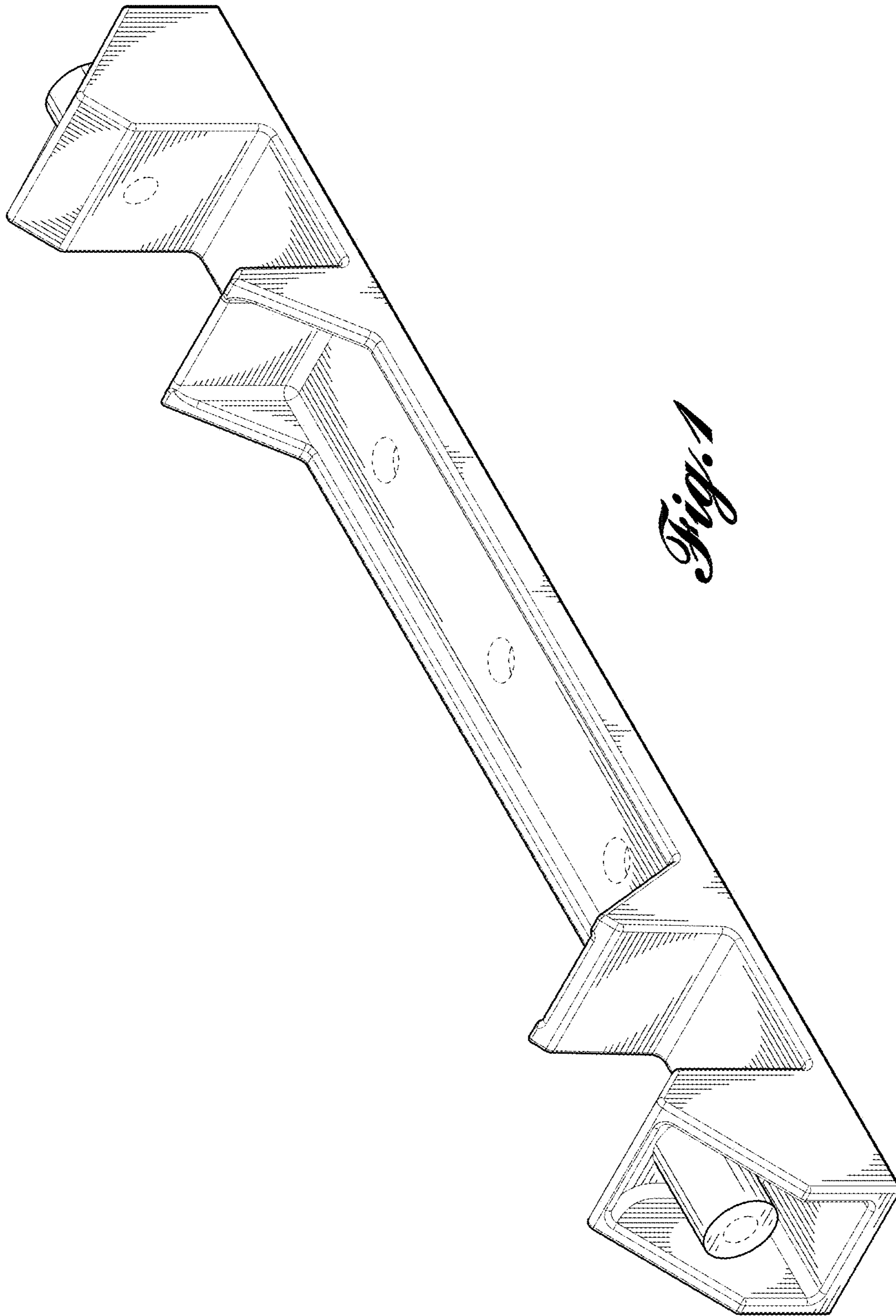


Fig. 1

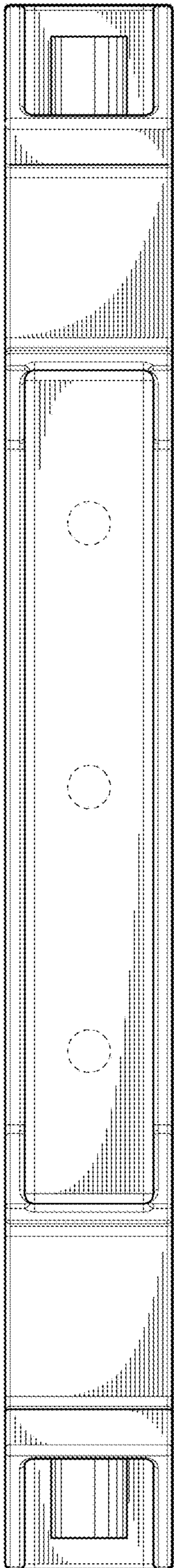


Fig. 2

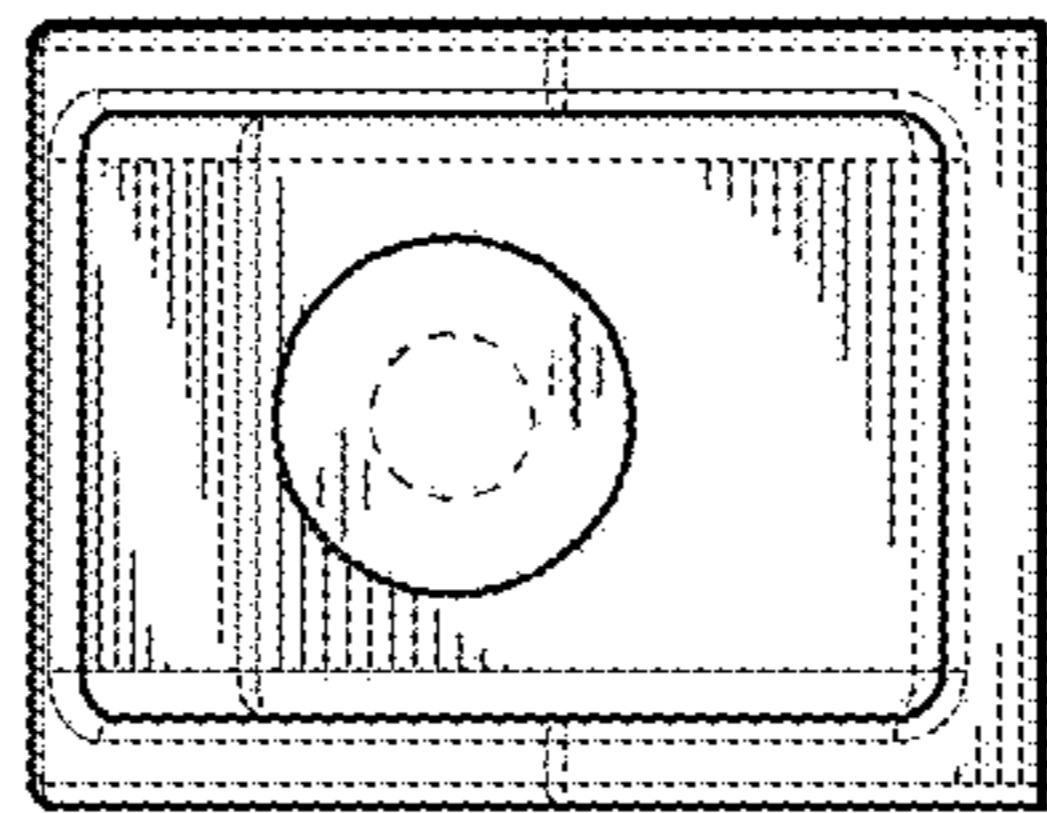


Fig. 3

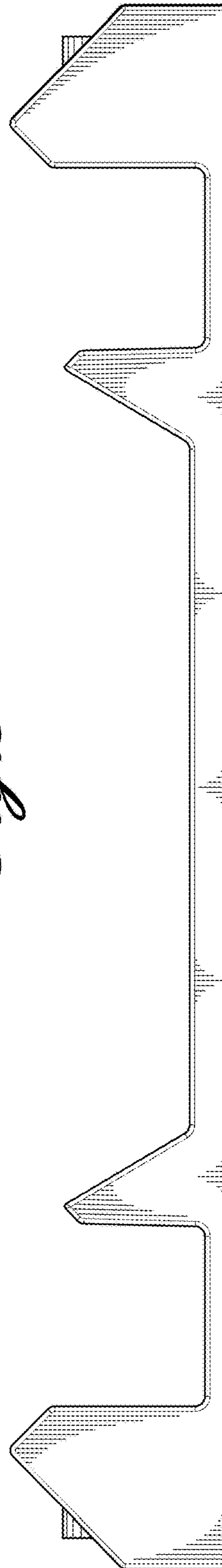


Fig. 4

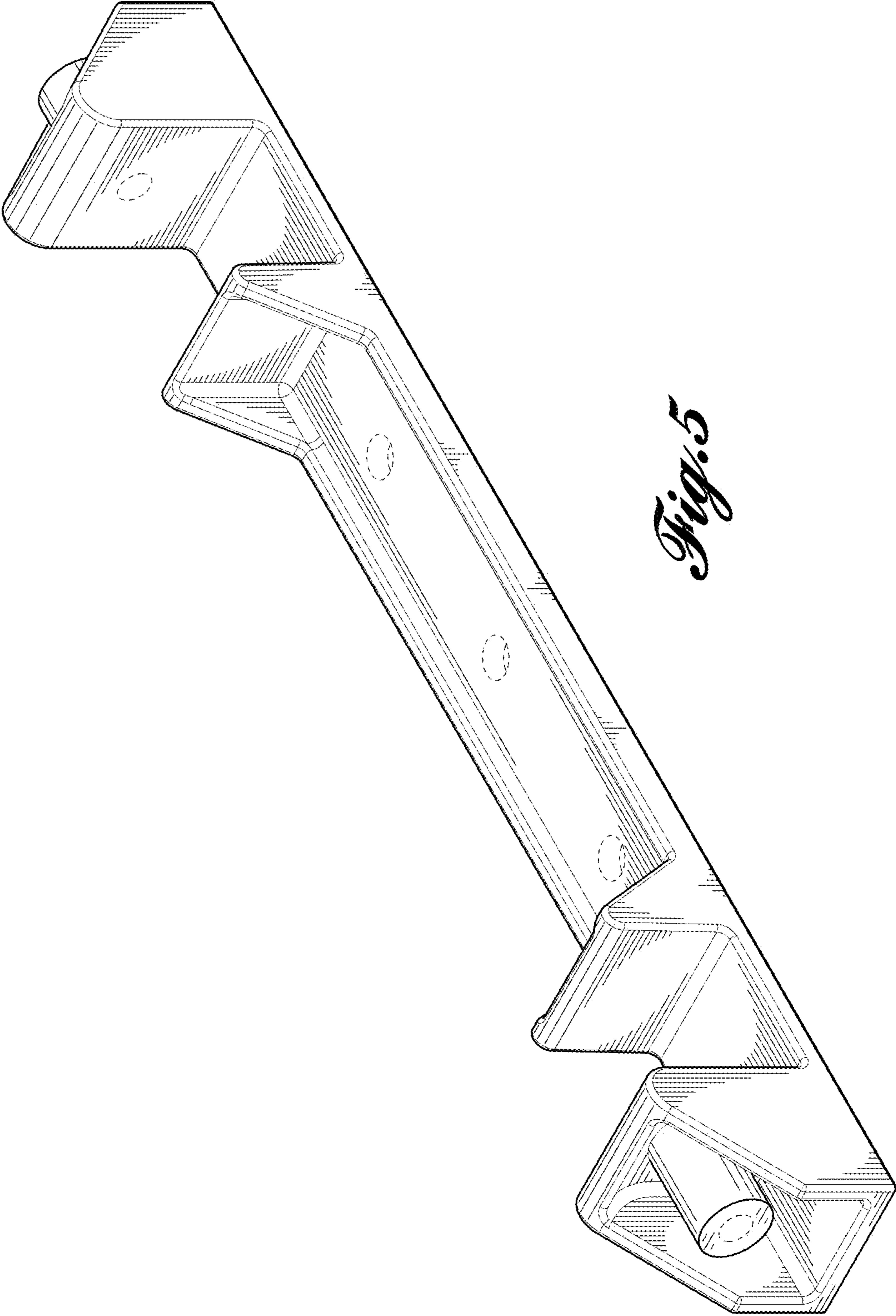


Fig. 5

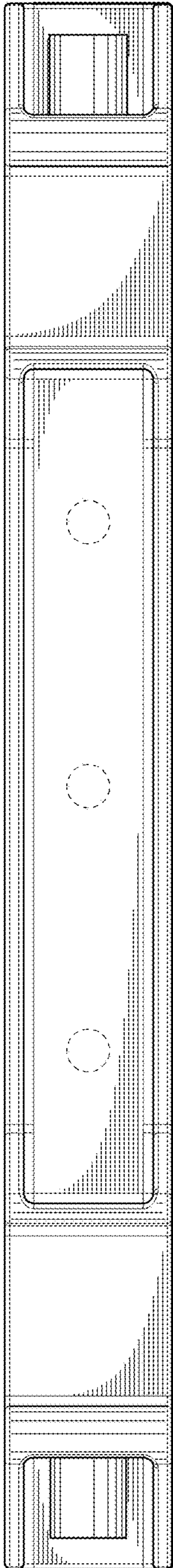


Fig. 6

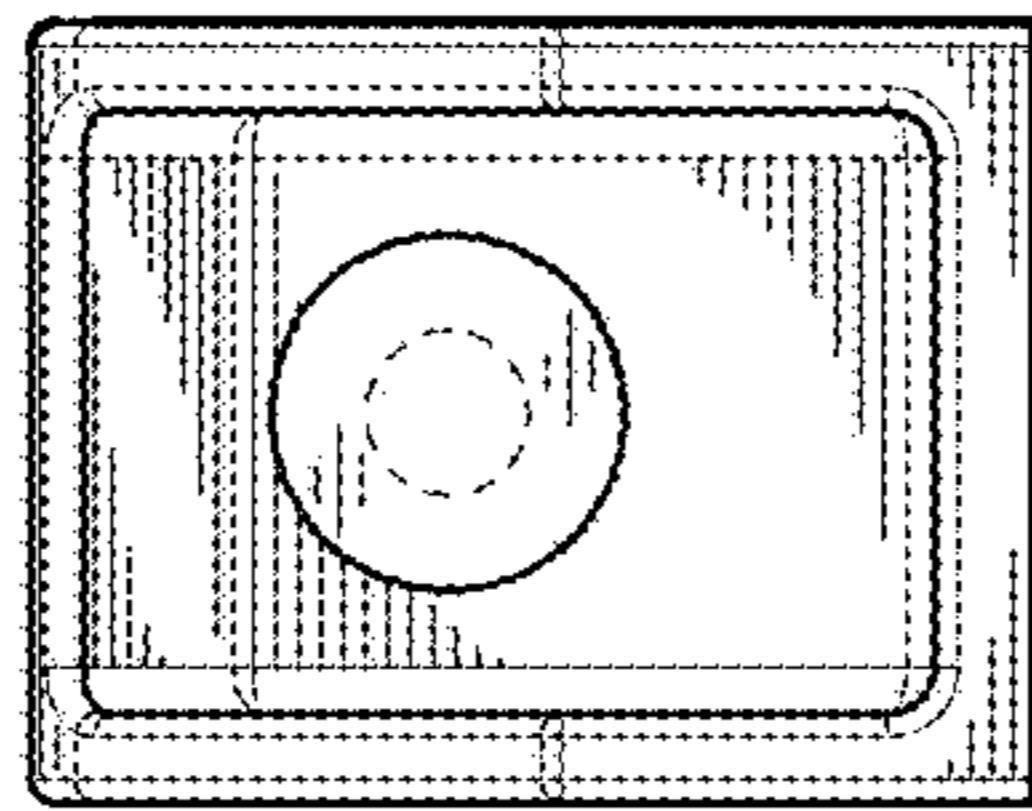


Fig. 7

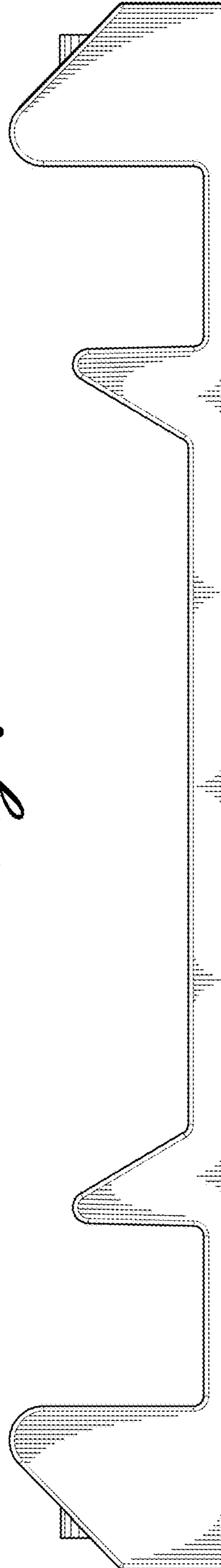


Fig. 8