



US00D884218S

(12) **United States Design Patent** (10) **Patent No.:** **US D884,218 S**  
**Corby et al.** (45) **Date of Patent:** **\*\* May 12, 2020**

(54) **CARPORT**

E04H 1/1227; E04H 1/1272; E04H 6/04;  
E04B 1/3416; E04D 13/0481; E04F 10/08

(71) Applicant: **RE-POWER INTERNATIONAL LIMITED**, London (GB)

See application file for complete search history.

(72) Inventors: **John Corby**, London (GB); **Paul Anthony Jarvis**, London (GB); **Vadim Opeskine**, London (GB); **Mark G Deverell**, London (GB); **Andrew Rowley McLelland**, London (GB)

(56) **References Cited**

U.S. PATENT DOCUMENTS

2,128,539	A *	8/1938	Roach	.....	E04B 1/3416
					52/16
D178,471	S *	8/1956	Volk	.....	D25/56
D192,212	S *	2/1962	Schlager	.....	D25/34
D192,464	S *	3/1962	Selby	.....	D25/27
D196,637	S *	10/1963	Christ-Janer	.....	D25/1
D200,393	S *	2/1965	Carr	.....	D6/718.21

(Continued)

(73) Assignee: **RE-POWER INTERNATIONAL LIMITED**, London (GB)

(\*\*) Term: **15 Years**

*Primary Examiner* — Samantha Q Lawrence

(21) Appl. No.: **35/505,608**

(74) *Attorney, Agent, or Firm* — Renner, Otto, Boisselle & Sklar, LLP

(22) Filed: **Mar. 7, 2018**

(80) **Hague Agreement Data**

Int. Filing Date: **Mar. 7, 2018**  
Int. Reg. No.: **DM/100256**  
Int. Reg. Date: **Mar. 7, 2018**  
Int. Reg. Pub. Date: **Sep. 7, 2018**

(57) **CLAIM**

The ornamental design for a carport, as shown and described.

(30) **Foreign Application Priority Data**

Sep. 7, 2017 (GB) ..... 6018222  
Sep. 7, 2017 (GB) ..... 6018223  
Sep. 7, 2017 (GB) ..... 6018224

**DESCRIPTION**

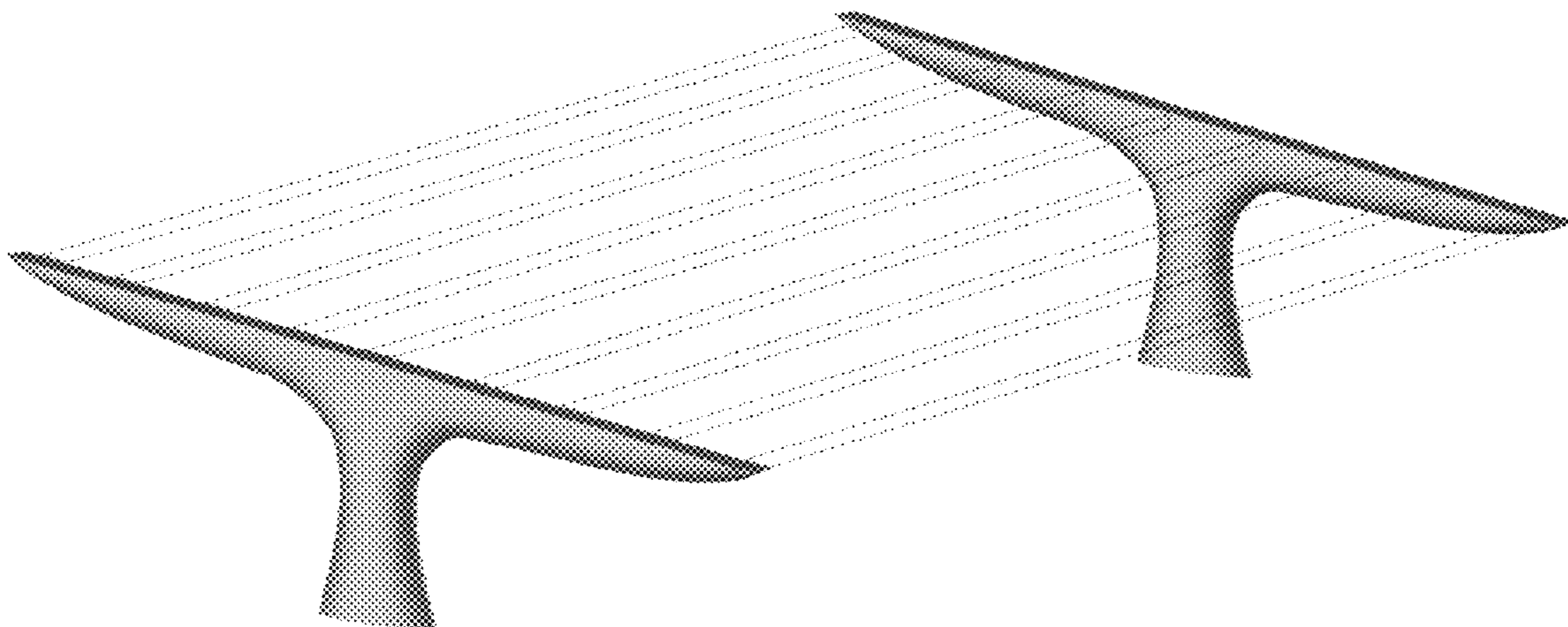
1. and 4. Carport  
Figure 1.1 is a perspective view of a first embodiment of a carport;  
Figure 1.2 is a perspective view thereof;  
Figure 1.3 is a front view thereof;  
Figure 1.4 is a back view thereof;  
Figure 1.5 is a right view thereof;  
Figure 1.6 is a left view thereof;  
Figure 4.1 is a perspective view of a second embodiment of a carport;  
Figure 4.2 is a perspective view thereof;  
Figure 4.3 is a front view thereof;  
Figure 4.4 is a back view thereof;  
Figure 4.5 is a right view thereof; and  
Figure 4.6 is a left view thereof.

(Continued)

(51) **LOC (12) Cl.** ..... **25-02**

(52) **U.S. Cl.**  
USPC ..... **D25/61**

(58) **Field of Classification Search**  
USPC ..... D25/1, 16, 18, 22, 34, 56, 57, 61, 2, 3,  
D25/14, 15, 17, 19, 31, 32, 33; 52/63,  
52/66, 73, 74, 75, 78, 89; D13/101, 102,  
D13/107, 184, 199  
CPC ..... E04H 6/025; E04H 1/1205; E04H 1/1211;  
E04H 1/1233; E04H 1/00; E04H 1/02;  
E04H 1/04; E04H 1/06; E04H 1/12;



The broken lines shown in Figures 1.1-1.4 and Figures 4.1-4.4 illustrate portions of the carport that form no part of the claimed design.

**1 Claim, 12 Drawing Sheets**

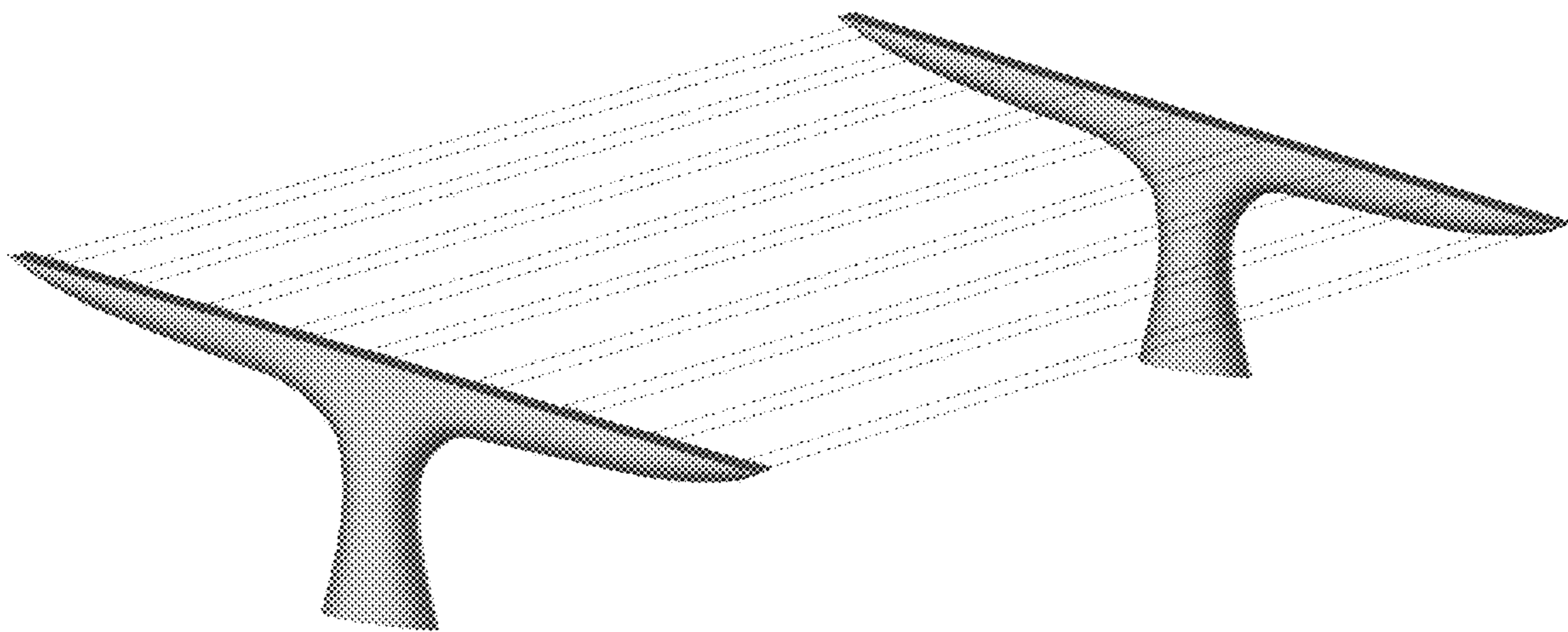
(56) **References Cited**

U.S. PATENT DOCUMENTS

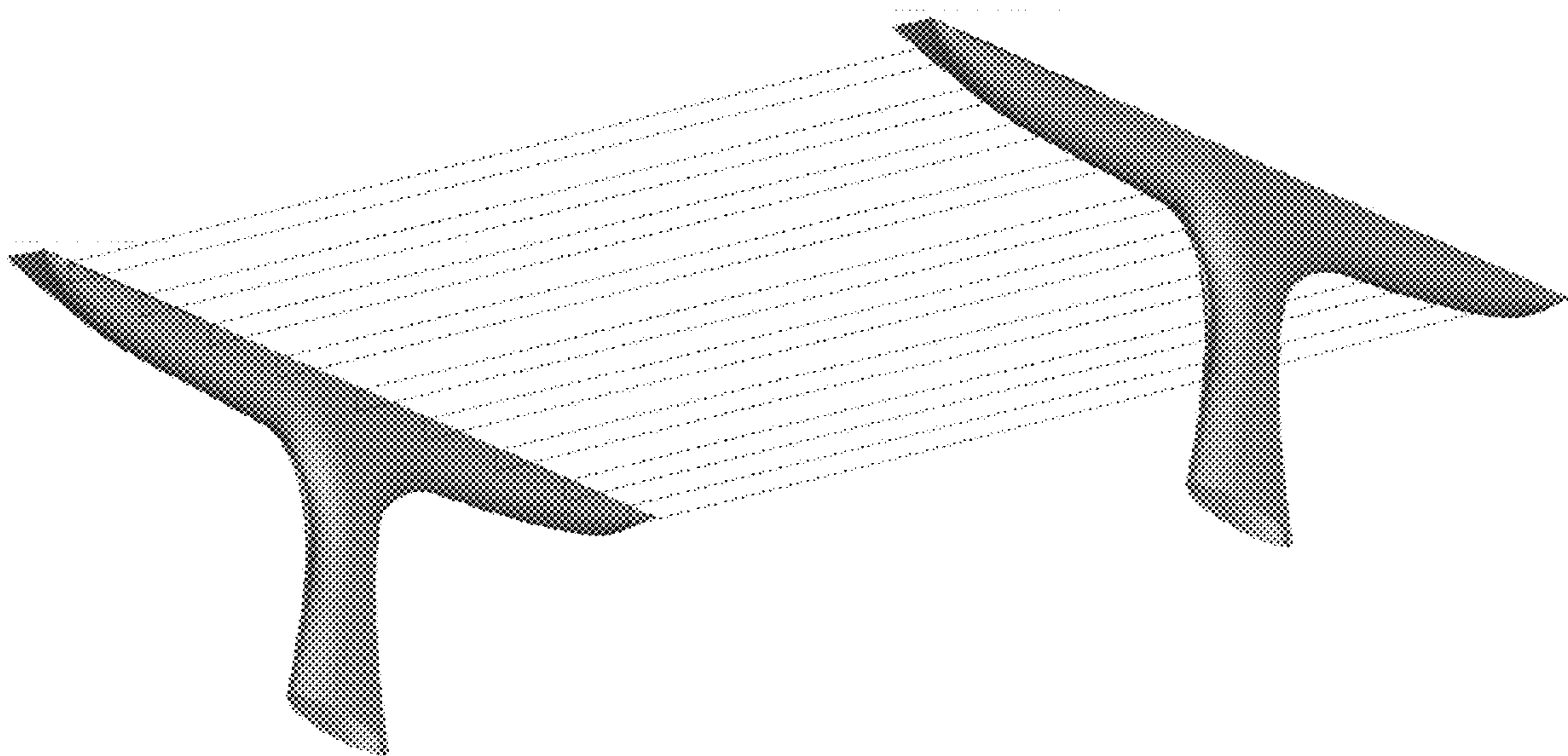
3,226,891	A *	1/1966	Heirich .....	E04F 10/08 52/263
3,242,620	A *	3/1966	Kaiser .....	E04H 6/025 52/169.1
D225,051	S *	11/1972	Smithhart .....	D25/56
D335,541	S *	5/1993	Rosario-Cartagena .....	D25/56
D595,865	S *	7/2009	Magnusson .....	D25/56
D611,405	S *	3/2010	Mackler .....	D13/102
D643,937	S *	8/2011	Boesch .....	D25/56
D647,216	S *	10/2011	Richardson .....	D25/56
D675,340	S *	1/2013	Evans .....	D25/18
D687,969	S *	8/2013	Randol .....	D25/18
8,640,394	B2 *	2/2014	Richardson .....	E04H 6/025 52/73

\* cited by examiner

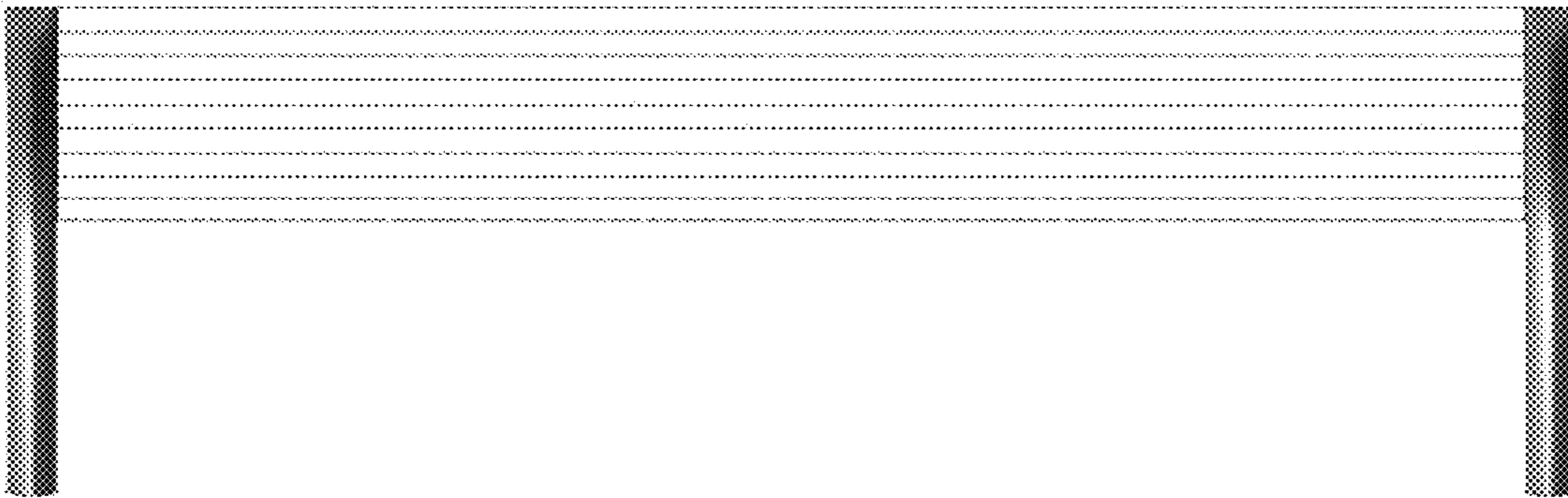
1.1



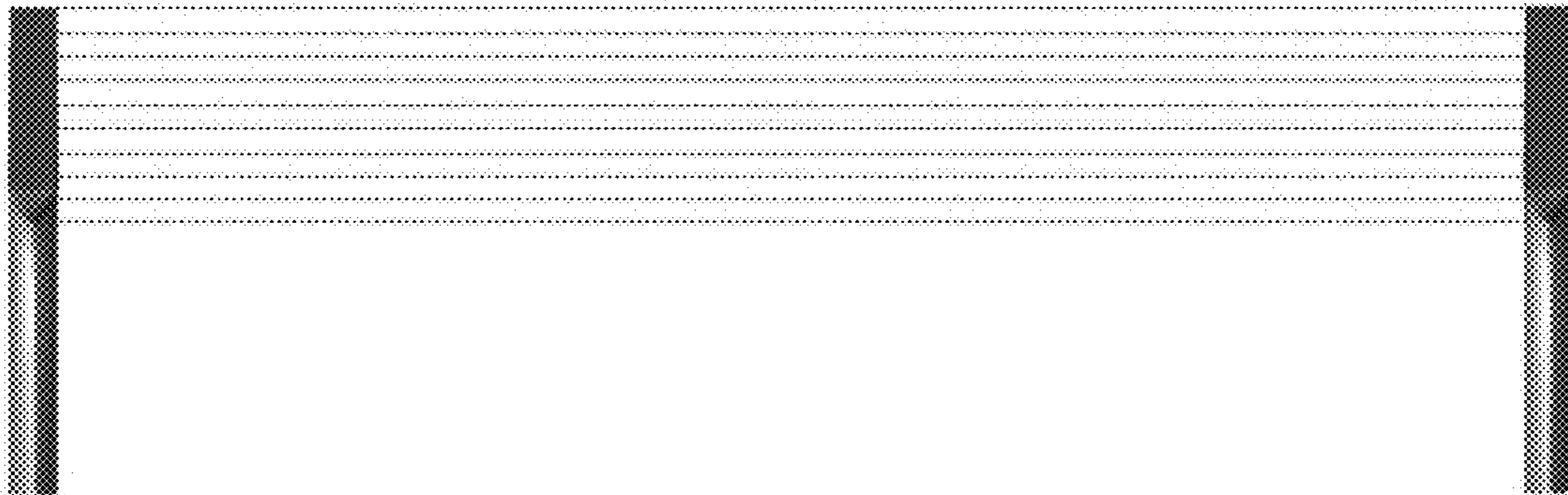
1.2



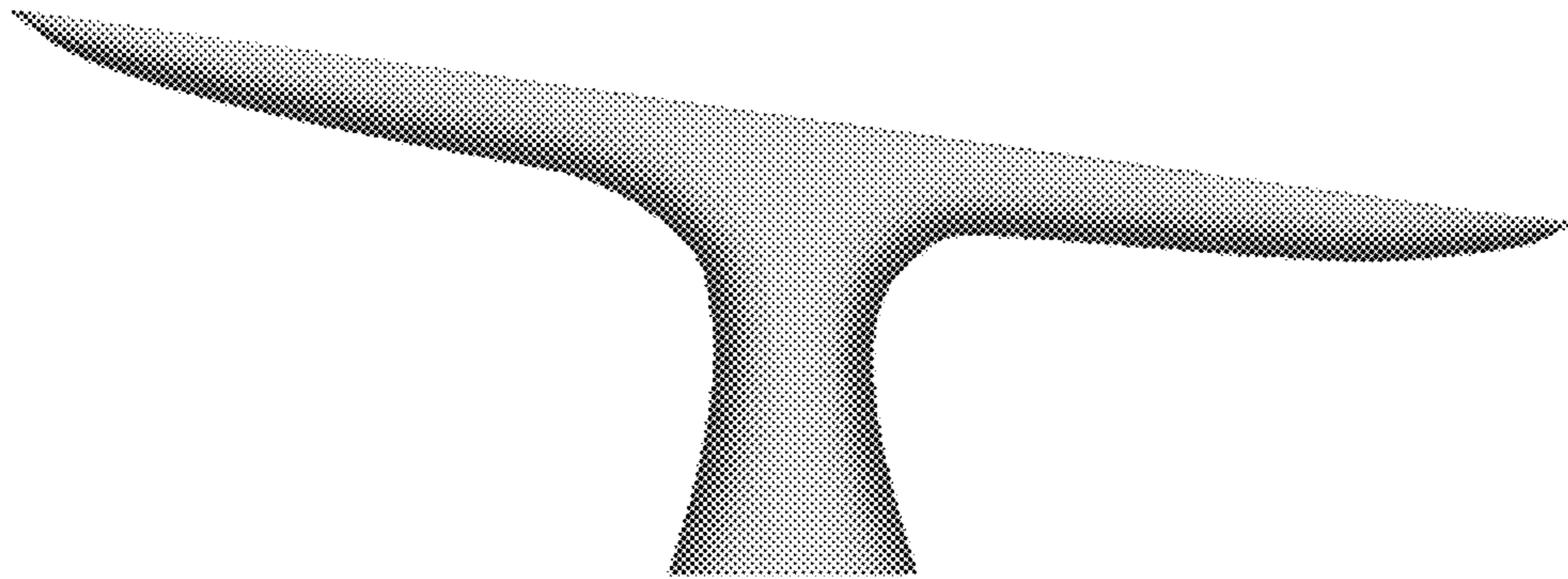
1.3



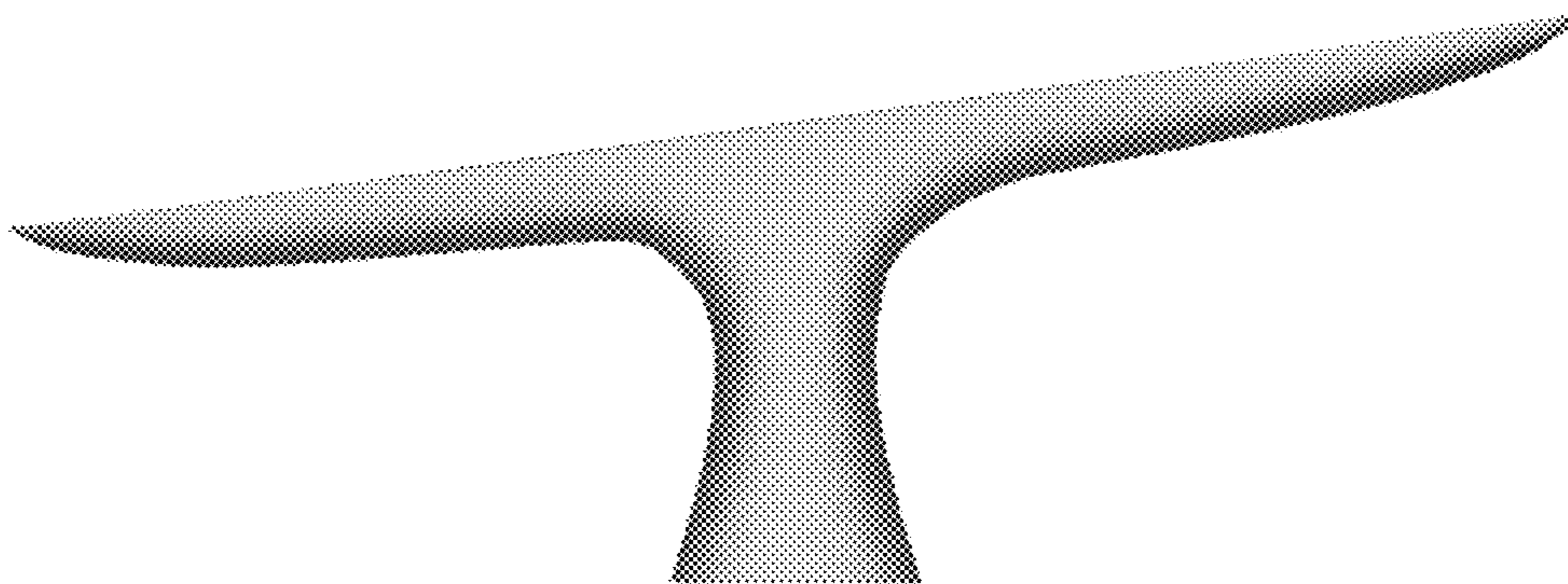
1.4



1.5

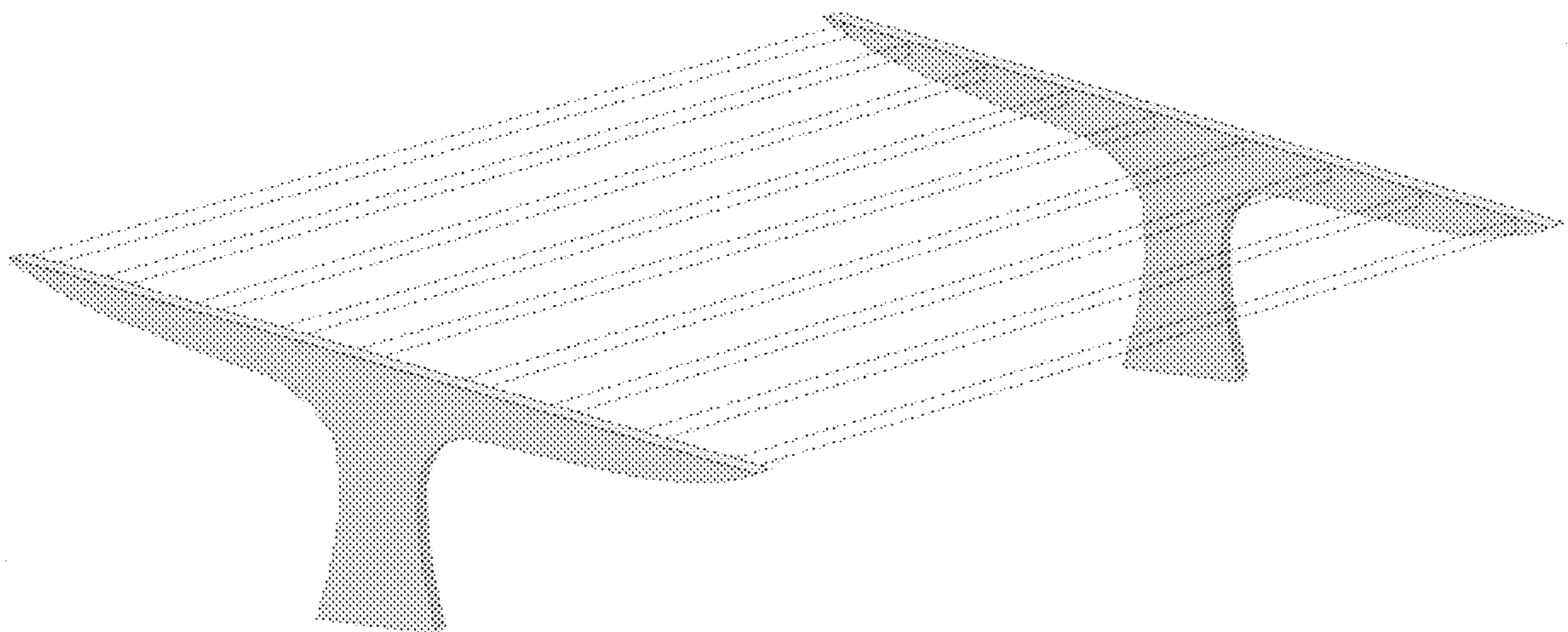


1.6

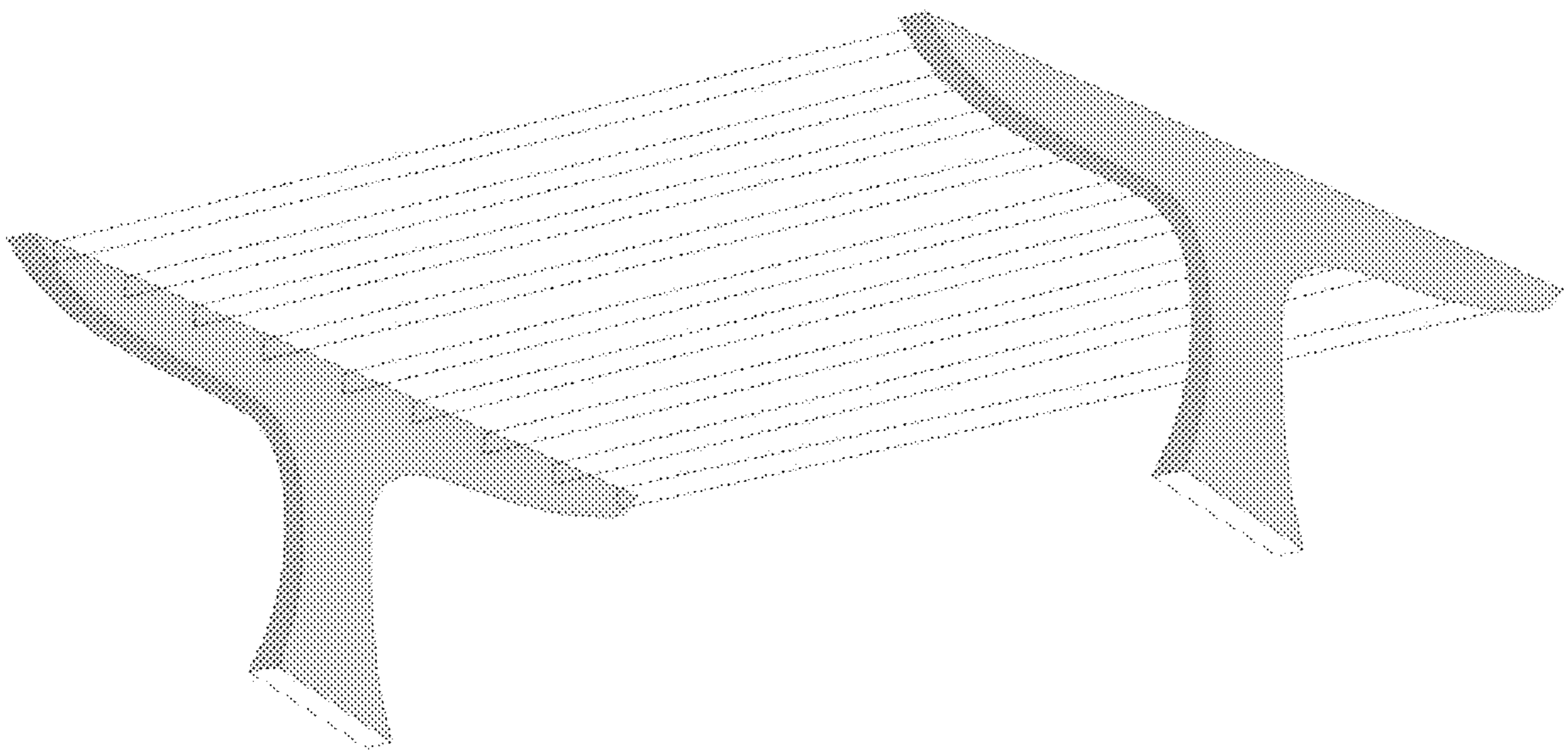




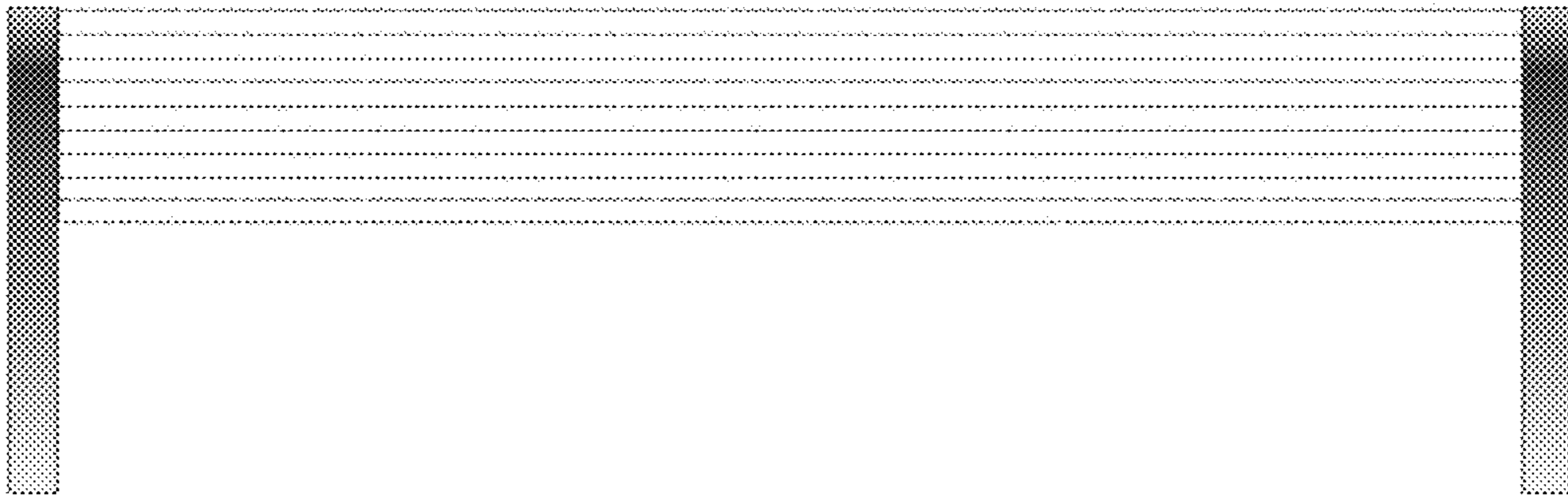
4.1



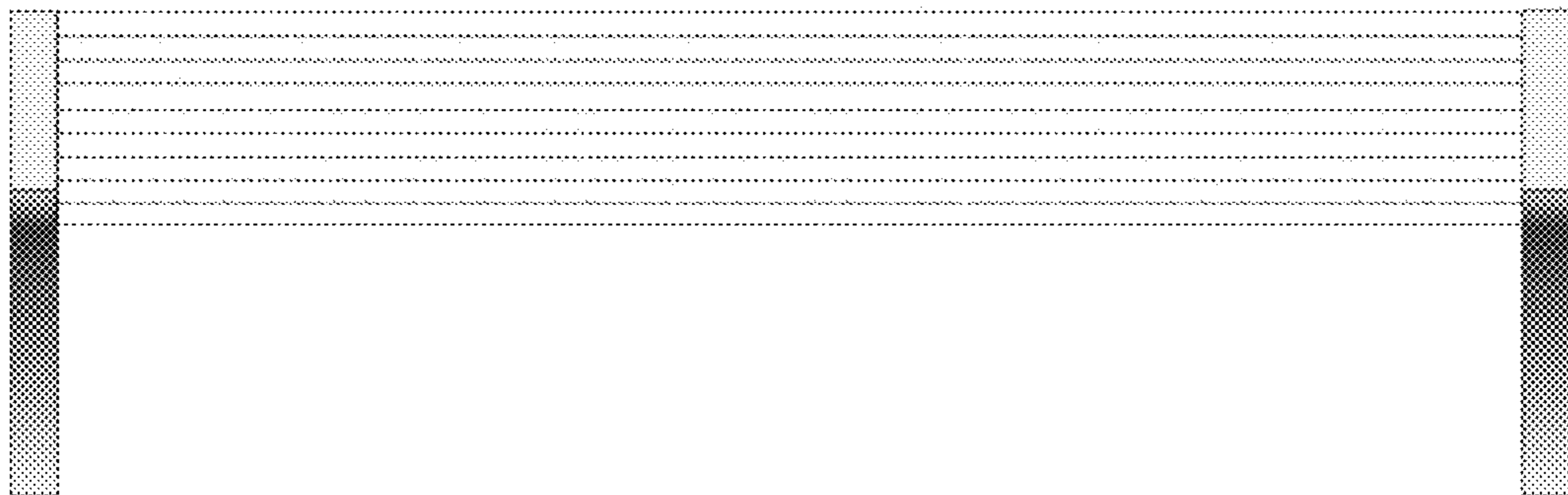
4.2



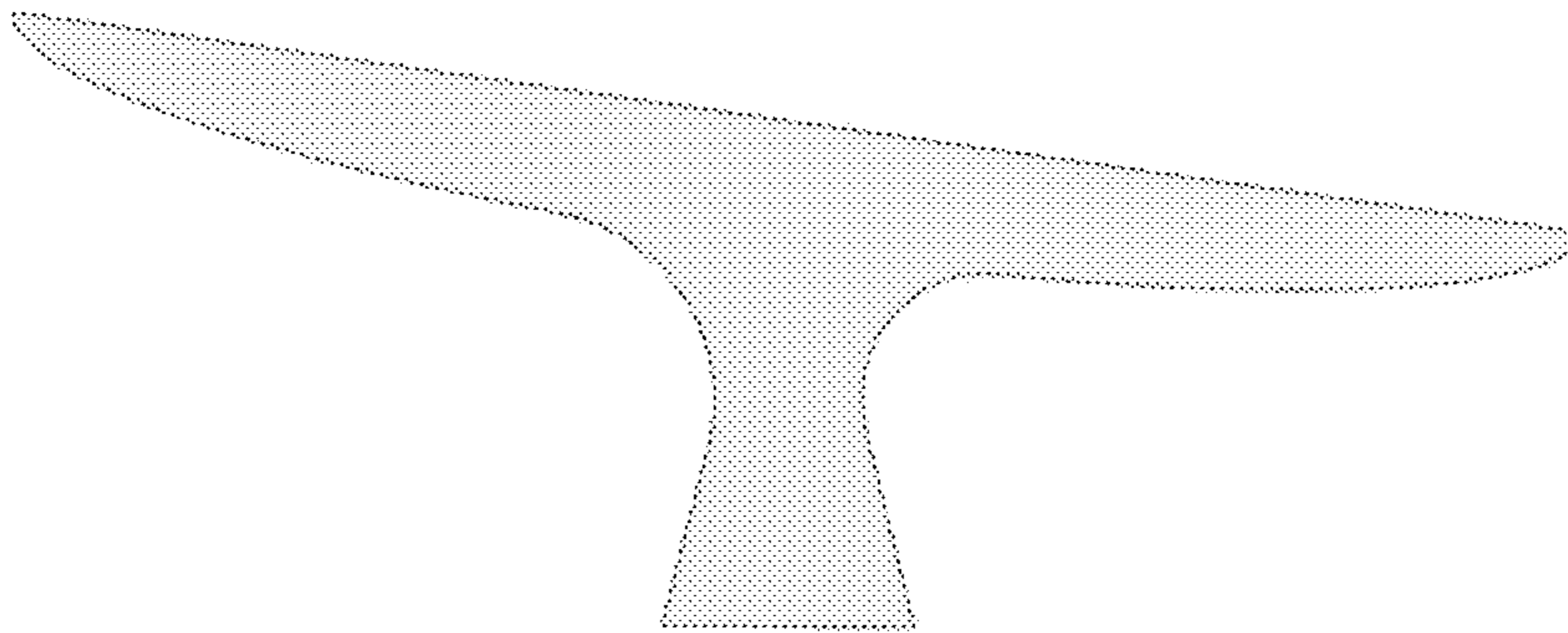
4.3



4.4



4.5



4.6

