



US00D884213S

(12) **United States Design Patent** (10) **Patent No.:** **US D884,213 S**
Hay, III et al. (45) **Date of Patent:** **** May 12, 2020**

(54) **LINEAL FOR HOLDING A PANEL OVER A WINDOW**

(71) Applicant: **HAWKES DESIGN AND CONSULTING, LLC**, Charleston, SC (US)

(72) Inventors: **Henry M. Hay, III**, Charleston, SC (US); **Bruce A. Weber**, Charleston, SC (US)

(73) Assignee: **Hawkes Design and Consulting, LLC**, Charleston, SC (US)

(**) Term: **15 Years**

(21) Appl. No.: **35/001,317**

(22) Filed: **Jan. 20, 2017**

(80) **Hague Agreement Data**

Int. Filing Date: **Jan. 20, 2017**

Int. Reg. No.: **DM/095397**

Int. Reg. Date: **Jan. 20, 2017**

Int. Reg. Pub. Date: **Apr. 7, 2017**

(51) **LOC (12) Cl.** **25-02**

(52) **U.S. Cl.**
USPC **D25/48.2**
CPC **E04B 9/00 (2013.01)**

(58) **Field of Classification Search**
USPC D25/47.1-48.8; 52/202, 204.62, 204.63, 52/204.67, 204.7; 49/57-62, 463, 502
CPC E06B 9/00
See application file for complete search history.

(56) **References Cited**

U.S. PATENT DOCUMENTS

D394,714 S *	5/1998	Plummer	D25/48.7
6,230,455 B1 *	5/2001	Arehart	E06B 9/02 160/379
D472,977 S *	4/2003	Griffiths	D25/48.1
D490,536 S *	5/2004	Cortesi	D25/48.3
D618,822 S *	6/2010	Card	D25/48.7
8,302,354 B2 *	11/2012	Quesada	E06B 1/003 52/204.1
8,857,129 B2 *	10/2014	Beranek	E06B 3/9682 52/204.5
8,863,452 B1 *	10/2014	Hay, III	E06B 5/10 49/463

* cited by examiner

Primary Examiner — Richard E Chilcot

(74) *Attorney, Agent, or Firm* — Nexsen Pruet, LLC; Michael A. Mann

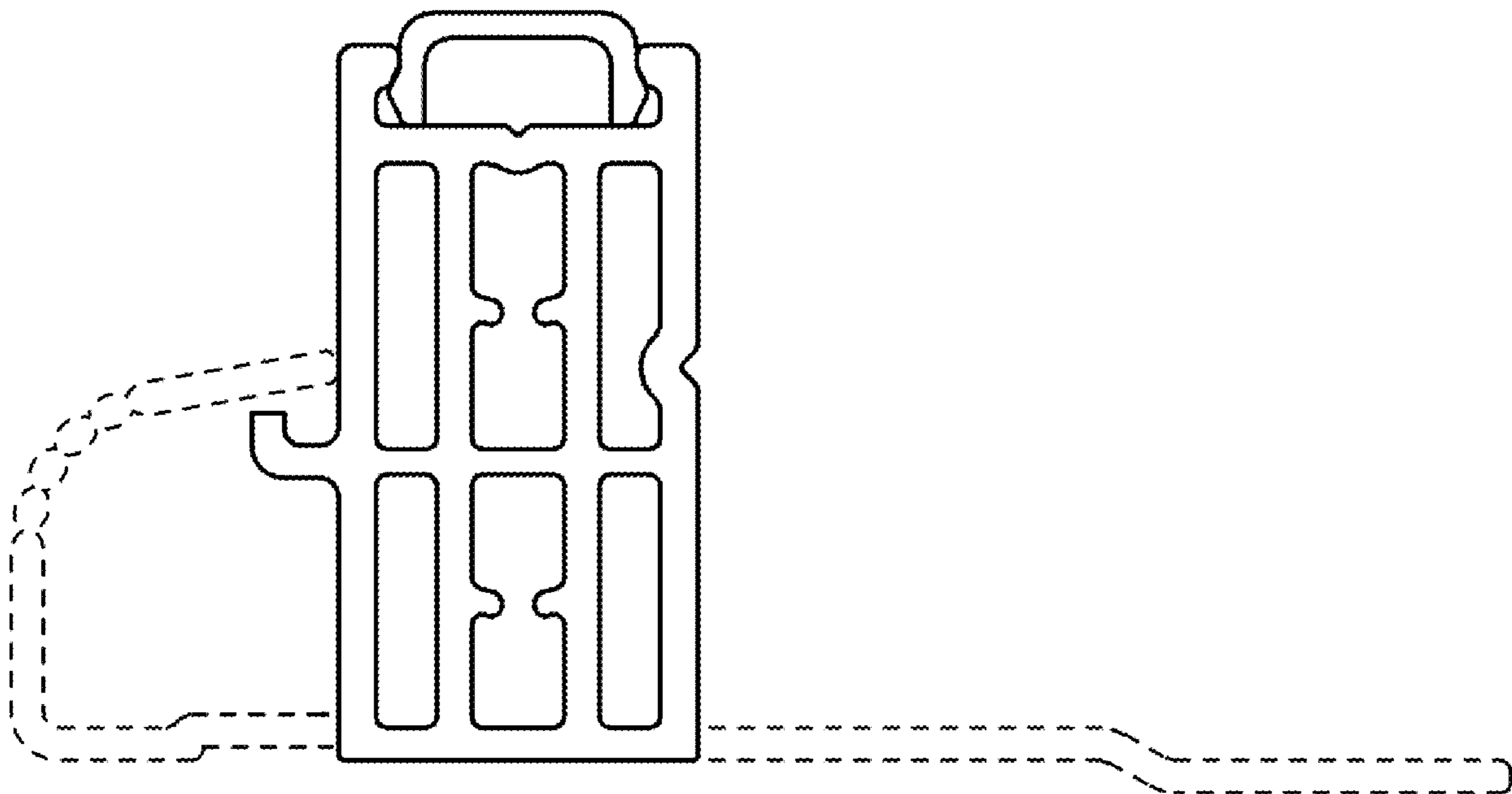
(57) **CLAIM**

The ornamental design for a lineal for holding a panel over a window, as shown and described.

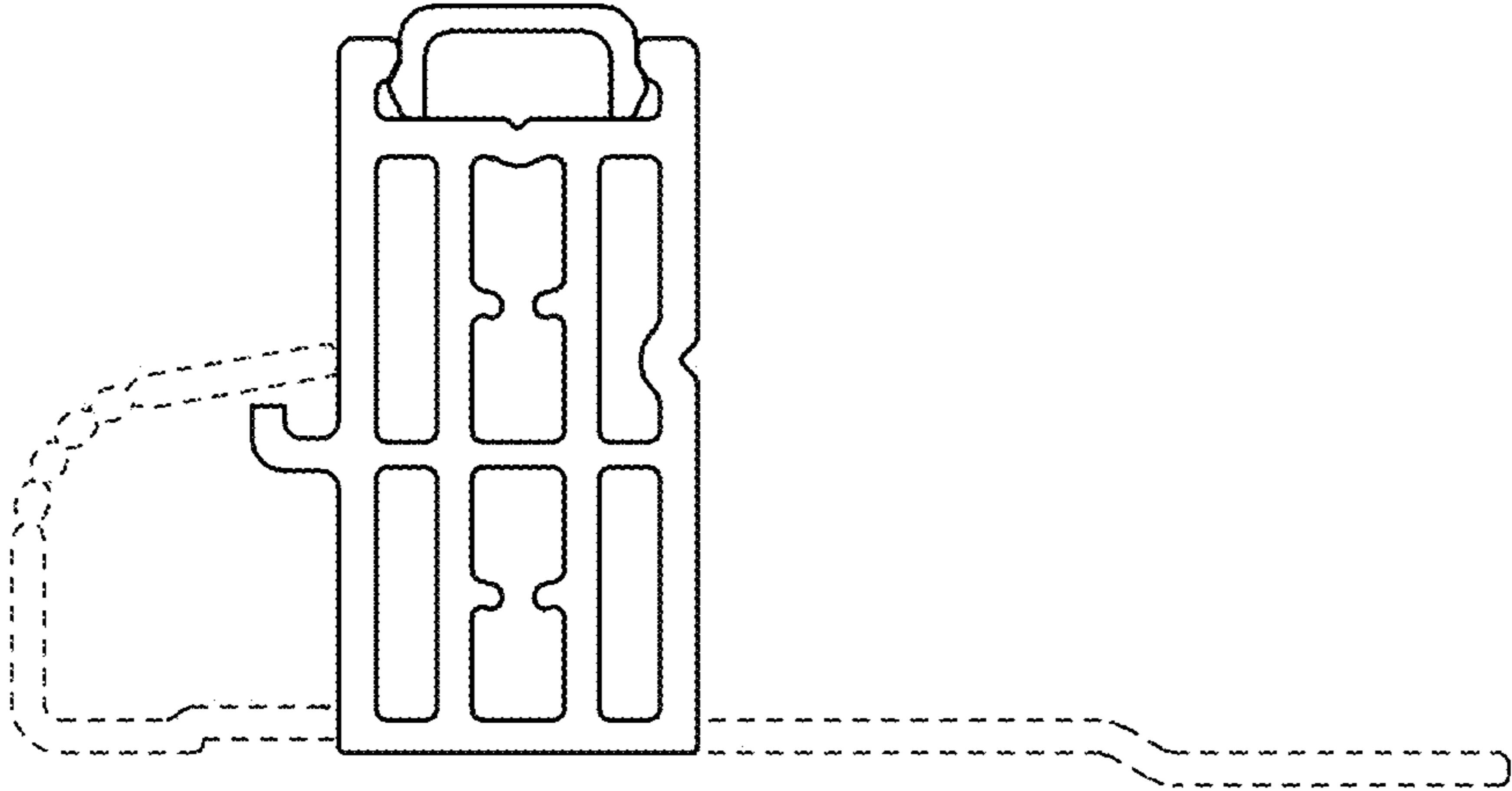
DESCRIPTION

1. Lineal for holding a panel over a window
1.1: Cross-sectional view with cap
1.2 : Perspective view of 1.1
1.3 : Cross-sectional
Matter shown in broken lines is for the purpose of indicating the environment in which the extrudable component is used and form no part of the claimed design.

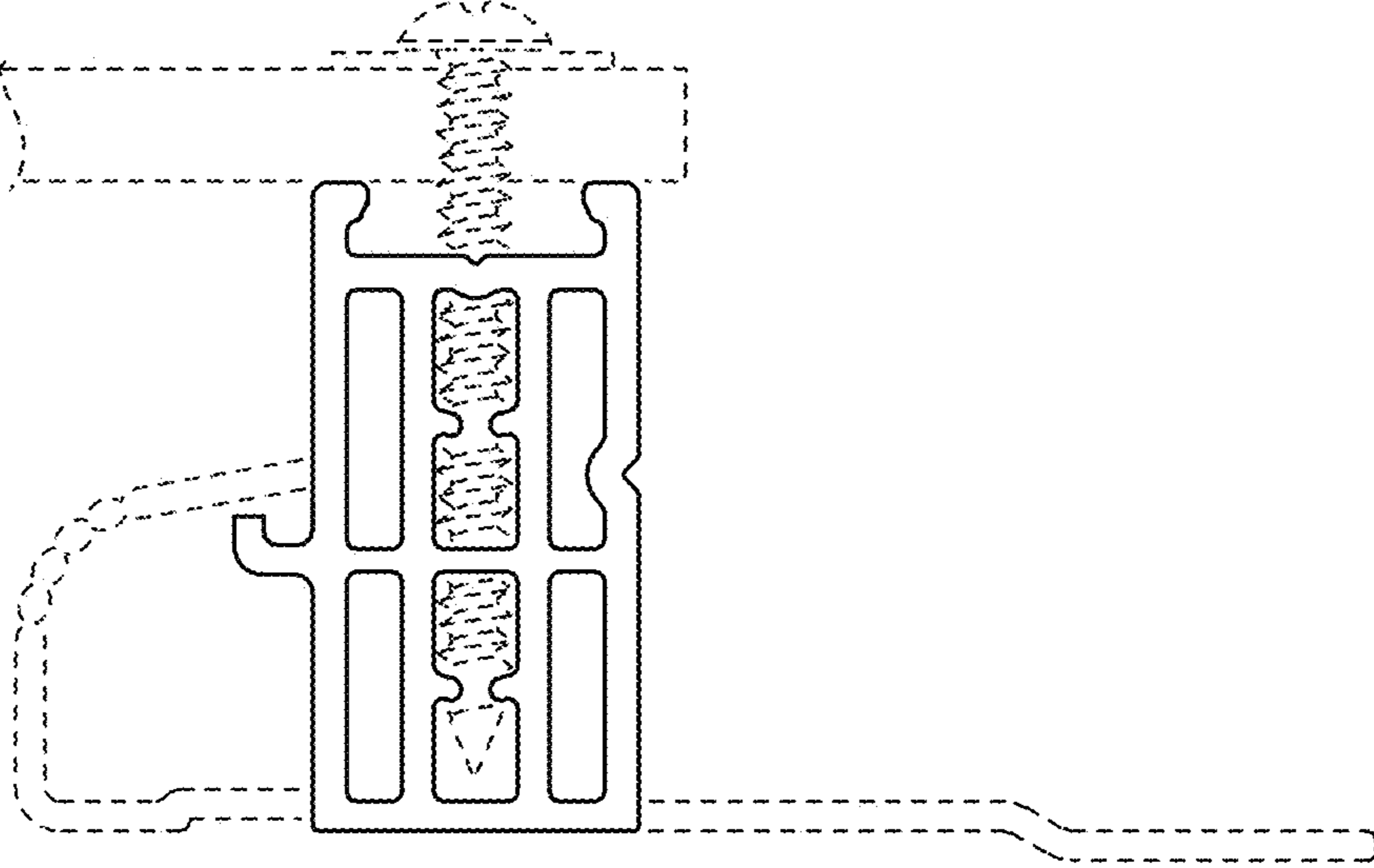
1 Claim, 1 Drawing Sheet



1.1



1.2



1.3

