



US00D884211S

(12) **United States Design Patent**
Teramura

(10) **Patent No.:** **US D884,211 S**

(45) **Date of Patent:** **** May 12, 2020**

(54) **CULTURE DEVICE**

(71) Applicant: **JNC CORPORATION**, Tokyo (JP)

(72) Inventor: **Hajime Teramura**, Kanagawa (JP)

(73) Assignee: **JNC CORPORATION**, Tokyo (JP)

(**) Term: **15 Years**

(21) Appl. No.: **29/659,900**

(22) Filed: **Aug. 13, 2018**

(30) **Foreign Application Priority Data**

Feb. 23, 2018 (JP) D2018-003762

(51) **LOC (12) Cl.** **24-02**

(52) **U.S. Cl.**
USPC **D24/224**

(58) **Field of Classification Search**
USPC D24/216, 223–227, 229–232; D9/420,
D9/537, 545, 549, 700, 705, 706;
D3/203.1, 203.2; D10/81; D28/78
CPC .. B01L 3/0275; B01L 3/5085; B01L 3/50825;
C12M 23/10; C12M 23/12
See application file for complete search history.

(56) **References Cited**

U.S. PATENT DOCUMENTS

- D227,744 S * 7/1973 Mitchko D3/203.2
- D238,756 S * 2/1976 Swett D3/203.2
- D238,886 S * 2/1976 Goy D24/224
- D258,575 S * 3/1981 Stettler D28/78
- D258,761 S * 3/1981 Graham D24/226
- D295,319 S * 4/1988 Franchere D24/224
- D302,872 S * 8/1989 Bakic D28/78
- D303,163 S * 8/1989 Bakic D28/78
- D316,752 S * 5/1991 Ricketts D24/226
- D316,753 S * 5/1991 Ricketts D24/224
- D318,144 S * 7/1991 Scarpa D28/78
- D431,300 S * 9/2000 Fisch D24/225

- D517,733 S * 3/2006 Tsai D28/78
- D544,342 S * 6/2007 Liebe D28/78
- D544,343 S * 6/2007 Liebe D28/78
- D674,505 S * 1/2013 Cecchi D24/224
- D707,039 S * 6/2014 Zerlin D3/203.2
- D790,334 S * 6/2017 Pan D9/423
- D811,740 S * 3/2018 Harrison D3/264
- D831,842 S * 10/2018 Katsumata D24/224
- D834,302 S * 11/2018 Paz D3/203.1

(Continued)

FOREIGN PATENT DOCUMENTS

- CN 201830445546.7 * 8/2018
- JP D2010-12581 * 5/2010
- JP D2013-125 * 1/2013

Primary Examiner — Susan Bennett Hattan

Assistant Examiner — Omeed Agilee

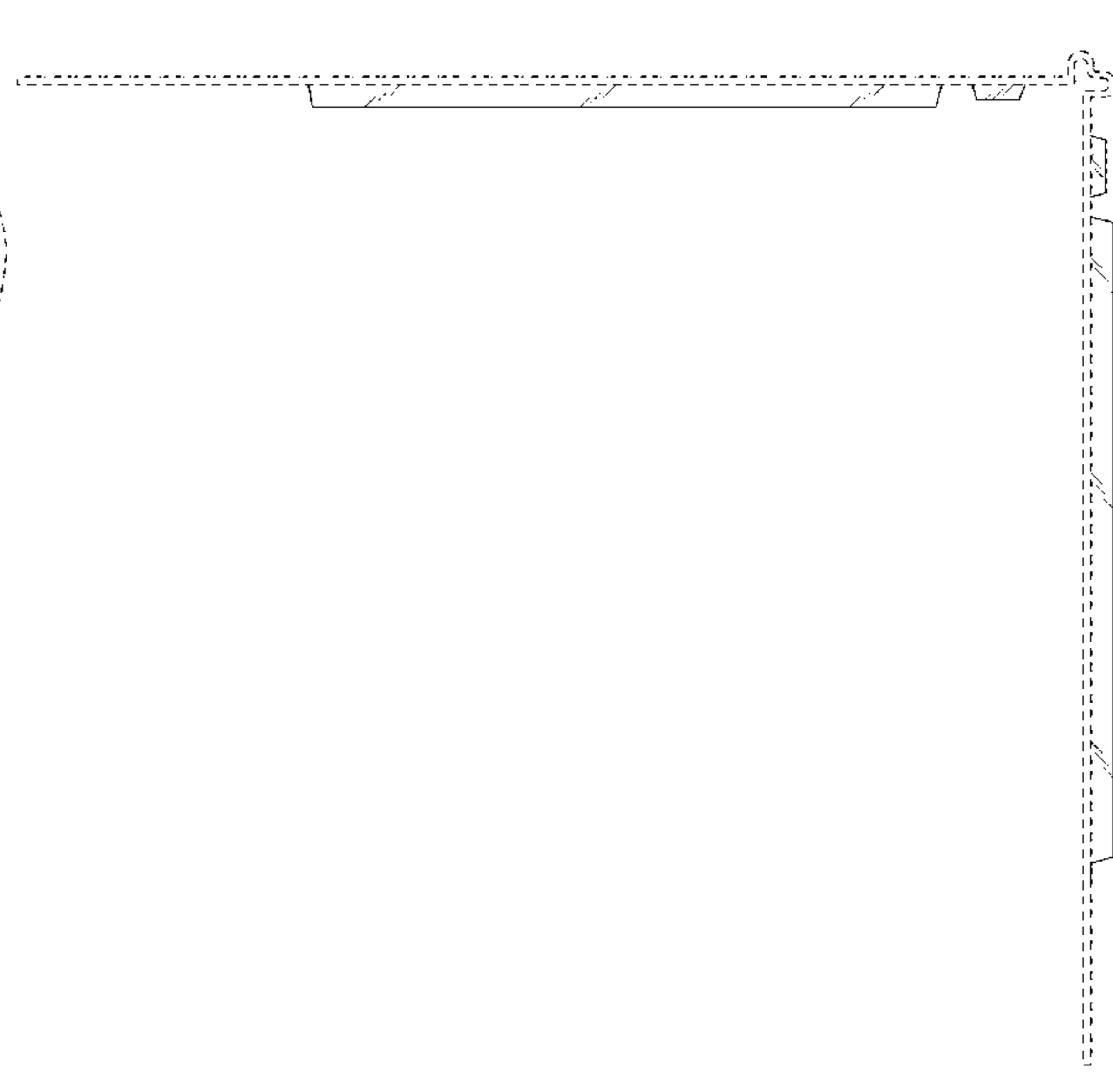
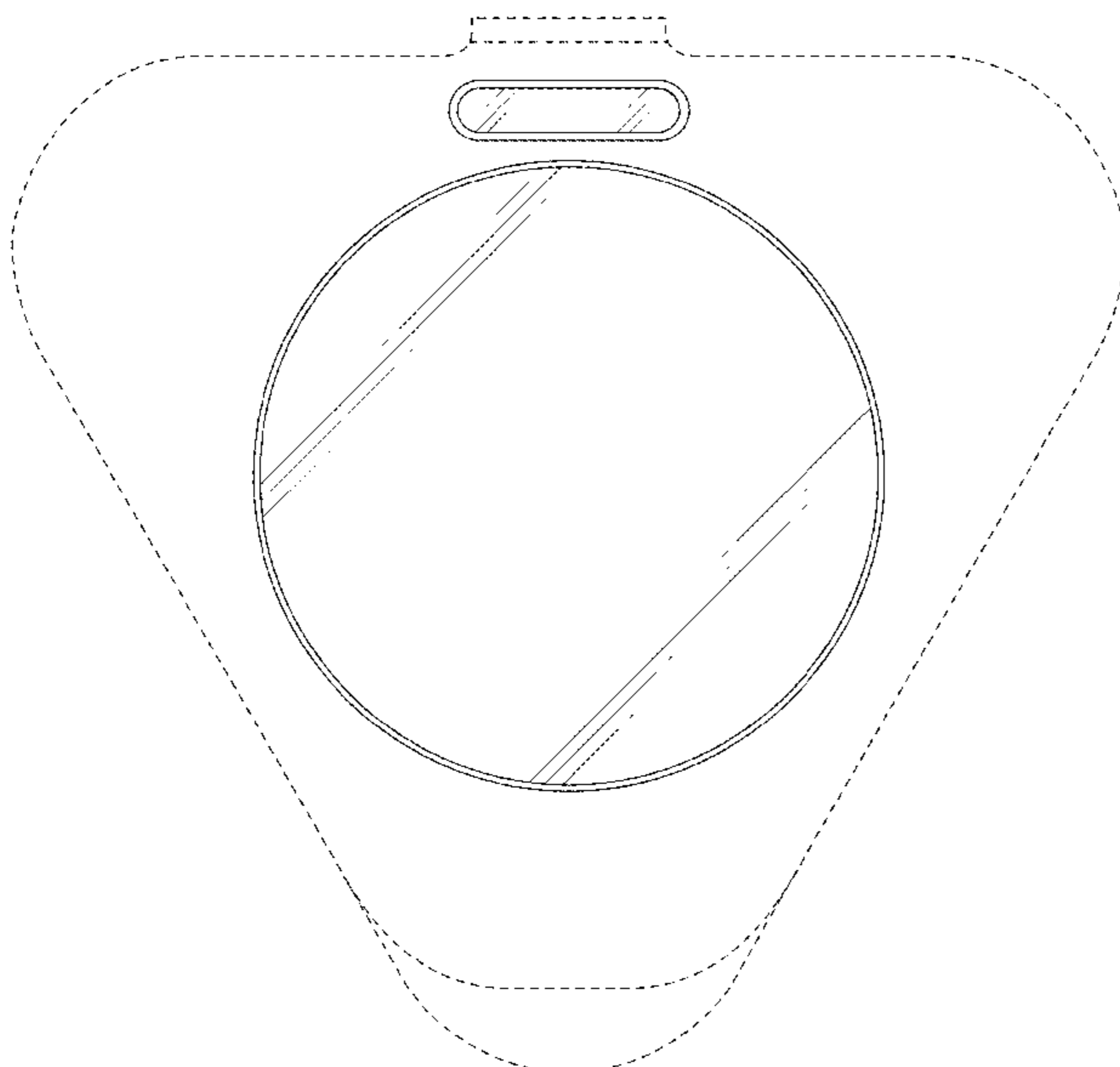
(57) **CLAIM**

The ornamental design for a culture device, as shown and described.

DESCRIPTION

FIG. 1 is a front elevational view of a culture device showing our new design;
 FIG. 2 is a rear elevational view thereof;
 FIG. 3 is a left side elevational view thereof;
 FIG. 4 is a right side elevational view thereof;
 FIG. 5 is a top plan elevational view thereof;
 FIG. 6 is a bottom elevational view thereof;
 FIG. 7 is a cross-sectional view thereof taken along line 7-7 of FIG. 1;
 FIG. 8 is a front elevational view thereof in an open position; and,
 FIG. 9 is a right side elevational view thereof in an open position.
 The broken lines in the drawings depict portions of the culture device that form no part of the claimed design.

1 Claim, 7 Drawing Sheets



(56)

References Cited

U.S. PATENT DOCUMENTS

D834,303 S * 11/2018 Paz D3/203.1
D855,203 S * 7/2019 Katsumata D24/224

* cited by examiner

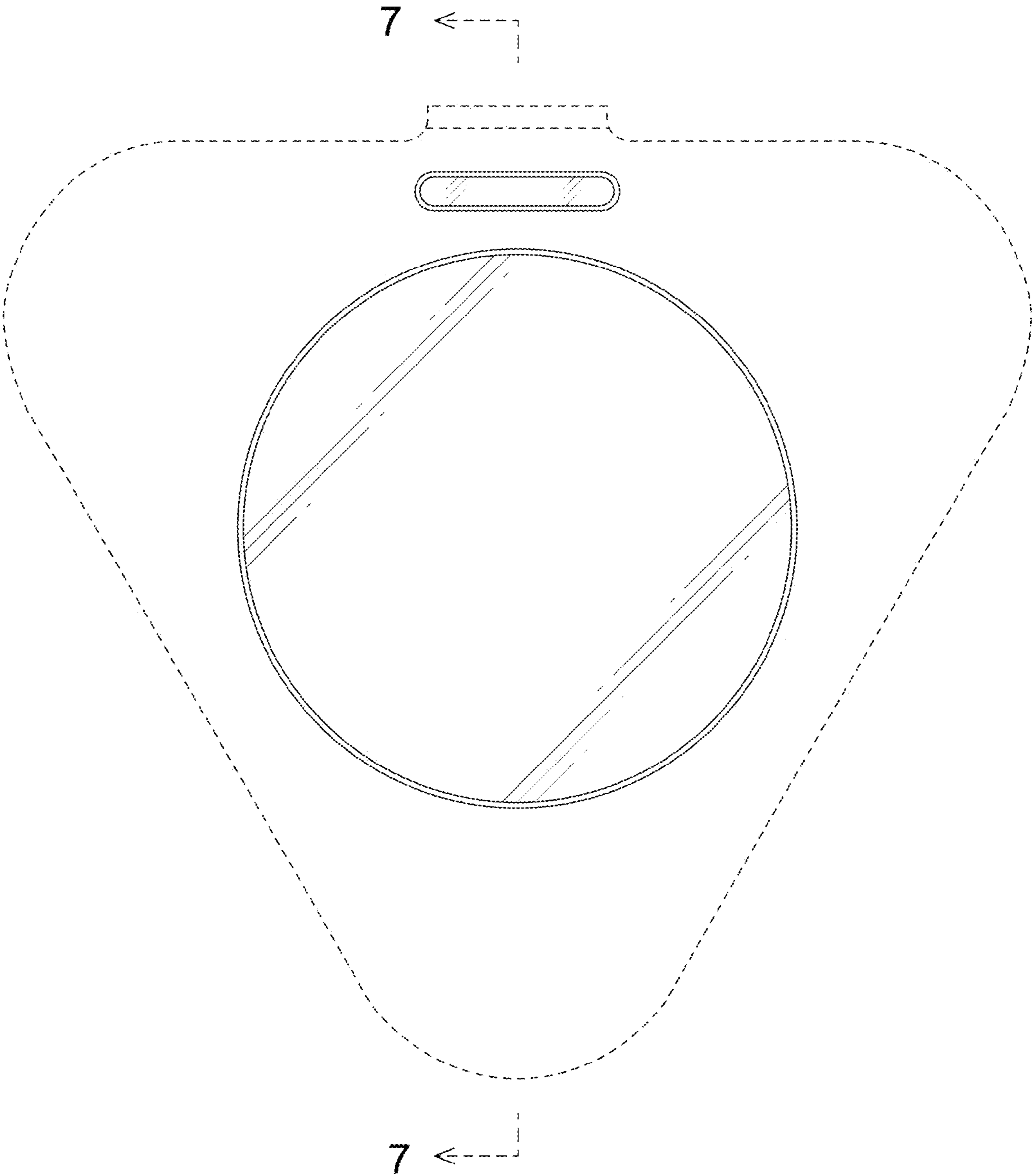


FIG.1

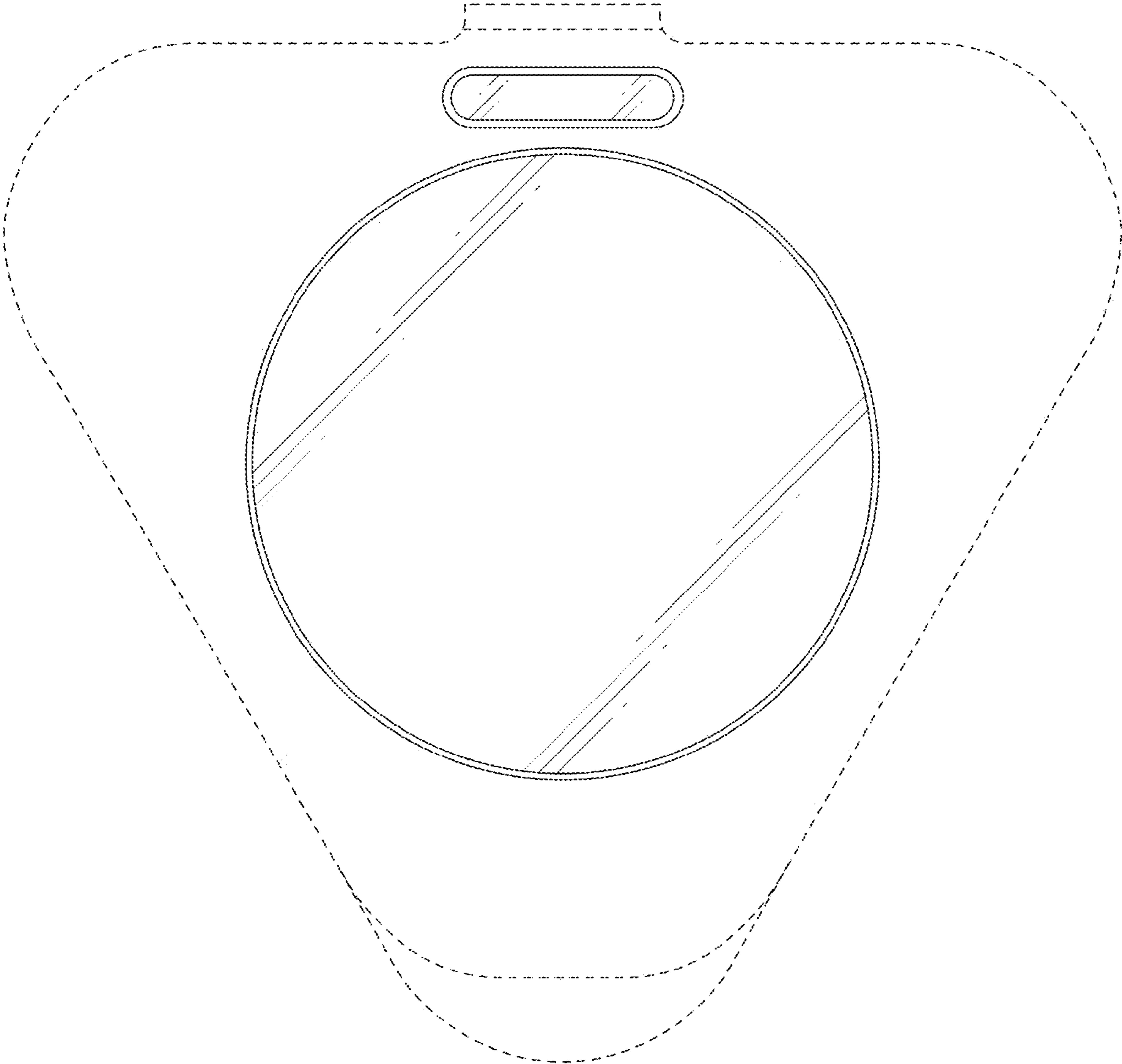


FIG.2

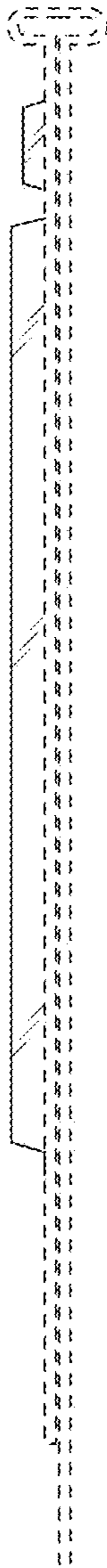


FIG.3

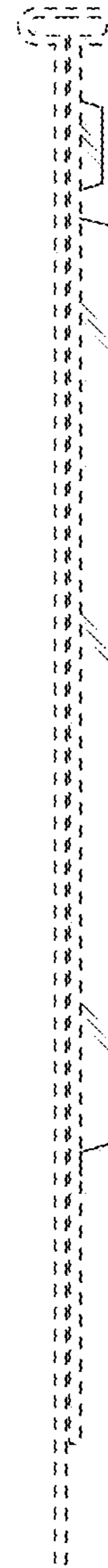


FIG.4



FIG.5

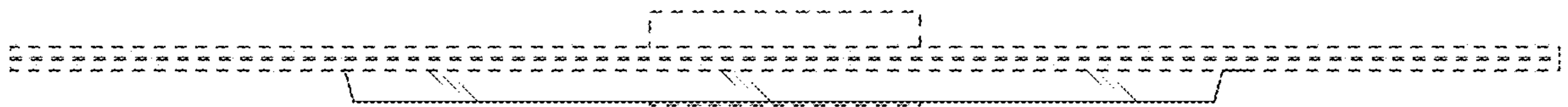


FIG.6

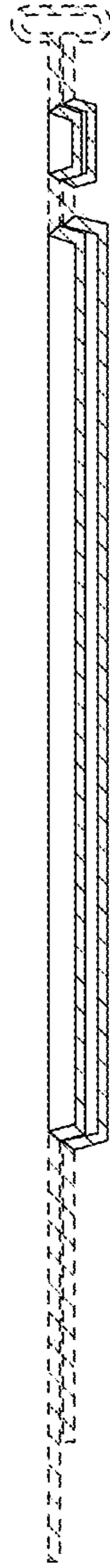


FIG.7

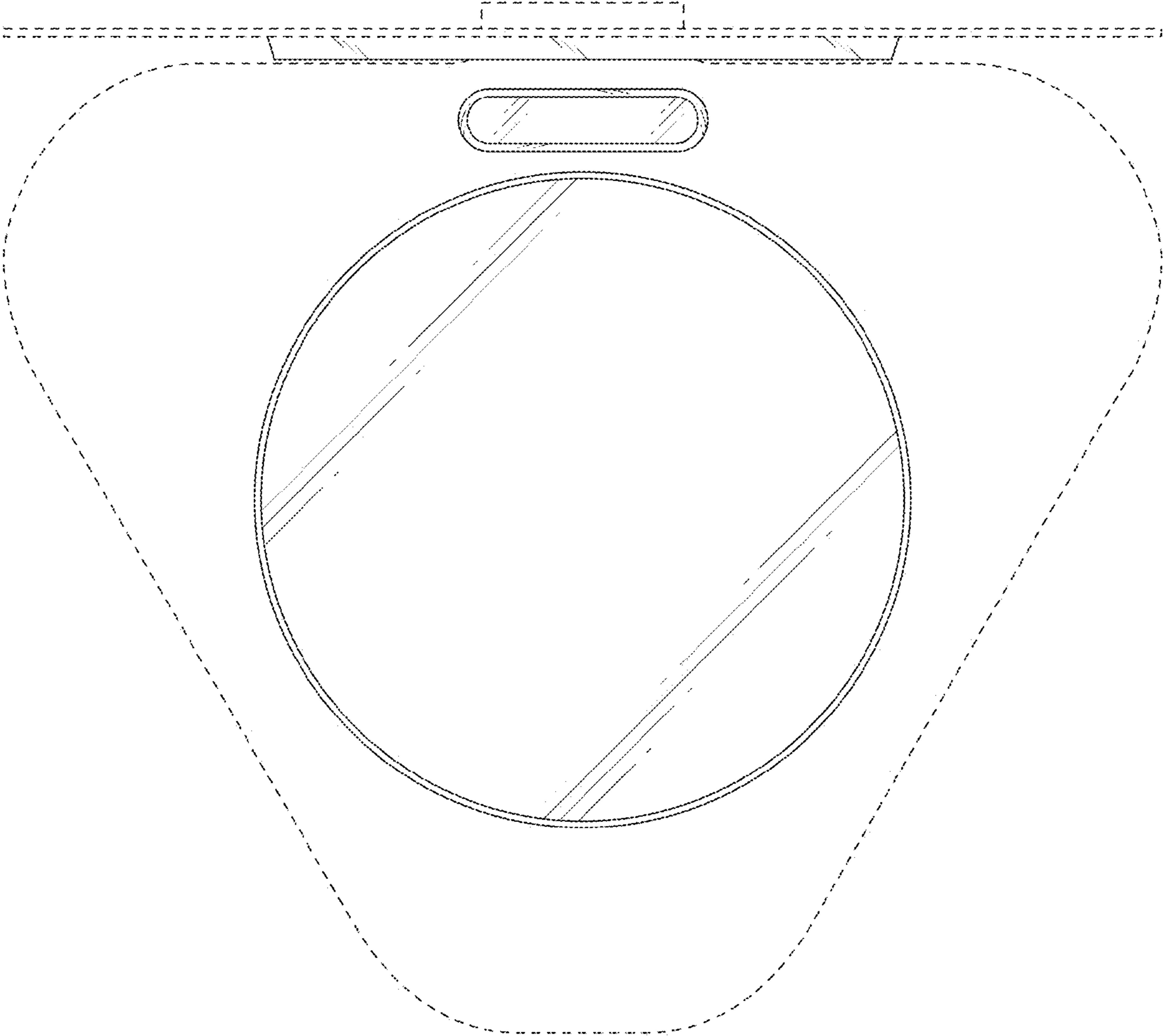


FIG.8

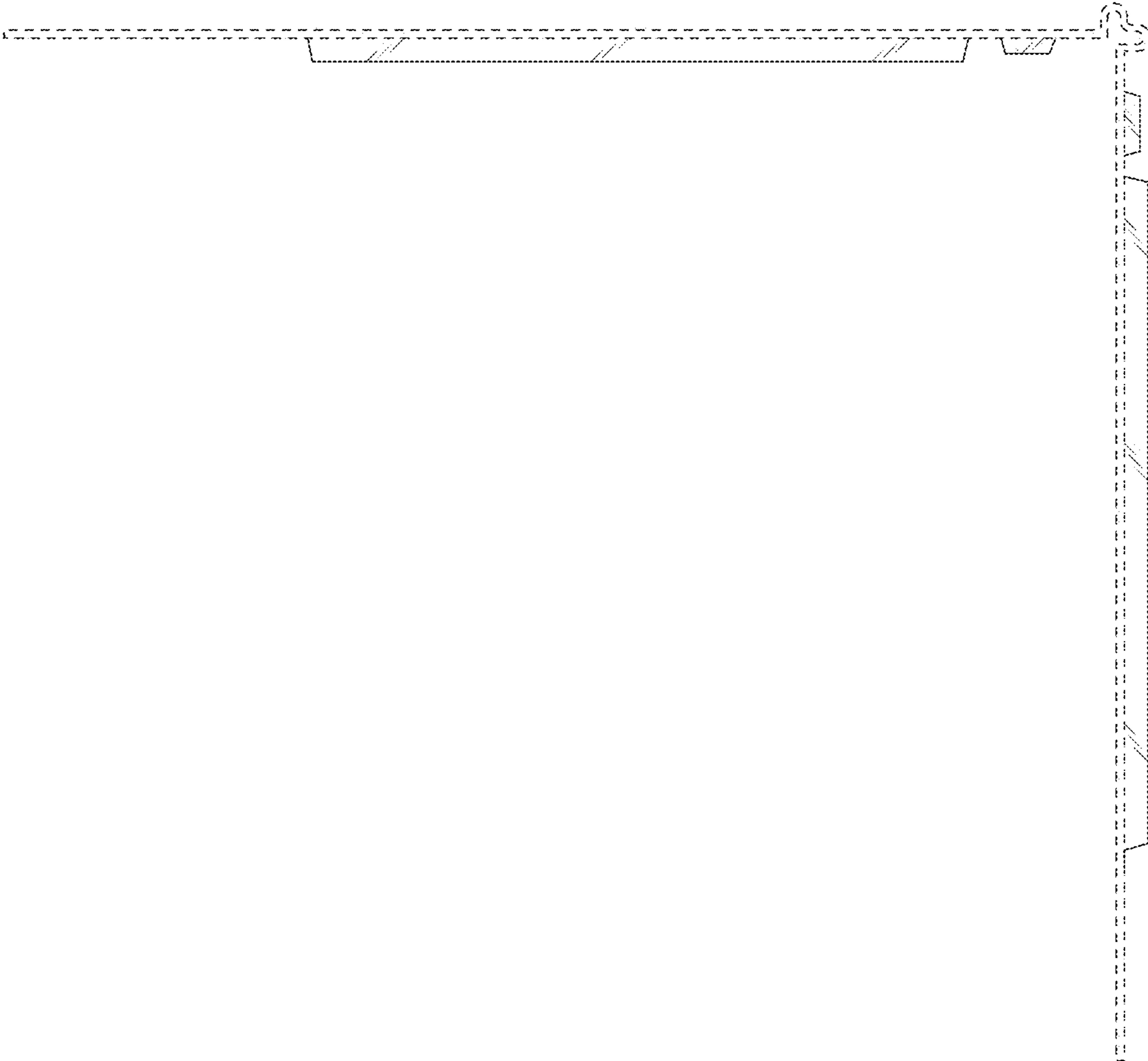


FIG.9