



US00D884210S

(12) **United States Design Patent**  
**Teramura et al.**

(10) **Patent No.:** **US D884,210 S**

(45) **Date of Patent:** **\*\* May 12, 2020**

(54) **CULTURE DEVICE**

(71) Applicant: **JNC CORPORATION**, Tokyo (JP)

(72) Inventors: **Hajime Teramura**, Kanagawa (JP); **Aoi Fujiwara**, Kanagawa (JP)

(73) Assignee: **JNC CORPORATION**, Tokyo (JP)

(\*\*) Term: **15 Years**

(21) Appl. No.: **29/659,899**

(22) Filed: **Aug. 13, 2018**

(30) **Foreign Application Priority Data**

Feb. 23, 2018 (JP) ..... D2018-003761

(51) **LOC (12) Cl.** ..... **24-02**

(52) **U.S. Cl.**  
USPC ..... **D24/224**

(58) **Field of Classification Search**  
USPC ..... D24/216, 223-227, 229-232; D9/420,  
D9/537, 545, 549, 700, 705, 706;  
D3/203.1, 203.2; D10/81; D28/78  
CPC .. B01L 3/0275; B01L 3/5085; B01L 3/50825;  
C12M 23/10; C12M 23/12  
See application file for complete search history.

(56) **References Cited**

**U.S. PATENT DOCUMENTS**

D227,744 S *	7/1973	Mitchko	.....	D3/203.2
D238,756 S *	2/1976	Swett	.....	D3/203.2
D238,886 S *	2/1976	Goy	.....	D24/224
D258,575 S *	3/1981	Stettler	.....	D28/78
D258,761 S *	3/1981	Graham	.....	D24/226
D295,319 S *	4/1988	Franchere	.....	D24/224
D302,872 S *	8/1989	Bakic	.....	D28/78
D303,163 S *	8/1989	Bakic	.....	D28/78
D316,752 S *	5/1991	Ricketts	.....	D24/226
D316,753 S *	5/1991	Ricketts	.....	D24/224
D318,144 S *	7/1991	Scarpa	.....	D28/78

D431,300 S *	9/2000	Fisch	.....	D24/225
D517,733 S *	3/2006	Tsai	.....	D28/78
D544,342 S *	6/2007	Liebe	.....	D28/78
D544,343 S *	6/2007	Liebe	.....	D28/78
D674,505 S *	1/2013	Cecchi	.....	D24/224
D707,039 S *	6/2014	Zerlin	.....	D3/203.2
D790,334 S *	6/2017	Pan	.....	D9/423
D811,740 S *	3/2018	Harrison	.....	D3/264
D831,842 S *	10/2018	Katsumata	.....	D24/224
D834,302 S *	11/2018	Paz	.....	D3/203.1

(Continued)

**FOREIGN PATENT DOCUMENTS**

CN	201830445546.7	*	8/2018
JP	D2010-12581	*	5/2010
JP	D2013-125	*	1/2013

*Primary Examiner* — Susan Bennett Hattan

*Assistant Examiner* — Omeed Agilee

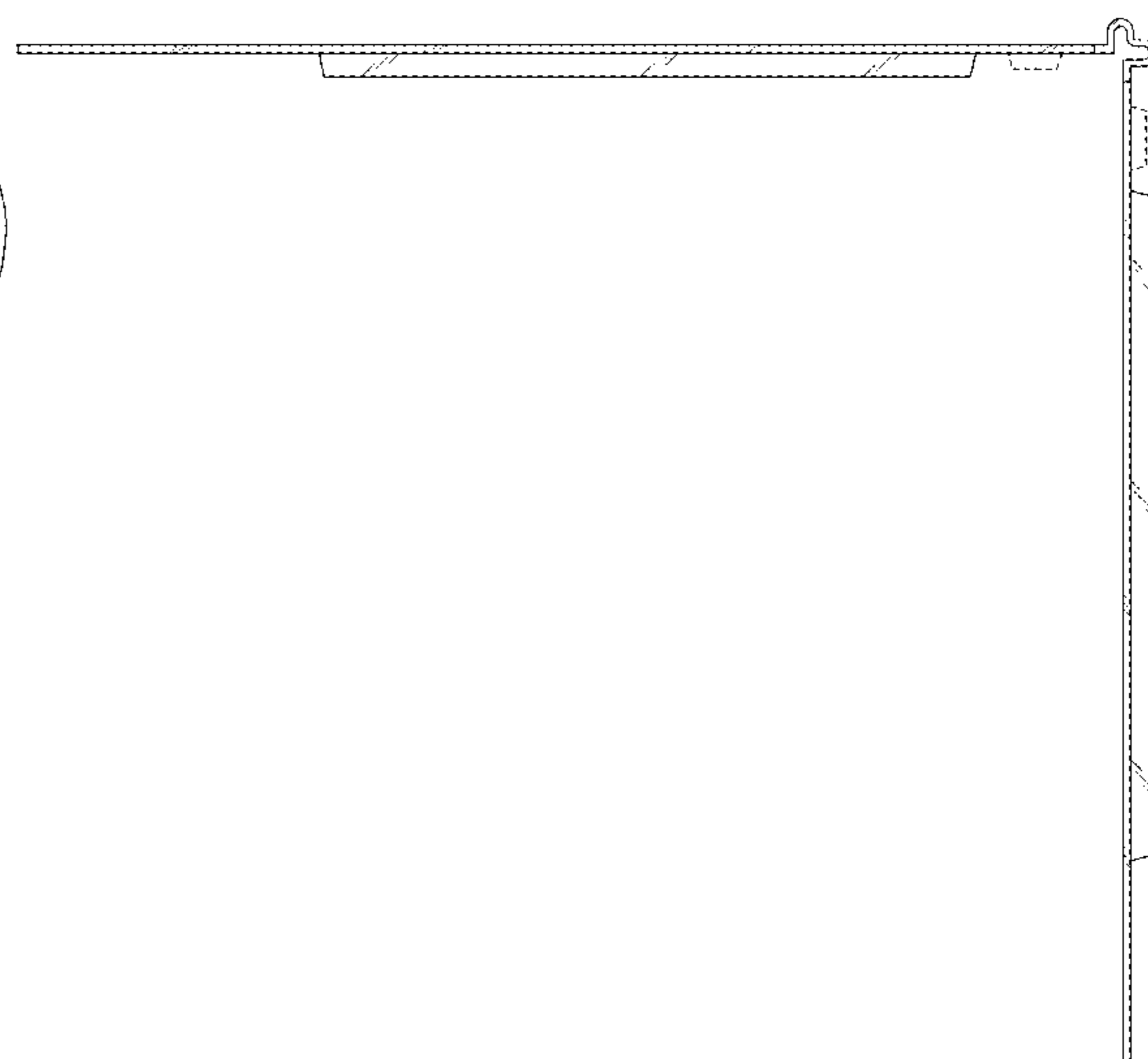
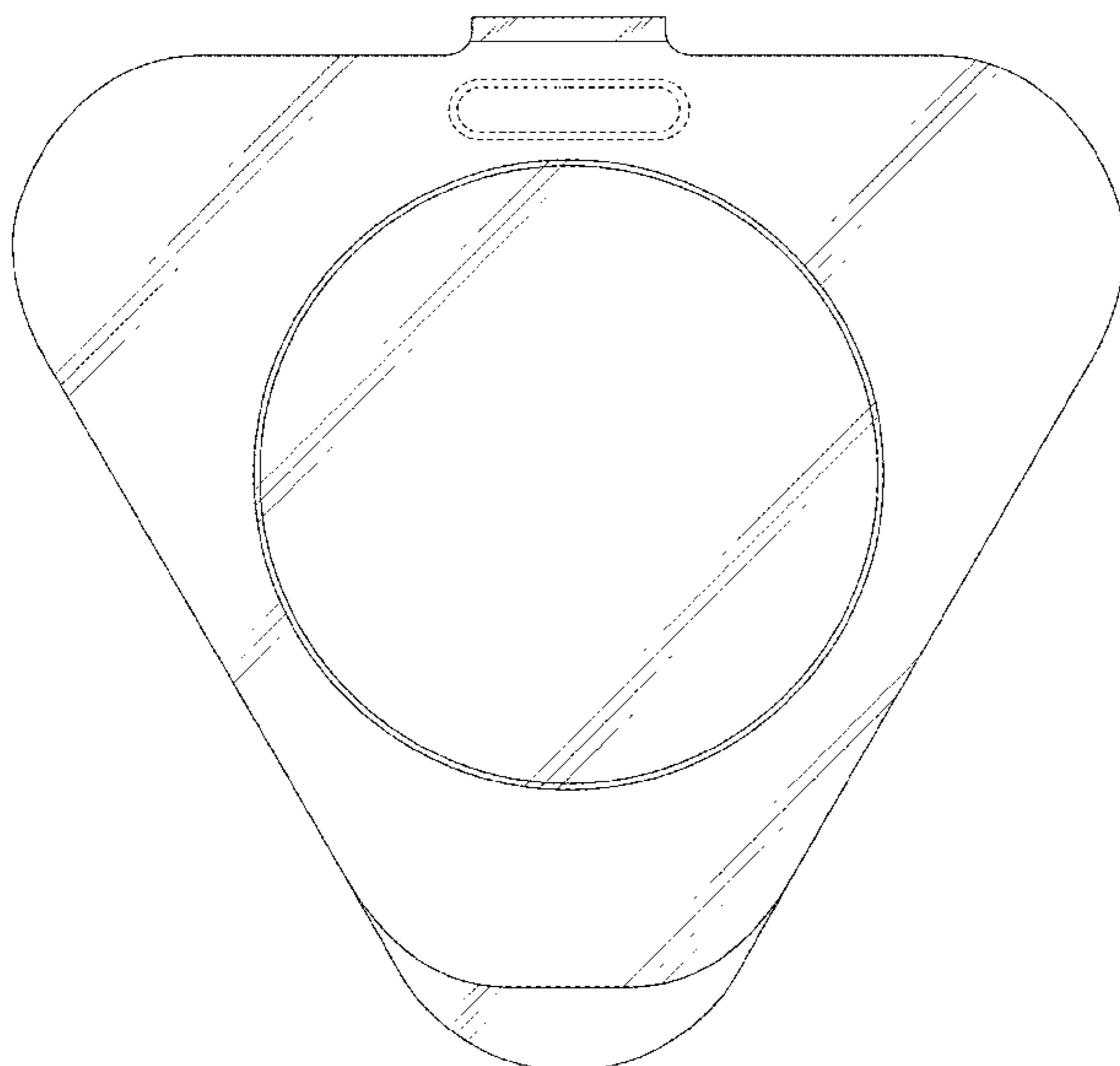
(57) **CLAIM**

The ornamental design for a culture device, as shown and described.

**DESCRIPTION**

FIG. 1 is a front elevational view of a culture device showing our new design;  
 FIG. 2 is a rear elevational view thereof;  
 FIG. 3 is a left side elevational view thereof;  
 FIG. 4 is a right side elevational view thereof;  
 FIG. 5 is a top plan elevational view thereof;  
 FIG. 6 is a bottom elevational view thereof;  
 FIG. 7 is a cross-sectional view thereof taken along line 7-7 of FIG. 1;  
 FIG. 8 is a front elevational view thereof in an open position; and,  
 FIG. 9 is a right side elevational view thereof in an open position.  
 The broken lines in the drawings depict portions of the culture device that form no part of the claimed design.

**1 Claim, 7 Drawing Sheets**



(56)

**References Cited**

U.S. PATENT DOCUMENTS

D834,303 S \* 11/2018 Paz ..... D3/203.1  
D855,203 S \* 7/2019 Katsumata ..... D24/224

\* cited by examiner

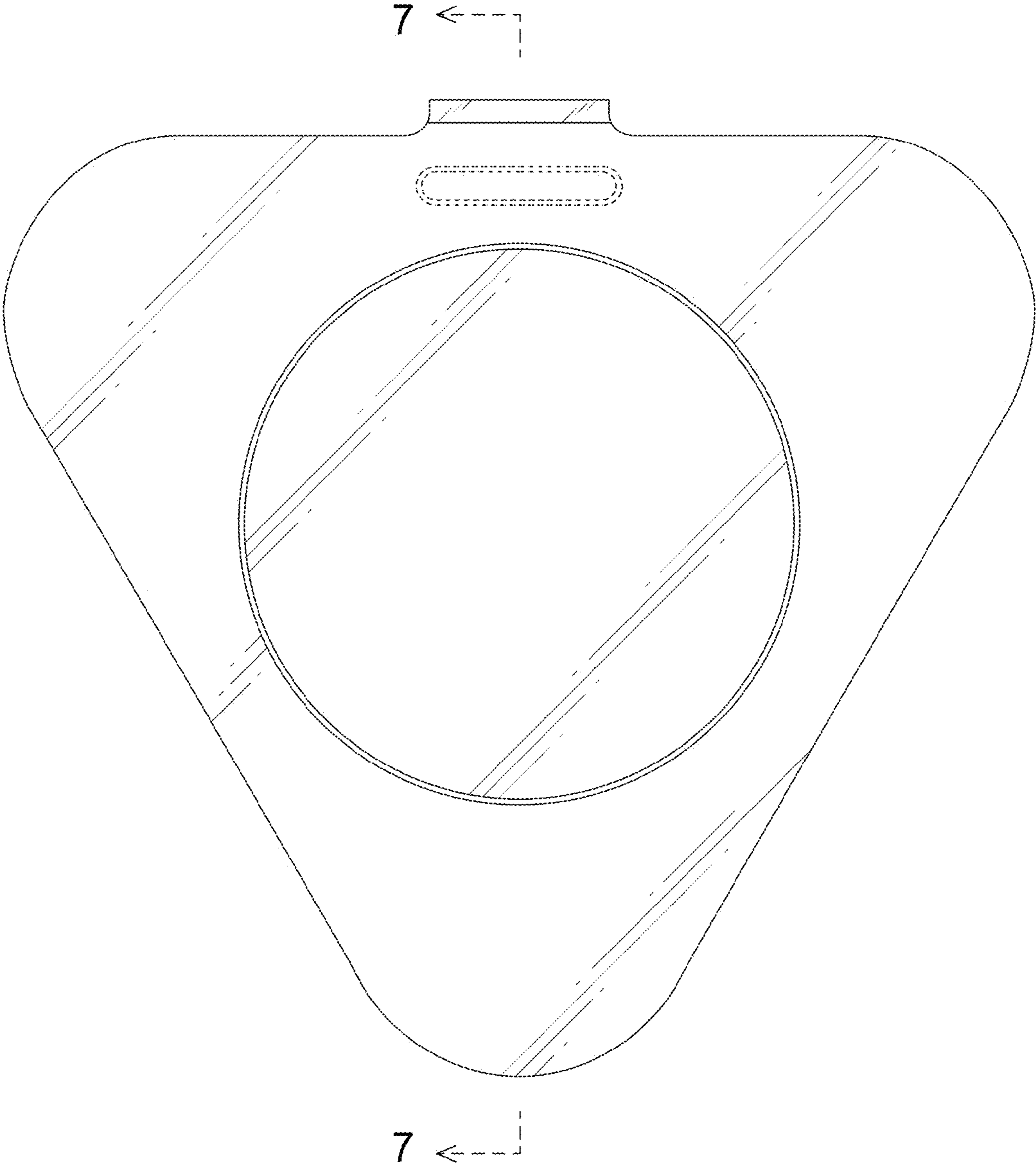


FIG.1

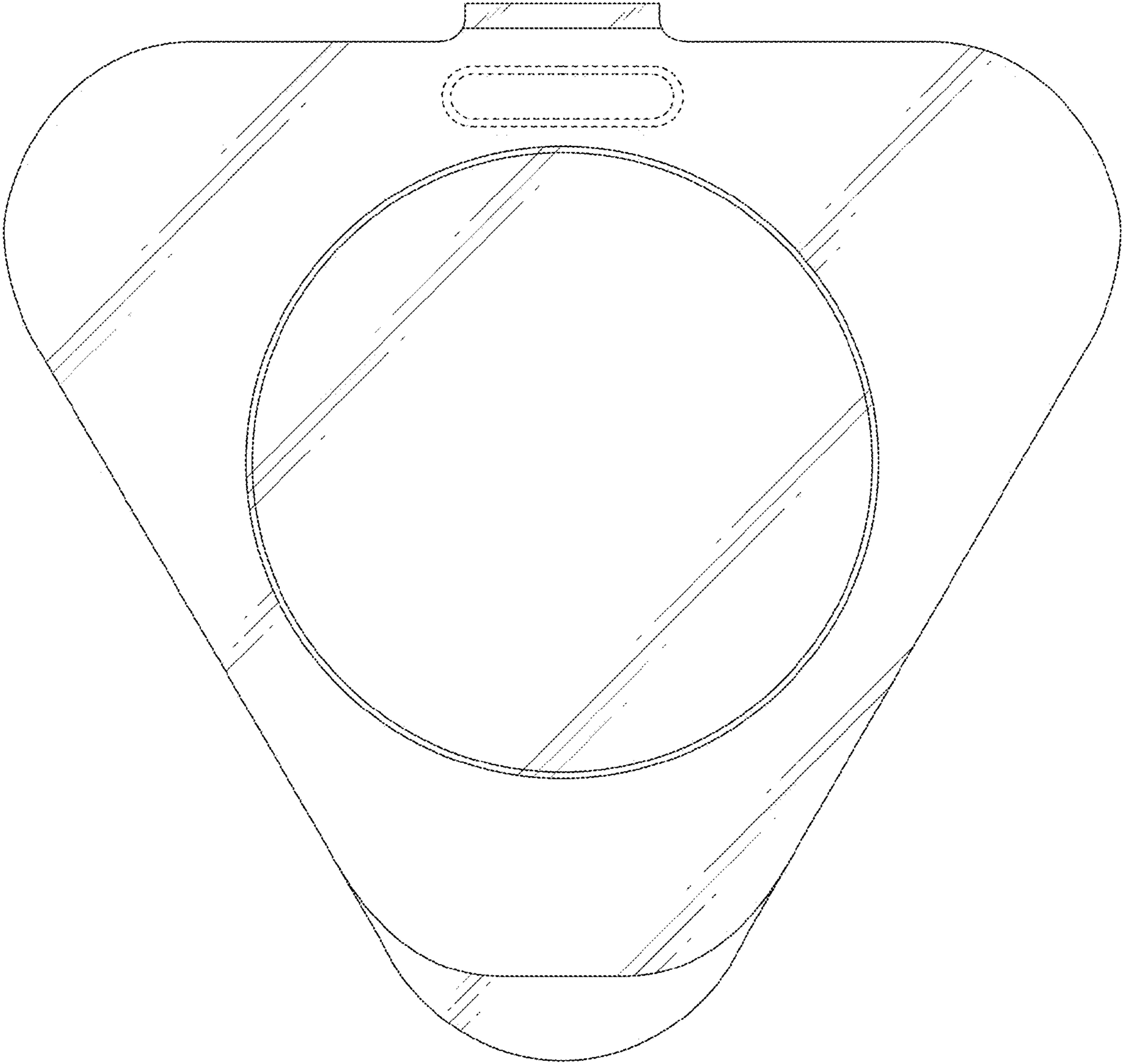


FIG.2

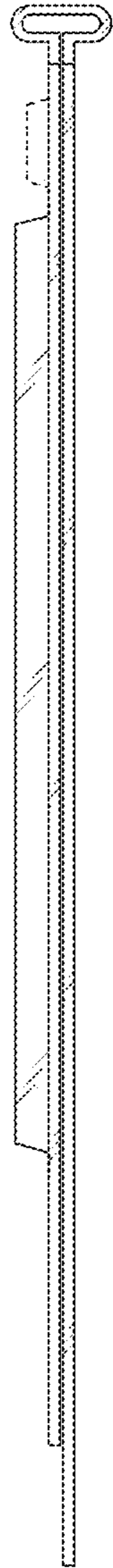


FIG.3

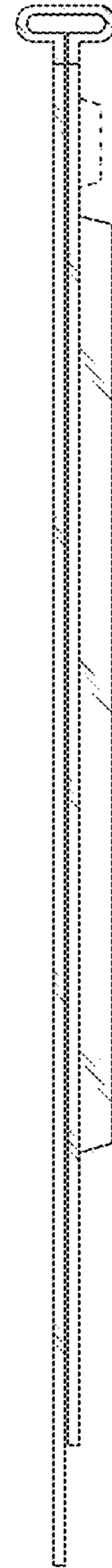


FIG.4

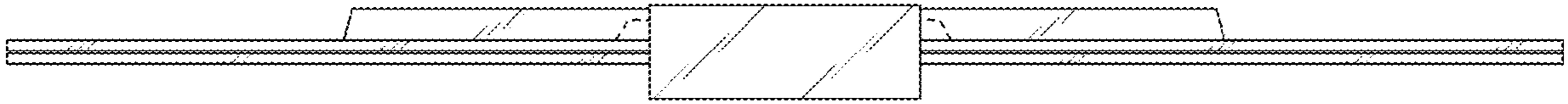


FIG. 5

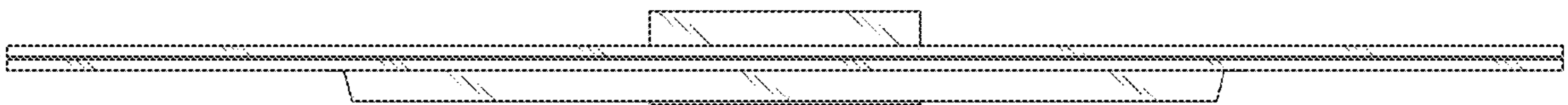


FIG. 6

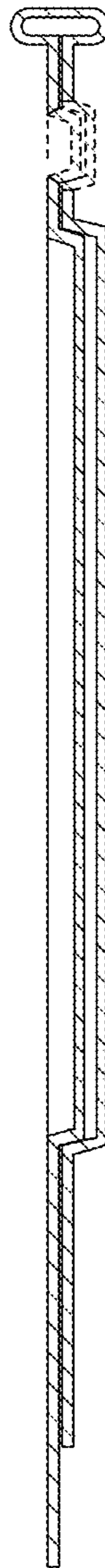


FIG.7



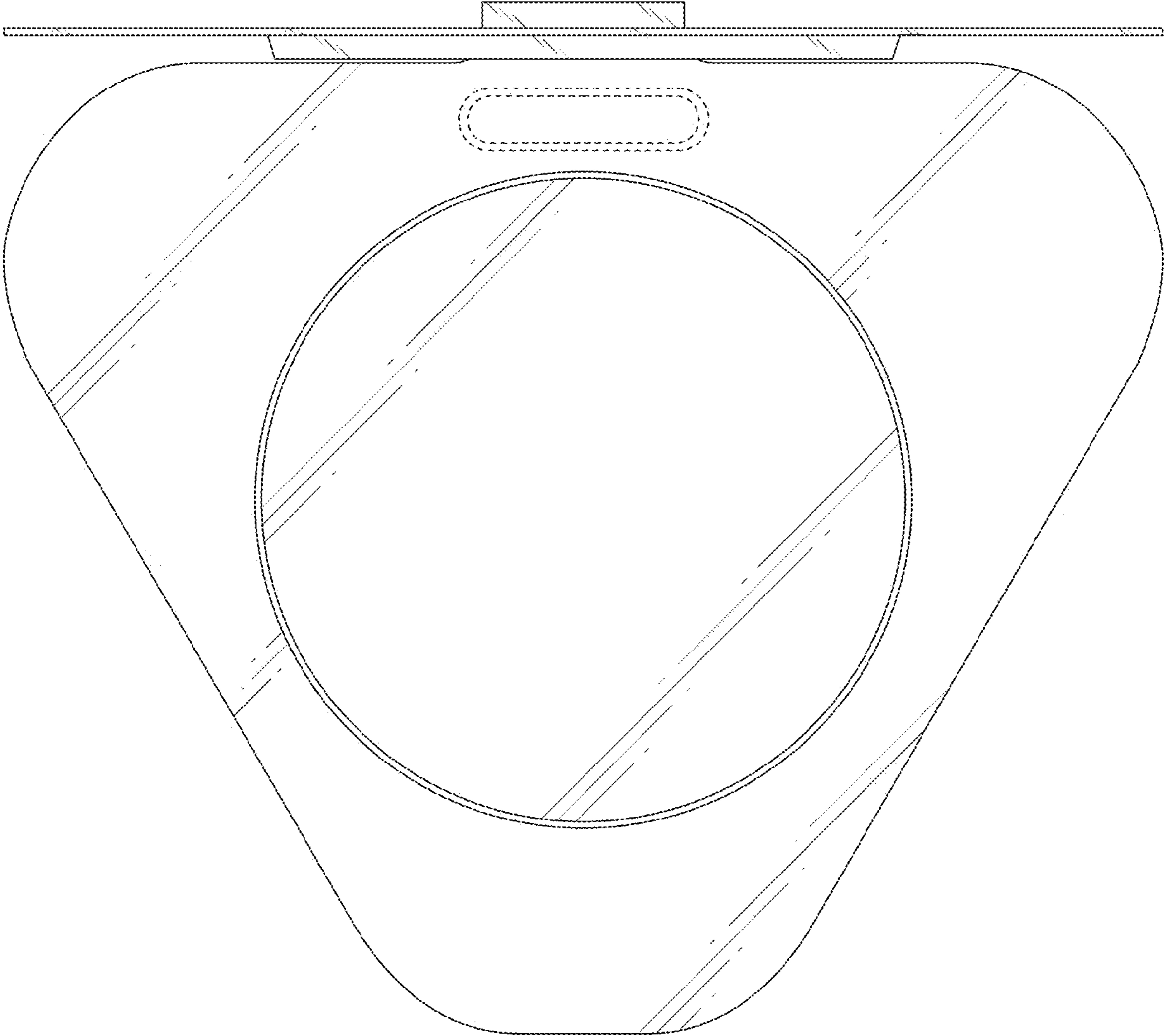


FIG.8



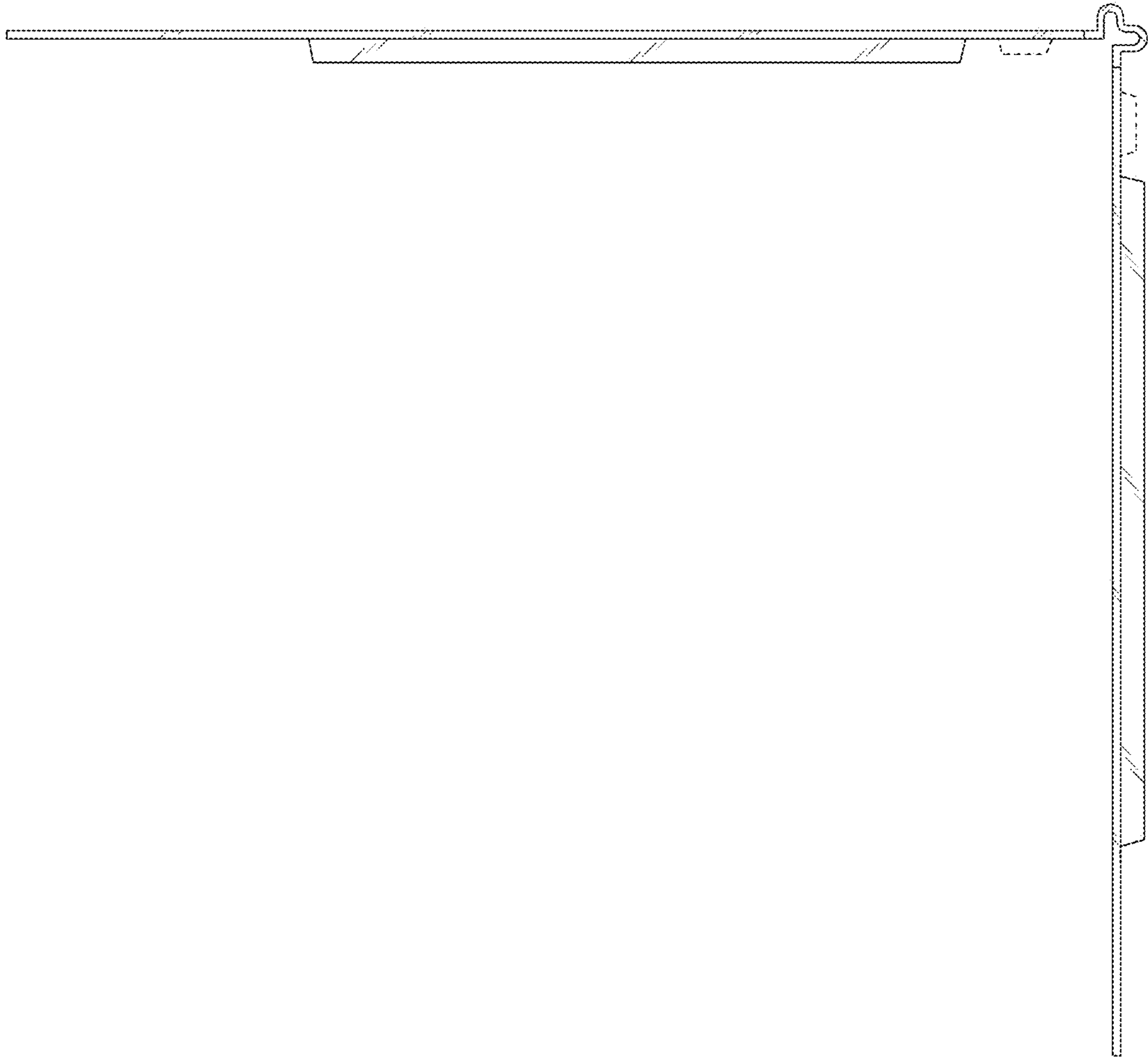


FIG.9