



US00D884209S

(12) **United States Design Patent**
Pak

(10) **Patent No.:** **US D884,209 S**

(45) **Date of Patent:** **** May 12, 2020**

(54) **CELLULAR TISSUE HOMOGENIZER**

(71) Applicant: **Jae woo Pak**, Seoul (KR)

(72) Inventor: **Jae woo Pak**, Seoul (KR)

(**) Term: **15 Years**

(21) Appl. No.: **29/669,946**

(22) Filed: **Nov. 13, 2018**

(51) **LOC (12) Cl.** **24-02**

(52) **U.S. Cl.**
USPC **D24/220**

(58) **Field of Classification Search**
USPC D24/220, 227, 129, 130, 216
CPC A61M 5/1407; A61M 5/1409; A61M
5/1408; A61B 10/02; H02K 1/2733
See application file for complete search history.

(56) **References Cited**

U.S. PATENT DOCUMENTS

| | | | | | |
|-----------|-----|--------|----------|-------|-------------|
| 3,305,446 | A * | 2/1967 | Bechtol | | A61M 5/1409 |
| | | | | | 604/519 |
| 3,941,126 | A * | 3/1976 | Dietrich | | A61M 5/1408 |
| | | | | | 604/80 |
| D272,088 | S * | 1/1984 | Simons | | D24/220 |
| 4,865,585 | A * | 9/1989 | Theeuwes | | A61M 5/1407 |
| | | | | | 604/85 |
| 5,197,483 | A * | 3/1993 | Rogalsky | | A61B 10/02 |
| | | | | | 241/169.2 |

| | | | | | |
|-----------|-----|---------|---------|-------|-------------|
| 5,734,216 | A * | 3/1998 | Yamada | | H02K 1/2733 |
| | | | | | 310/156.21 |
| D472,323 | S * | 3/2003 | Sand | | D24/220 |
| D490,159 | S * | 5/2004 | Sand | | D24/220 |
| D660,453 | S * | 5/2012 | Jani | | D24/220 |
| D743,571 | S * | 11/2015 | Jackson | | D24/216 |
| D793,551 | S * | 8/2017 | Nelson | | D24/129 |
| D815,278 | S * | 4/2018 | Pak | | D24/130 |
| D829,339 | S * | 9/2018 | Doebler | | D24/227 |

* cited by examiner

Primary Examiner — Rhea Shields

(74) *Attorney, Agent, or Firm* — LRK Patent Law Firm

(57) **CLAIM**

The ornamental design for a cellular tissue homogenizer, as shown and described.

DESCRIPTION

FIG. 1 is a perspective view of new design for cellular tissue homogenizer as shown in the drawings;
FIG. 2 is a front elevation view thereof;
FIG. 3 is a rear elevation view thereof;
FIG. 4 is a left side view thereof;
FIG. 5 is a right side view thereof;
FIG. 6 is a top plan view thereof;
FIG. 7 is a bottom plan view thereof;
FIG. 8 is a cross-sectional view taken along line 8-8 of FIG. 2; and,
FIG. 9 is a cross-sectional view taken along line 9-9 of FIG. 6.

1 Claim, 9 Drawing Sheets

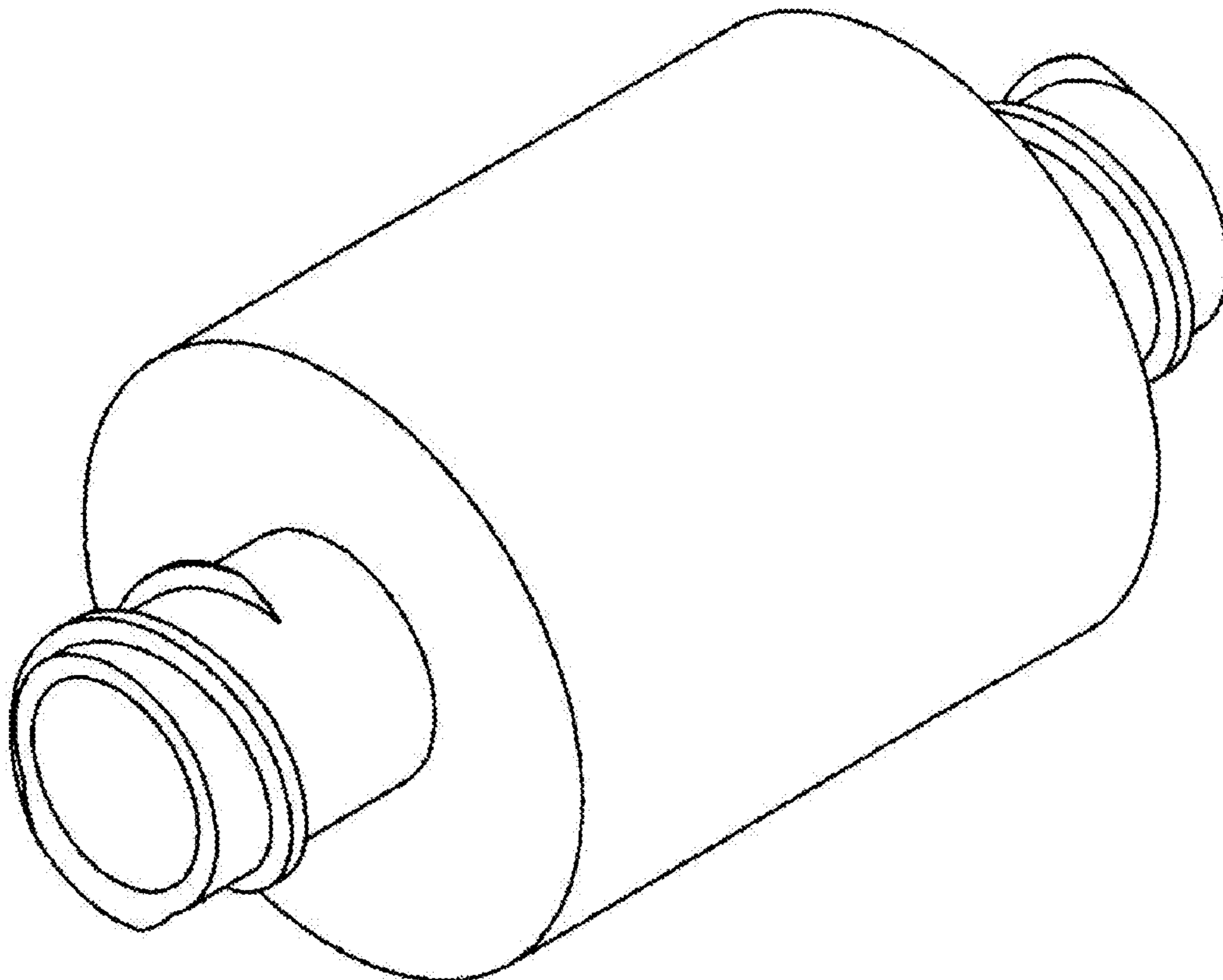


FIG. 1

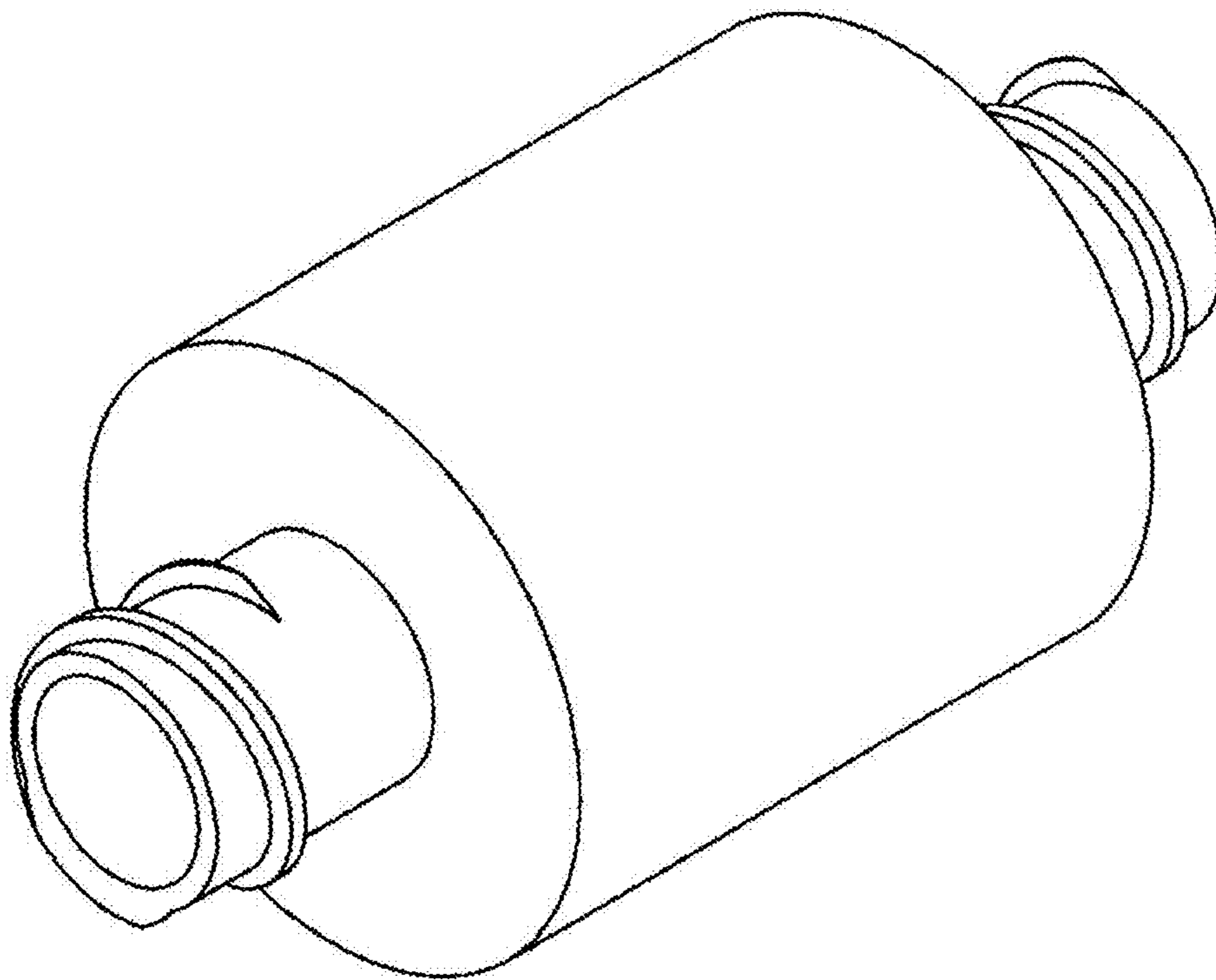


FIG. 2

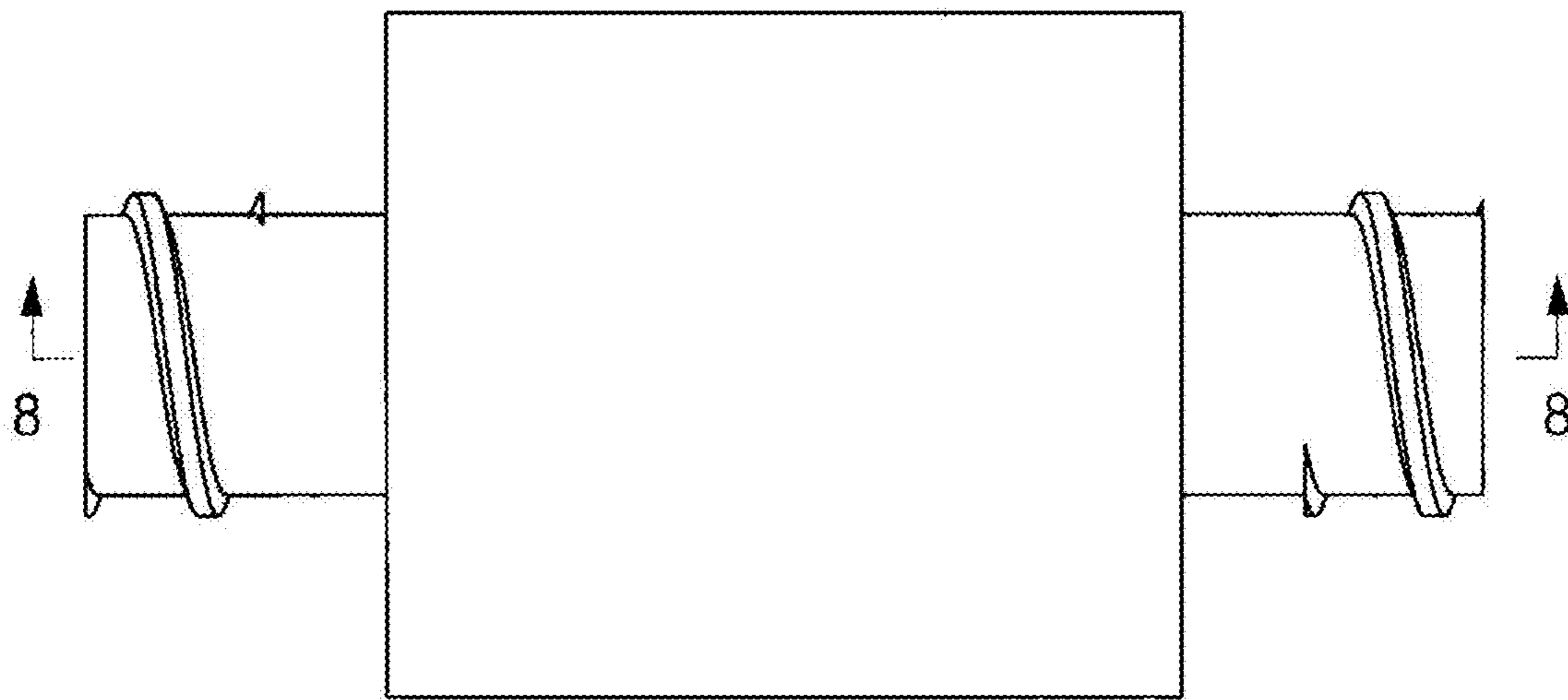


FIG. 3

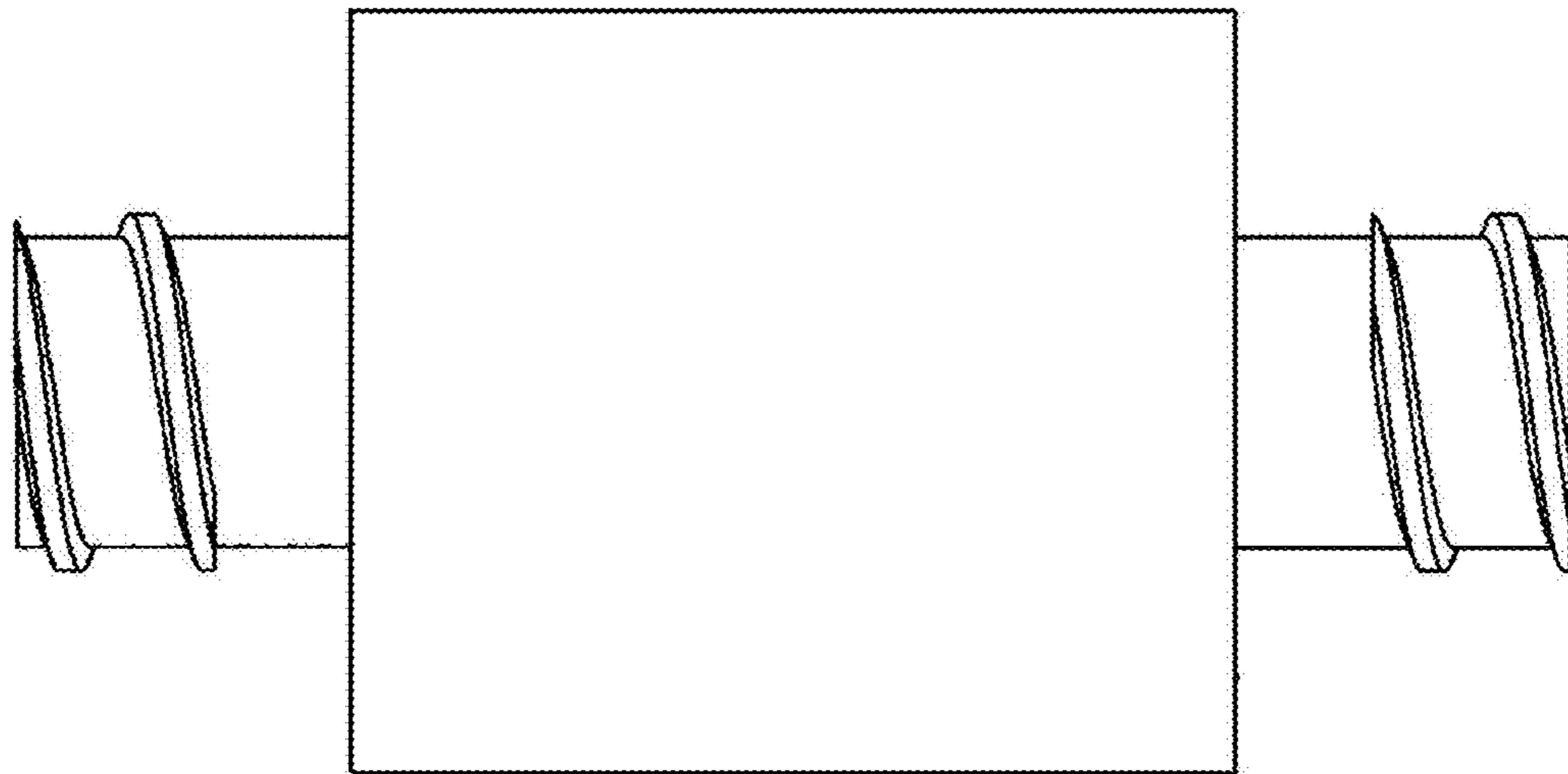


FIG. 4

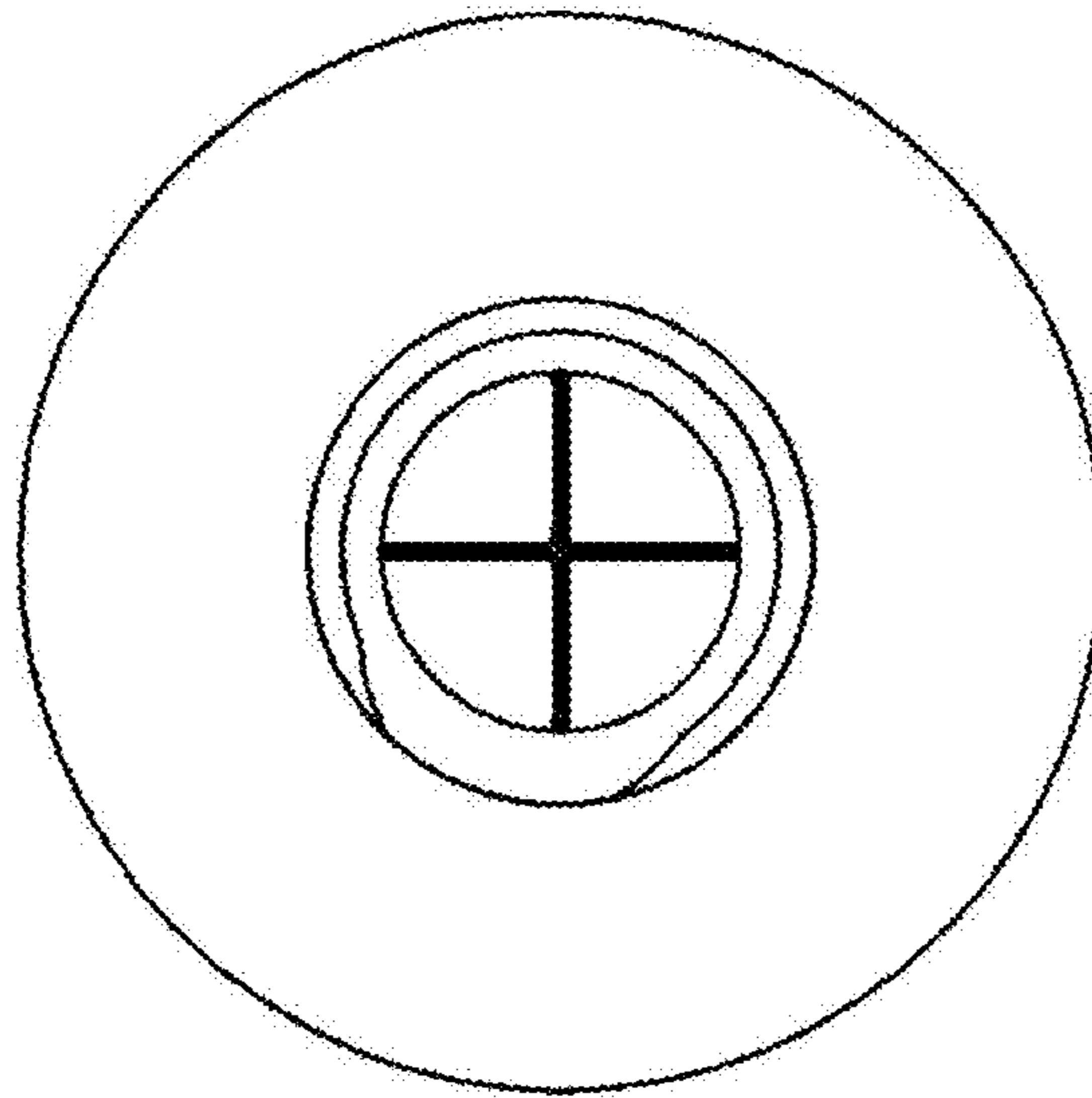


FIG. 5

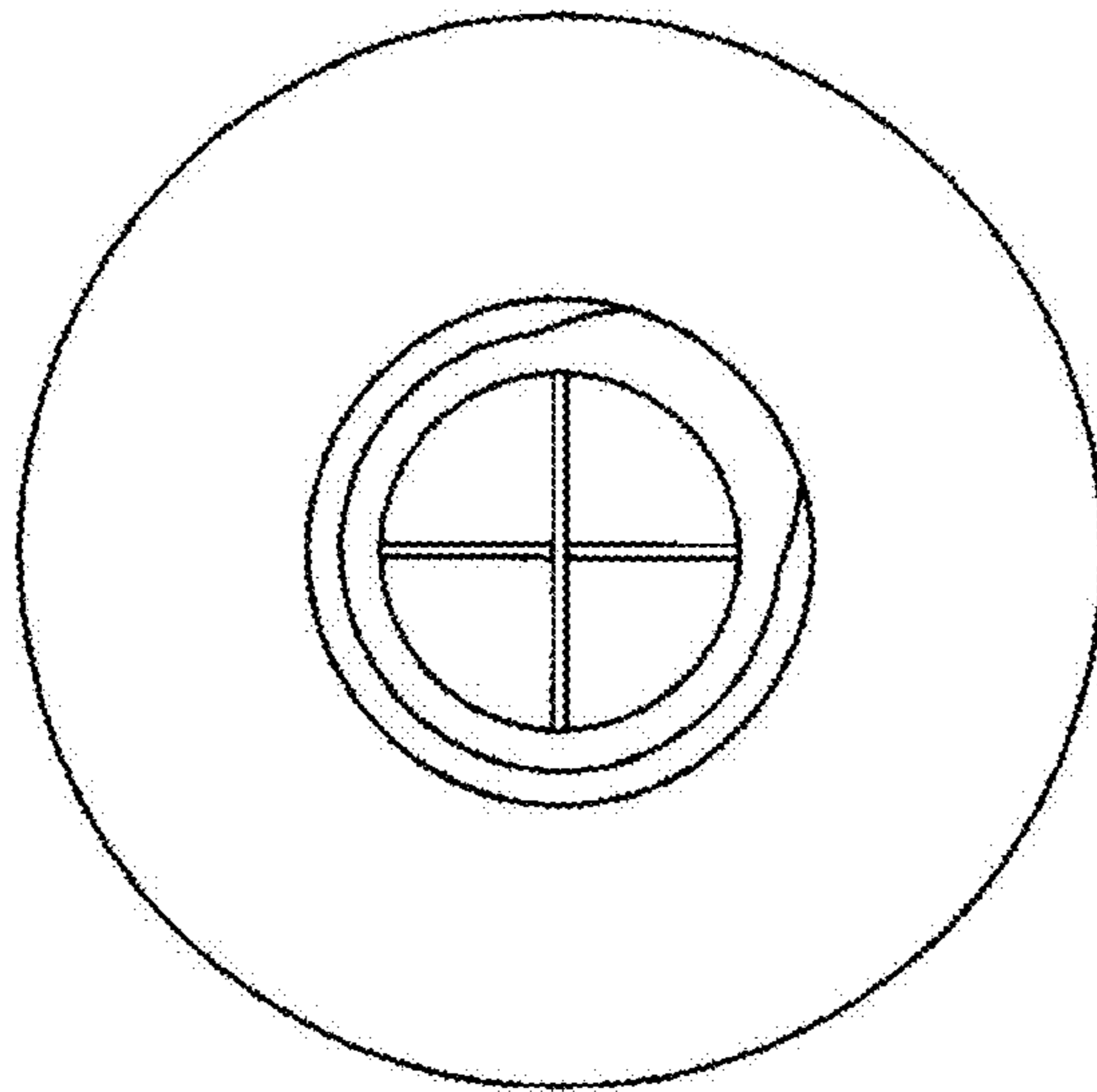


FIG. 6

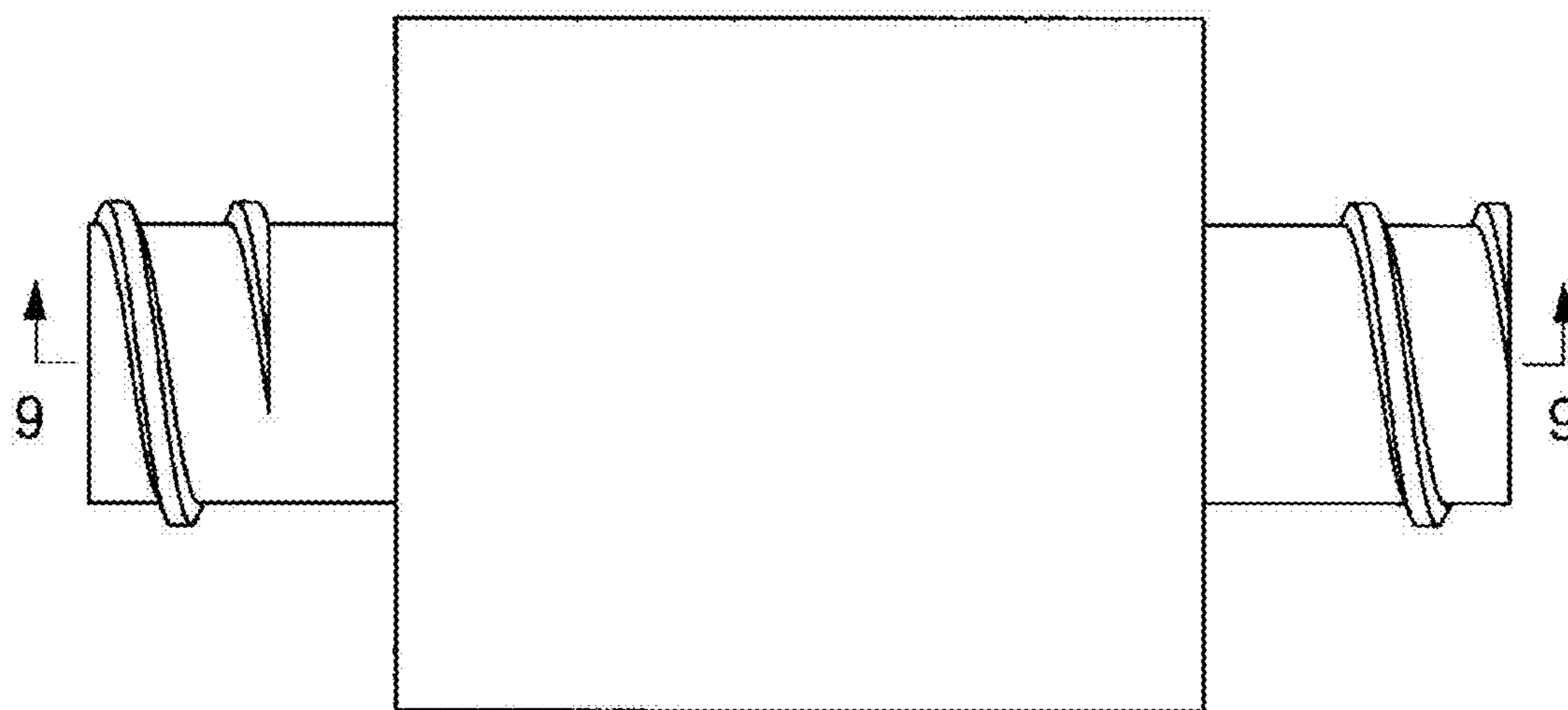


FIG. 7

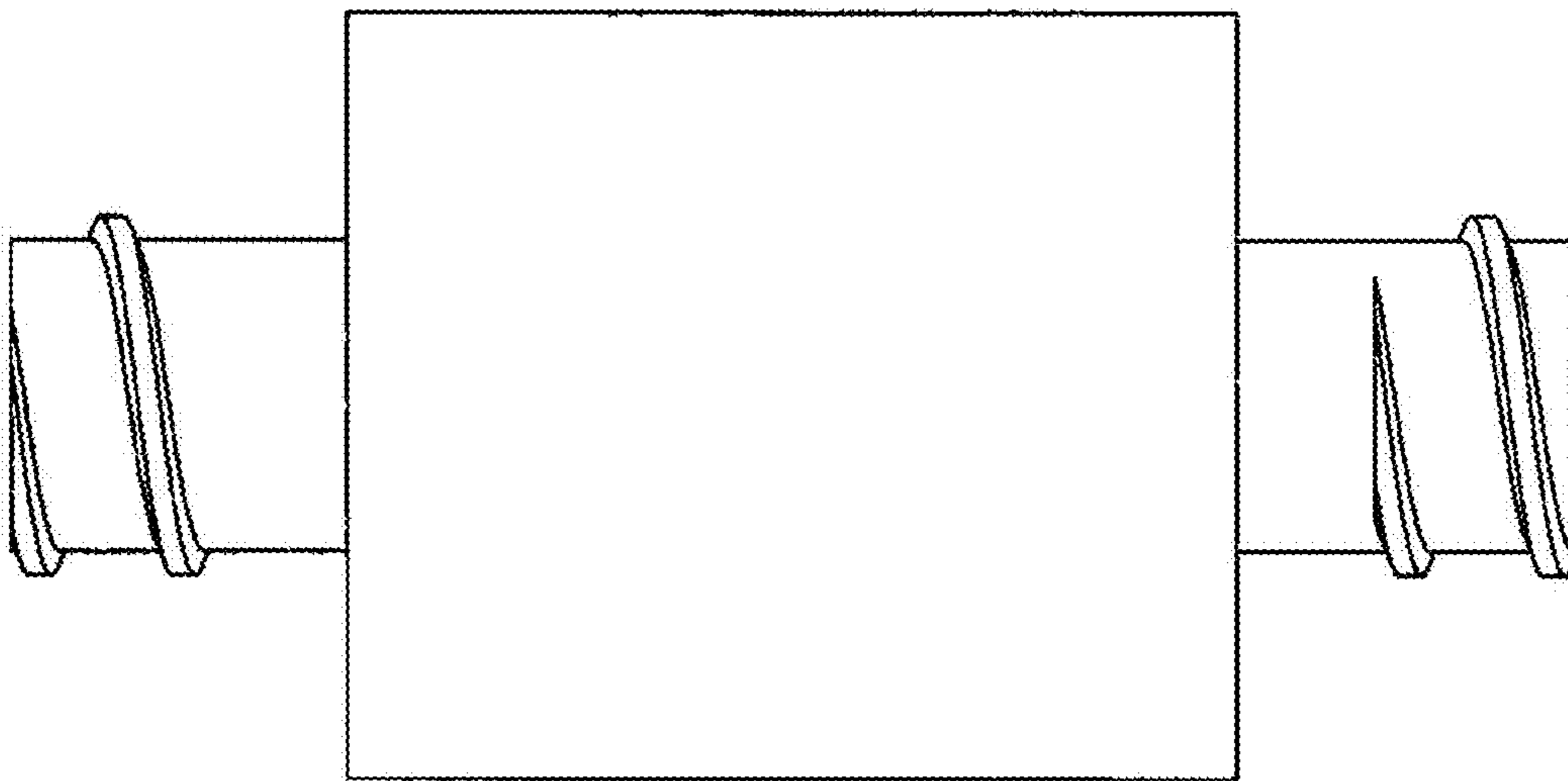


FIG. 8

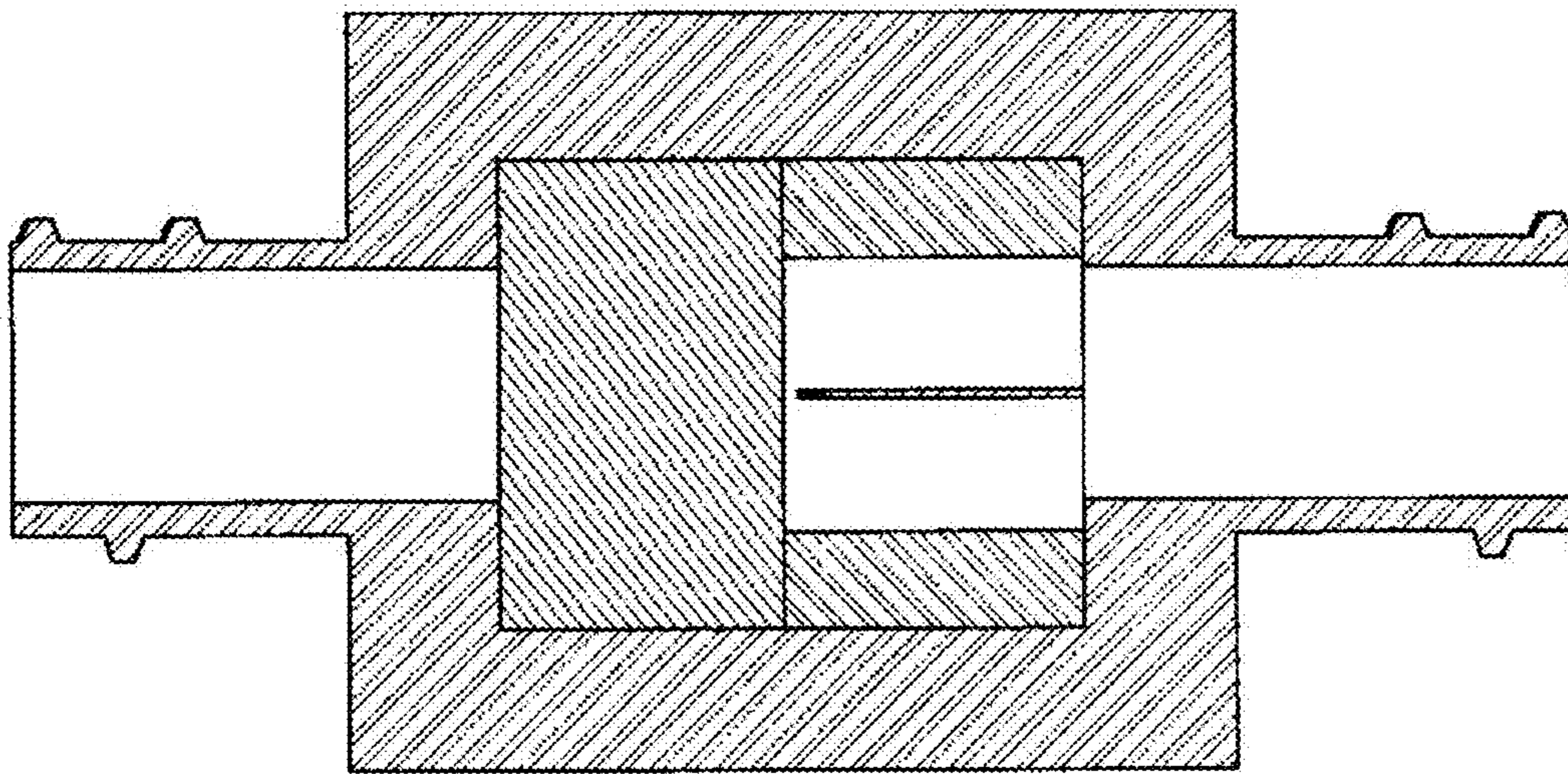


FIG 9

