



US00D884207S

(12) **United States Design Patent** (10) **Patent No.:** **US D884,207 S**
Ma (45) **Date of Patent:** **** May 12, 2020**

(54) **MESSAGE DEVICE**

(71) Applicant: **Weihong Ma**, Guangdong (CN)

(72) Inventor: **Weihong Ma**, Guangdong (CN)

(**) Term: **15 Years**

(21) Appl. No.: **29/720,145**

(22) Filed: **Jan. 10, 2020**

(51) **LOC (12) Cl.** **28-03**

(52) **U.S. Cl.**
USPC **D24/215**

(58) **Field of Classification Search**
USPC D24/200, 211, 212, 213, 214, 215;
D8/14.1

CPC A61H 1/00; A61H 7/003; A61H 7/007;
A61H 19/32; A61H 19/40; A61H 19/34;
A61H 19/50; A61H 19/00

See application file for complete search history.

(56) **References Cited**

U.S. PATENT DOCUMENTS

D684,723 S *	6/2013	Tsai	D24/133
D840,547 S *	2/2019	Harle	D24/214
D847,364 S *	4/2019	Lee	D24/215
10,314,762 B1 *	6/2019	Marton	A61H 1/008
D855,822 S	8/2019	Marton et al.		
D863,571 S *	10/2019	Yang	D24/200
D866,790 S *	11/2019	Lee	D24/215
D872,869 S *	1/2020	Lu	D24/215
D873,432 S *	1/2020	Duan	D24/214
D874,015 S *	1/2020	Marton	D24/215
D875,961 S *	2/2020	Li	D24/211
2005/0131461 A1 *	6/2005	Tucek	A61H 1/008 606/239
2014/0221887 A1 *	8/2014	Wu	A61H 15/0092 601/112
2015/0119771 A1 *	4/2015	Roberts	A61H 39/04 601/135
2016/0367425 A1 *	12/2016	Wersland	A61H 1/008
2017/0304145 A1 *	10/2017	Pepe	A61H 23/0254
2018/0200141 A1 *	7/2018	Wersland	A61H 1/008

2018/0361137 A1 *	12/2018	Kern	A46B 15/0022
2019/0175434 A1 *	6/2019	Zhang	A61H 1/008
2019/0254921 A1 *	8/2019	Marton	A61H 1/00

OTHER PUBLICATIONS

Hermesclues, "Massage Gun", Mar. 9, 2020. <https://hermesclues.en.taiwantrade.com/product/massage-gun-1752714.html>. Shown on p. 1. (Year: 2020).*

* cited by examiner

Primary Examiner — Cynthia Ramirez
Assistant Examiner — Michael A Maharajh
(74) *Attorney, Agent, or Firm* — ZANIP

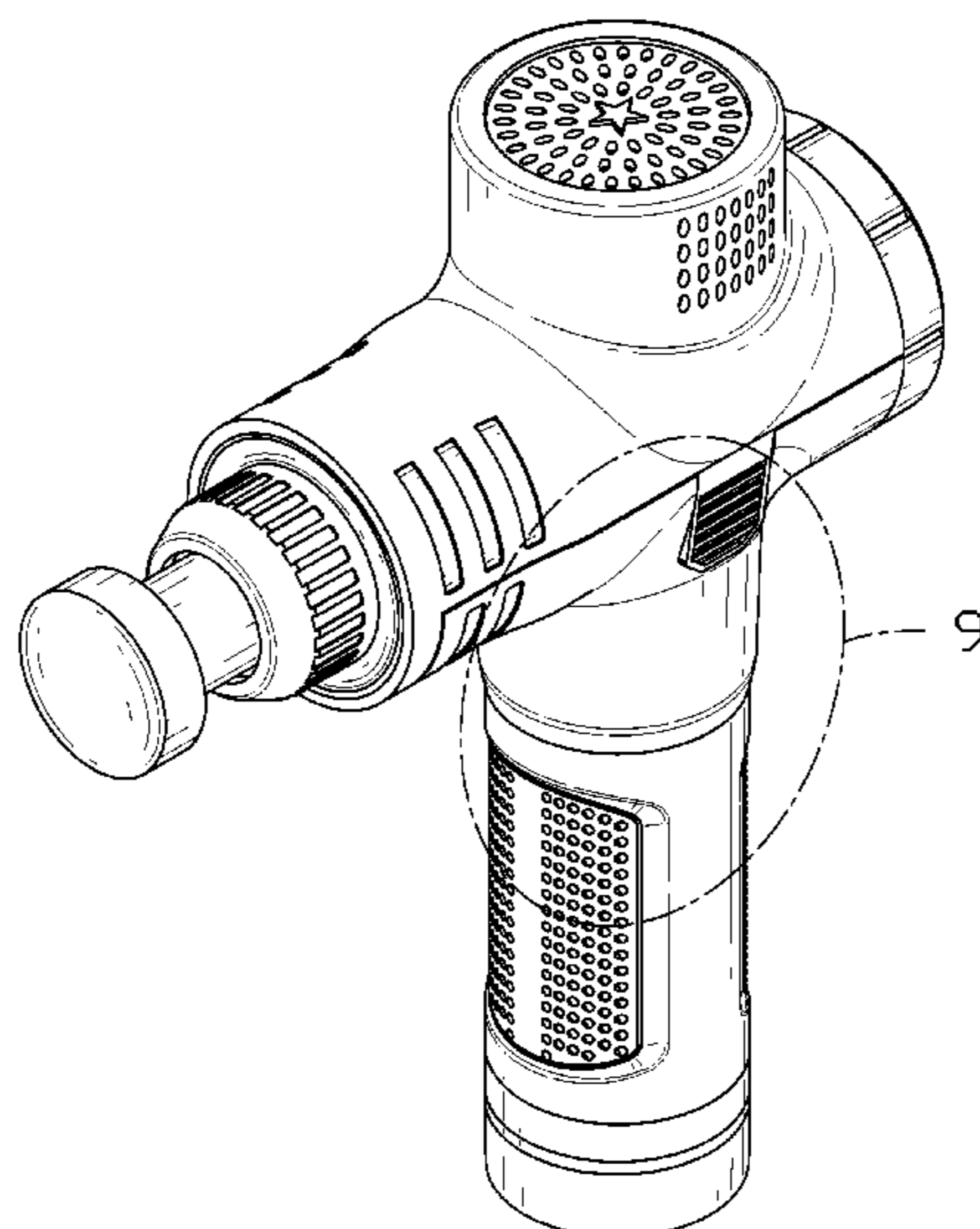
(57) **CLAIM**

The ornamental design for a massage device, as shown and described.

DESCRIPTION

FIG. 1 is a front and top perspective view of a massage device, showing my new design;
FIG. 2 is a rear and bottom perspective view thereof;
FIG. 3 is a front elevational view thereof;
FIG. 4 is a rear elevational view thereof;
FIG. 5 is a left side elevational view thereof;
FIG. 6 is a right side elevational view thereof;
FIG. 7 is a top plan view thereof;
FIG. 8 is a bottom plan view thereof; and,
FIG. 9 is an enlarged view of a portion indicated in FIG. 1. The broken lines in the, figures illustrate portions of the massage device that form no part of the claimed design. The dash dot dash lines in FIGS. 1 and 9 are for the purpose of depicting the cut line of the enlarged view and form no part of the claim.

1 Claim, 9 Drawing Sheets



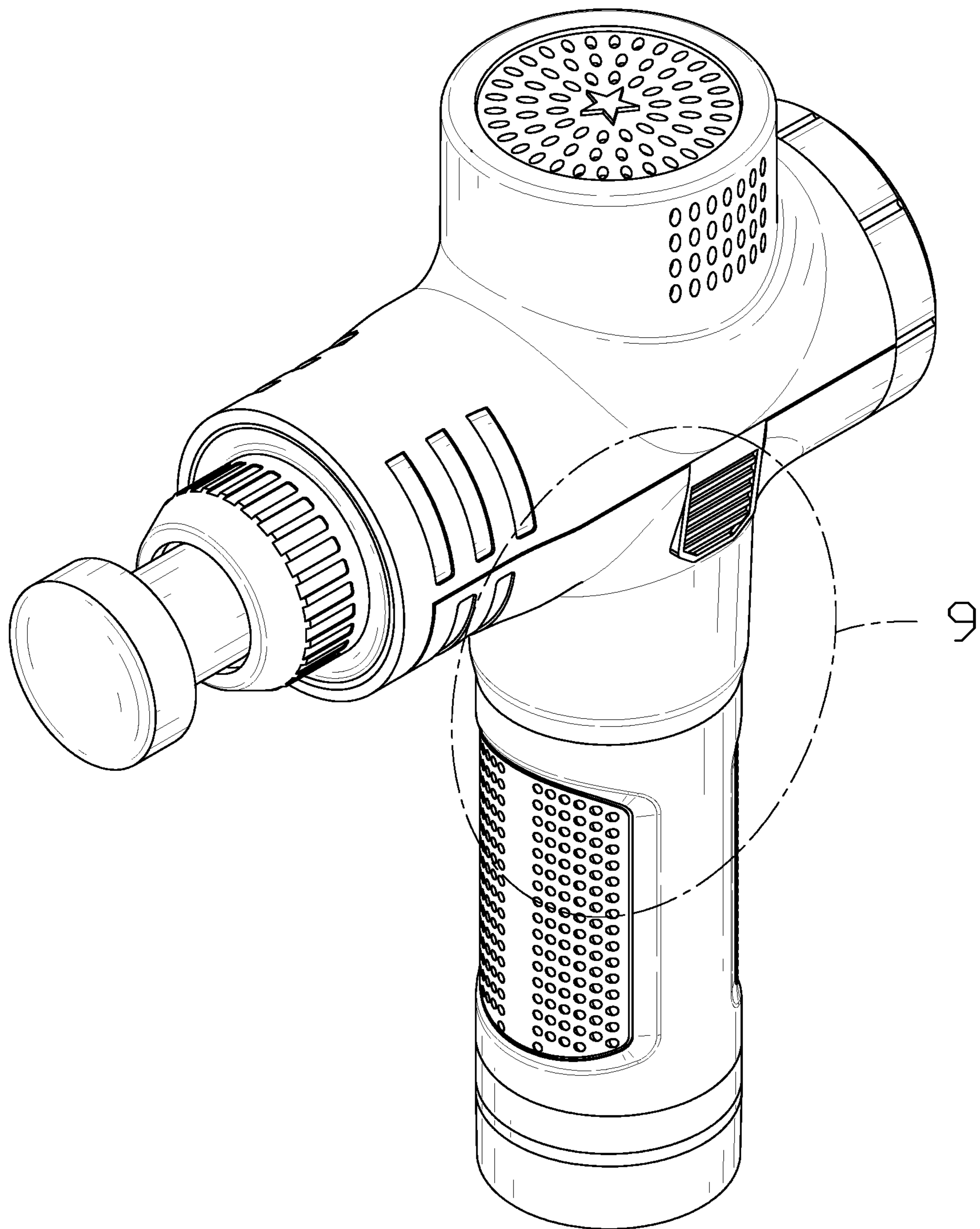


FIG. 1

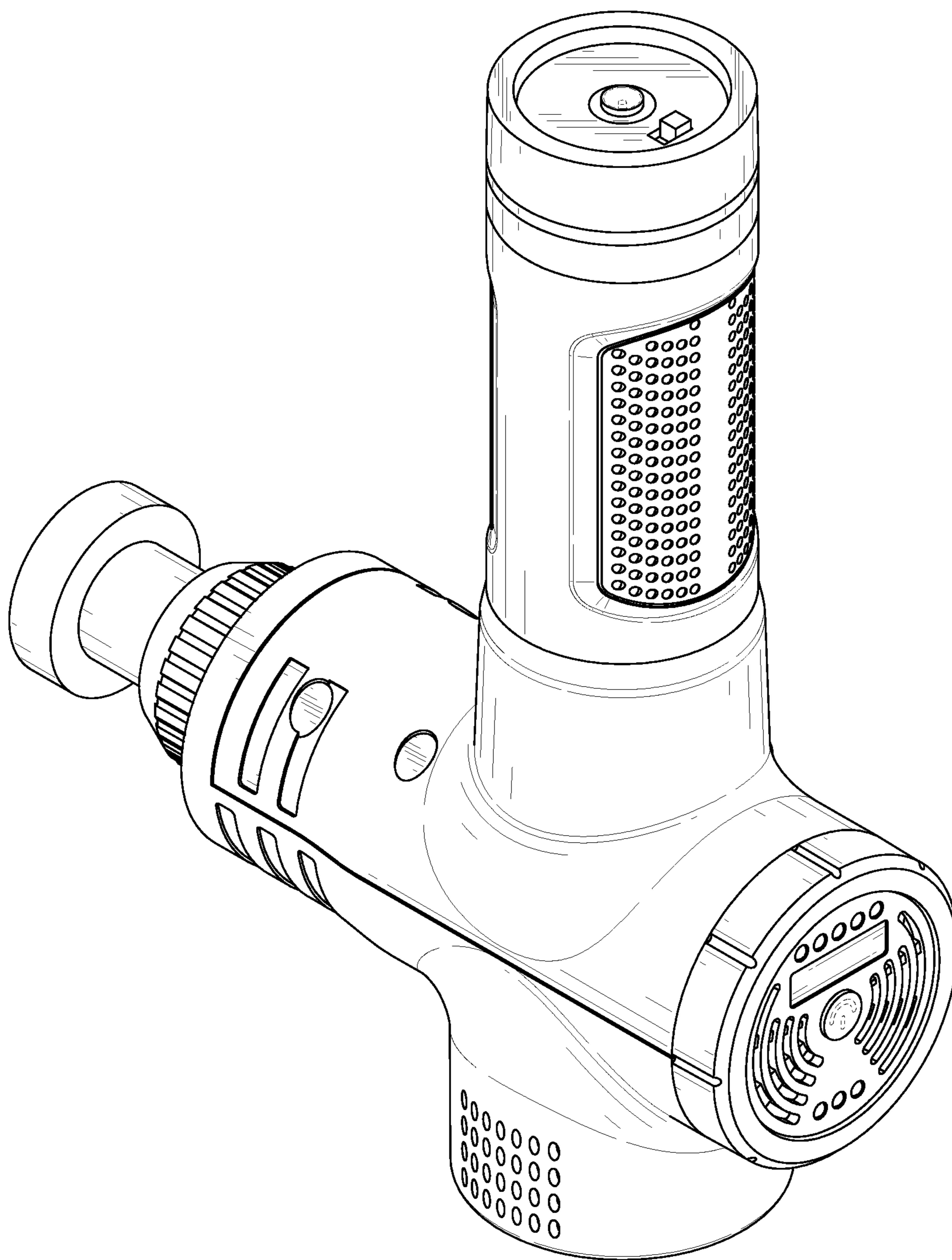


FIG. 2

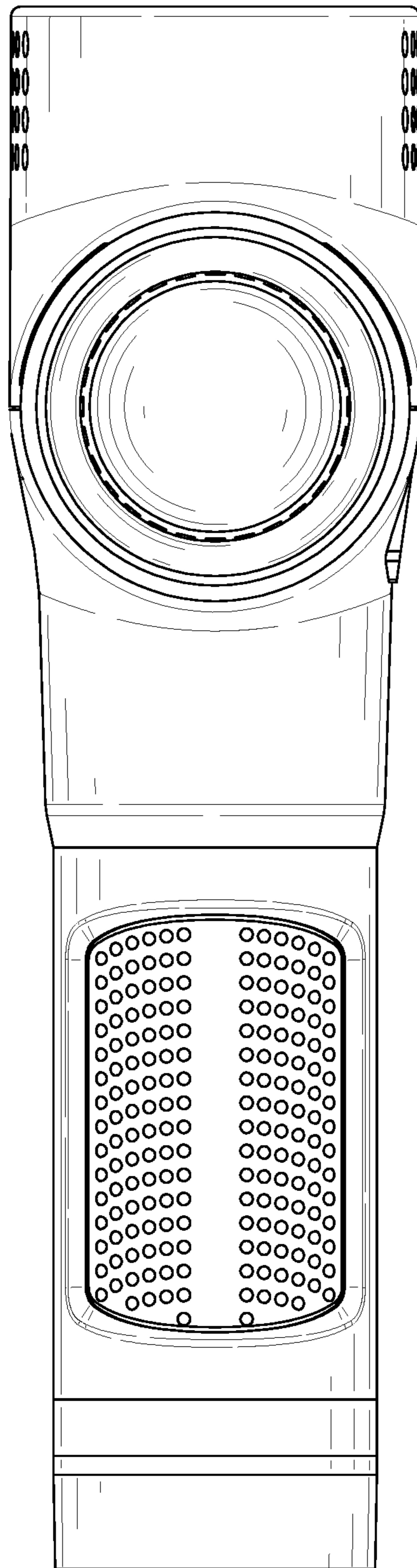


FIG. 3

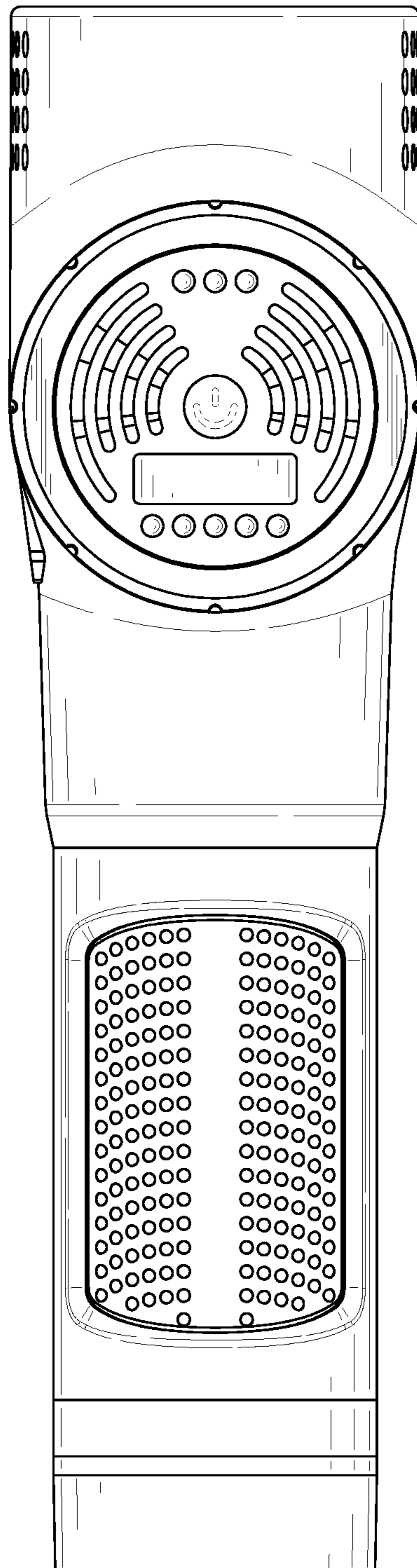


FIG. 4

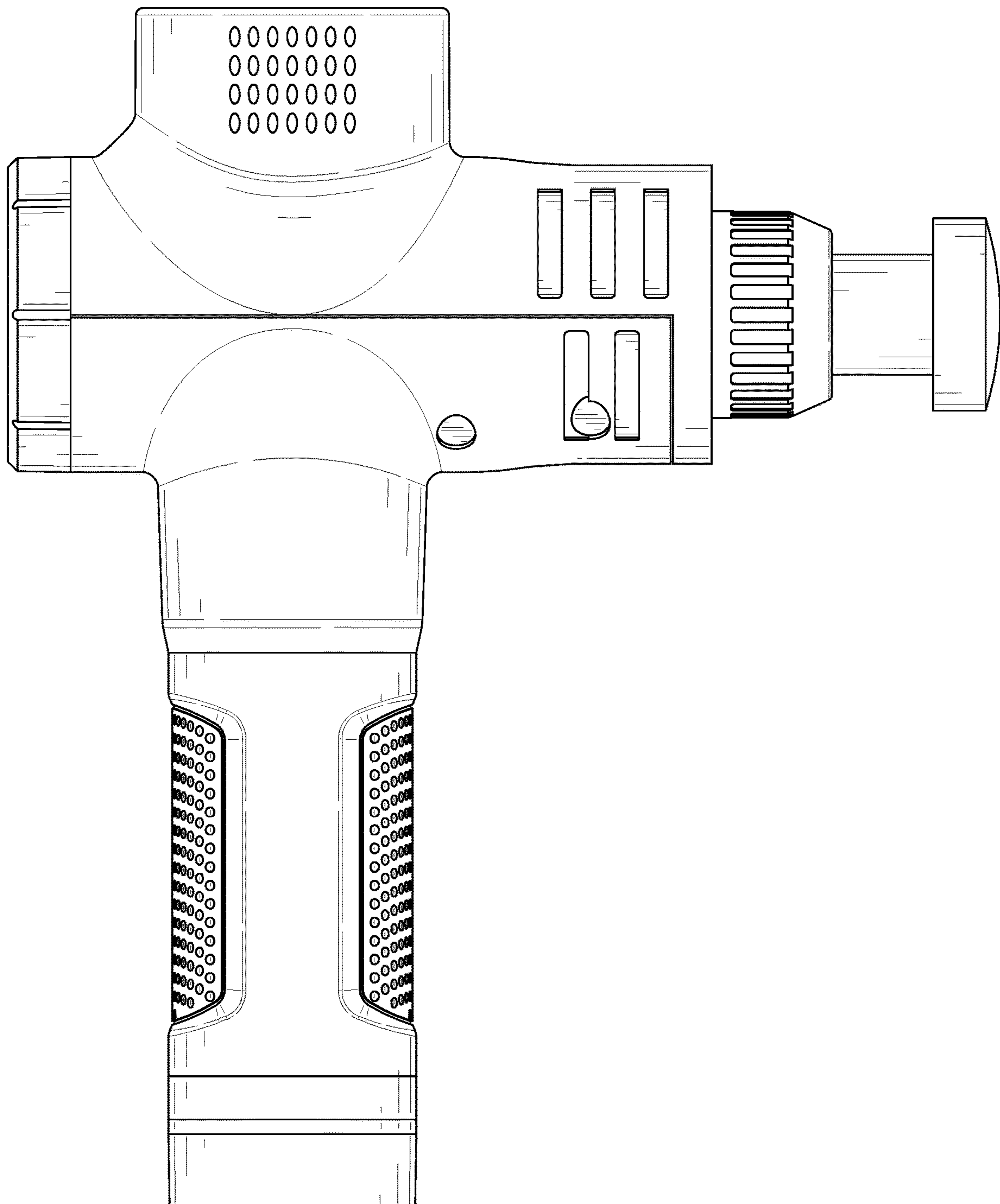


FIG. 5

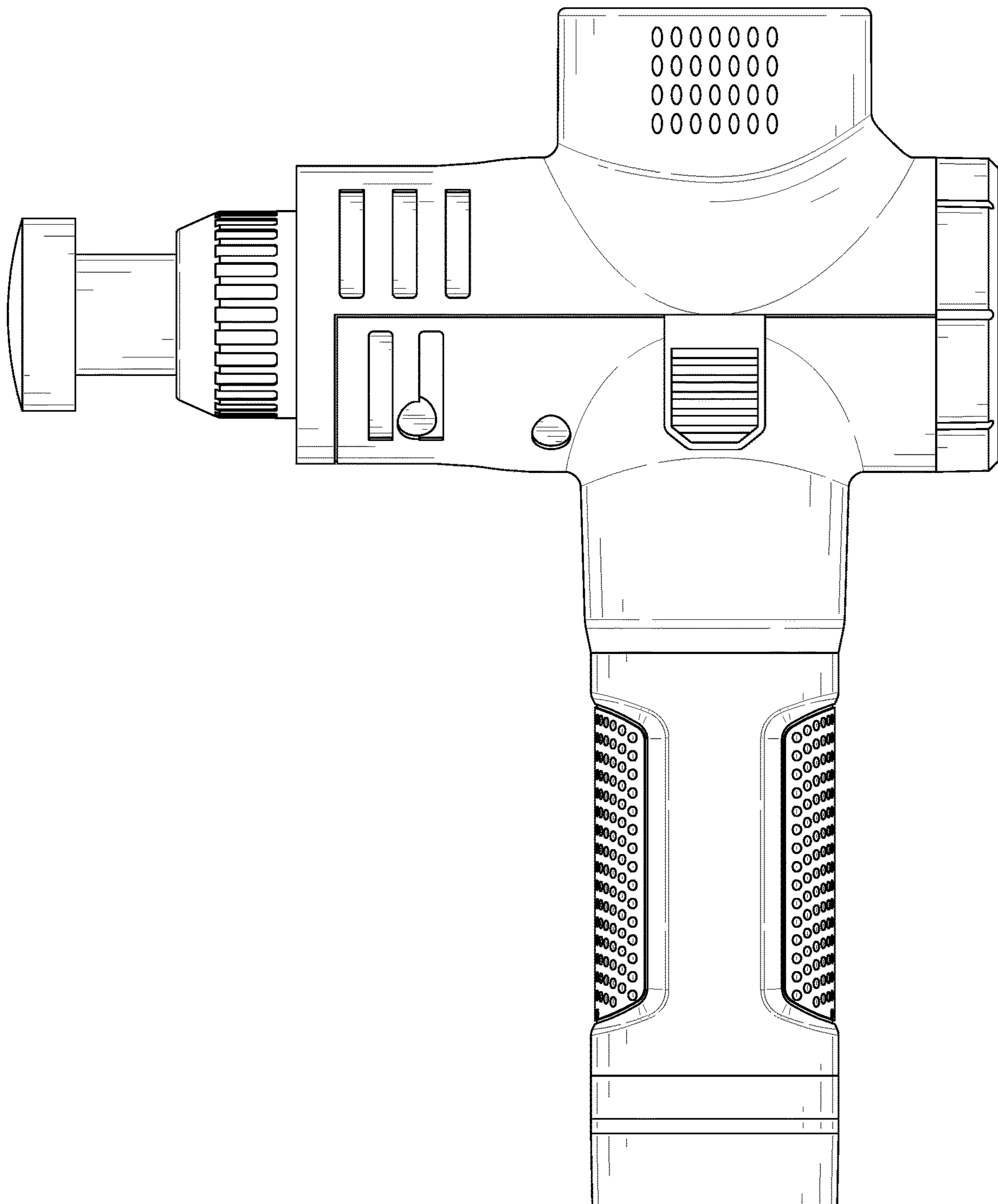


FIG. 6

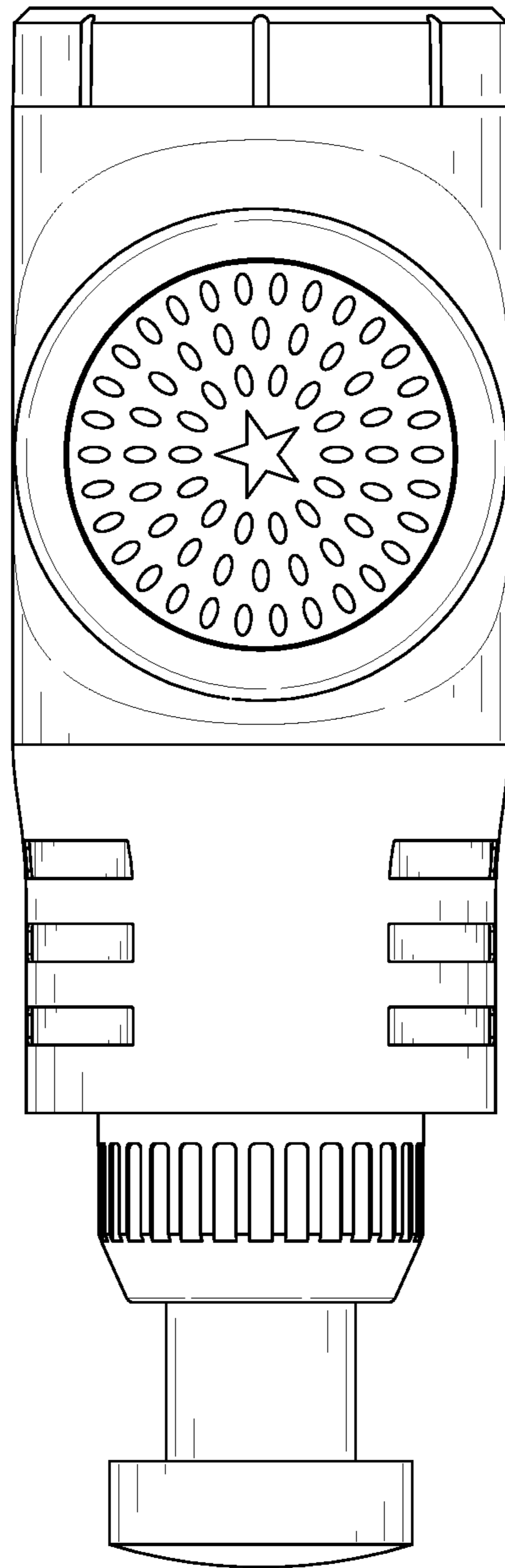


FIG. 7

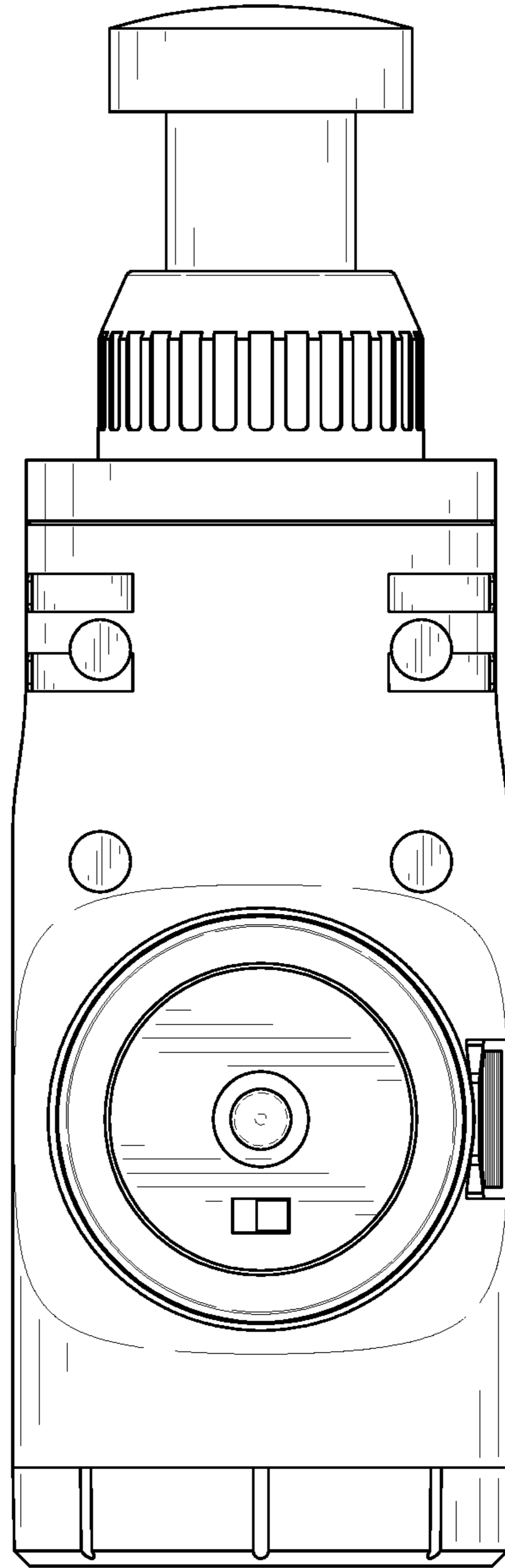


FIG. 8

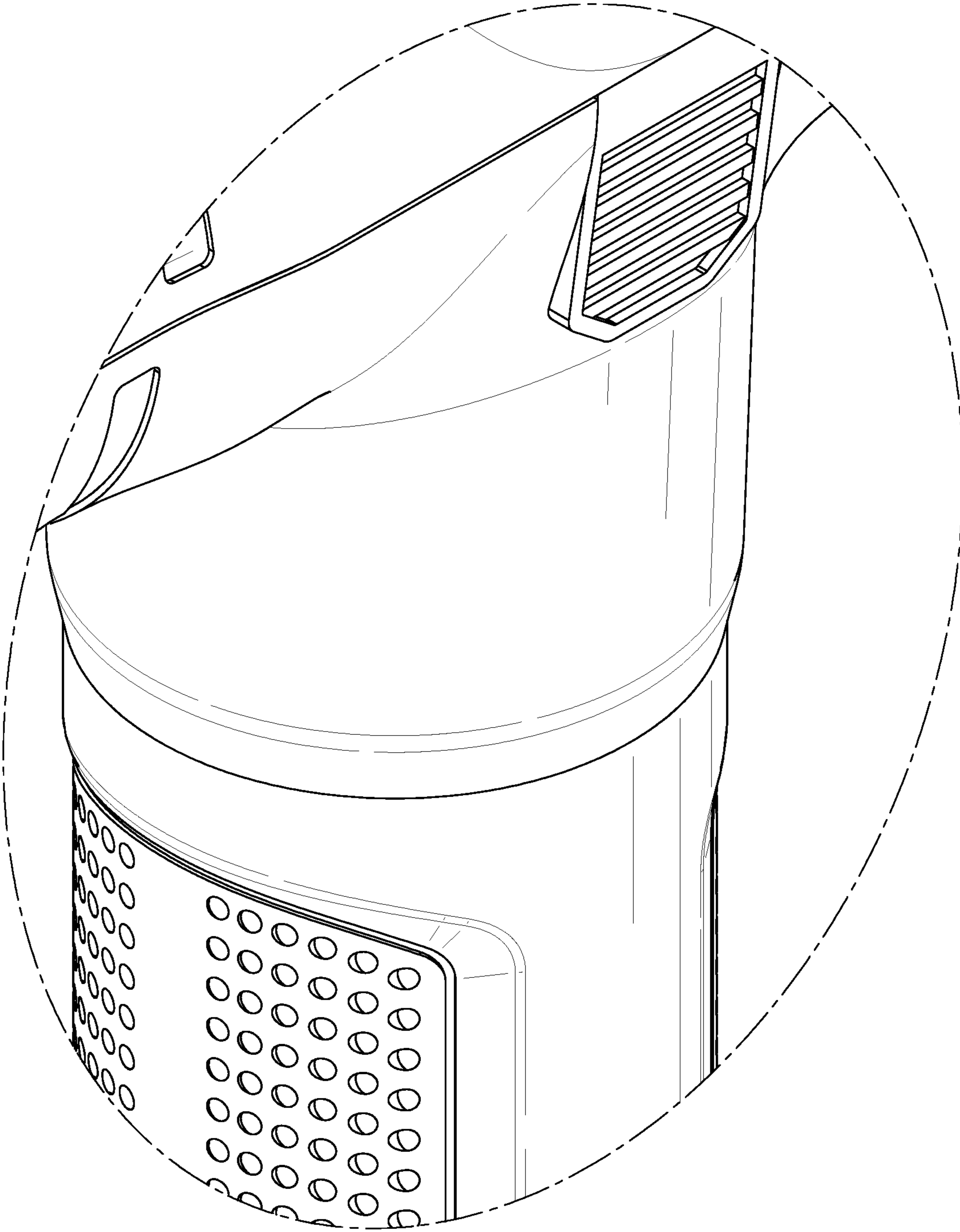


FIG. 9