



US00D884205S

(12) **United States Design Patent**
Zhuang

(10) **Patent No.:** **US D884,205 S**

(45) **Date of Patent:** **** May 12, 2020**

(54) **HAND-HELD MUSCLE FASCIA MASSAGE
IMPACT DEVICE**

(71) Applicant: **Kunxian Zhuang**, Puning (CN)

(72) Inventor: **Kunxian Zhuang**, Puning (CN)

(**) Term: **15 Years**

(21) Appl. No.: **29/674,853**

(22) Filed: **Dec. 26, 2018**

(51) **LOC (12) Cl.** **28-03**

(52) **U.S. Cl.**
USPC **D24/215**

(58) **Field of Classification Search**
USPC 601/15, 18, 19, 27, 28, 29, 30, 31, 32,
601/46, 47, 48, 52, 72, 99, 112, 113, 118,
601/135, 137, DIG. 12, DIG. 14, DIG. 15,
601/DIG. 16, DIG. 17; D24/200, 211,
D24/212, 213, 214, 215; D8/14.1;
607/85

CPC .. A61H 23/0254; A61H 1/008; A61H 23/006;
A61H 7/007

See application file for complete search history.

(56) **References Cited**

U.S. PATENT DOCUMENTS

- 1,594,636 A * 8/1926 Smith A61H 23/02
601/154
- 1,784,301 A * 12/1930 Mekler A61H 9/005
601/112
- 3,968,789 A * 7/1976 Simoncini A46B 13/04
601/95
- 4,691,693 A * 9/1987 Sato A61H 7/003
601/15
- 4,989,613 A * 2/1991 Finkenberg A61B 5/4504
600/552
- D329,291 S * 9/1992 Wollman D24/200
- D329,292 S * 9/1992 Wollman D24/200
- D331,467 S * 12/1992 Wollman D24/200
- D388,175 S * 12/1997 Lie D24/215

- 5,925,002 A * 7/1999 Wollman A61H 23/0263
601/46
- D430,938 S * 9/2000 Lee D24/214
- D448,852 S * 10/2001 Engelen D24/215
- 6,401,289 B1 * 6/2002 Herbert A61H 7/005
601/137
- D476,746 S * 7/2003 Harris D24/214

(Continued)

OTHER PUBLICATIONS

Amazon, "Massage Gun_Booster", Jan. 5, 2019. https://www.amazon.com/Massage-Gun-Muscle-Deep-Relaxation/dp/B07M69HN26/ref=cm_cr_arp_d_product_top?ie=UTF8. Shown on p. 1. (Year: 2019).*

Primary Examiner — Cynthia Ramirez

Assistant Examiner — Michael A Maharajh

(74) *Attorney, Agent, or Firm* — Law Offices of Steven W. Weinrieb

(57) **CLAIM**

The ornamental design for a hand-held muscle fascia massage impact device, as shown and described.

DESCRIPTION

FIG. 1 is a front, right side, top perspective view of the hand-held muscle fascia massage impact device showing my new design;

FIG. 2 is a rear, left side, bottom perspective view thereof;

FIG. 3 is a right side elevational view thereof;

FIG. 4 is a left side elevational view thereof;

FIG. 5 is a front elevational view thereof;

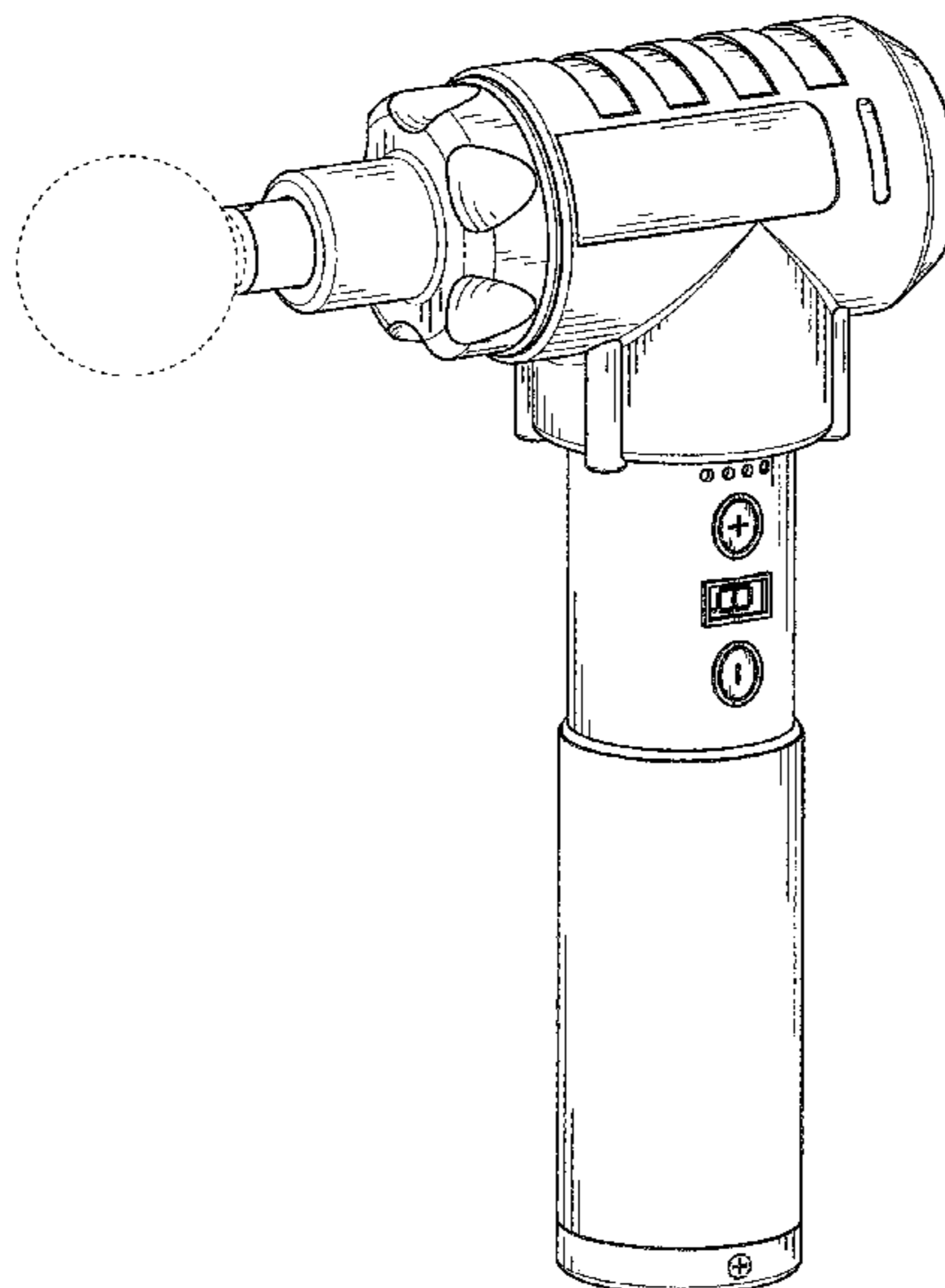
FIG. 6 is a rear elevational view thereof;

FIG. 7 is a top plan view thereof; and,

FIG. 8 is a bottom plan view thereof.

The broken lines immediately adjacent to the claimed portions are boundaries, all other broken lines are environmental structures; all the broken lines form no part of the claimed design.

1 Claim, 8 Drawing Sheets



(56)

References Cited

U.S. PATENT DOCUMENTS

D531,733 S * 11/2006 Burout, III D24/215
 D553,252 S * 10/2007 Masuda D24/214
 D606,192 S * 12/2009 Summerer D24/133
 D649,657 S * 11/2011 Petersen D24/215
 D658,759 S * 5/2012 Marescaux D24/133
 8,435,194 B2 * 5/2013 Dverin A61B 18/14
 601/112
 D703,337 S * 4/2014 Fuhr D24/200
 D706,433 S * 6/2014 Fuhr D24/200
 D708,742 S * 7/2014 Dallemagne D24/133
 D734,863 S * 7/2015 Hennessey D24/214
 D735,348 S * 7/2015 Hennessey D24/211
 D759,237 S * 6/2016 Heath D24/133
 D759,238 S * 6/2016 Heath D24/133
 D763,442 S * 8/2016 Price D24/133
 D778,439 S * 2/2017 Hakansson D24/133
 D819,221 S * 5/2018 Lei D24/200
 D823,478 S * 7/2018 Park D24/215
 D837,395 S * 1/2019 Gan D24/214
 D838,378 S * 1/2019 Cao D24/215
 D840,547 S * 2/2019 Harle D24/214
 D842,491 S * 3/2019 Fleming D24/215
 D843,656 S * 3/2019 Zhang D24/133
 D844,896 S * 4/2019 Levi D24/133
 D847,362 S * 4/2019 Tang D24/215
 D847,364 S * 4/2019 Lee D24/215

D847,990 S * 5/2019 Kimball D24/133
 10,314,762 B1 * 6/2019 Marton A61H 23/006
 10,357,425 B2 * 7/2019 Wersland
 D855,822 S * 8/2019 Marton D24/215
 2002/0188233 A1 * 12/2002 Denyes A61H 19/34
 601/46
 2005/0131461 A1 * 6/2005 Tucek A61H 1/008
 601/108
 2006/0116614 A1 * 6/2006 Jones A61H 15/0085
 601/46
 2006/0211961 A1 * 9/2006 Meyer A61H 7/005
 601/15
 2010/0145242 A1 * 6/2010 Tsai A61H 7/004
 601/135
 2010/0160841 A1 * 6/2010 Wu A61H 7/004
 601/135
 2010/0274162 A1 * 10/2010 Evans A61F 7/007
 601/15
 2014/0221887 A1 * 8/2014 Wu A61H 15/0092
 601/112
 2015/0119771 A1 * 4/2015 Roberts A61H 39/04
 601/135
 2018/0154141 A1 * 6/2018 Ahn A61H 39/08
 2018/0200141 A1 * 7/2018 Wersland A61H 1/008
 2019/0175434 A1 * 6/2019 Zhang A61H 1/008
 2019/0254921 A1 * 8/2019 Marton A61H 23/006
 2019/0254922 A1 * 8/2019 Marton A61H 23/006

* cited by examiner

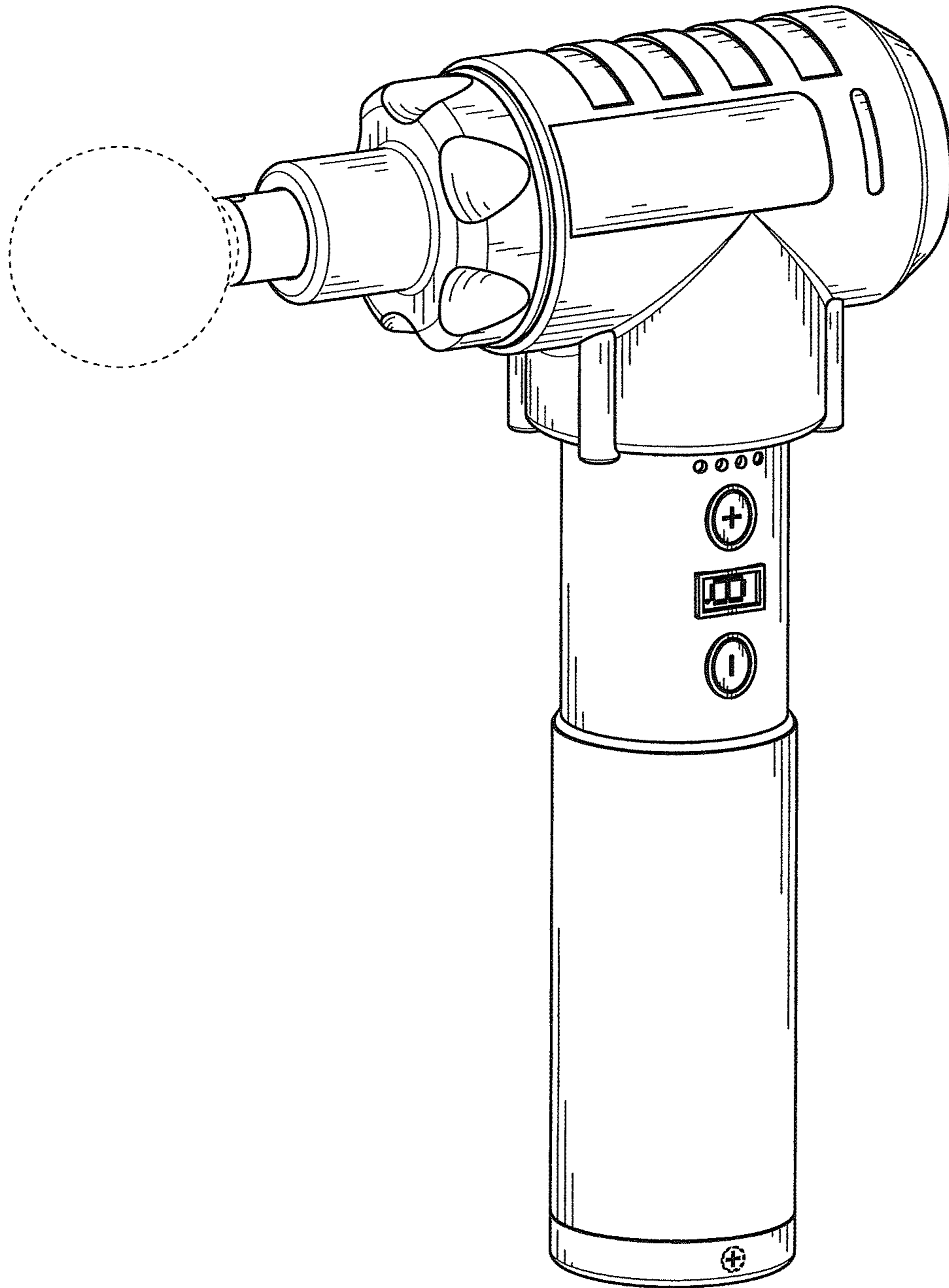


FIG. 1

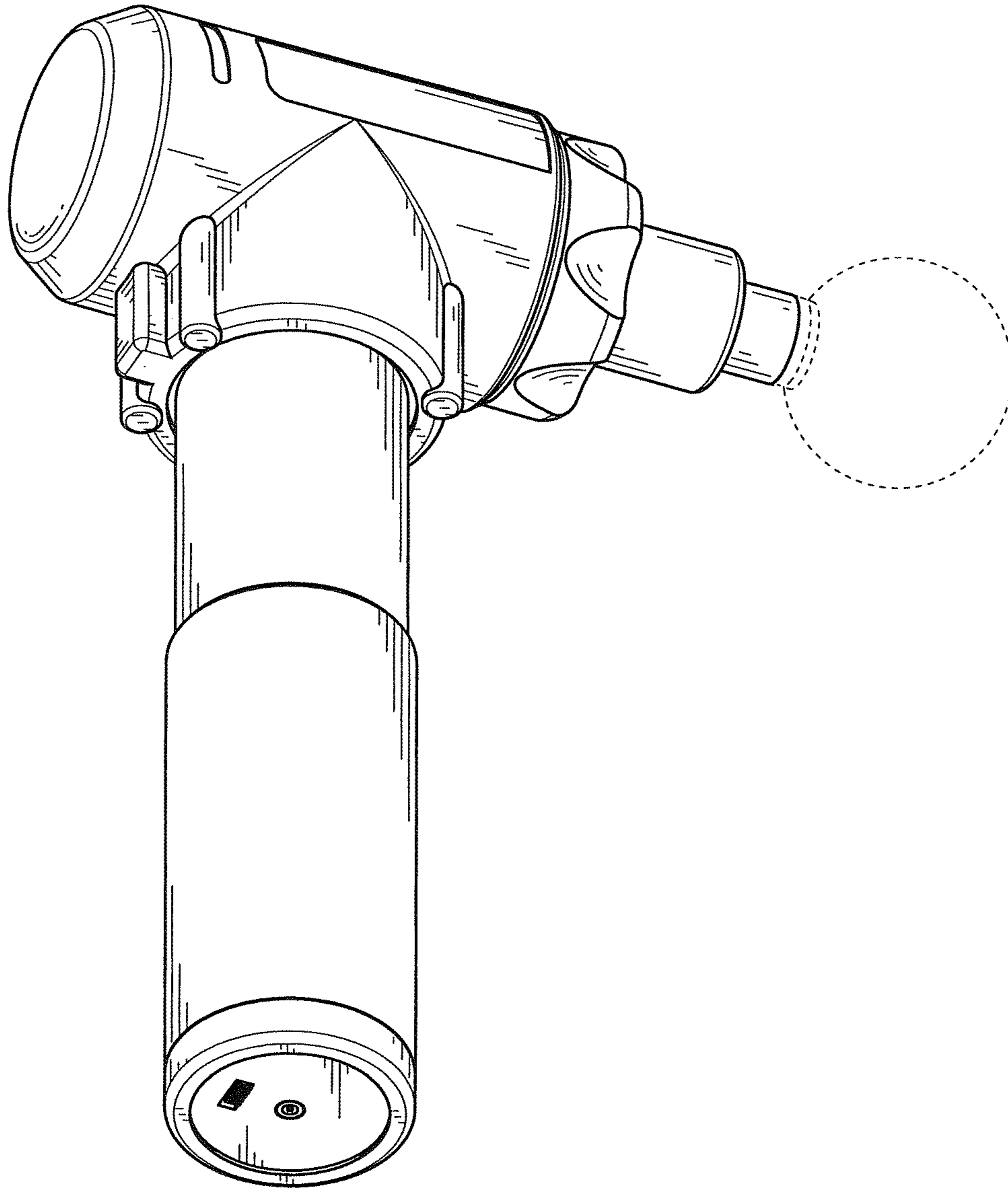


FIG. 2

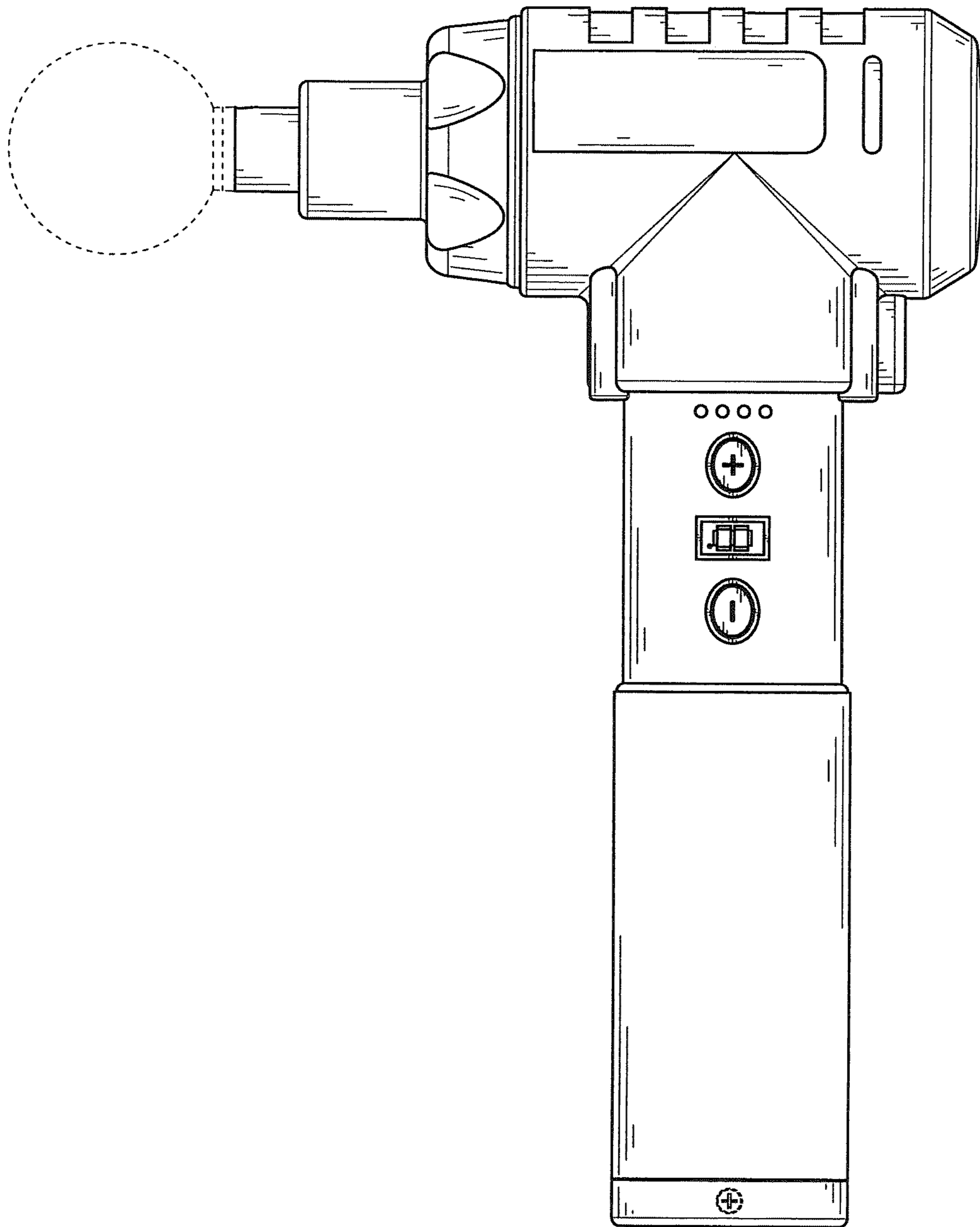


FIG. 3

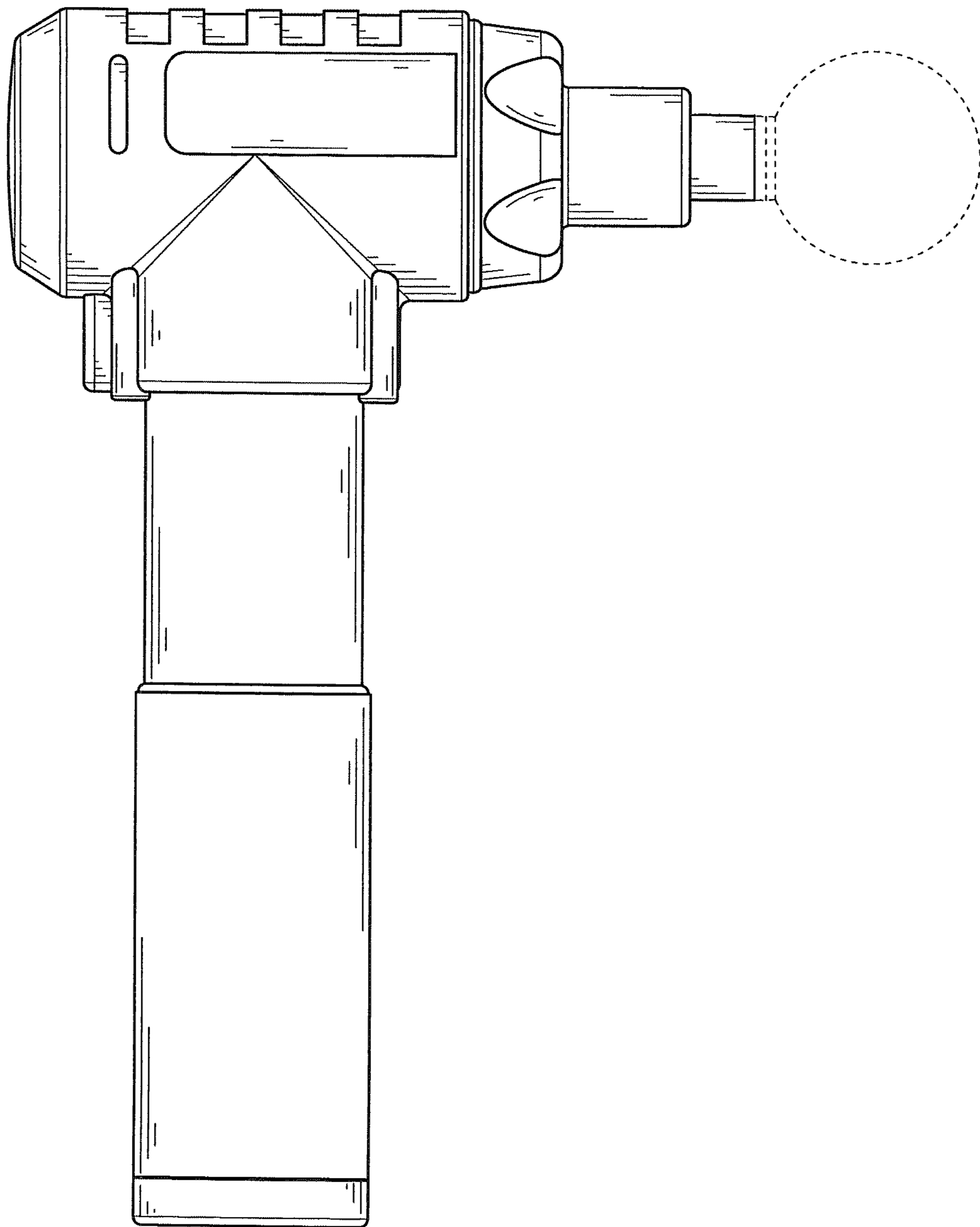


FIG. 4

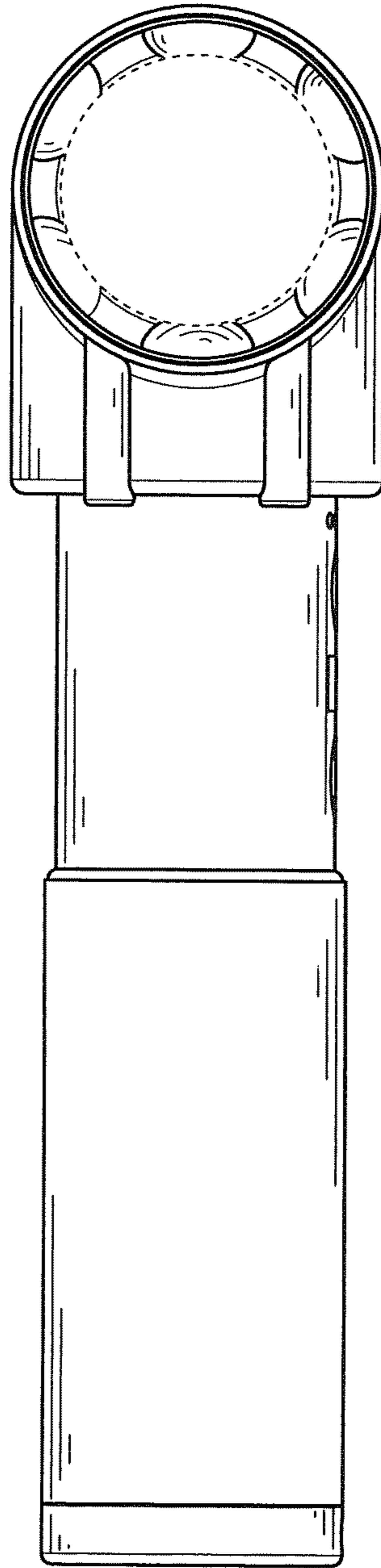


FIG. 5

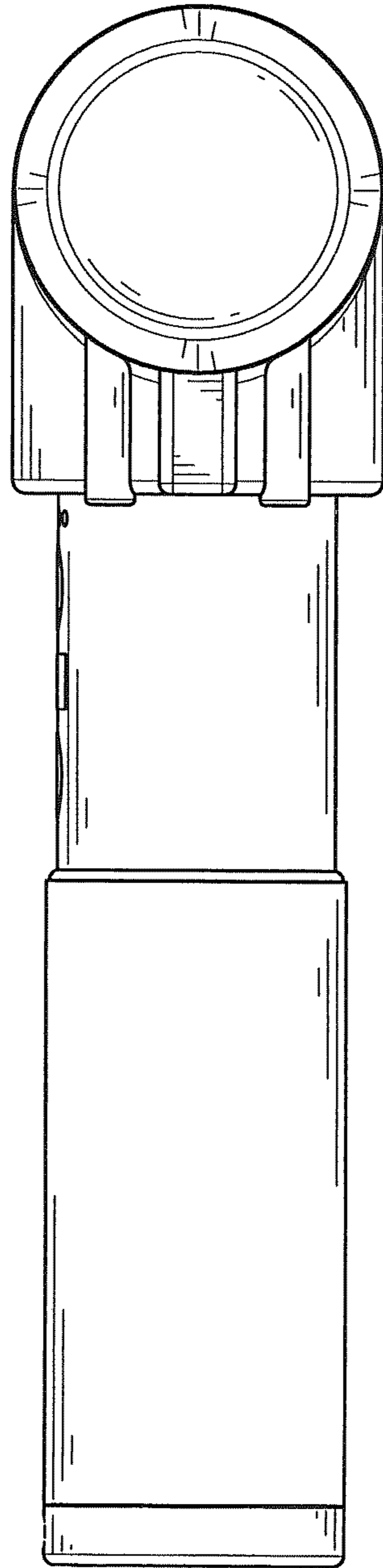


FIG. 6

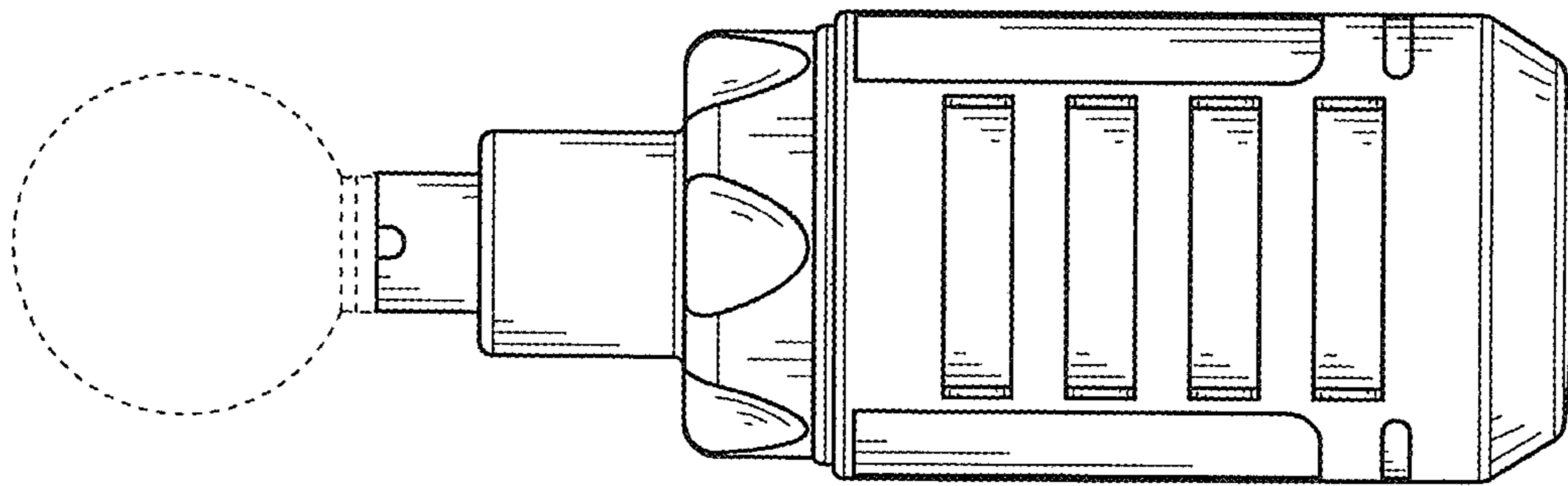


FIG. 7

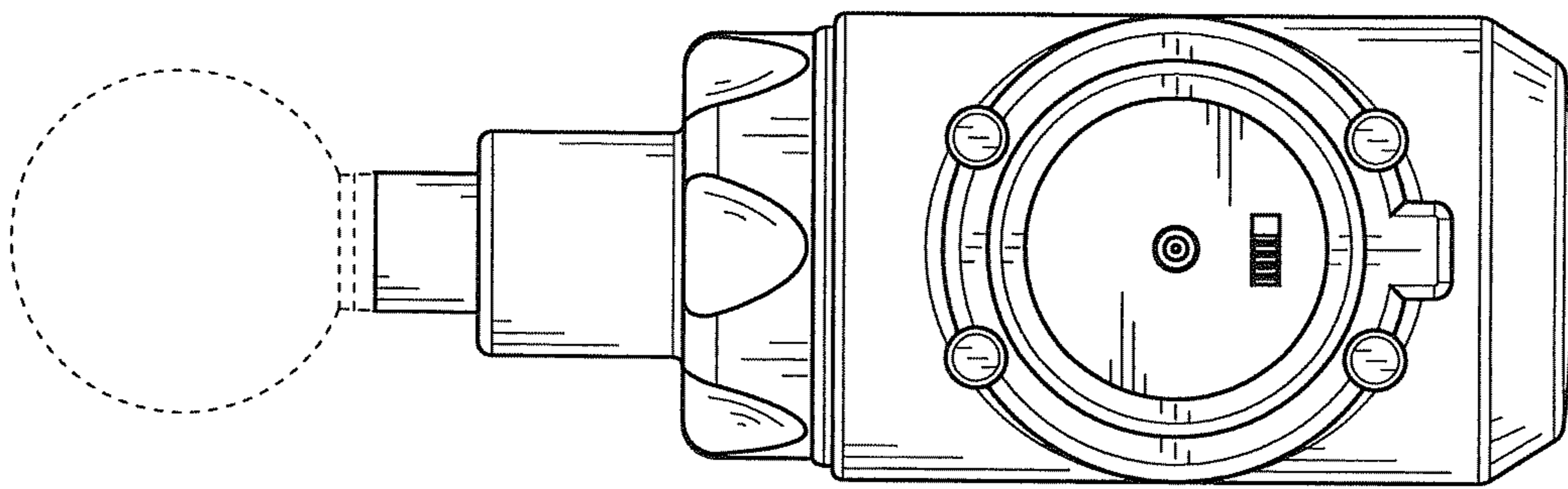


FIG. 8