



US00D884204S

(12) **United States Design Patent**
Kramer

(10) **Patent No.:** **US D884,204 S**

(45) **Date of Patent:** **** May 12, 2020**

(54) **DUAL MUSCLE ROLLER**

(71) Applicant: **Innovation Ethos, LLC**, Los Gatos, CA (US)

(72) Inventor: **Marcus Kramer**, Los Gatos, CA (US)

(73) Assignee: **INNOVATION ETHOS, LLC**, San Diego, CA (US)

(**) Term: **15 Years**

(21) Appl. No.: **29/637,087**

(22) Filed: **Feb. 13, 2018**

Related U.S. Application Data

(63) Continuation-in-part of application No. 15/245,401, filed on Aug. 24, 2016, now Pat. No. 10,039,690.

(51) **LOC (12) Cl.** **28-03**

(52) **U.S. Cl.**
USPC **D24/211; D21/662**

(58) **Field of Classification Search**

USPC ... 482/106, 51, 93, 109, 110, 139, 142, 148, 482/44, 45, 46, 141, 95, 50, 129, 127; D21/680, 798, 692, 662, 804, 686, 671, D21/691, 682, 694, 687, 654, 487, 679, D21/684, 688, 412, 685, 400, 791, 725, D21/386; D24/188, 211, 141, 215, 190, D24/200, 231, 106, 171; D30/160, 119; D6/601, 598, 604, 691.4, 597, 348, 361, D6/596, 606; 601/112, 121, 122, 46, 15, 601/19, 120, 134, 135, 131; 220/4.07, 220/4.24, 4.27, 666; D3/307, 290, 299, D3/289, 287, 254, 246, 228, 302, 300, D3/301, 276, 11; 476/256, 519, 549, 476/558, 559, 564, 118, 457, 219, 513, 476/560, 568, 409; D7/608; D9/695, D9/711
CPC A61H 15/0092; A61H 2015/0014; A61H 15/00; A61H 2201/1284; A61H 2201/1695; A61H 2201/1253; A61H

2015/0021; A61H 2205/081; A61H 2015/0042; A63B 23/14; A63B 2023/006; A63B 21/4035; A63B 43/00

See application file for complete search history.

(56) **References Cited**

U.S. PATENT DOCUMENTS

D287,054 S *	12/1986	Heaton	D24/143
D340,113 S *	10/1993	Knoblauch	D24/143
D378,134 S *	2/1997	Kuan	D24/200
5,643,182 A *	7/1997	Engel	A61H 15/0092
				601/119
5,730,708 A *	3/1998	Spratt	A61H 7/003
				601/118
D401,346 S *	11/1998	Yoshida	D24/200

(Continued)

OTHER PUBLICATIONS

Double up roller by double up roller dated no date given. Found online [Mar. 16, 2020] <https://doubleuproller.com/>.*

Primary Examiner — Ryan Harvey

(74) *Attorney, Agent, or Firm* — Manuel de la Cerra

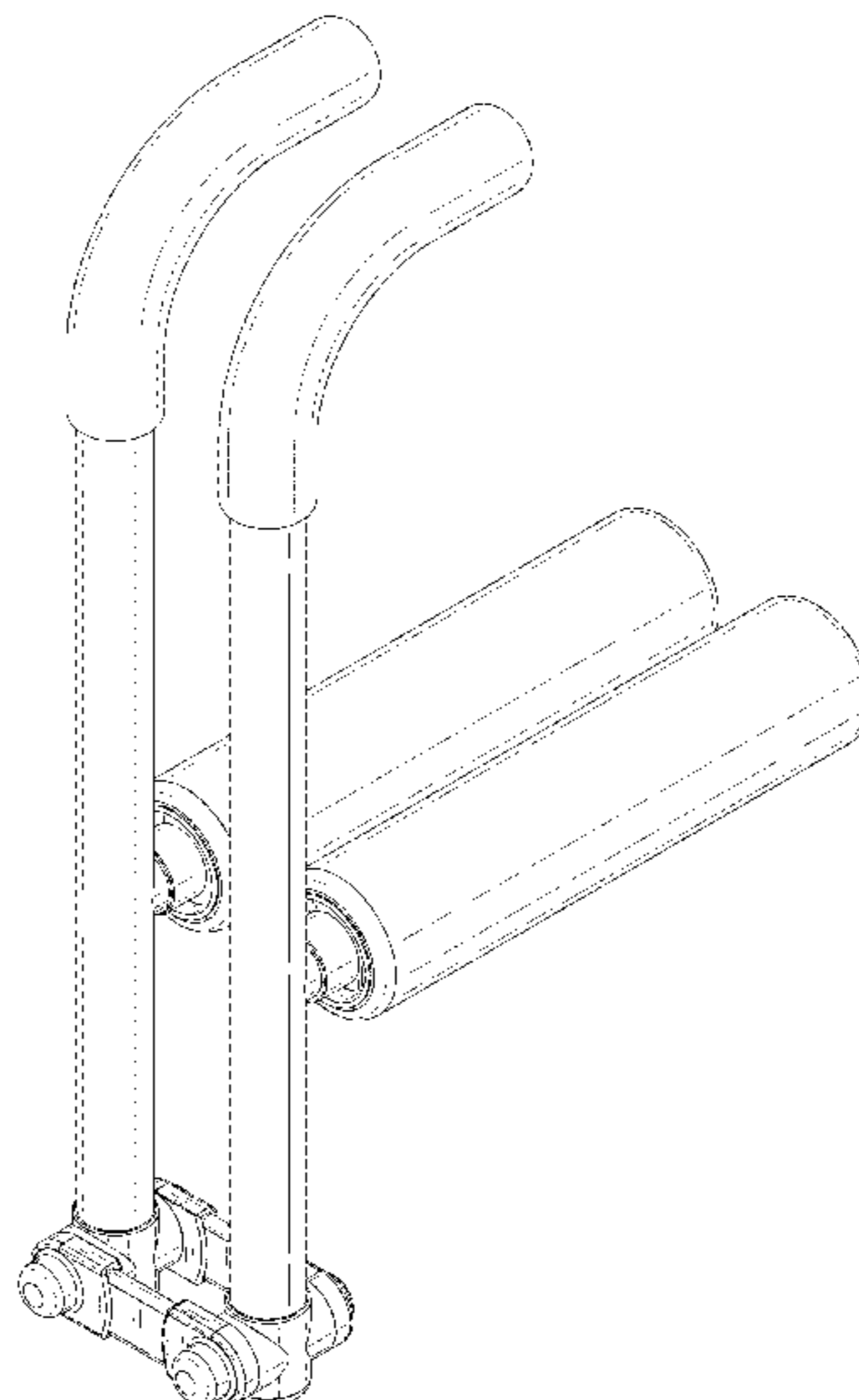
(57) **CLAIM**

The ornamental design for a dual muscle roller, as shown and described.

DESCRIPTION

FIG. 1 is a top front perspective view of a dual muscle roller. FIG. 2 is a top rear perspective view thereof. FIG. 3 is a bottom front perspective view thereof. FIG. 4 is a front view thereof. FIG. 5 is a rear view thereof. FIG. 6 is a right-side view thereof (the left-side view is a mirror image thereof). FIG. 7 is a top view thereof; and, FIG. 8 is a bottom view thereof.

1 Claim, 6 Drawing Sheets



(56)

References Cited

U.S. PATENT DOCUMENTS

6,033,372 A * 3/2000 Tarbet A61H 15/0092
601/123
D452,572 S * 12/2001 Nakamura D24/200
D688,380 S * 8/2013 Nelson D24/211
9,616,267 B2 * 4/2017 Sassano A63B 21/02
9,622,937 B2 * 4/2017 Nelson A61H 15/0092
D802,155 S * 11/2017 Cross D24/211
D833,634 S * 11/2018 Kramer D24/211
D844,802 S * 4/2019 Reyes D24/215
D855,820 S * 8/2019 Harashima D24/215
10,391,020 B2 * 8/2019 Bymers A61H 15/00
D870,907 S * 12/2019 Cheng D24/211
2011/0137218 A1 * 6/2011 Collins A61H 15/00
601/118
2013/0123078 A1 * 5/2013 Marji A61H 15/00
482/139
2017/0056284 A1 * 3/2017 Kramer A61H 15/0092
2017/0258671 A1 * 9/2017 Turner A61H 7/008

* cited by examiner

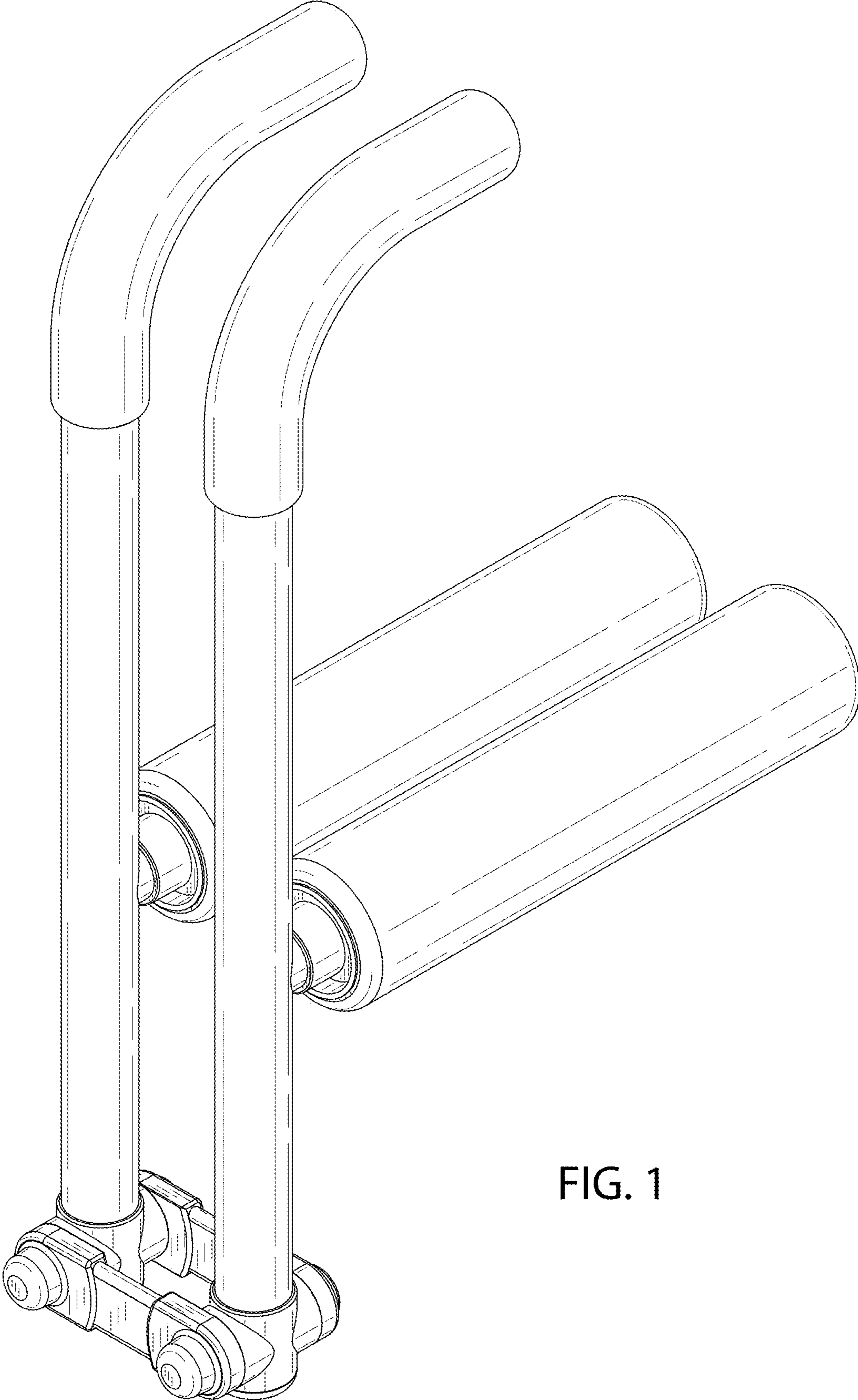


FIG. 1

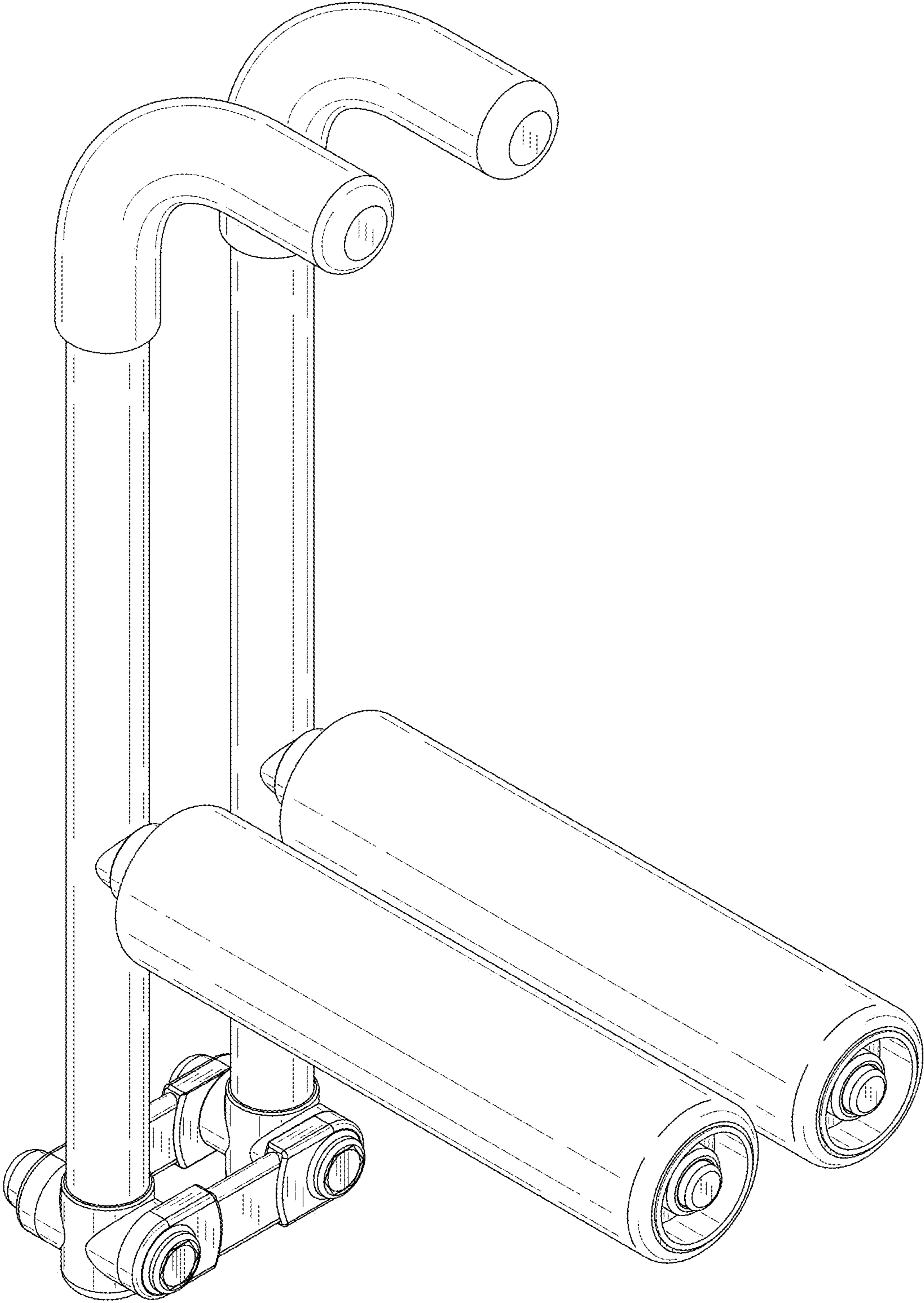


FIG. 2

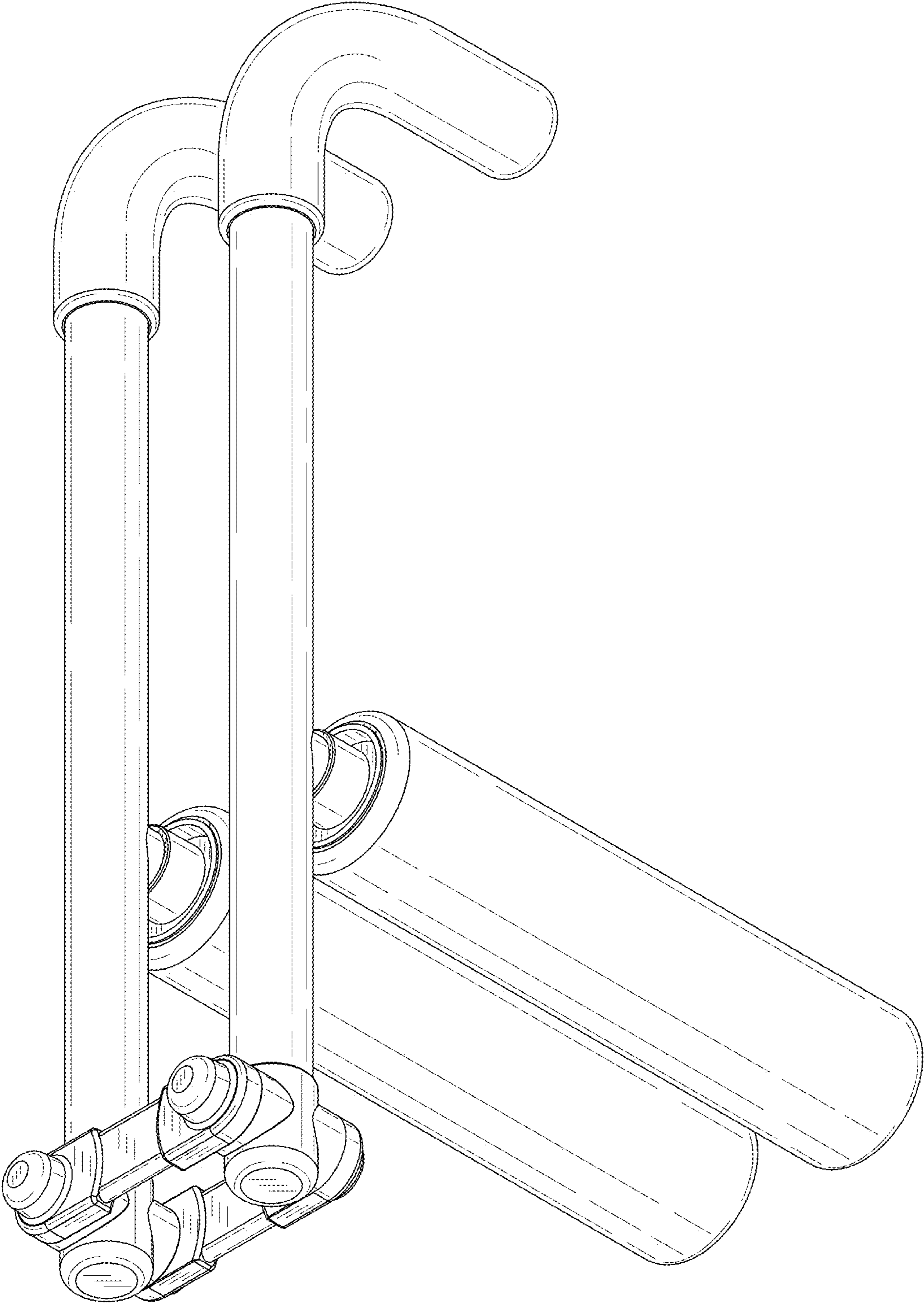


FIG. 3

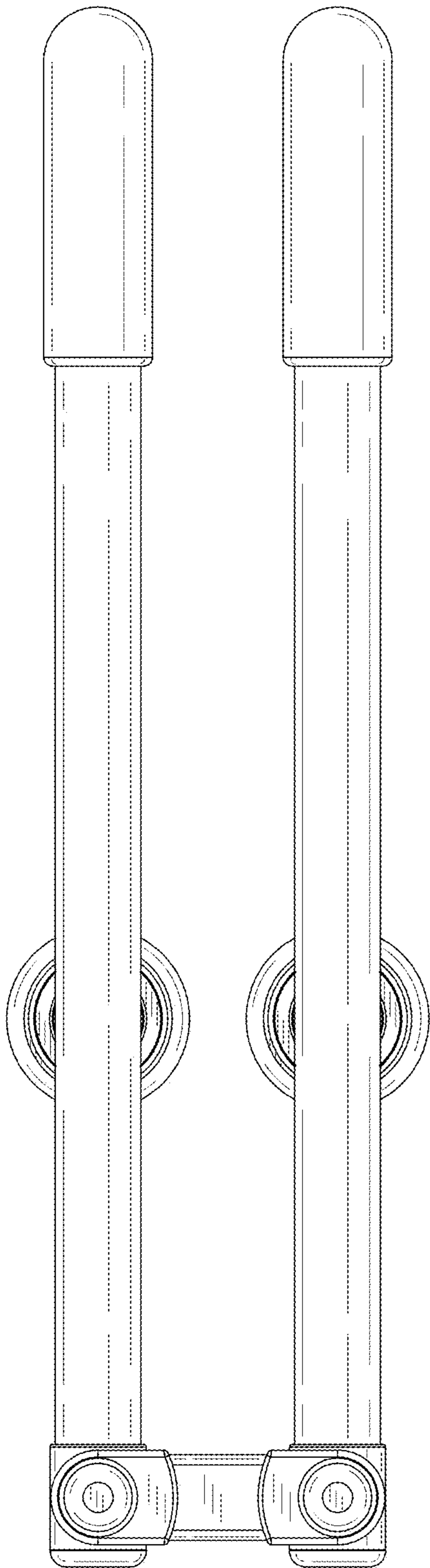


FIG. 4

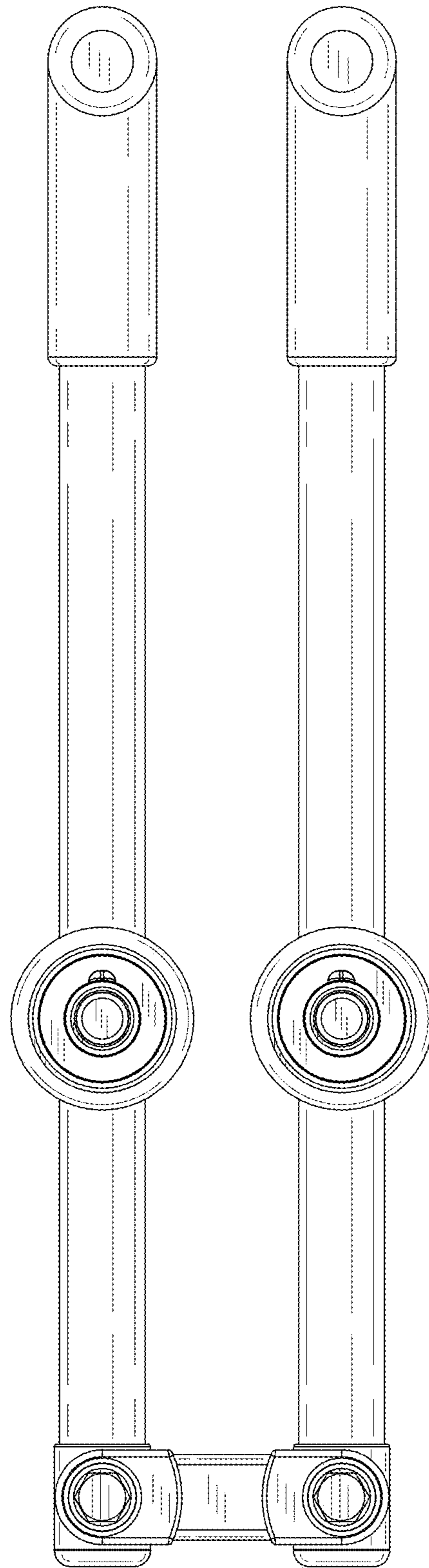


FIG. 5

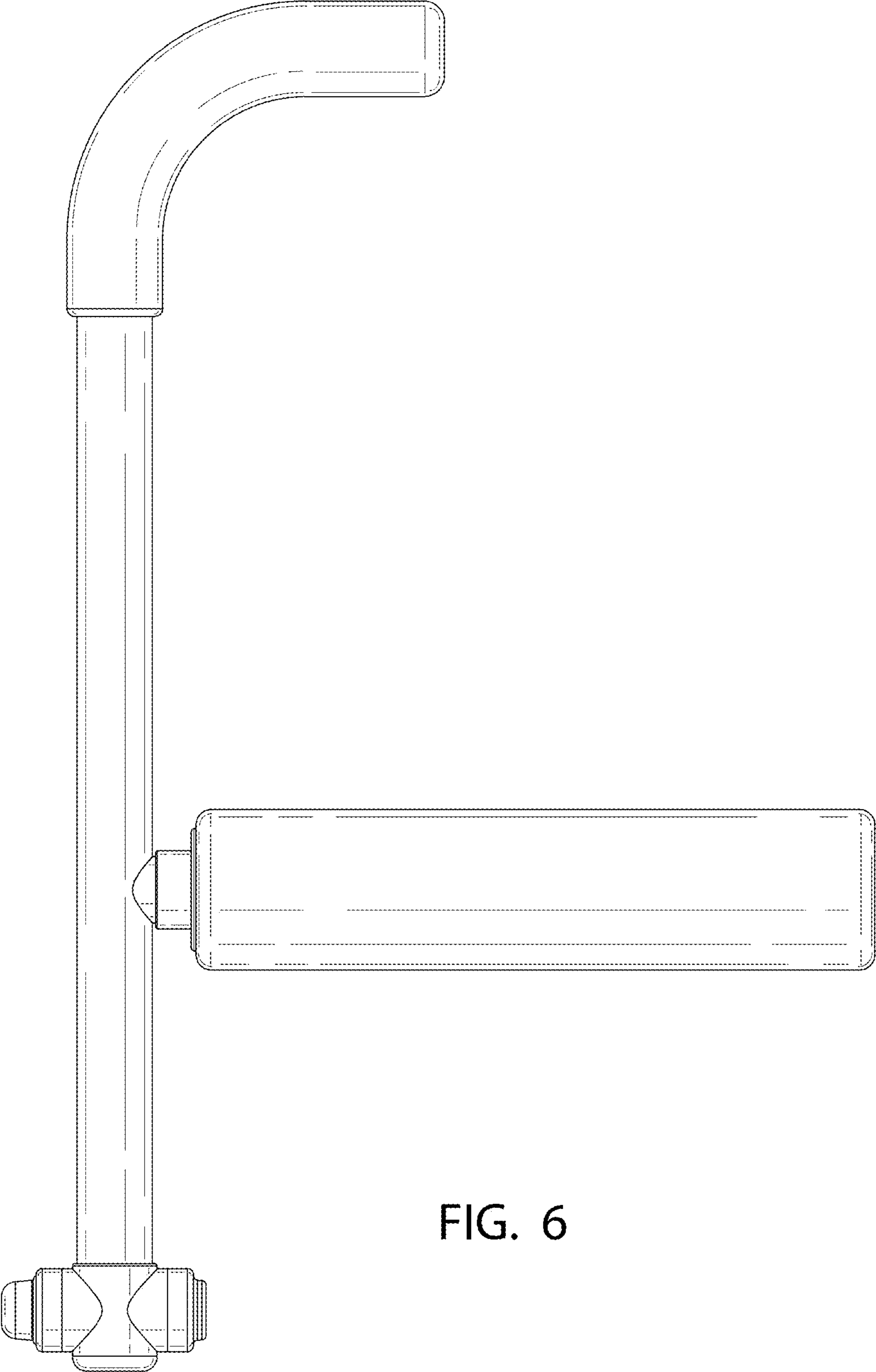


FIG. 6

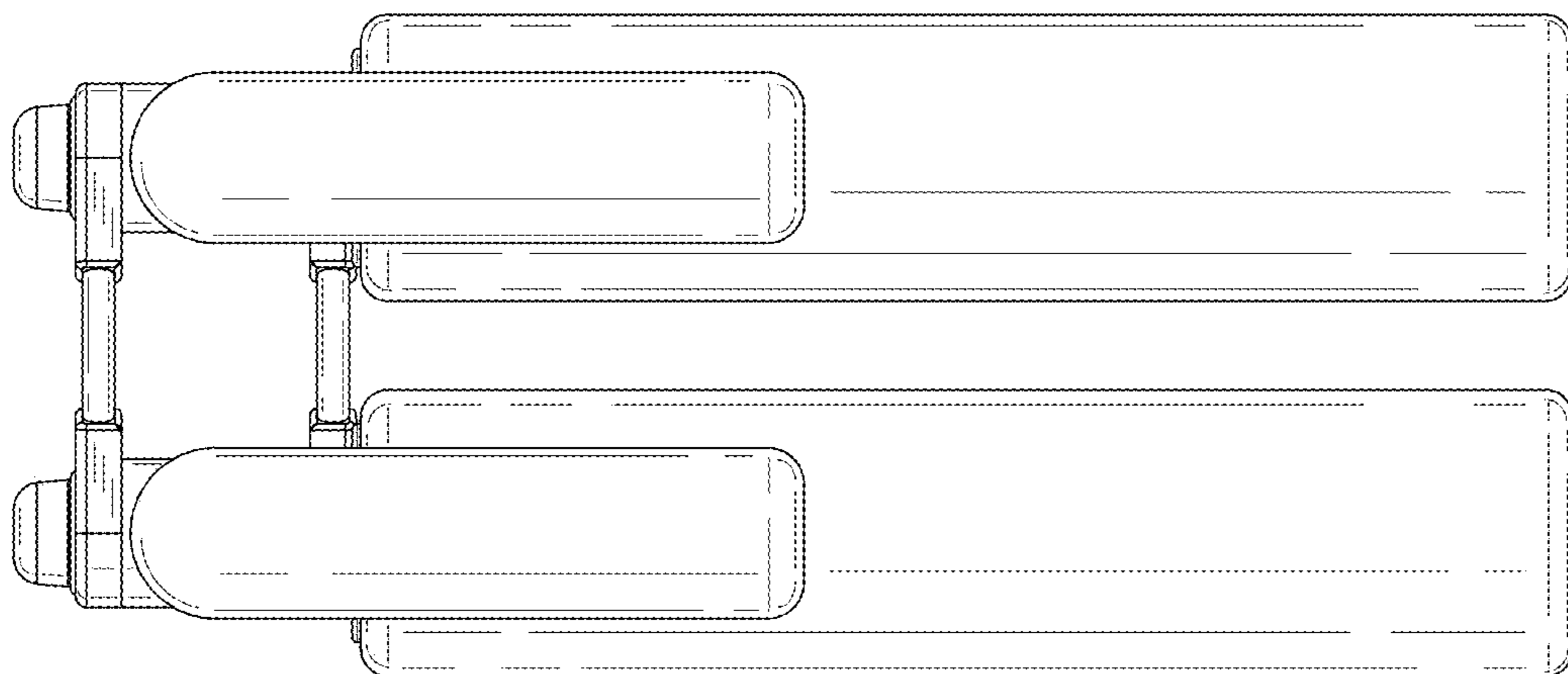


FIG. 7

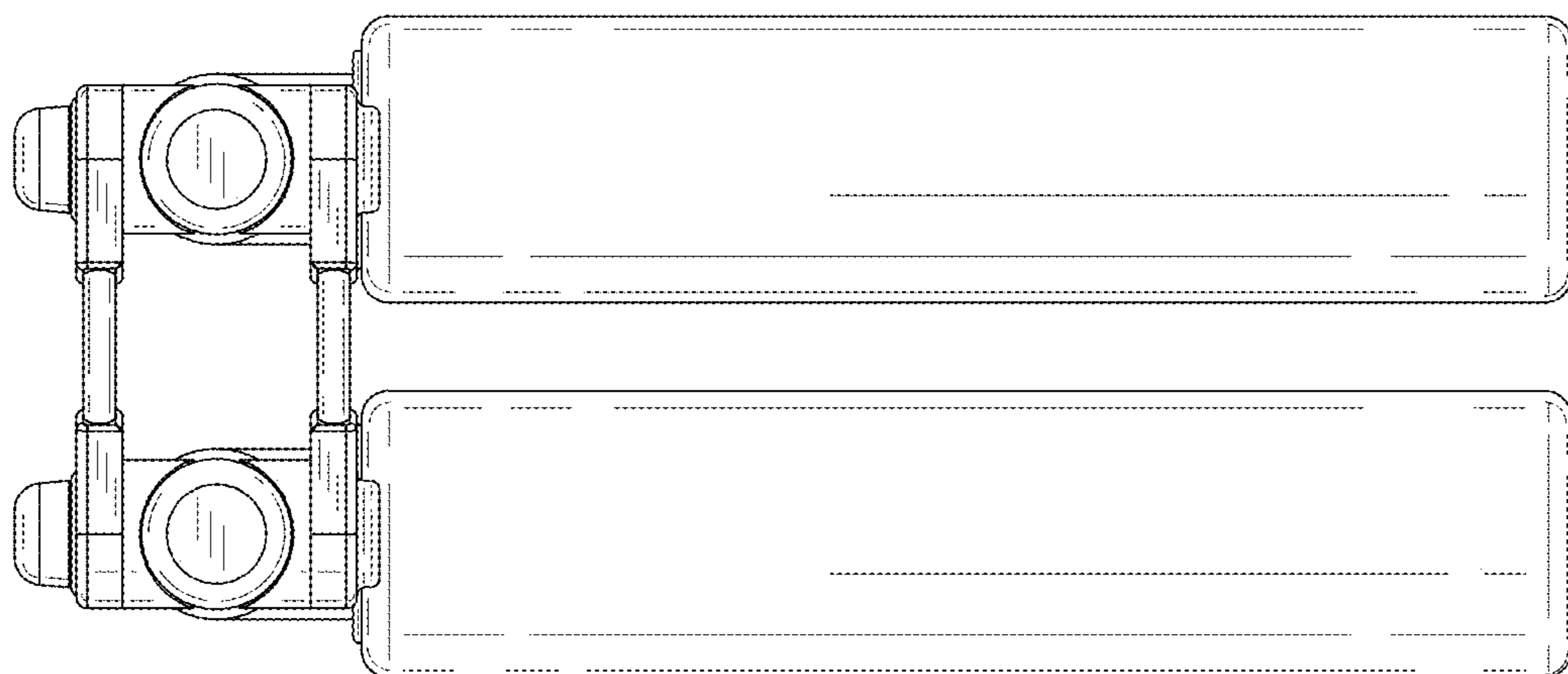


FIG. 8