



US00D884203S

(12) **United States Design Patent** (10) **Patent No.:** **US D884,203 S**
Segev (45) **Date of Patent:** **** May 12, 2020**

(54) **SKIN CARE DEVICE**
(71) Applicant: **Shay Segev**, Miami Beach, FL (US)
(72) Inventor: **Shay Segev**, Miami Beach, FL (US)
(**) Term: **15 Years**

D780,933 S * 3/2017 Uchida D24/200
D791,960 S * 7/2017 Guanying D24/209
D794,854 S * 8/2017 Zepter D24/200
D797,302 S * 9/2017 Vahlensieck D24/209
D840,546 S * 2/2019 Xiangmei D24/209
D861,901 S * 10/2019 Matsushita D24/200
D862,717 S * 10/2019 Khubani D24/200
2012/0197357 A1 * 8/2012 Dewey A61B 18/203
607/89

(21) Appl. No.: **29/671,475**
(22) Filed: **Nov. 27, 2018**
(51) **LOC (12) Cl.** **28-03**
(52) **U.S. Cl.**
USPC **D24/209**
(58) **Field of Classification Search**
USPC D24/107, 186, 200, 209, 210, 231;
D26/37-39; D28/9, 44.1
CPC A61N 5/0616; A61N 5/0617; A61N 5/062;
A61N 5/0627; A61N 5/0625; A61N
2005/0643; A61N 2005/0644; A61N
2005/0645; A61N 2005/0647; A61N
2005/0651; A61N 2005/0652; A61Q 9/04;
A61B 2018/00452; A61B 2018/1807
See application file for complete search history.

* cited by examiner

Primary Examiner — Anhdao Doan
(74) *Attorney, Agent, or Firm* — Novick, Kim & Lee,
PLLC; Harold L. Novick; Hyun Woo Shin

(57) **CLAIM**

I claim the ornamental design for a skin care device, as shown and described.

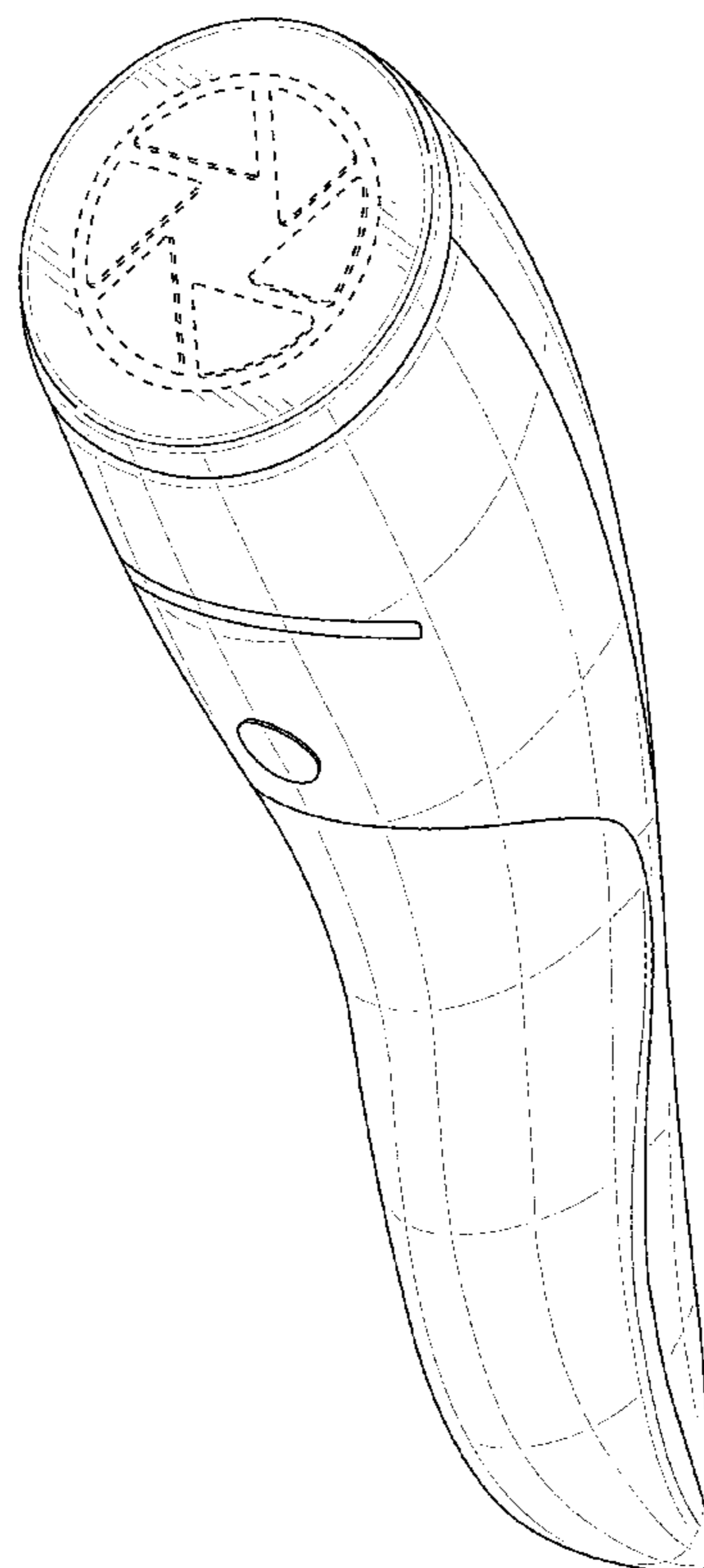
DESCRIPTION

FIG. 1 is a perspective view of a skin care device, showing my new design;
FIG. 2 is a front elevational view thereof;
FIG. 3 is a rear elevational view thereof;
FIG. 4 is a left side elevational view thereof;
FIG. 5 is a right side elevational view thereof;
FIG. 6 is a top plan view thereof; and,
FIG. 7 is a bottom plan view thereof.

The broken lines in the drawings show portions of the skin care device which form no part of the claimed design.

1 Claim, 7 Drawing Sheets

(56) **References Cited**
U.S. PATENT DOCUMENTS
D618,816 S * 6/2010 Kubicki D24/209
D726,926 S * 4/2015 Matsushita D24/200
D758,600 S * 6/2016 Matsushita D24/200
D759,256 S * 6/2016 Chen D24/200



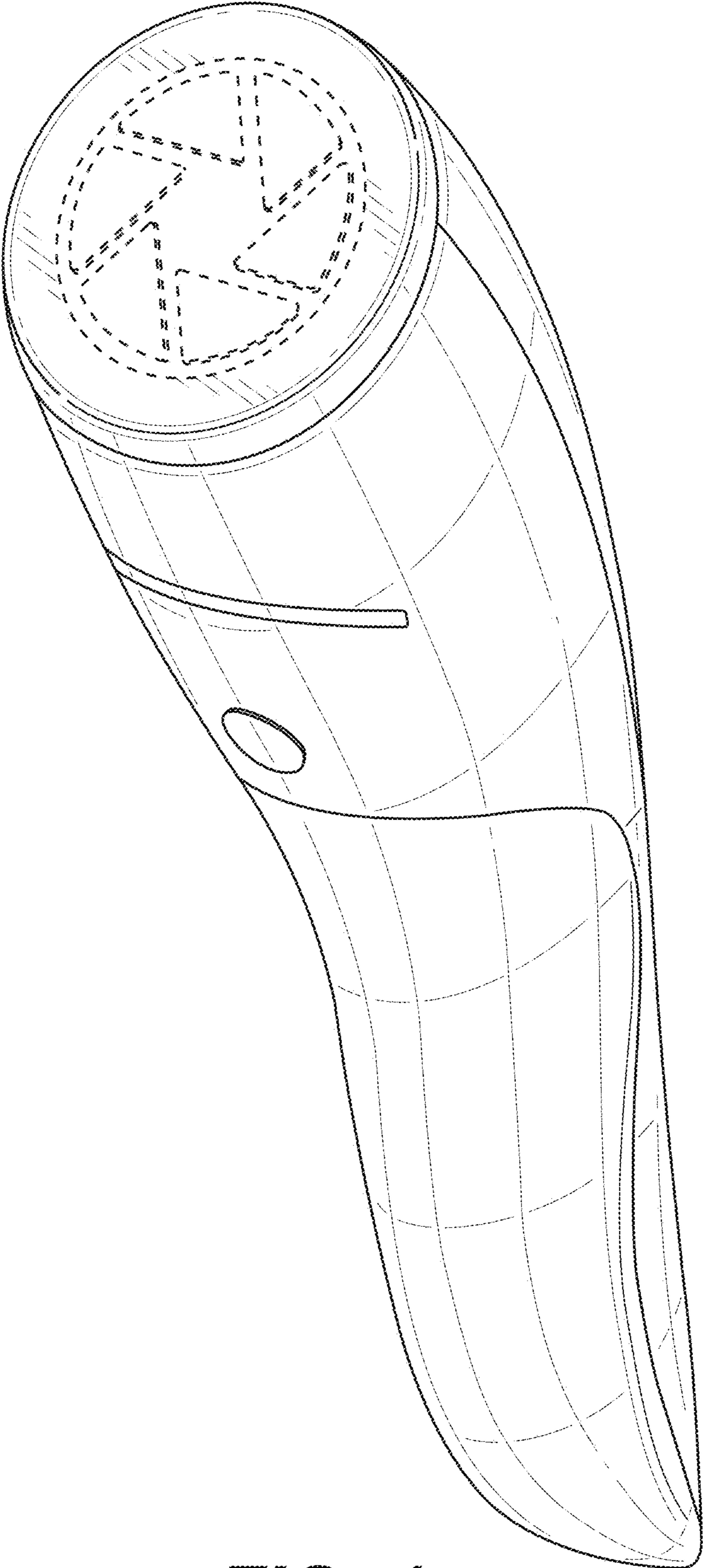


FIG. 1

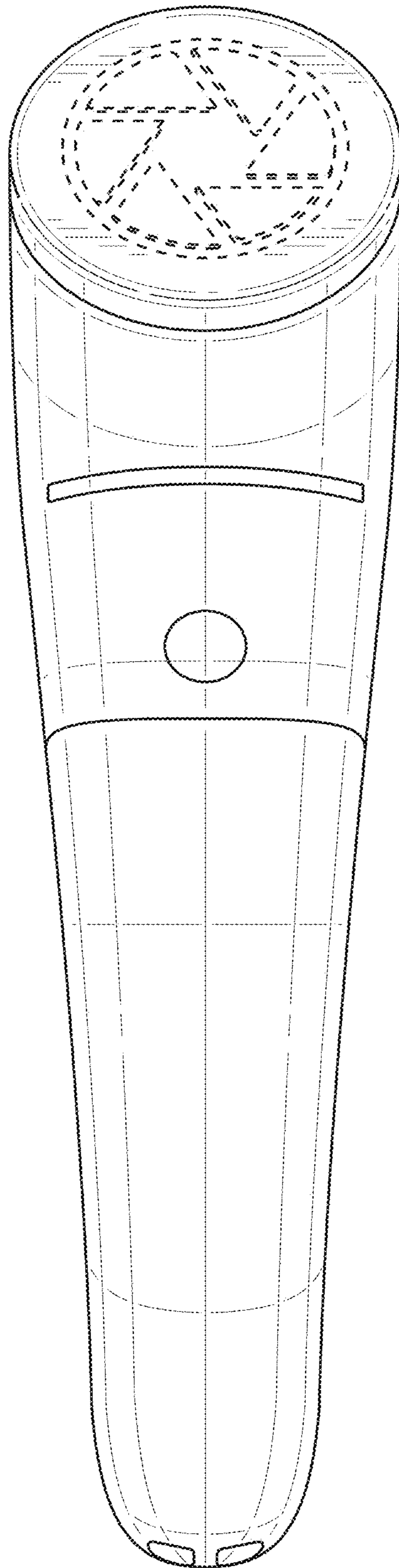


FIG. 2

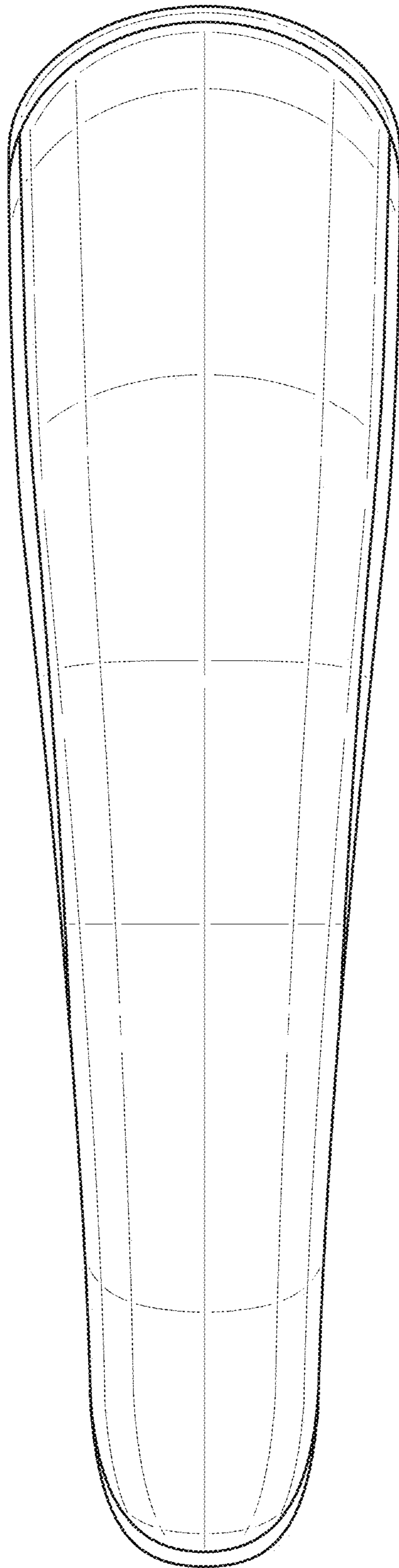


FIG. 3

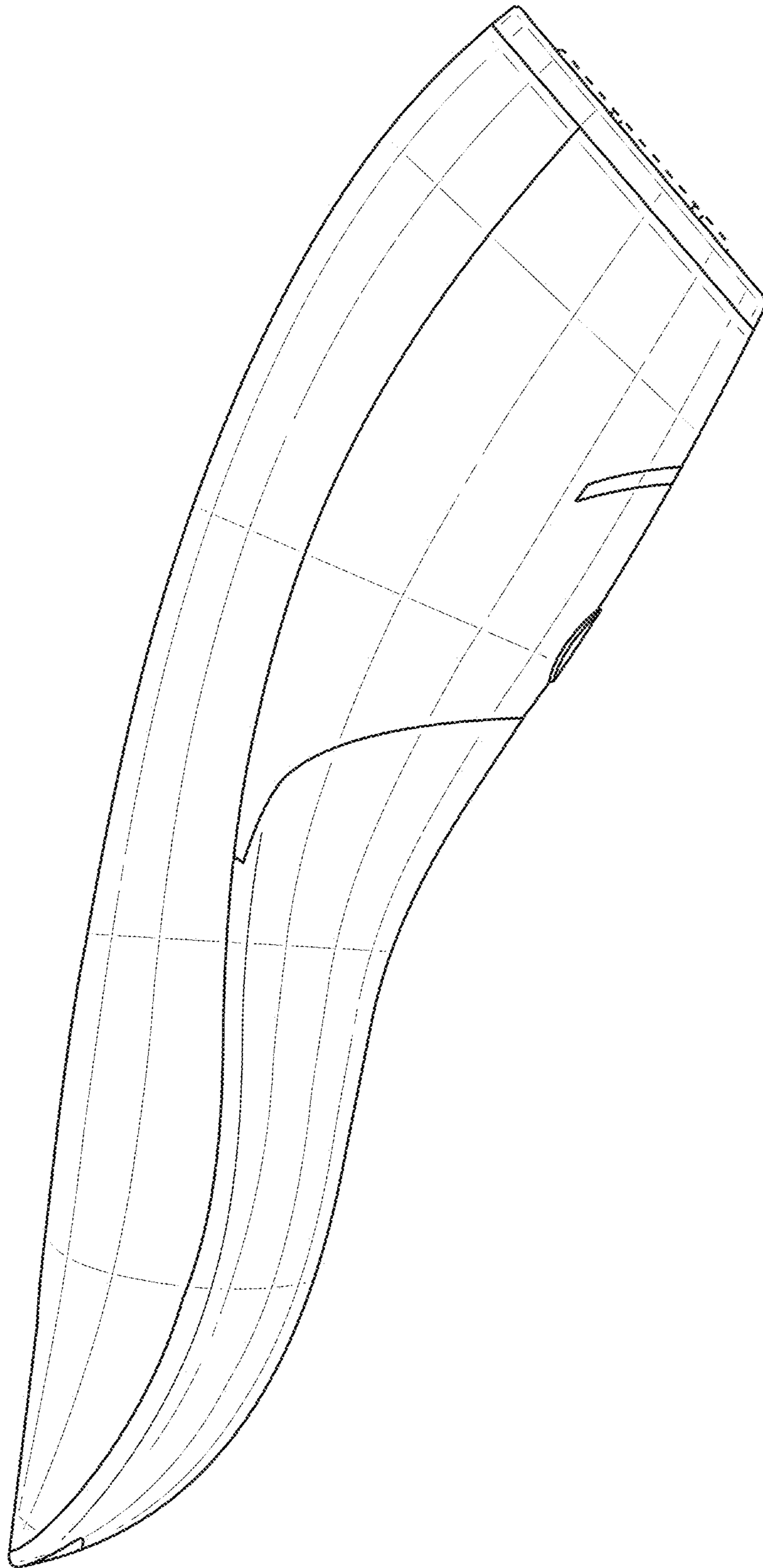


FIG. 4

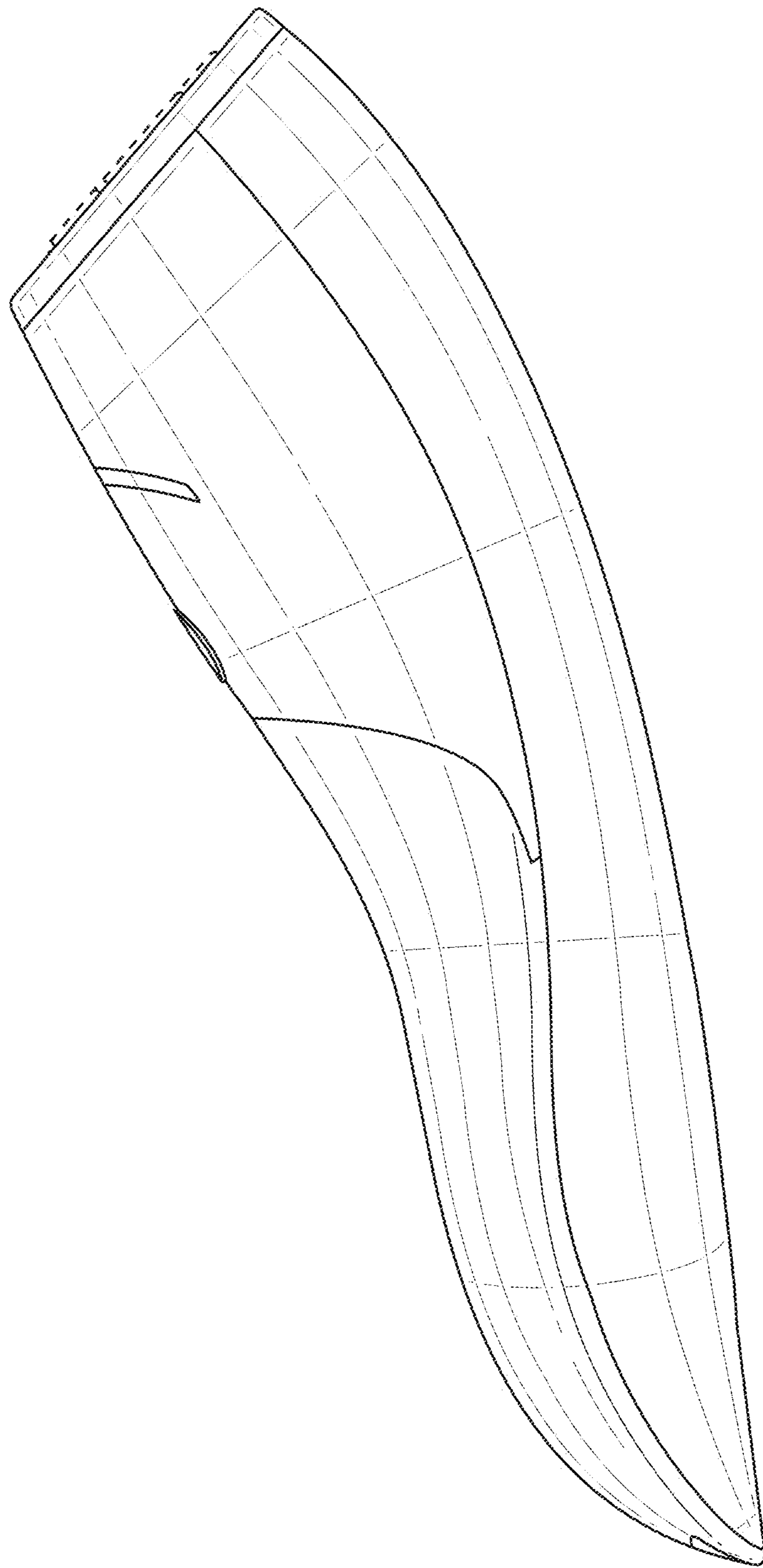


FIG. 5

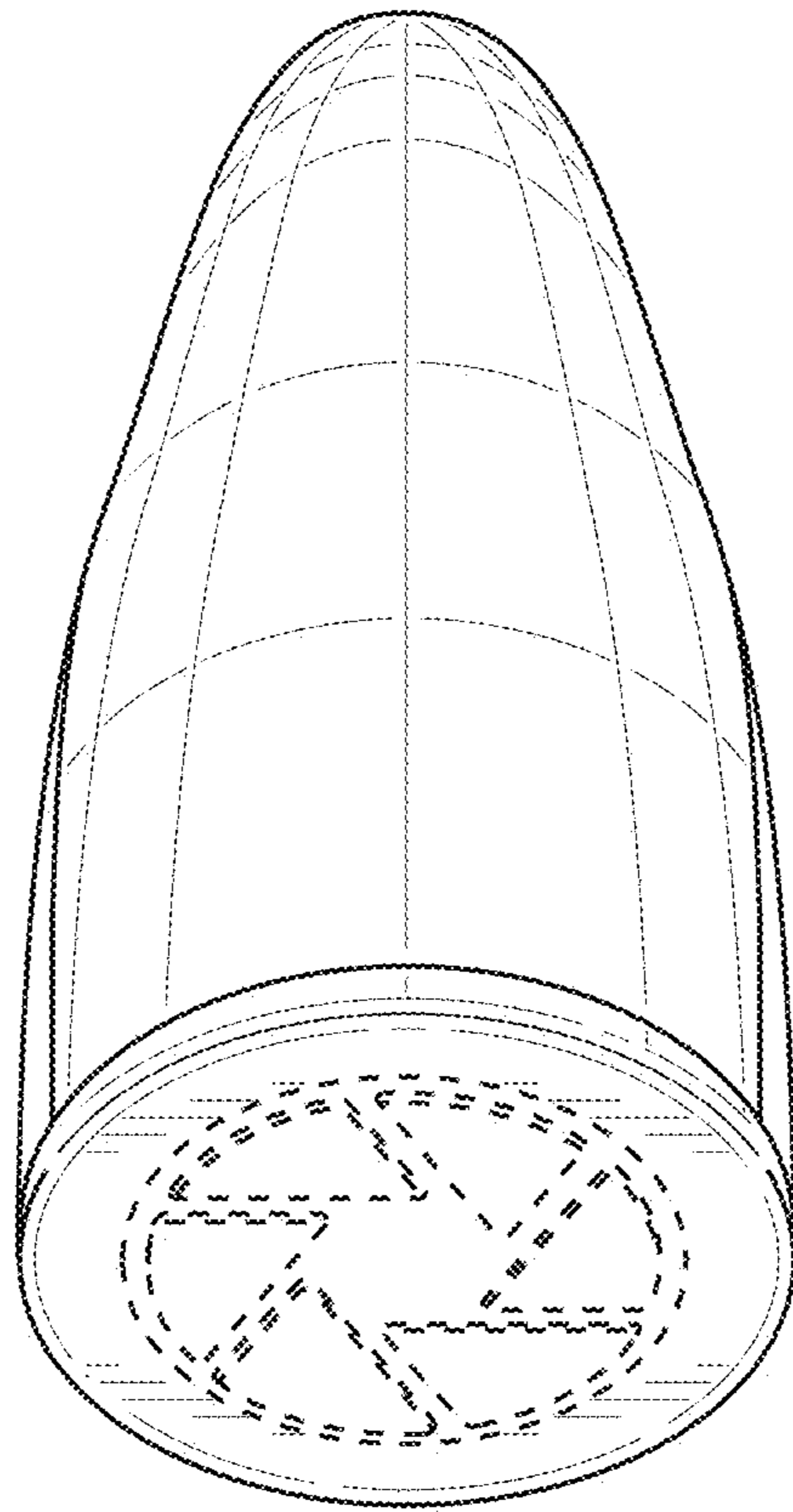


FIG. 6

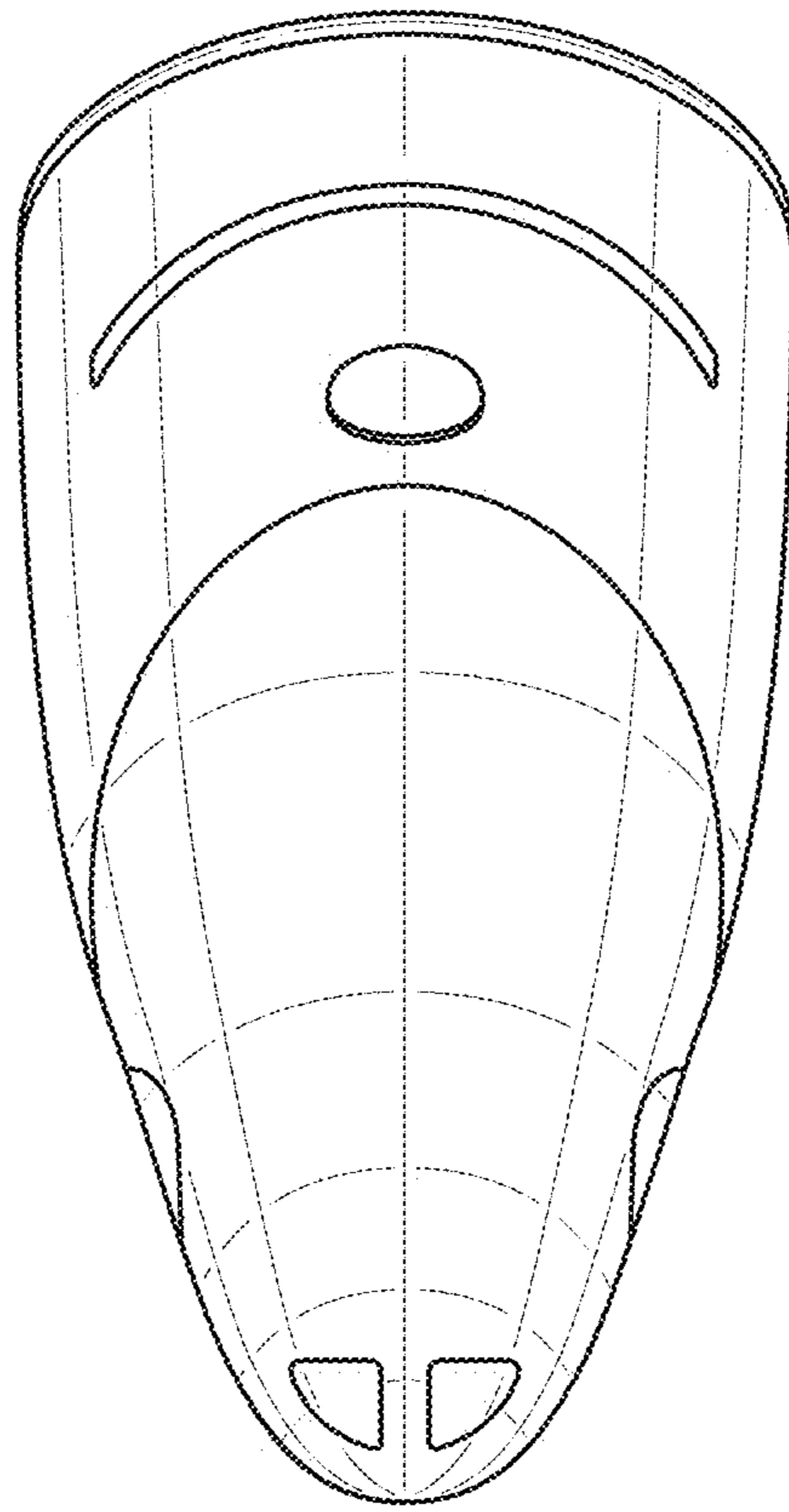


FIG. 7