



US00D884202S

(12) **United States Design Patent** (10) **Patent No.:** **US D884,202 S**
Goodson et al. (45) **Date of Patent:** **** May 12, 2020**

(54) **ORAL PHOTOTHERAPY DEVICE**
(71) Applicant: **PhotoMedics Inc.**, Saugus, MA (US)
(72) Inventors: **J. Max Goodson**, Cambridge, MA (US); **Amy Potts**, Westford, MA (US); **J. Derek Riemer**, Westford, MA (US); **Nikolaos S. Soukos**, Saugus, MA (US)
(73) Assignee: **PHOTOMEDICS INC.**, Saugus, MA (US)

D695,400 S * 12/2013 Sadot D24/186
D707,839 S * 6/2014 Bradley D24/209
D765,870 S * 9/2016 Sedic D24/200
D773,061 S * 11/2016 Loebel D24/200
D776,873 S * 1/2017 Levi D24/209
D820,464 S * 6/2018 Gabriele D24/209
2012/0207184 A1* 8/2012 Crowder A61B 18/20
372/38.04
2015/0030989 A1* 1/2015 Soukos A61N 5/0603
433/29

(**) Term: **15 Years**
(21) Appl. No.: **29/627,094**

* cited by examiner
Primary Examiner — Anhdao Doan
(74) *Attorney, Agent, or Firm* — Hathaway P. Russell;
Erik A. Huestis; Foley Hoag LLP

(22) Filed: **Nov. 22, 2017**
(51) **LOC (12) Cl.** **28-03**
(52) **U.S. Cl.**
USPC **D24/209**

(57) **CLAIM**
The ornamental design for an oral phototherapy device, as shown and described.

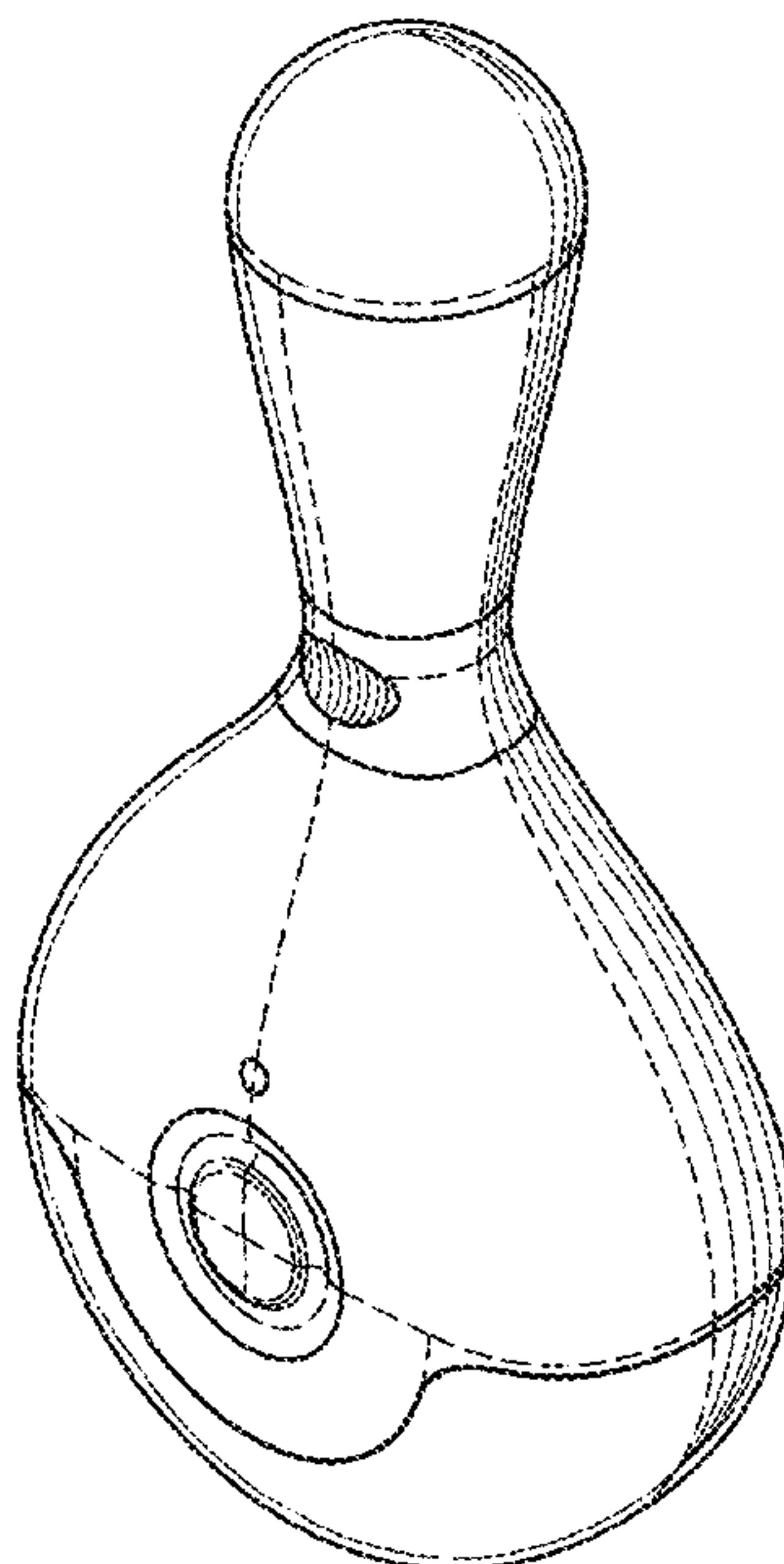
(58) **Field of Classification Search**
USPC D24/107, 186, 158, 231, 200, 209, 210,
D24/214, 215, 152, 176, 133, 144;
D26/37-39
CPC .. A61N 5/0616; A61N 5/0617; A61N 5/0618;
A61N 5/062; A61N 5/0627; A61N
5/0624; A61N 5/0625; A61N 2005/0643;
A61N 2005/0644; A61N 2005/0645;
A61N 2005/0647; A61N 2005/0651;
A61N 2005/0652; A61N 2005/0654;
A61N 2005/0662; A61B 2018/00452;
A61B 2018/1807
See application file for complete search history.

DESCRIPTION

FIG. 1 is a top view of an oral phototherapy device;
FIG. 2 is a left side view thereof;
FIG. 3 is a front view thereof;
FIG. 4 is a right side view thereof;
FIG. 5 is a back view thereof;
FIG. 6 is a bottom view thereof;
FIG. 7 is a first front perspective view thereof;
FIG. 8 is a first back perspective view thereof;
FIG. 9 is a second front perspective view thereof; and,
FIG. 10 is a second back perspective view thereof.
The broken lines represent environmental subject matter and form no part of the claimed design.

(56) **References Cited**
U.S. PATENT DOCUMENTS
D507,654 S * 7/2005 Gollnick D24/210
D655,012 S * 2/2012 Nanda D24/176

1 Claim, 10 Drawing Sheets



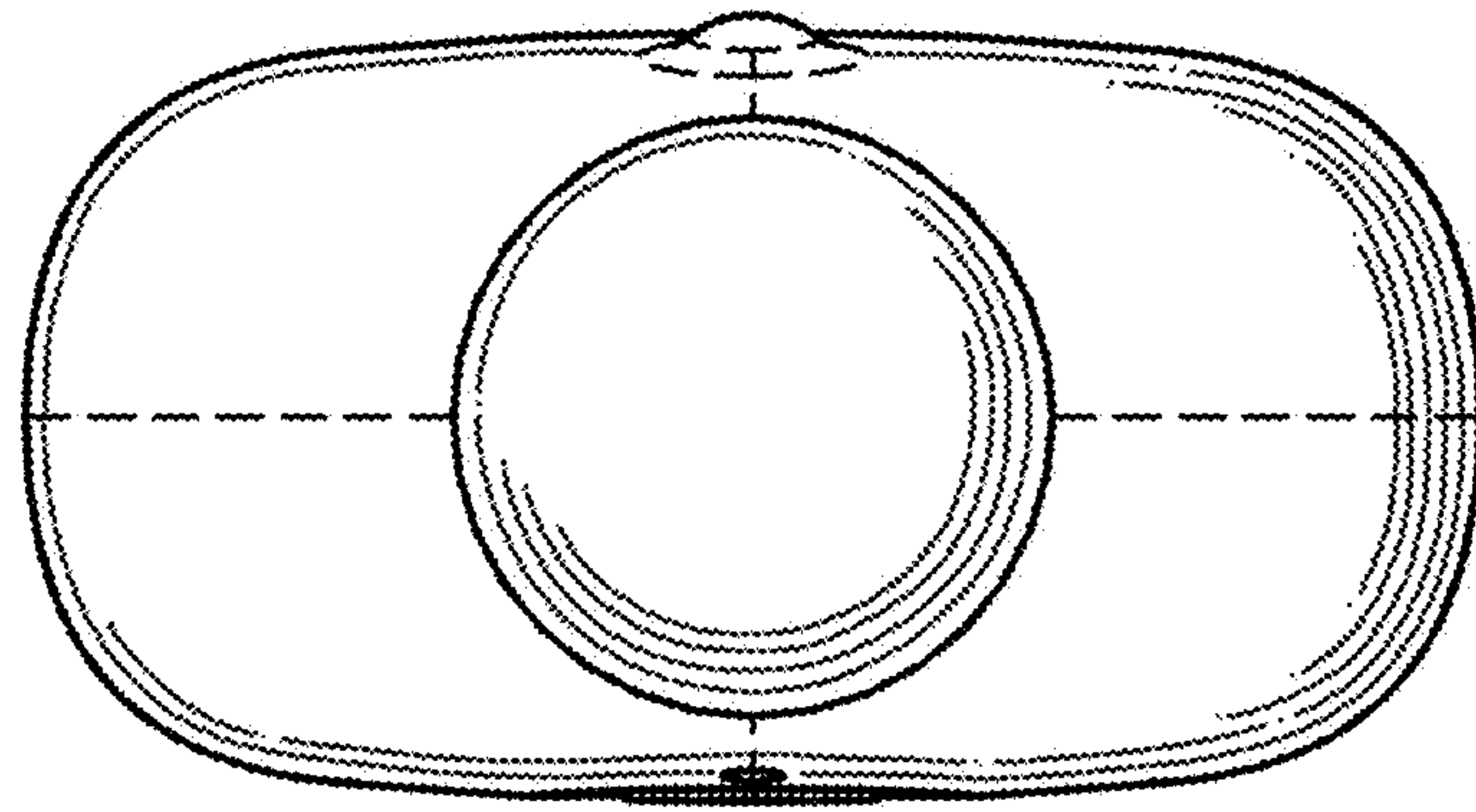


Fig. 1

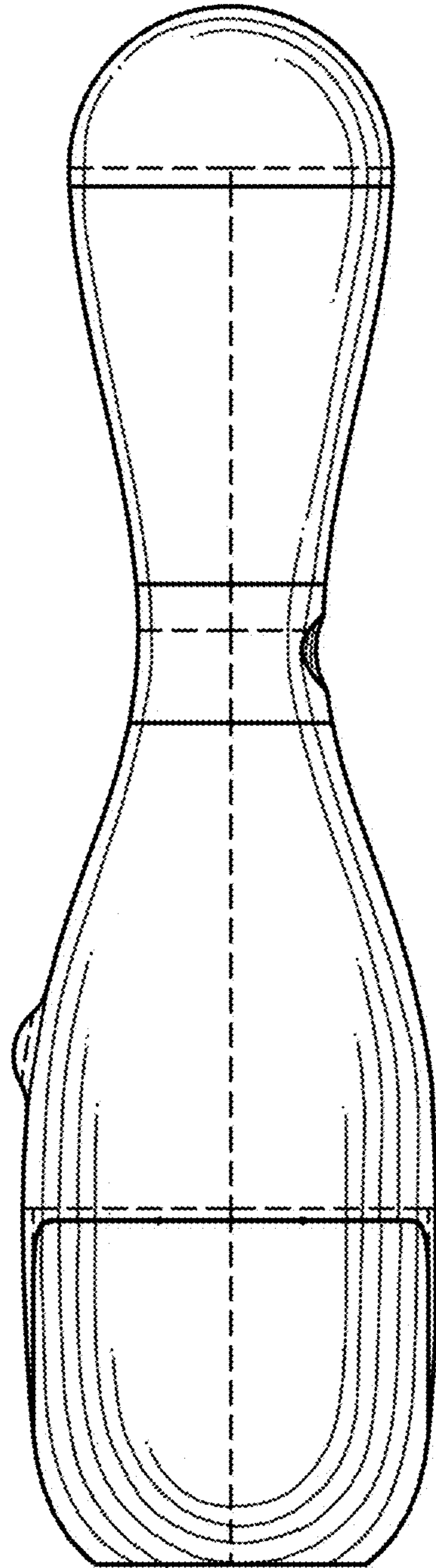


Fig. 2

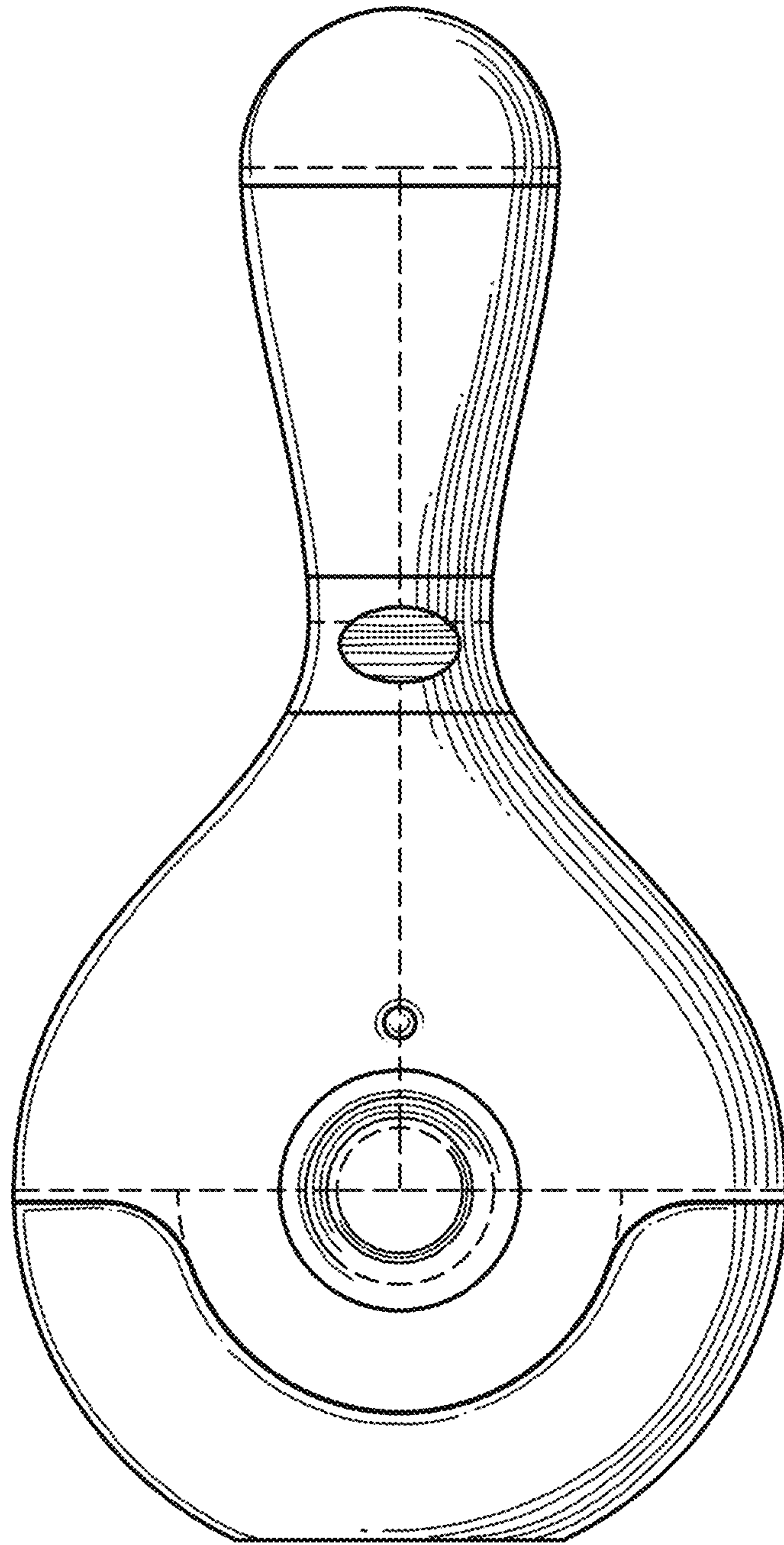


Fig. 3

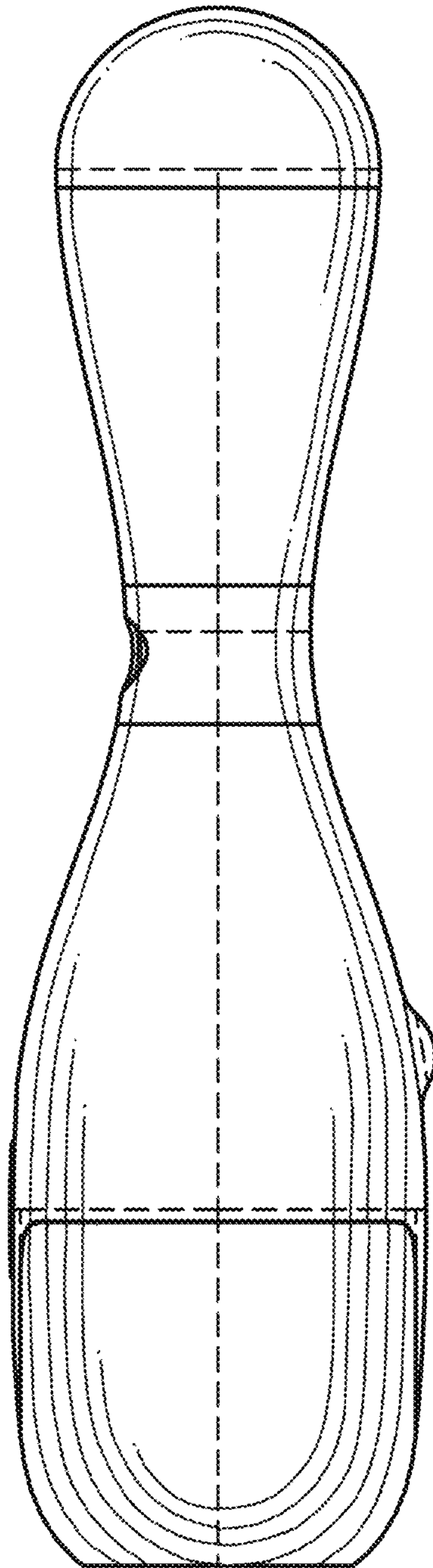


Fig. 4

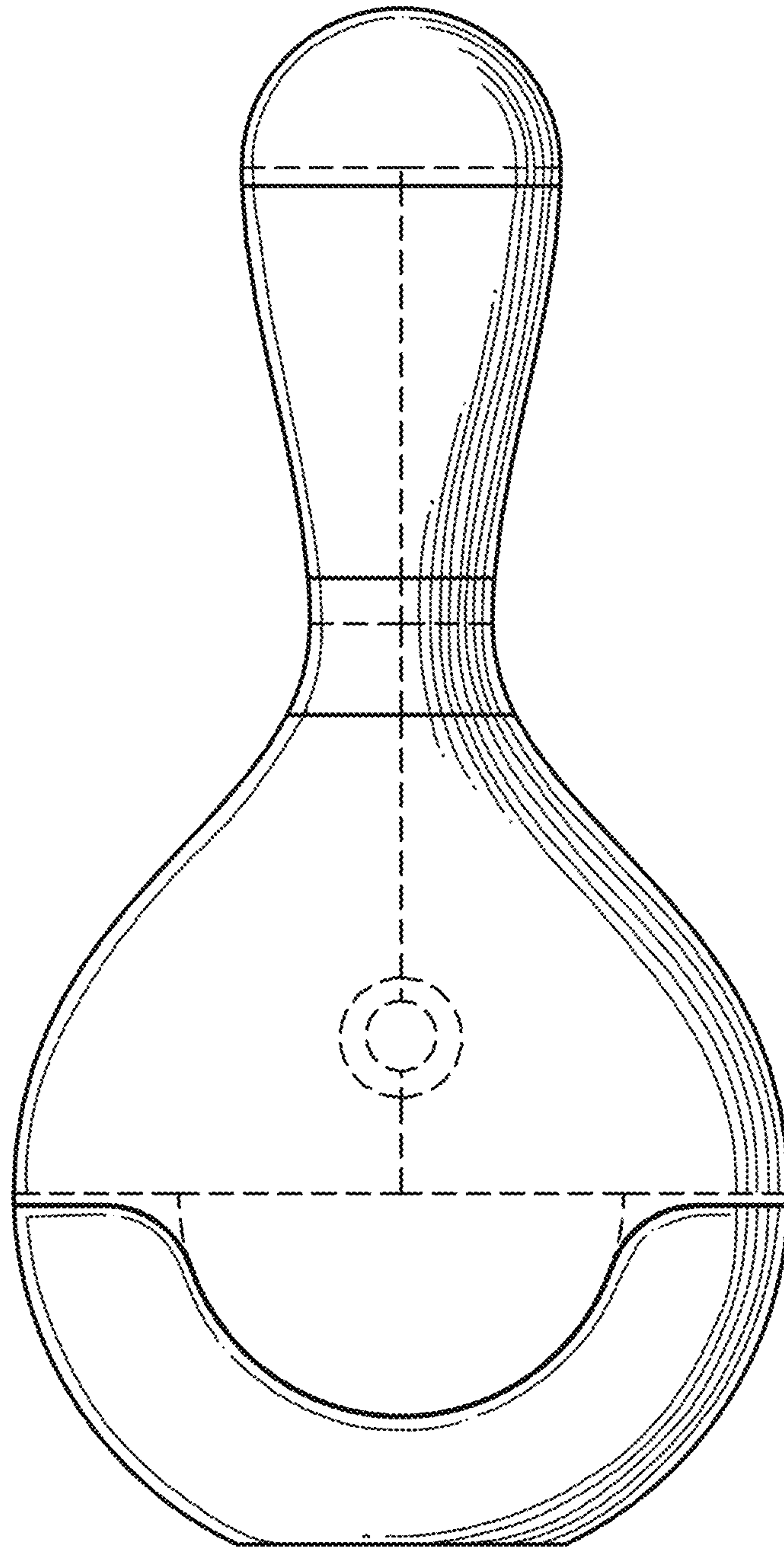


Fig. 5

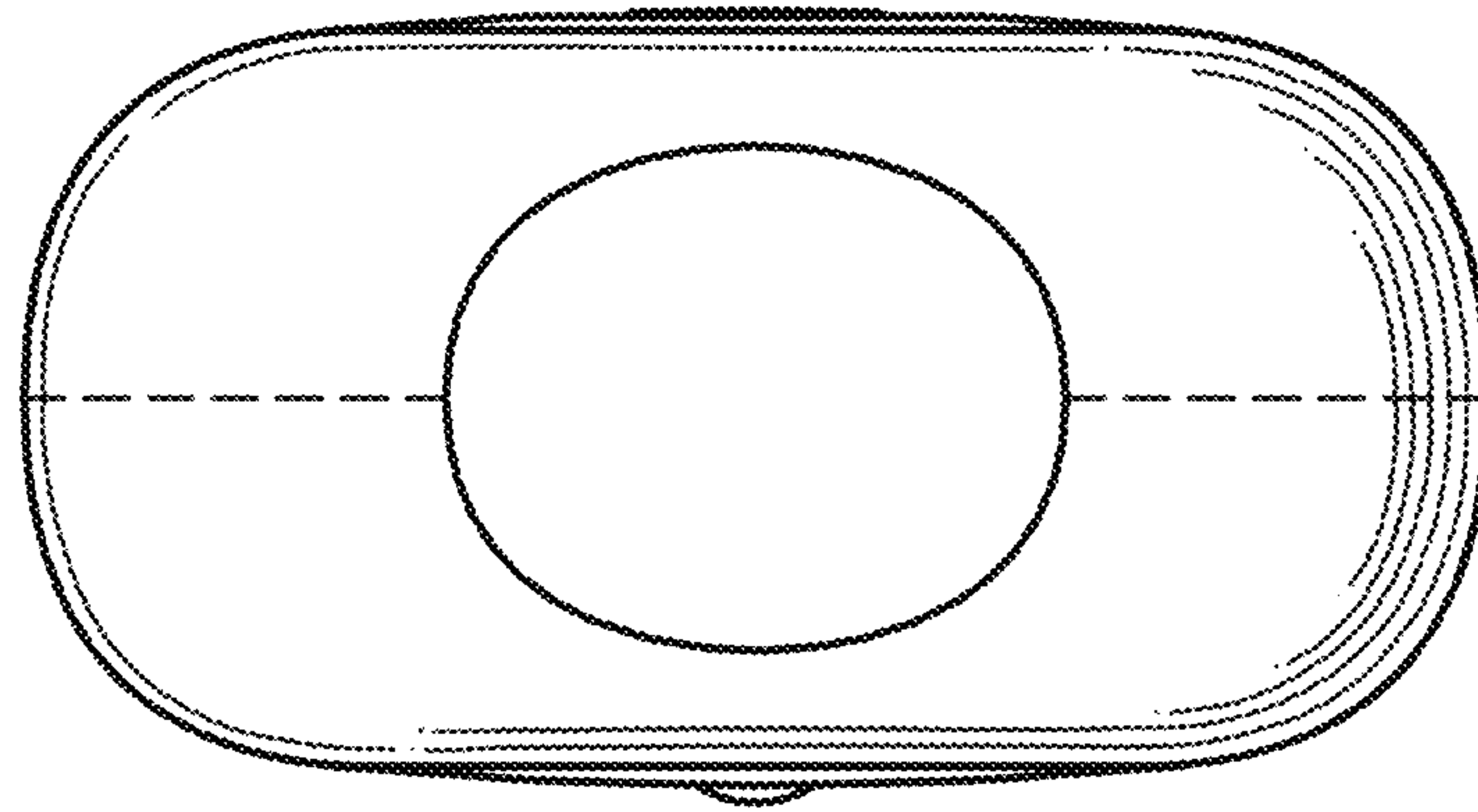


Fig. 6

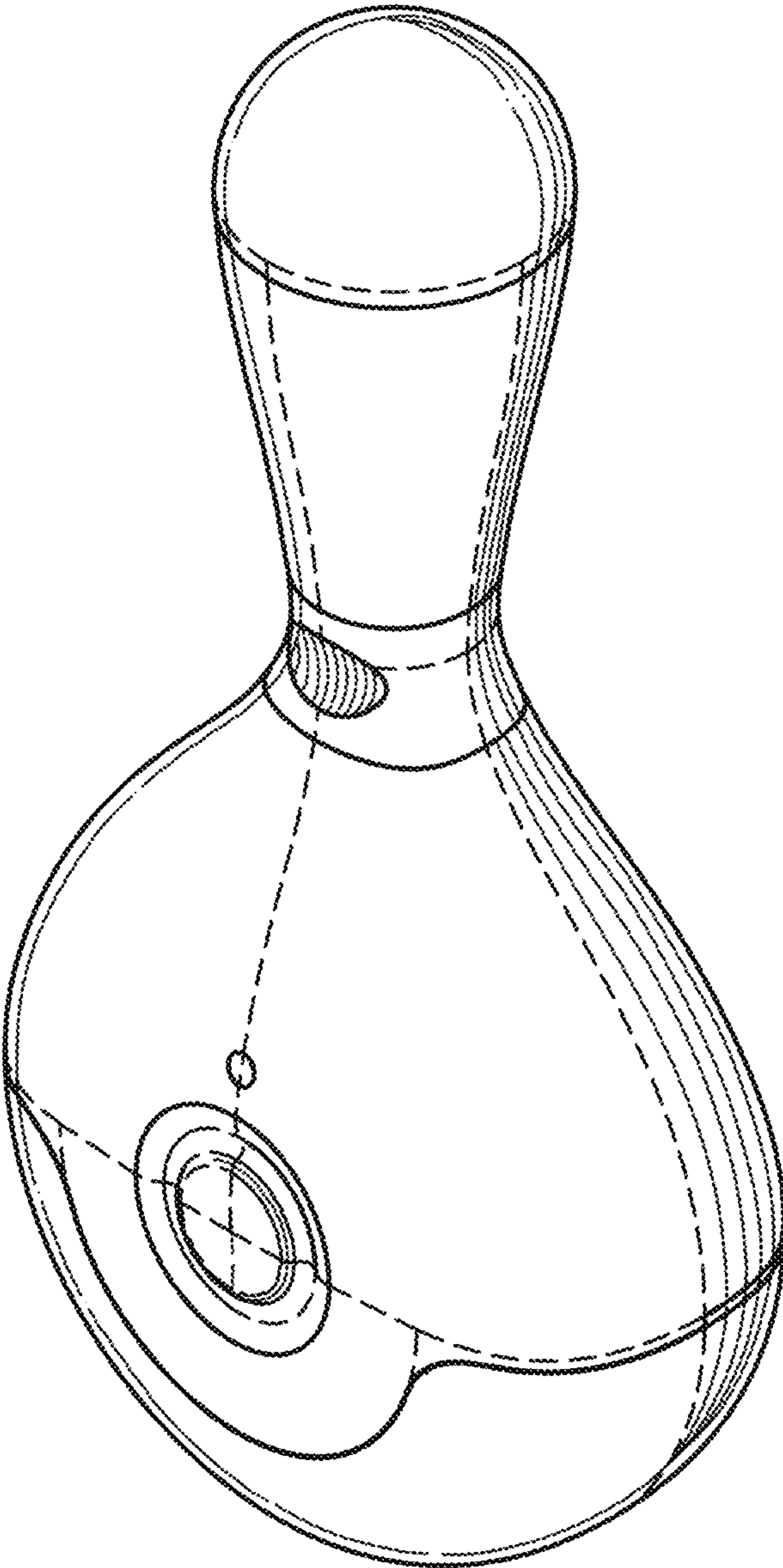


Fig. 7

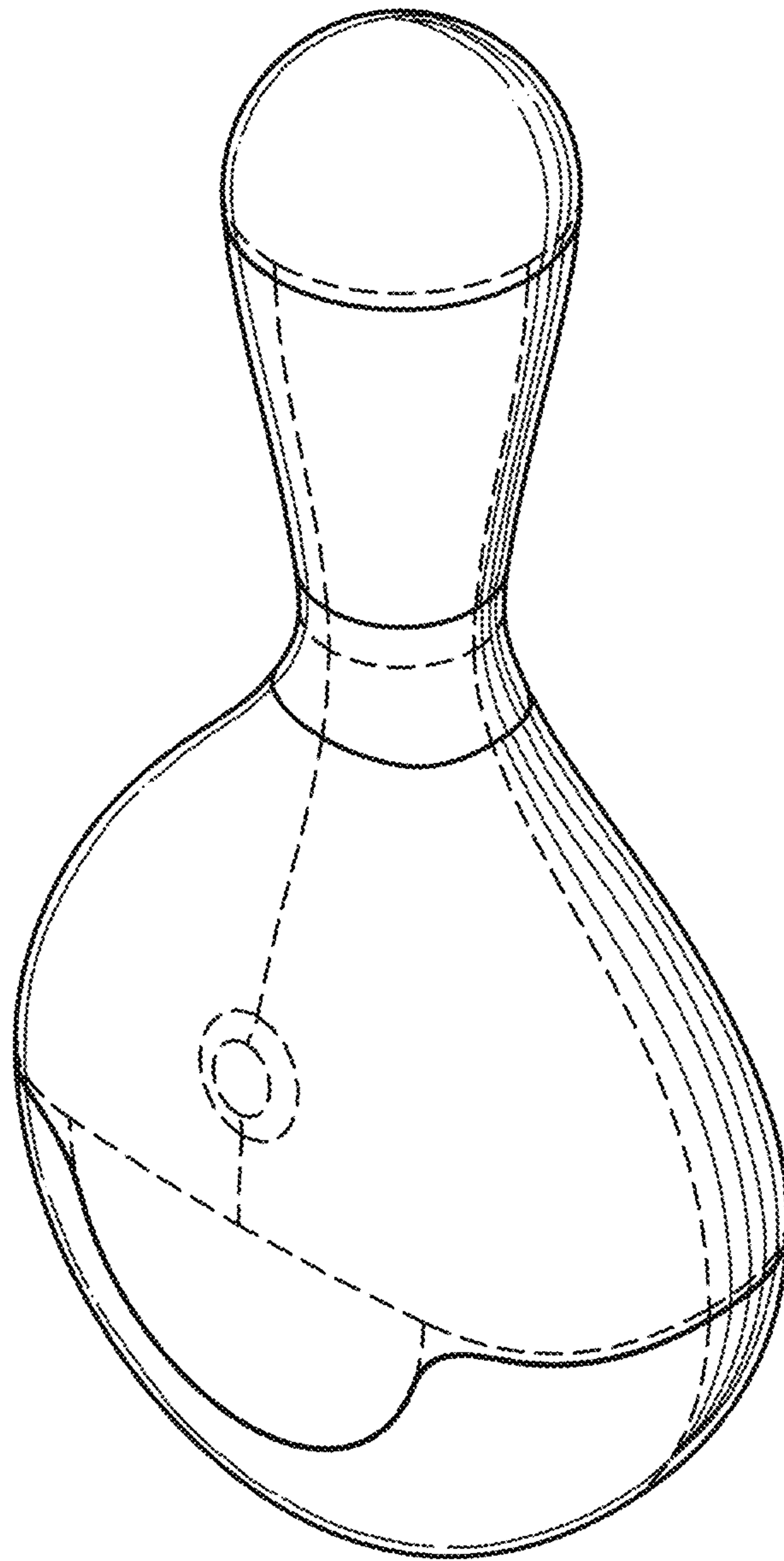


Fig. 8

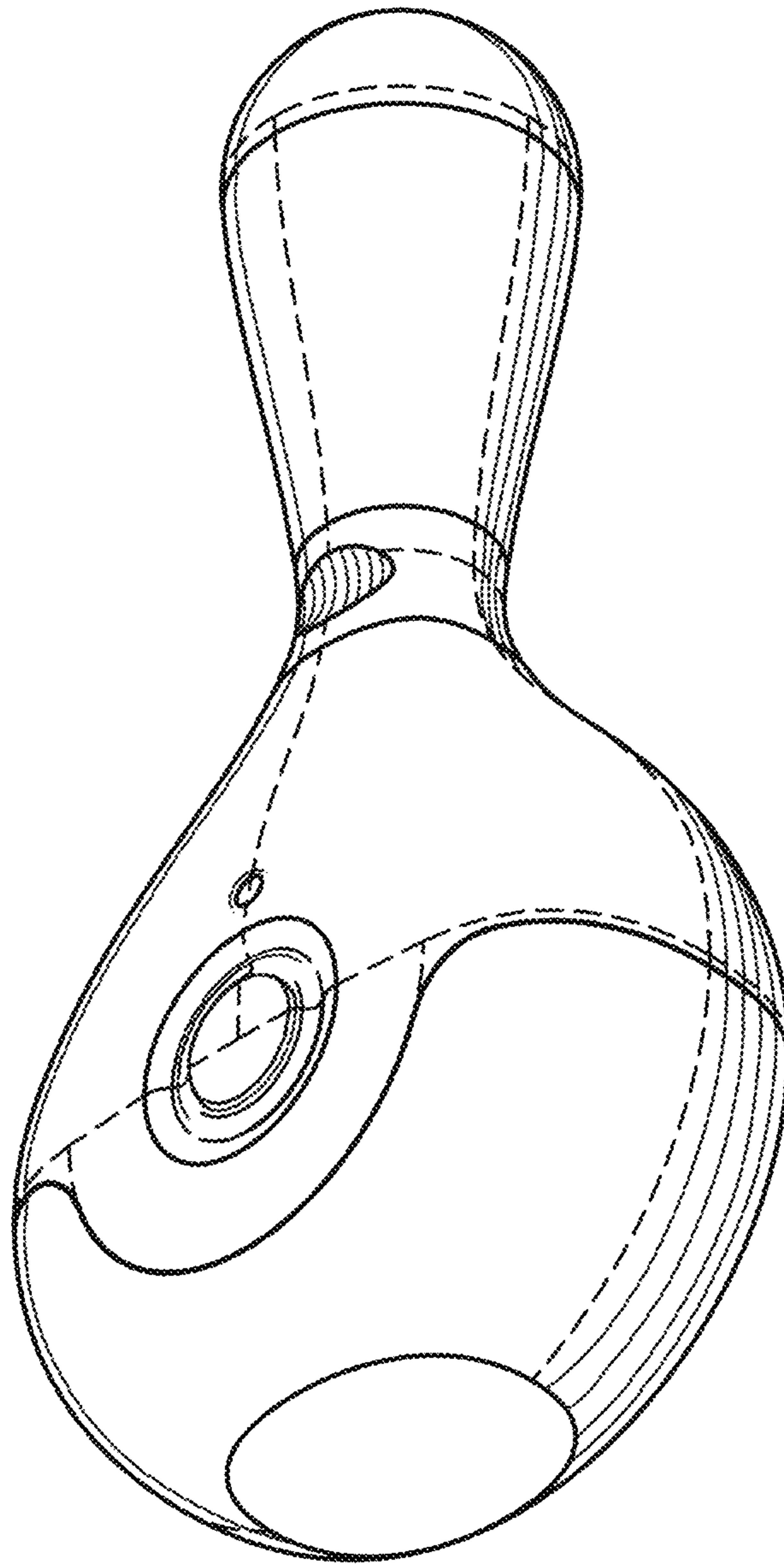


Fig. 9

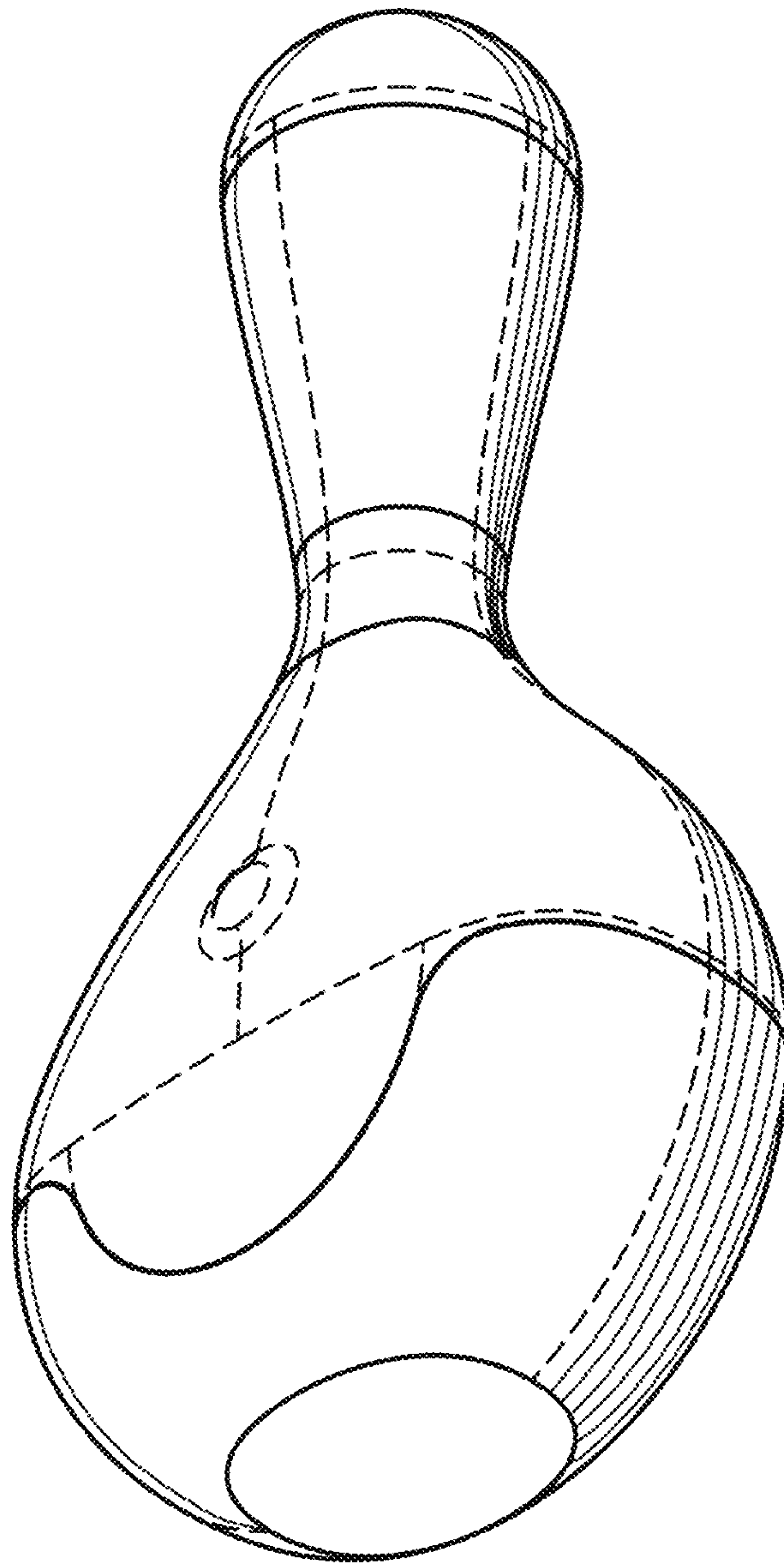


Fig. 10