



US00D884199S

(12) **United States Design Patent** (10) **Patent No.:** **US D884,199 S**
Mei (45) **Date of Patent:** **** May 12, 2020**

(54) **PELVIS SUPPORT BELT**
(71) Applicant: **GOLDMAN INTERNATIONAL LIMITED**, Denver, CO (US)
(72) Inventor: **Laifu Mei**, Wuhan (CN)
(73) Assignee: **GOLDMAN INTERNATIONAL LIMITED**, Denver, CO (US)
(**) Term: **15 Years**
(21) Appl. No.: **29/720,972**
(22) Filed: **Jan. 16, 2020**
(51) **LOC (12) Cl.** **24-01**
(52) **U.S. Cl.**
USPC **D24/190**
(58) **Field of Classification Search**
USPC D24/190–192; D29/100–102
CPC .. A61F 5/028; A61F 5/03; A61F 5/024; A61F 5/0193; A61F 5/02; A61F 5/026; A61F 5/0118; A61F 5/022; A61F 5/30; A61F 7/02; A61F 2007/0001; A61F 5/0106; A61F 5/055; A61F 2250/001
See application file for complete search history.

(56) **References Cited**
U.S. PATENT DOCUMENTS
D349,767 S * 8/1994 Courtet D24/190
D353,890 S * 12/1994 McKeel D24/190
D480,145 S * 9/2003 Slautterback D24/190
D638,948 S * 5/2011 Janzon D24/190
D777,334 S * 1/2017 Souney D24/190
D784,546 S 4/2017 Gordon
D789,547 S * 6/2017 Matfus D24/190
D833,629 S * 11/2018 Chang D24/190
D872,285 S * 1/2020 Sigurdsson D24/190
D875,260 S * 2/2020 Rokitta D24/190

D875,261 S * 2/2020 Liu D24/190
D876,649 S * 2/2020 Lind D24/190
D876,652 S * 2/2020 Combs D24/190
D876,653 S * 2/2020 Heller D24/190
D877,347 S * 3/2020 Hu D24/190
D879,309 S * 3/2020 Reinke D24/190
2004/0077981 A1 * 4/2004 Weaver, II A61F 5/028
602/19
2005/0059917 A1 * 3/2005 Garth A61F 5/028
602/19
2009/0326427 A1 * 12/2009 Kawahara A61F 5/024
602/19
2012/0204381 A1 * 8/2012 Ingimundarson A41F 1/04
24/71.1
2013/0116609 A1 * 5/2013 Matsuo A41D 13/0531
602/19
2015/0245939 A1 9/2015 Fruscione-Loizides
2017/0014255 A1 * 1/2017 Booker A61F 7/03
2018/0295892 A1 10/2018 Caden

* cited by examiner

Primary Examiner — Jennifer L Watkins

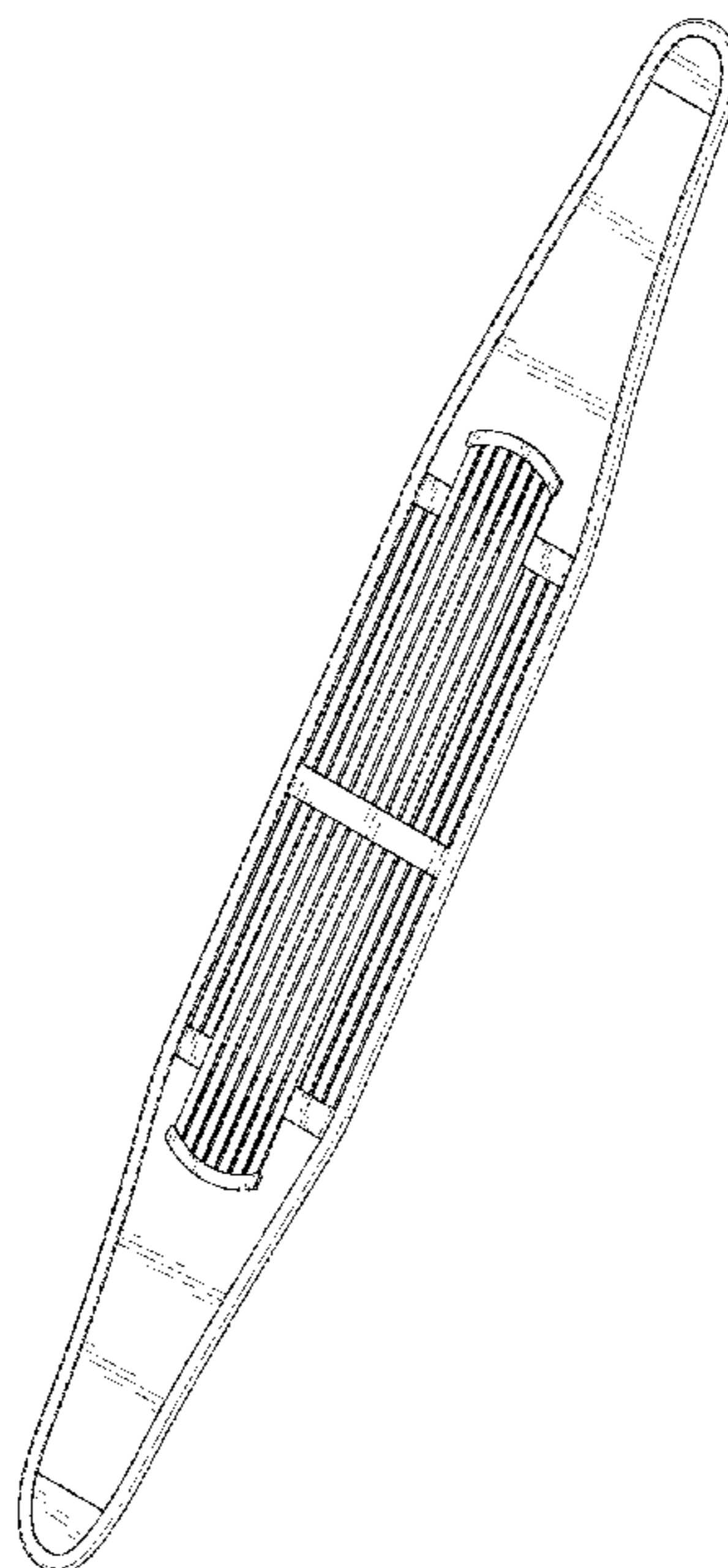
(57) **CLAIM**

The ornamental design for a pelvis support belt, as shown and described.

DESCRIPTION

FIG. 1 is a perspective view of a pelvis support belt showing my new design;
FIG. 2 is another perspective view thereof;
FIG. 3 is a front elevational view thereof;
FIG. 4 is a rear elevational view thereof;
FIG. 5 is a left side elevational view thereof;
FIG. 6 is a right side elevational view thereof;
FIG. 7 is a top plan view thereof;
FIG. 8 is a bottom plan view thereof; and,
FIG. 9 is a perspective view of the pelvis support belt where the pelvis support belt is in a rolled-up state.

1 Claim, 9 Drawing Sheets



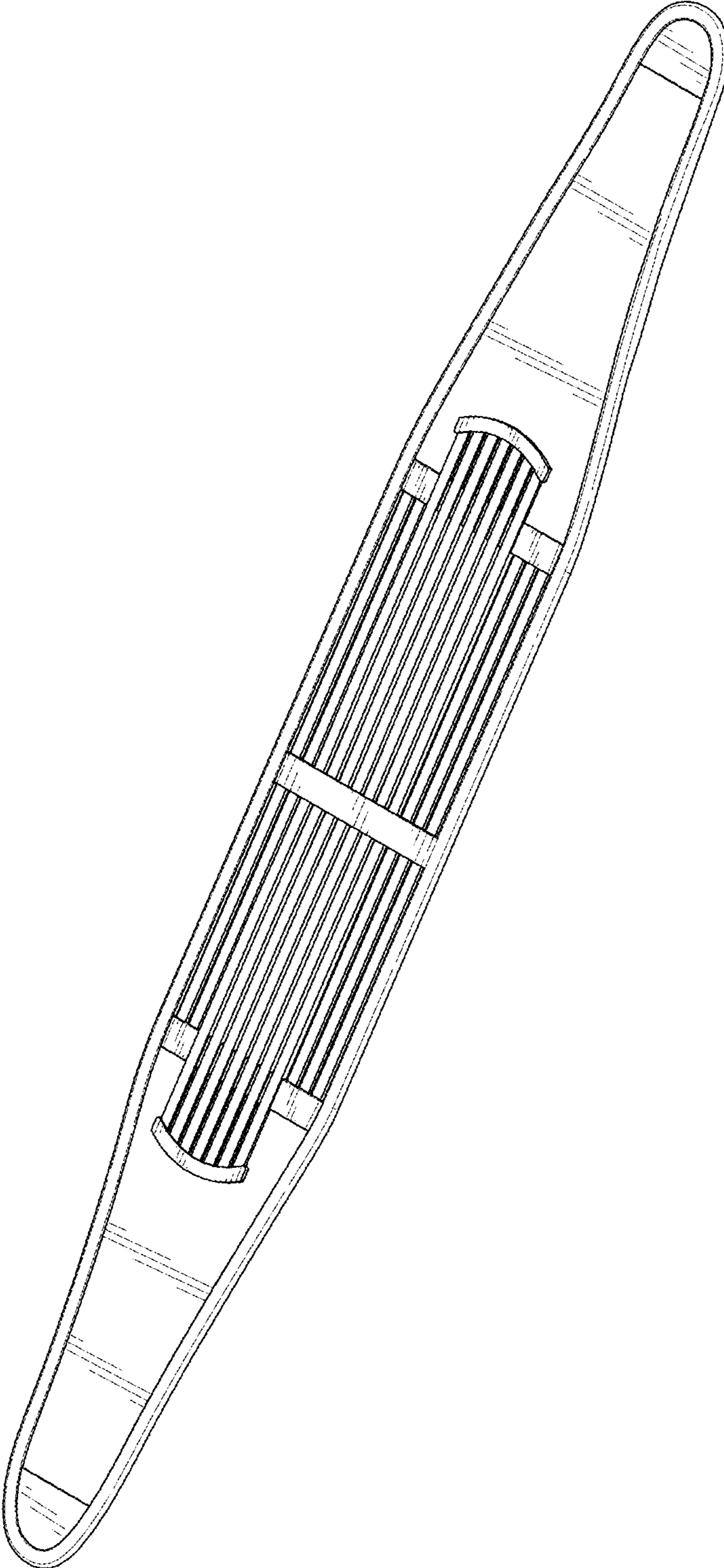


FIG. 1

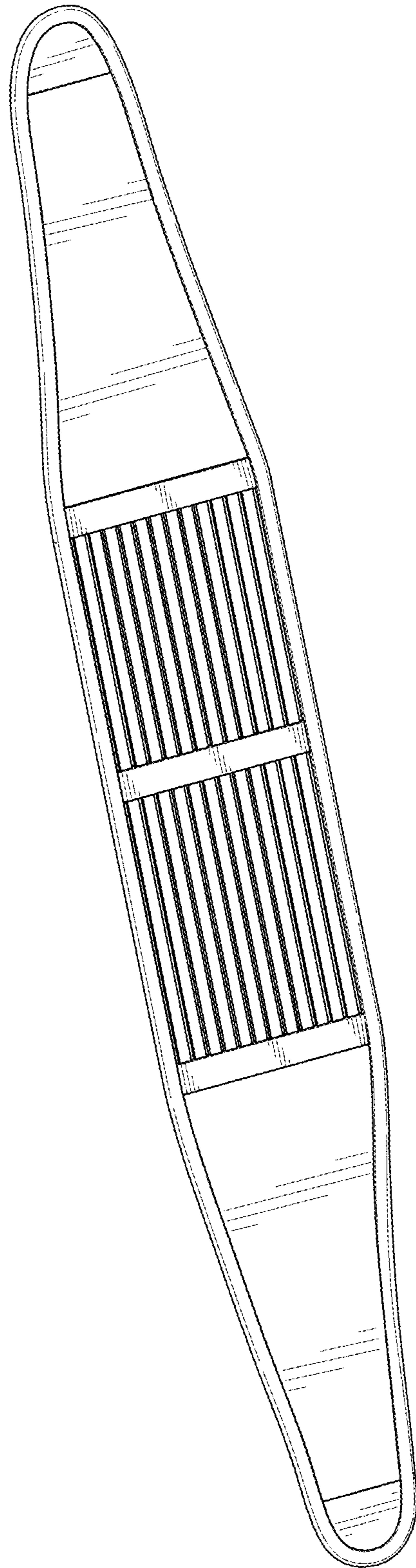


FIG. 2

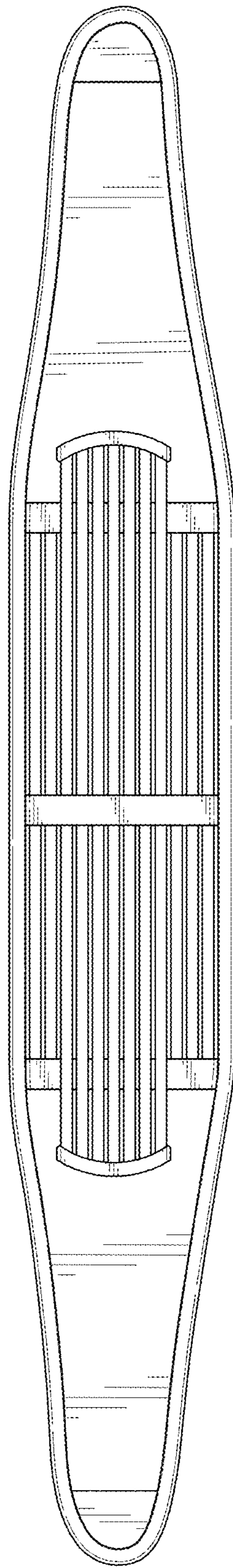


FIG. 3

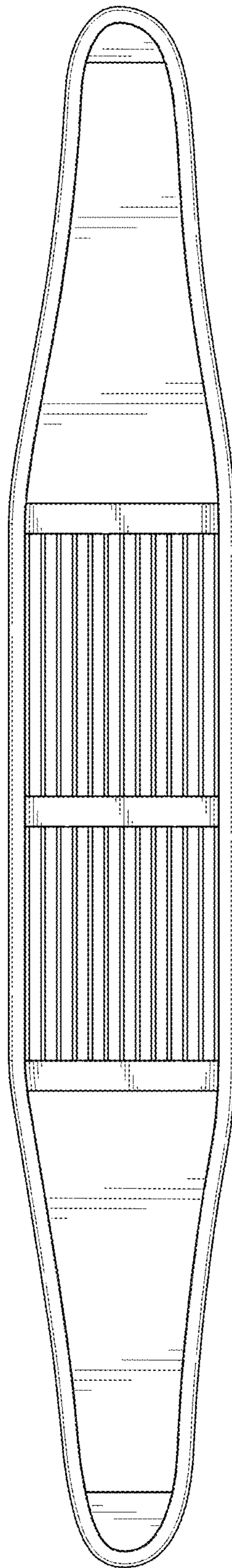


FIG. 4

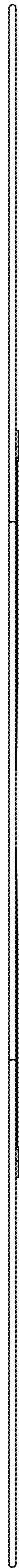


FIG. 5



FIG. 6

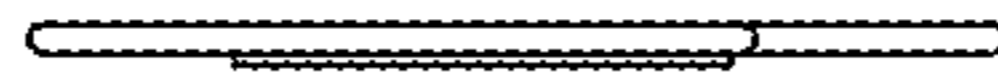


FIG. 7

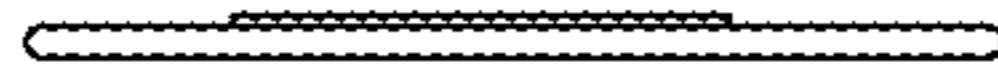


FIG. 8

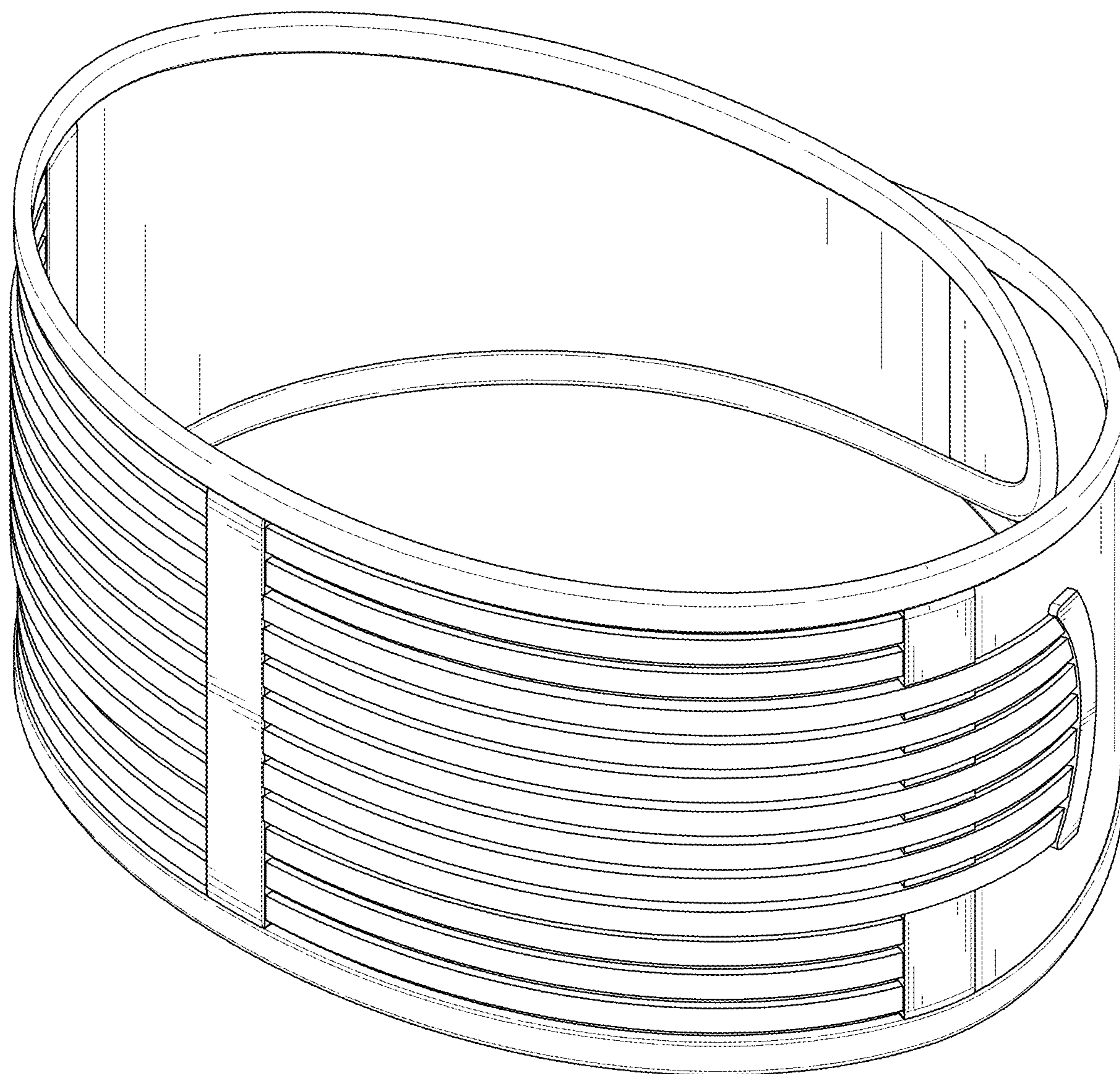


FIG. 9