



US00D884193S

(12) **United States Design Patent** (10) **Patent No.:** **US D884,193 S**
Robinson et al. (45) **Date of Patent:** **** May 12, 2020**

(54) **ULTRASOUND PROBE**
(71) Applicant: **KONINKLIJKE PHILIPS N.V.**,
Eindhoven (NL)
(72) Inventors: **Andrew Lee Robinson**, Bothell, WA
(US); **Susan Gay Heller**, Bothell, WA
(US); **Jeffrey Scott Hart**, Reedsville,
PA (US); **Xidong Chen**, Shanghai (CN)
(73) Assignee: **KONINKLIJKE PHILIPS N.V.**,
Eindhoven (NL)
(**) Term: **15 Years**
(21) Appl. No.: **29/641,644**
(22) Filed: **Mar. 23, 2018**
(51) **LOC (12) Cl.** **24-02**
(52) **U.S. Cl.**
USPC **D24/187**
(58) **Field of Classification Search**
USPC D24/133, 137, 138, 141, 158, 160, 164,
D24/165, 167, 170, 186, 187, 200;
D10/57, 60, 78, 80
CPC ... A61B 5/0095; A61B 8/4444; A61B 8/4455;
G01S 7/5208
See application file for complete search history.

D598,108 S * 8/2009 Hasegawa D24/186
D609,352 S * 2/2010 Kitayama D24/186
D634,849 S * 3/2011 Kanokogi D24/187
D679,021 S * 3/2013 Tani D24/187
D701,608 S * 3/2014 Baba D24/187
D703,820 S * 4/2014 Moon D24/187
D745,175 S * 12/2015 Kitayama D24/187
D791,330 S * 7/2017 Moon D24/187
D816,851 S * 5/2018 Asai D24/187

FOREIGN PATENT DOCUMENTS

CN 201830246121 * 5/2018

* cited by examiner

Primary Examiner — Susan Bennett Hattan

Assistant Examiner — Omeed Agilee

(57) **CLAIM**

The ornamental design of an ultrasound probe, as shown and described.

DESCRIPTION

FIG. 1 is an isometric view of an ultrasound probe of the present invention;
FIG. 2 is an enlarged isometric view thereof;
FIG. 3 is an enlarged right side view thereof;
FIG. 4 is an enlarged left side view thereof;
FIG. 5 is an enlarged front view thereof;
FIG. 6 is an enlarged rear view thereof;
FIG. 7 is an enlarged bottom view thereof; and,
FIG. 8 is an enlarged top view thereof.

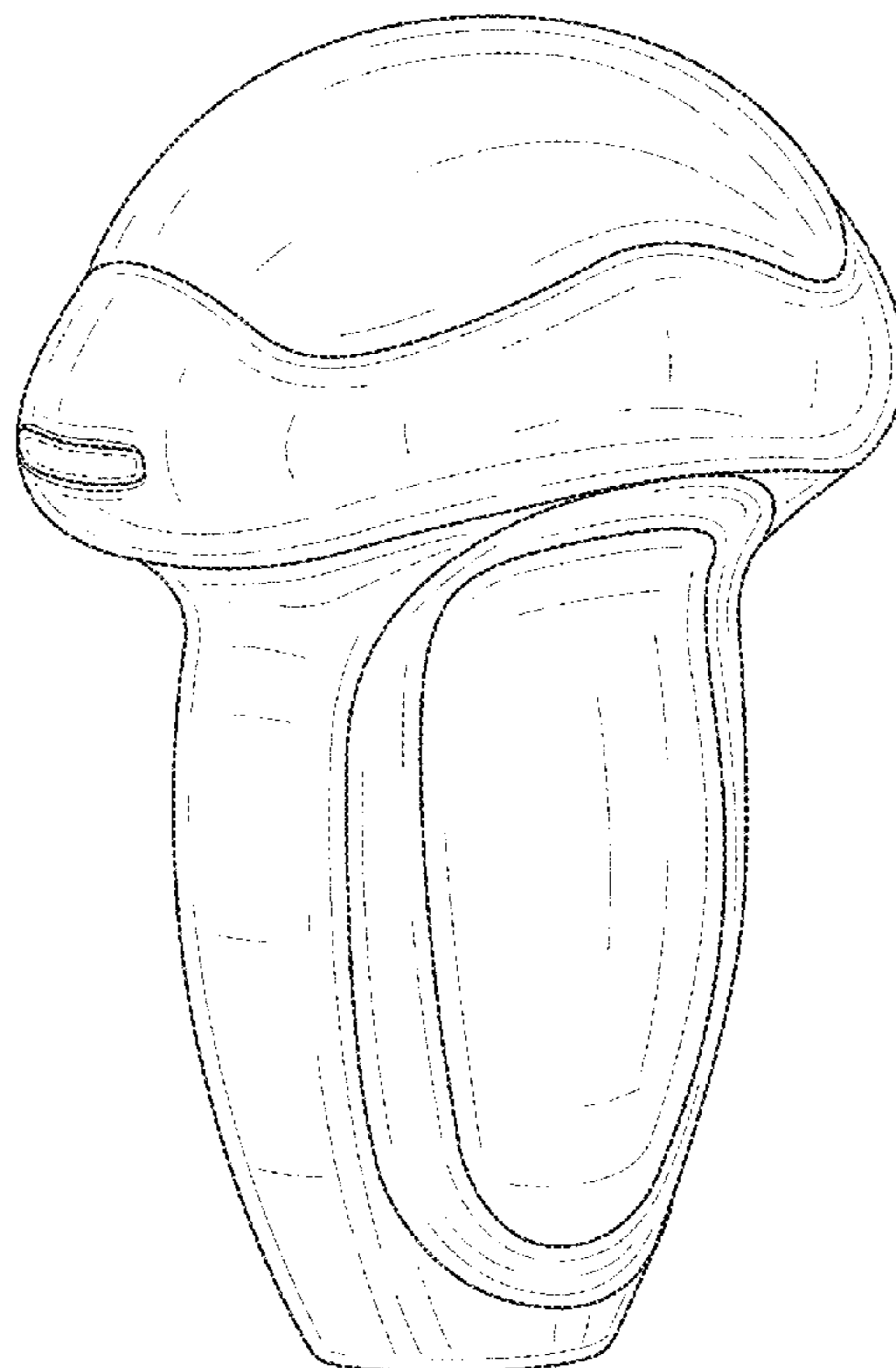
The broken lines in the drawing views are included for the purpose of illustrating portions of the ultrasound probe and form no part of the claimed design.

1 Claim, 7 Drawing Sheets

(56) **References Cited**

U.S. PATENT DOCUMENTS

D387,867 S * 12/1997 Henderson D24/187
D544,606 S * 6/2007 Hasegawa D24/186
D546,460 S * 7/2007 Hasegawa D24/186
D596,300 S * 7/2009 Han D24/186



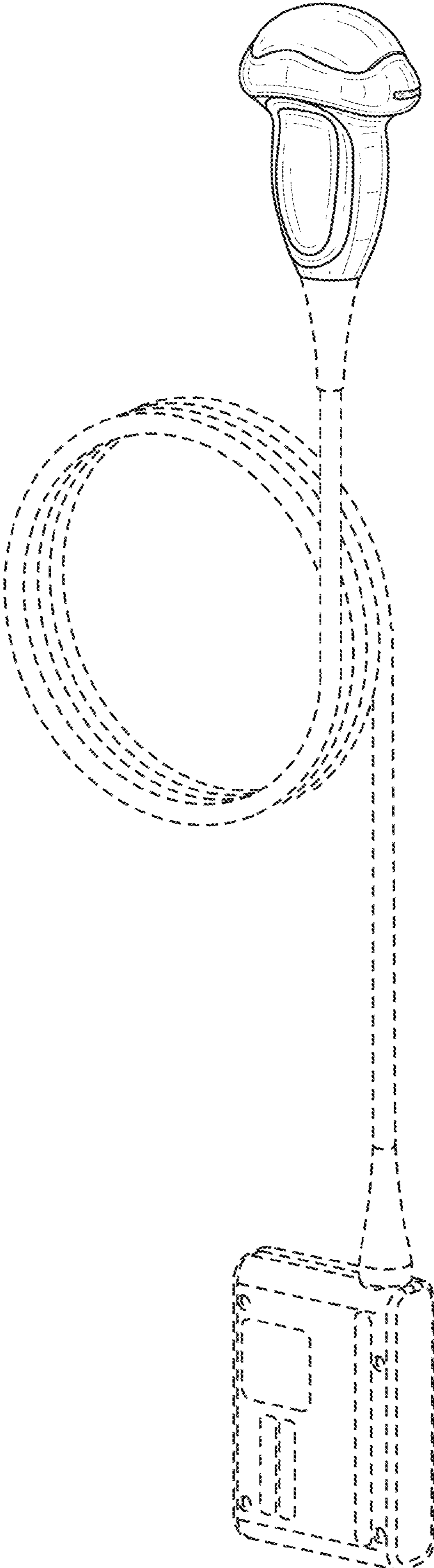


FIG. 1

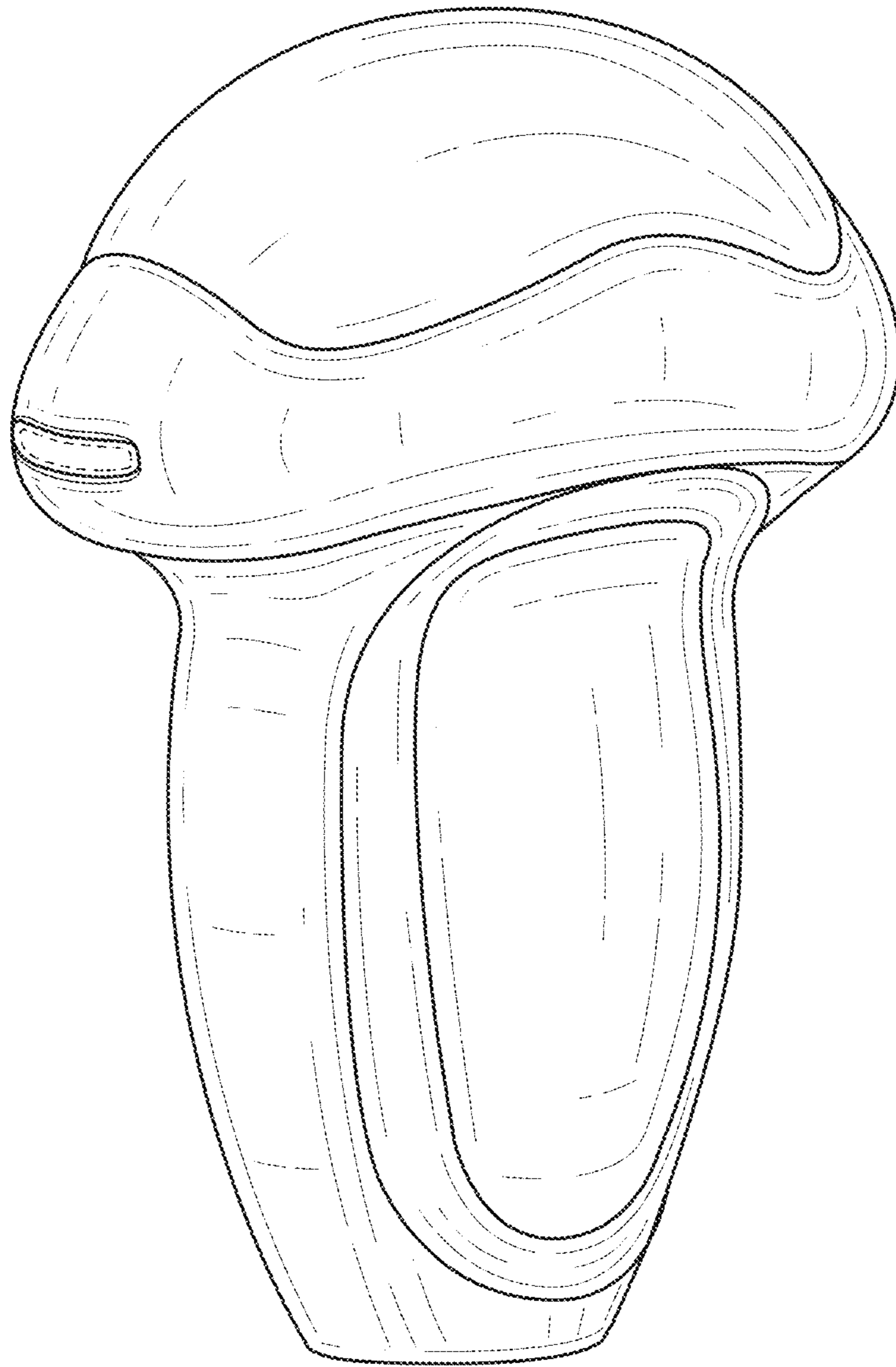


FIG. 2

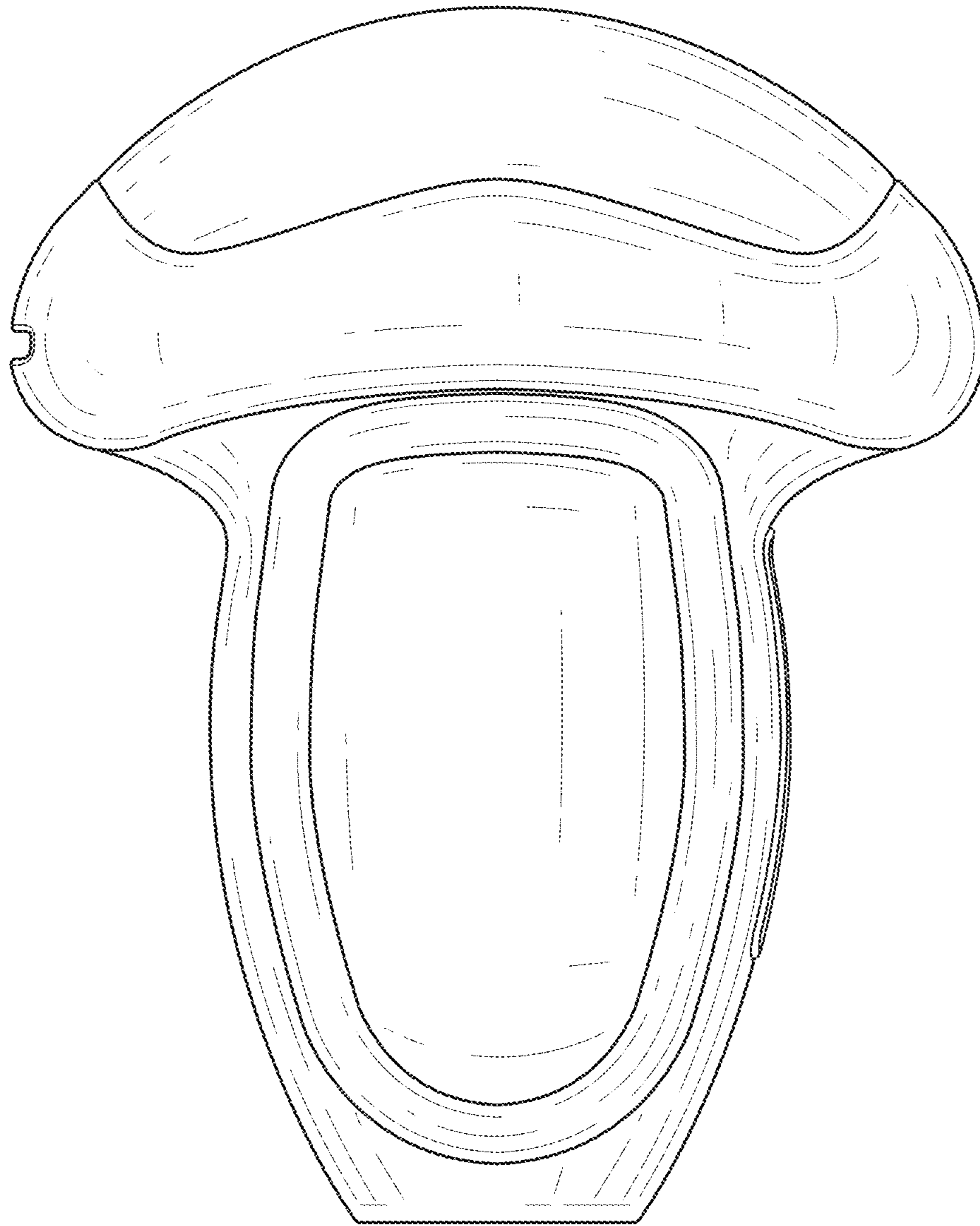


FIG. 3

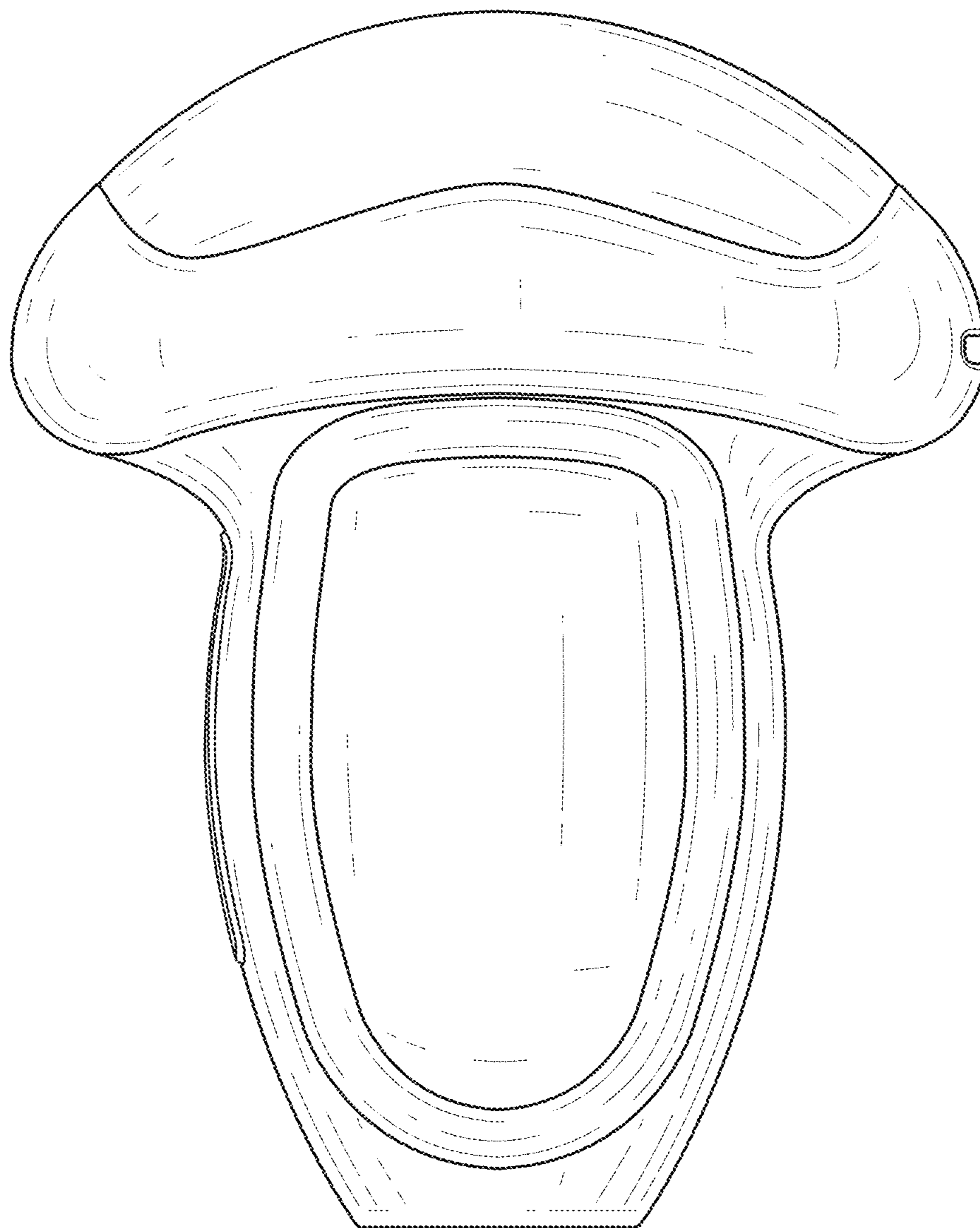


FIG. 4

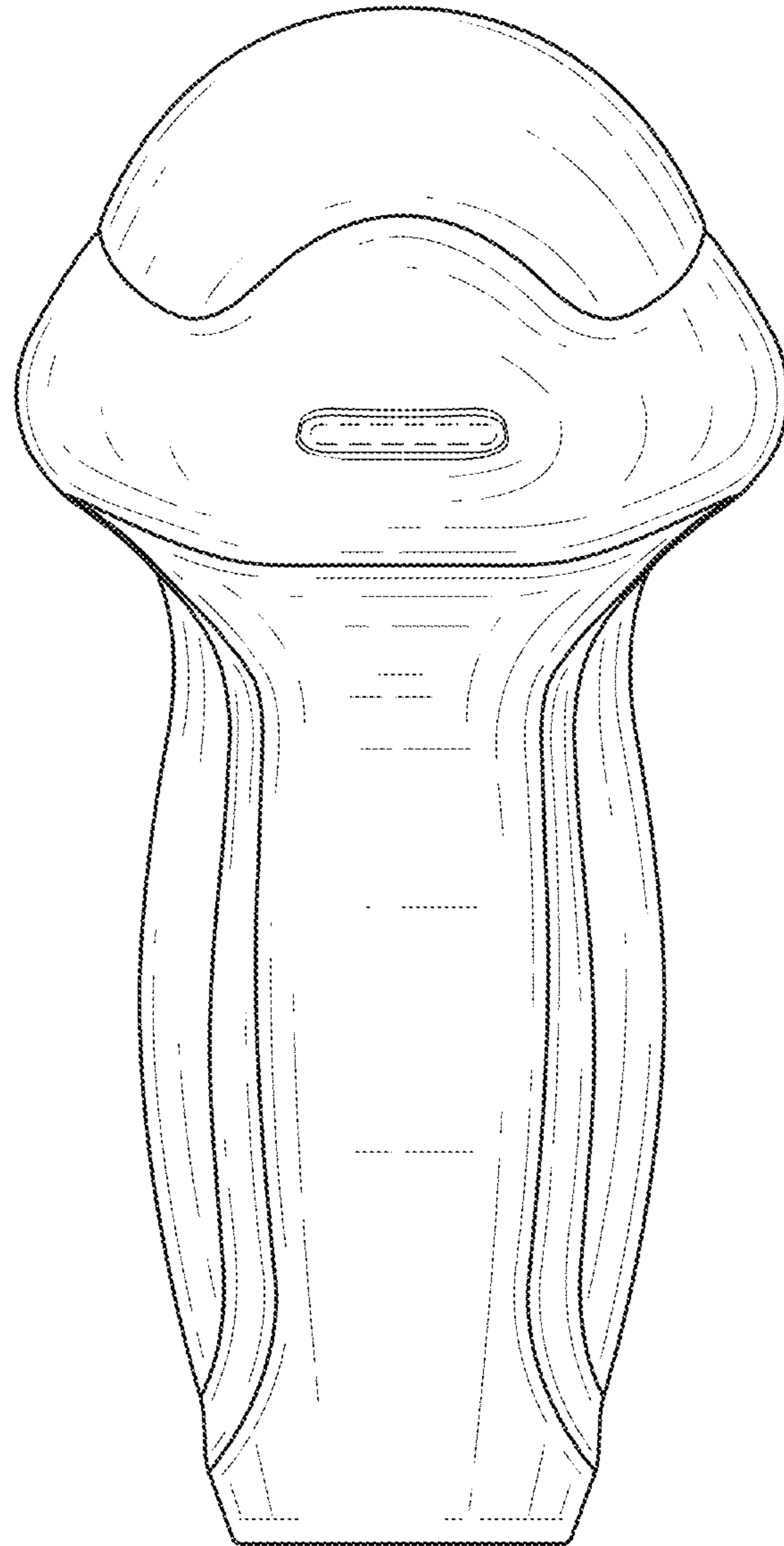


FIG. 5

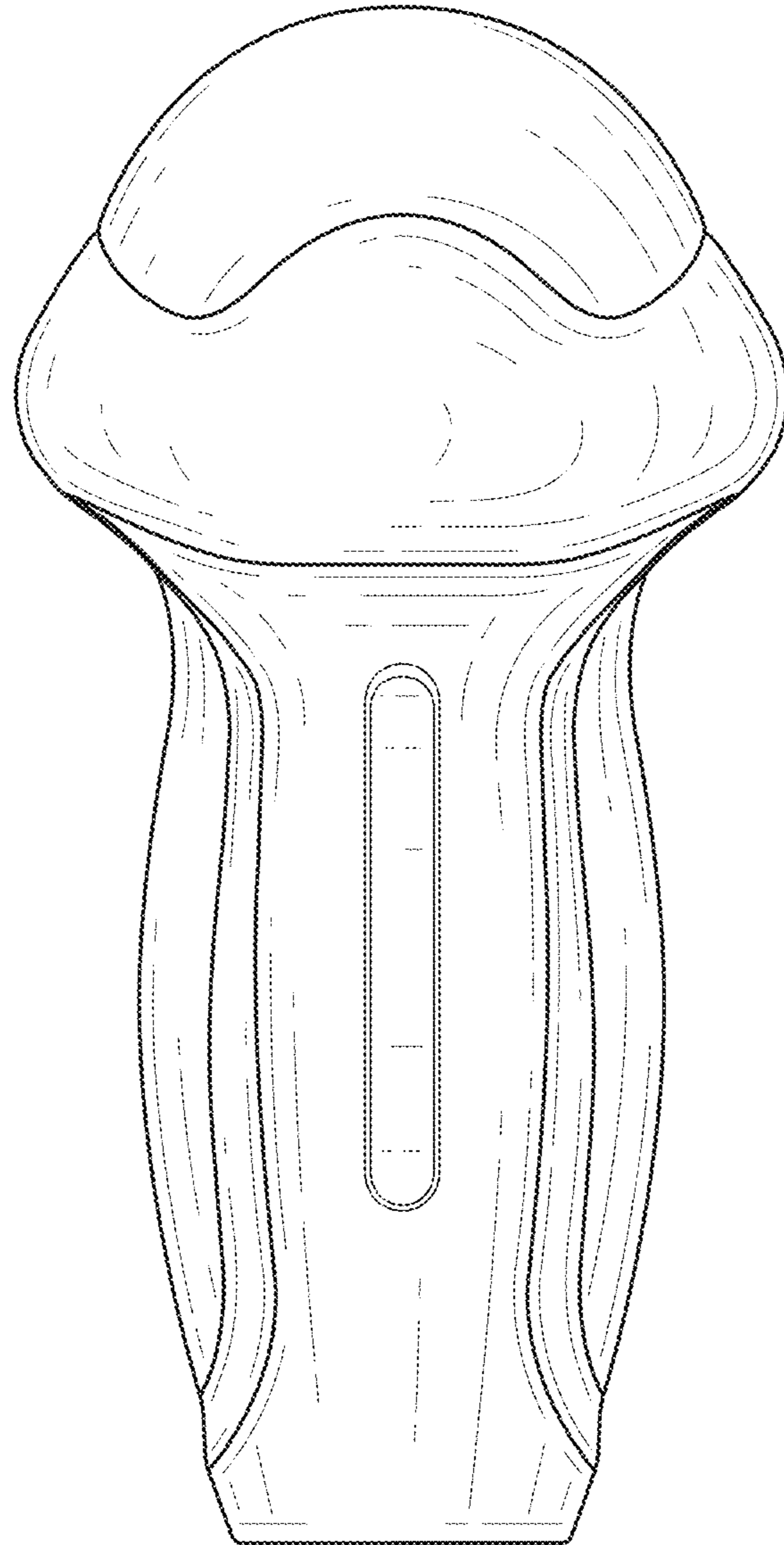


FIG. 6

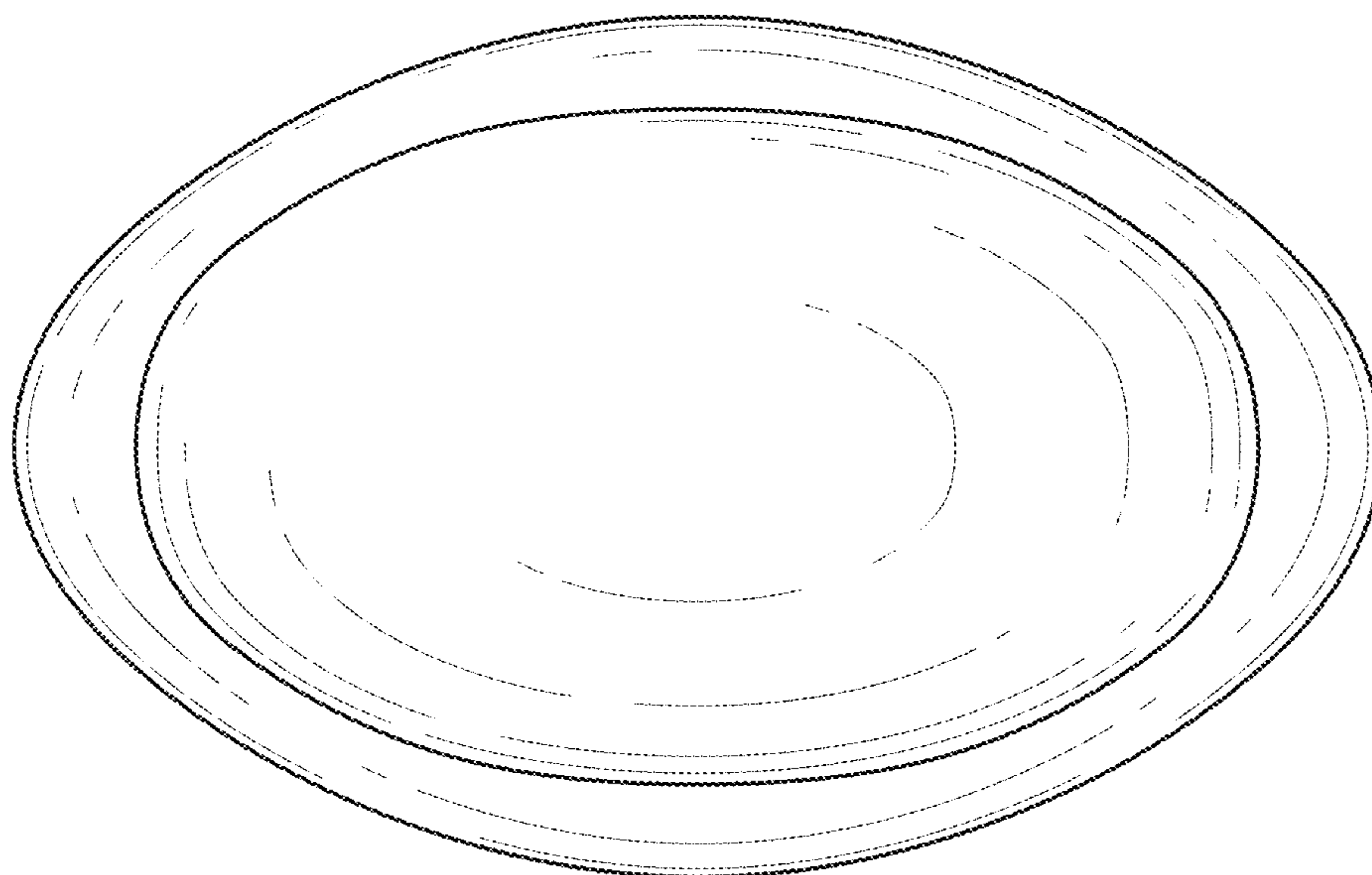


FIG. 7

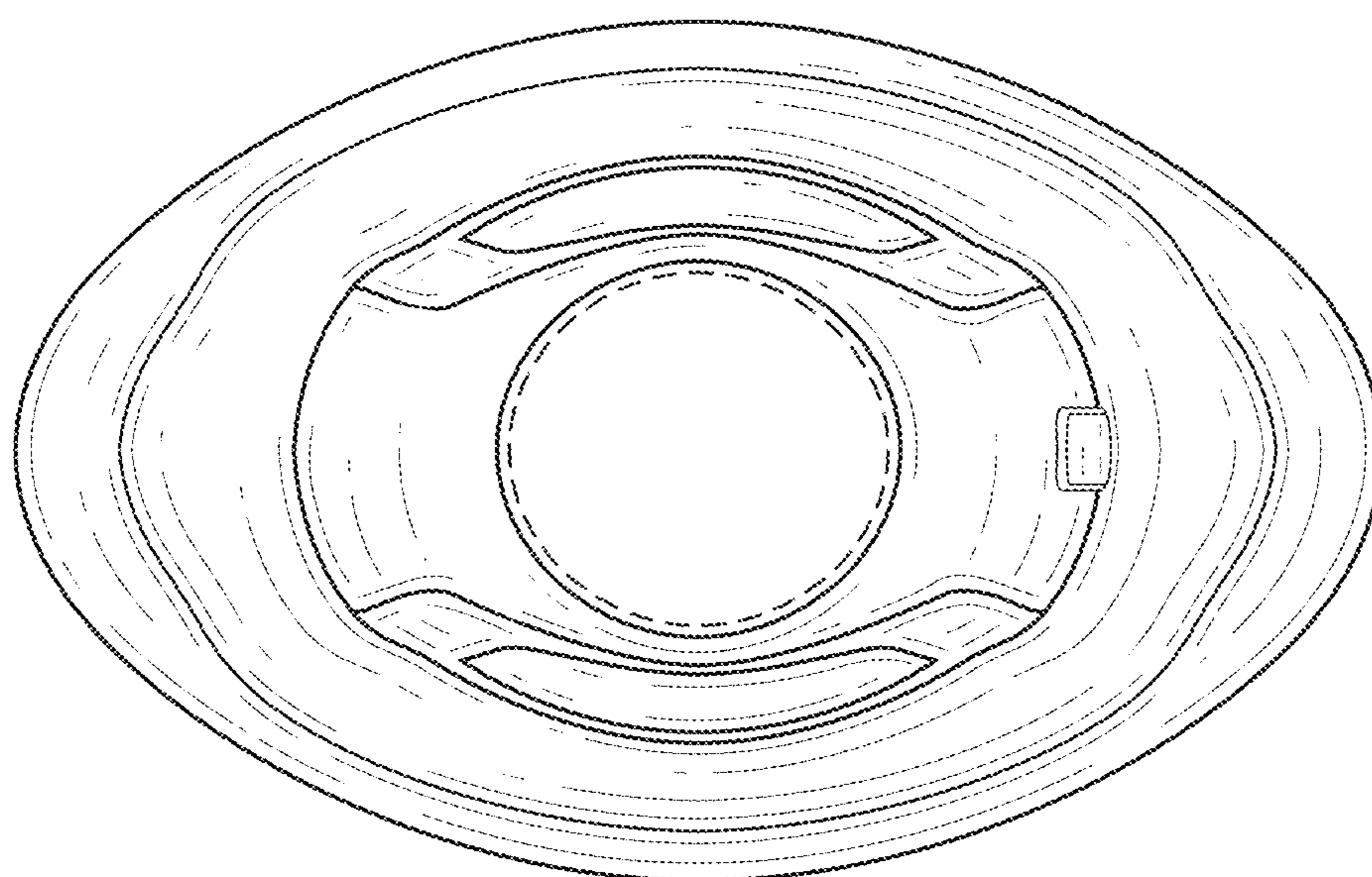


FIG. 8