



US00D884191S

(12) **United States Design Patent** (10) **Patent No.:** **US D884,191 S**
Köppel et al. (45) **Date of Patent:** **** May 12, 2020**

(54) **OPHTHALMOLOGIC APPARATUS**

(56) **References Cited**

(71) Applicant: **THIS AG**, Heerbrugg (CH)

U.S. PATENT DOCUMENTS

(72) Inventors: **Thomas Köppel**, Widnau (CH); **Marco Zünd**, Widnau (CH); **Markus Cafadér**, Brugg (CH); **Hanspeter Kersten**, Brugg (CH); **Raimund Erdmann**, Brugg (CH)

D352,106 S * 11/1994 Fanny D24/108
D434,502 S * 11/2000 Gallant D24/185
D492,997 S * 7/2004 DiStasio D24/158
D619,264 S * 7/2010 Livengood D24/185
D692,563 S * 10/2013 Naef D24/172
D699,852 S * 2/2014 Chung D24/158

(Continued)

(73) Assignee: **THIS AG**, Heerbrugg (CH)

Primary Examiner — Anhdao Doan

(**) Term: **15 Years**

Assistant Examiner — Mary Shannon Malley

(21) Appl. No.: **29/650,235**

(74) *Attorney, Agent, or Firm* — Nutter McClennen & Fish LLP

(22) Filed: **Jun. 5, 2018**

(57) **CLAIM**

The ornamental design for an ophthalmologic apparatus, as shown and described.

Related U.S. Application Data

DESCRIPTION

(62) Division of application No. 29/600,172, filed on Apr. 10, 2017, now Pat. No. Des. 872,284.

(30) **Foreign Application Priority Data**

Nov. 3, 2016 (CH) 1266901
Nov. 3, 2016 (EM) 1266901
Nov. 3, 2016 (LI) 1266901

This application is related to U.S. design application Ser. No. 29/600,176 entitled “Cassette for Ophthalmologic Apparatus”.

This application is related to U.S. design application Ser. No. 29/600,184 entitled “Pedal for Ophthalmologic Apparatus”.

(51) **LOC (12) Cl.** **24-01**

(52) **U.S. Cl.**
USPC **D24/185; D24/172**

(58) **Field of Classification Search**
USPC D24/107–108, 128, 144, 150, 158, 160, D24/169, 172, 184–186, 234; 600/4, 5, 600/6, 22, 65, 67, 27
CPC A61F 9/007; A61F 9/00745; A61F 9/008; A61B 50/13; A61B 50/10; A61B 5/742; A61B 2017/00017; A61B 2017/00199; A61B 2560/0431; A61B 2560/0437; A61B 2560/0443

FIG. 1 is a right-front perspective view of an ophthalmologic apparatus in accordance with the present invention.

FIG. 2 is a right-rear perspective view thereof.

FIG. 3 is a left-rear perspective view thereof.

FIG. 4 is a left-front perspective view thereof.

FIG. 5 is a right elevation view thereof;

FIG. 6 is a front elevation view thereof.

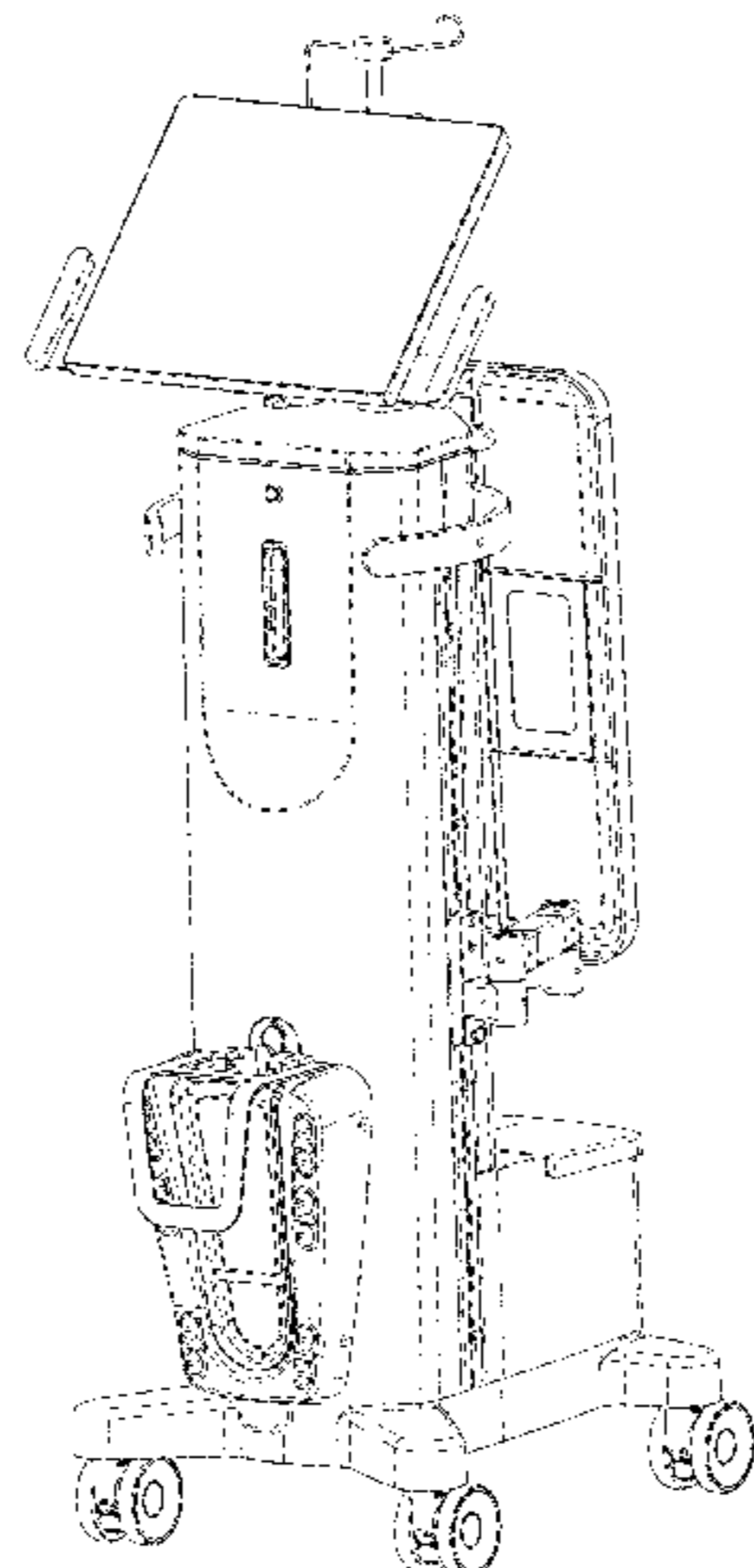
FIG. 7 is a left elevation view thereof;

FIG. 8 is a rear elevation view thereof; and,

FIG. 9 is a top view thereof.

See application file for complete search history.

(Continued)



The broken lines depict portions of the ophthalmologic apparatus that form no part of the claimed design.

1 Claim, 9 Drawing Sheets

(56)

References Cited

U.S. PATENT DOCUMENTS

8,939,927 B2 *	1/2015	Sorensen	A61F 9/00745
				604/35
D735,868 S *	8/2015	Mareguddi	D24/185
D752,231 S *	3/2016	Halter	D24/185
D781,411 S *	3/2017	Polaniec	D24/107
9,681,982 B2 *	6/2017	Yacono	A61F 9/00745

* cited by examiner

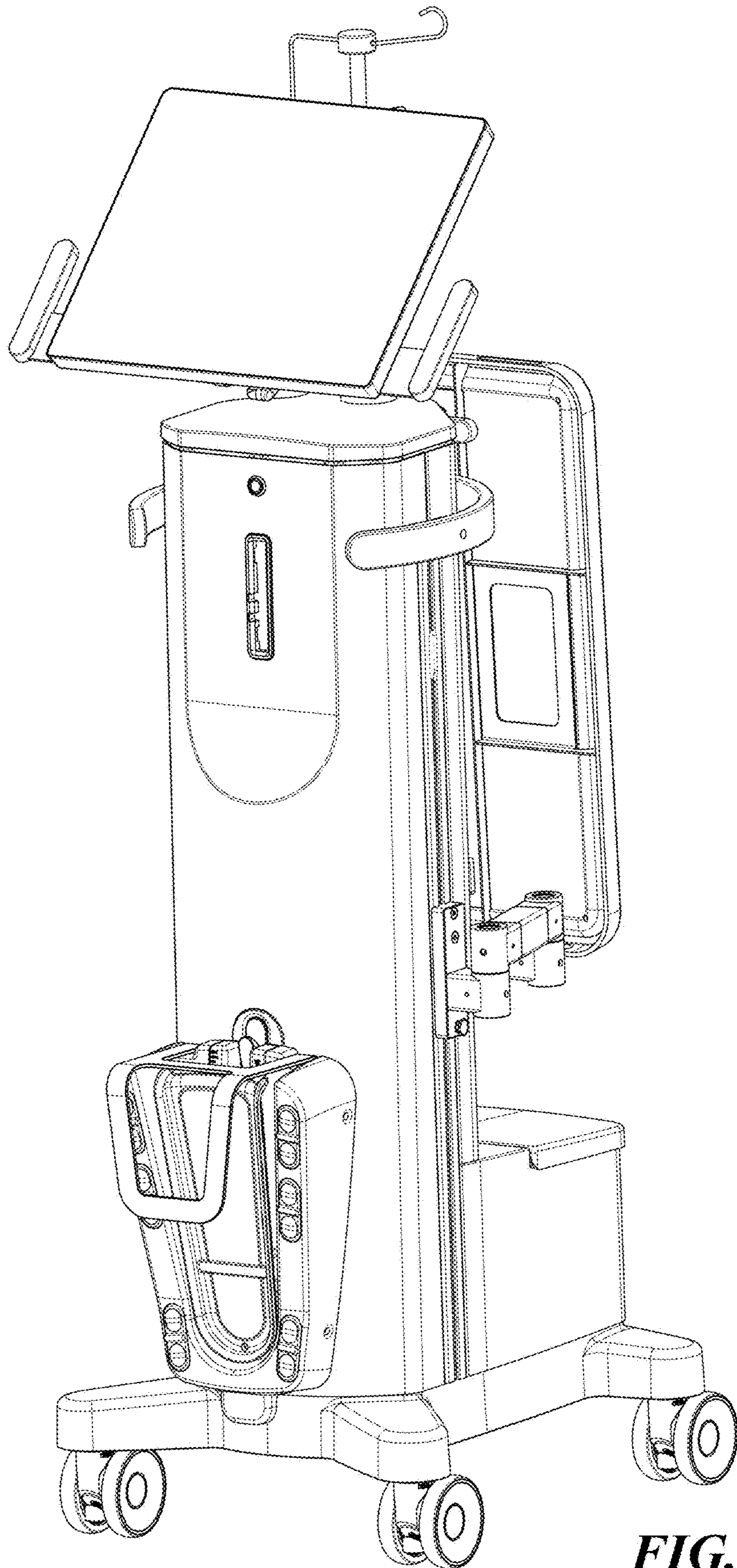


FIG. 1

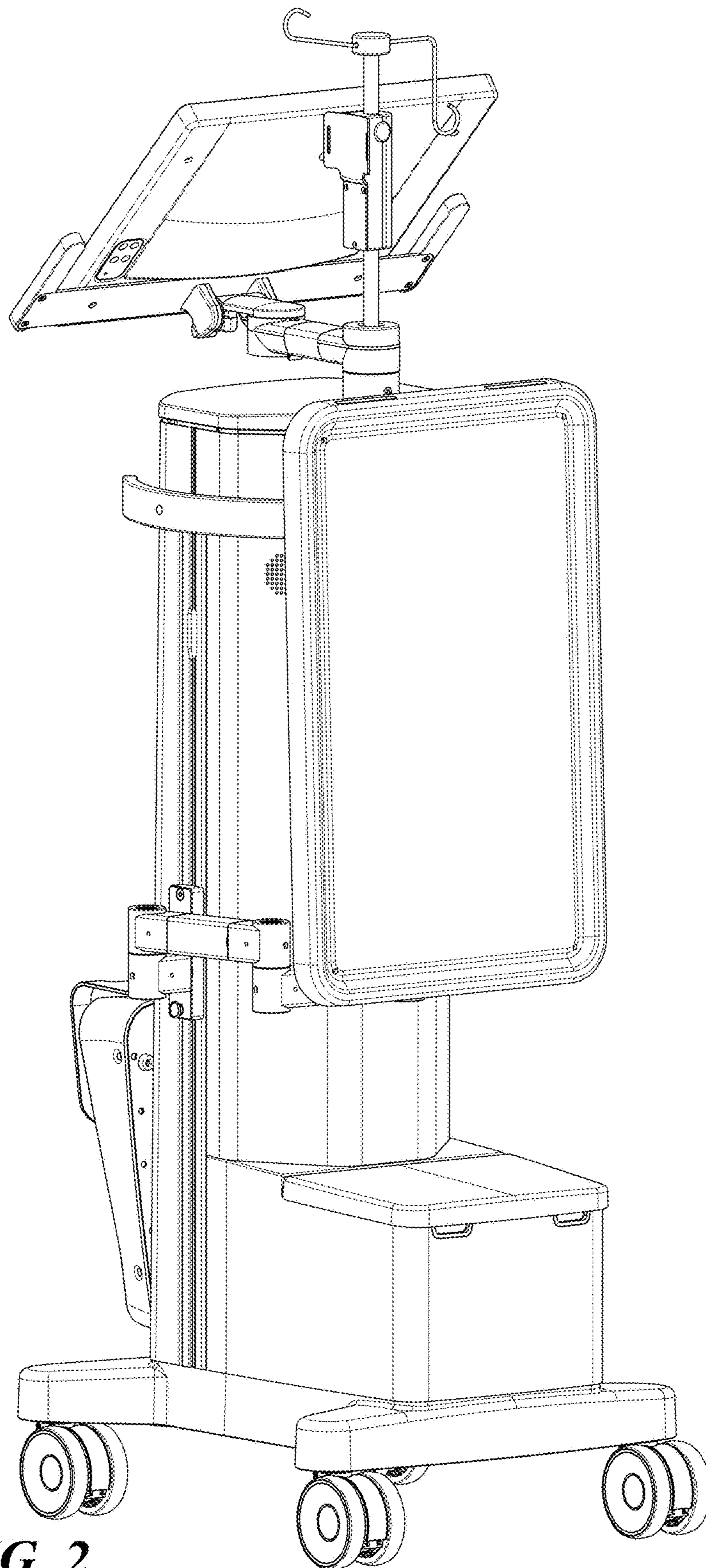


FIG. 2

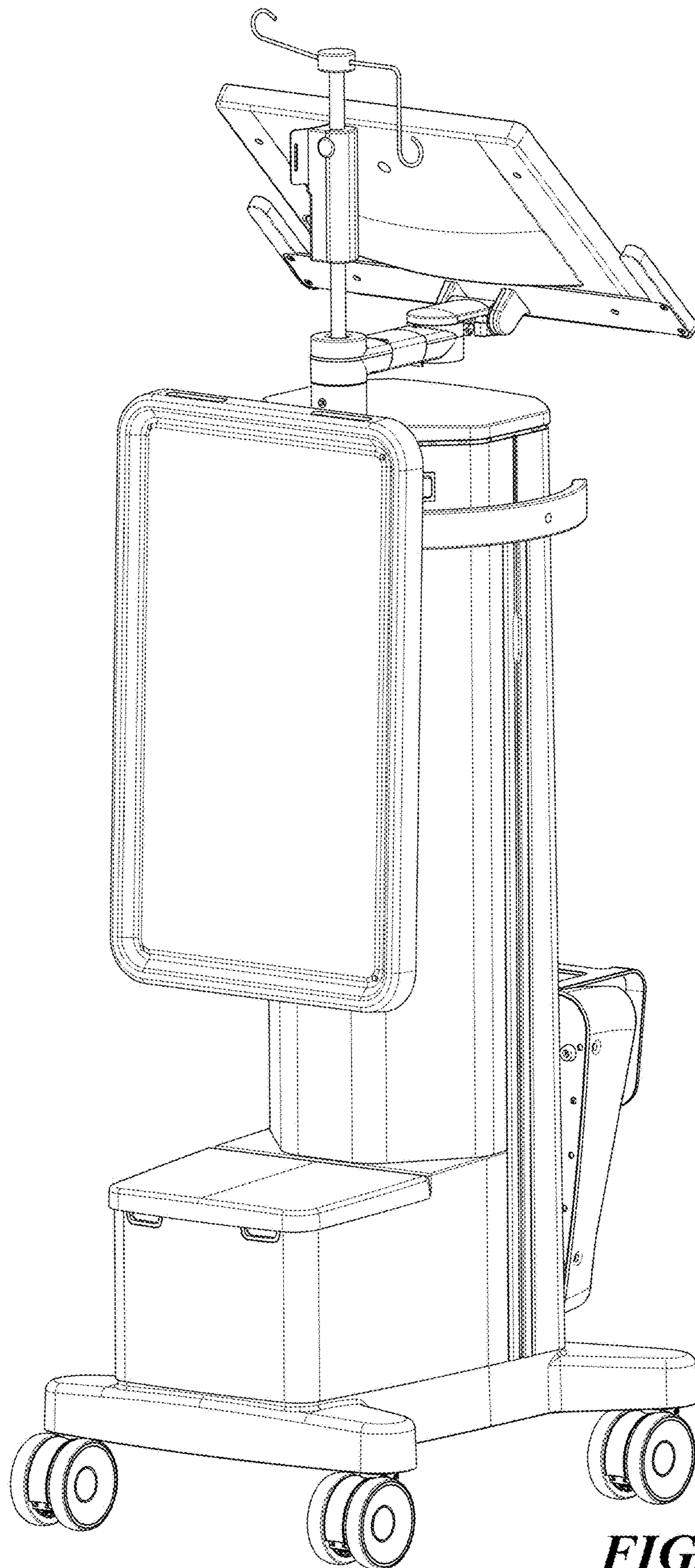


FIG. 3

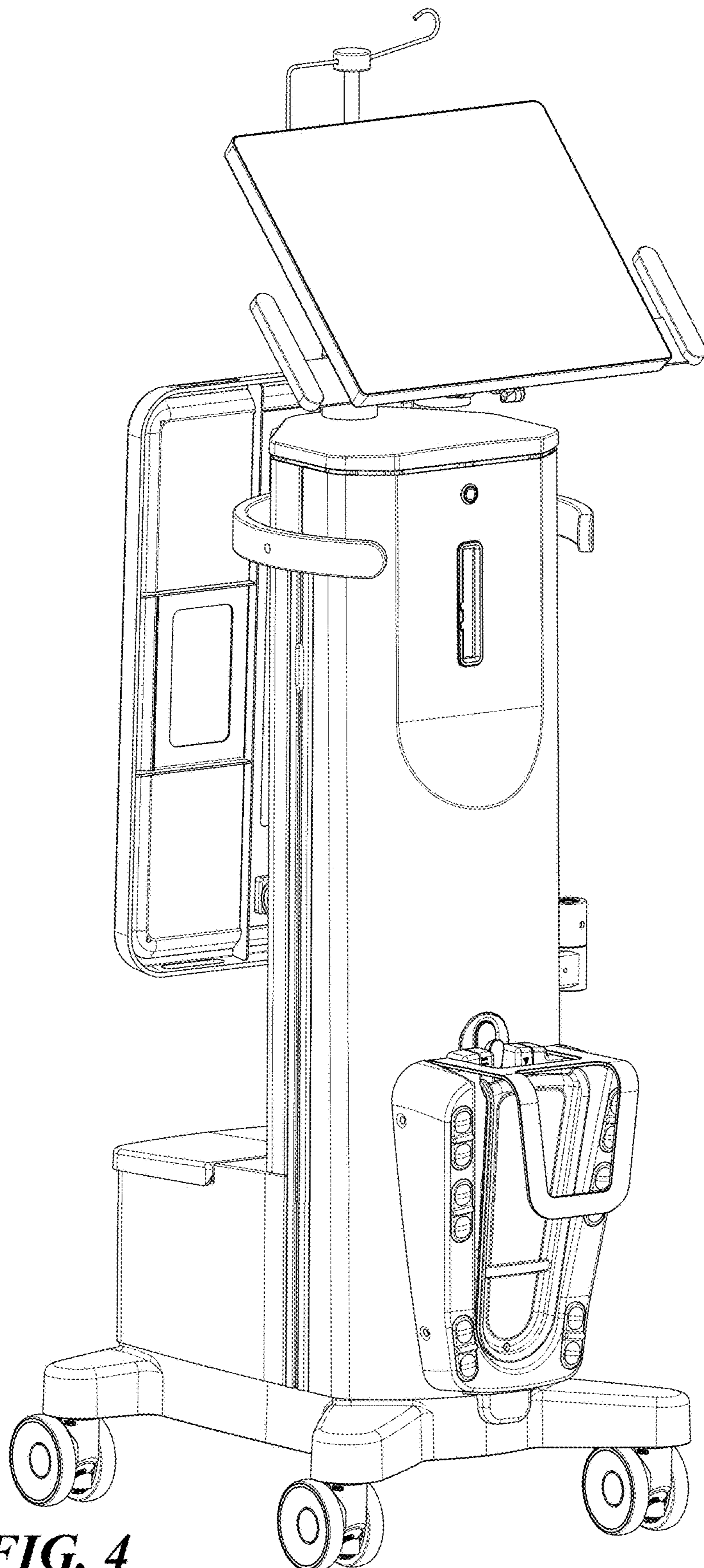


FIG. 4

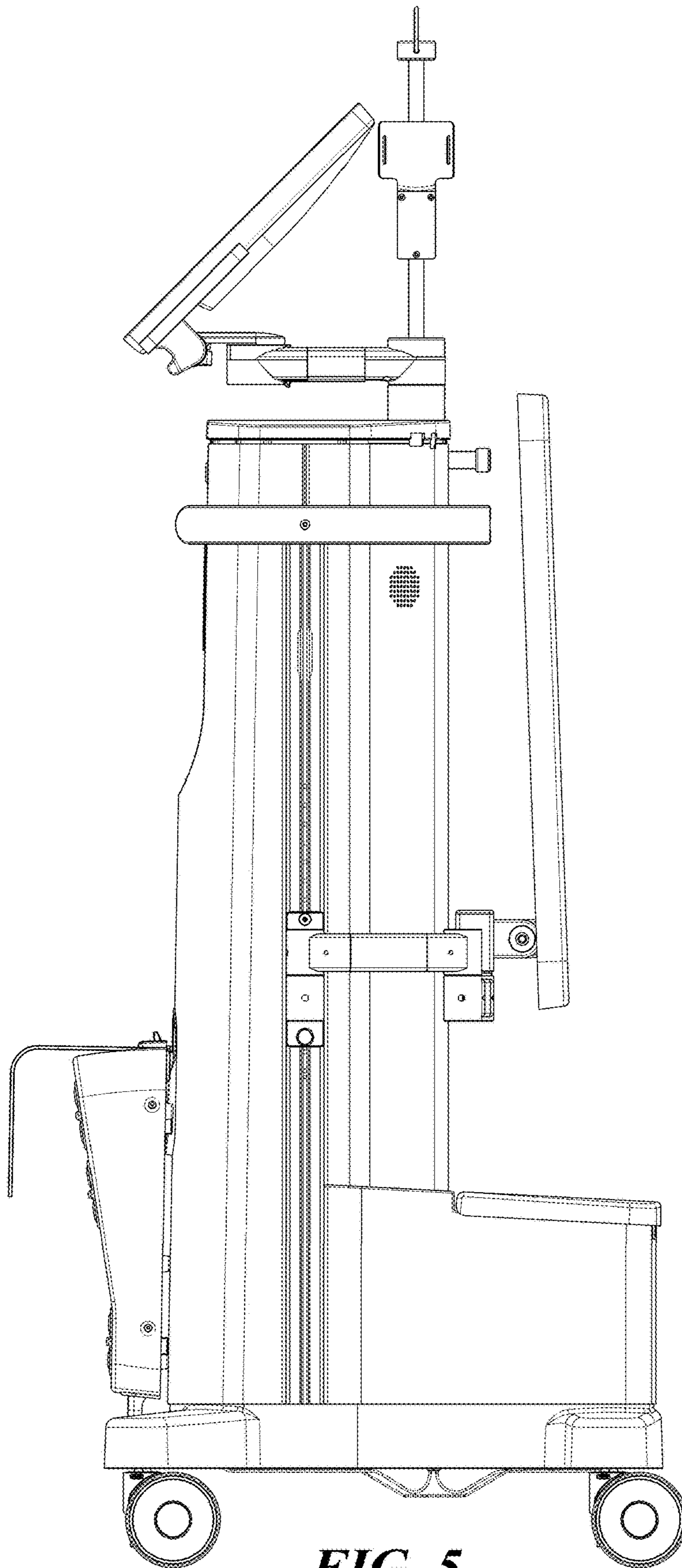


FIG. 5

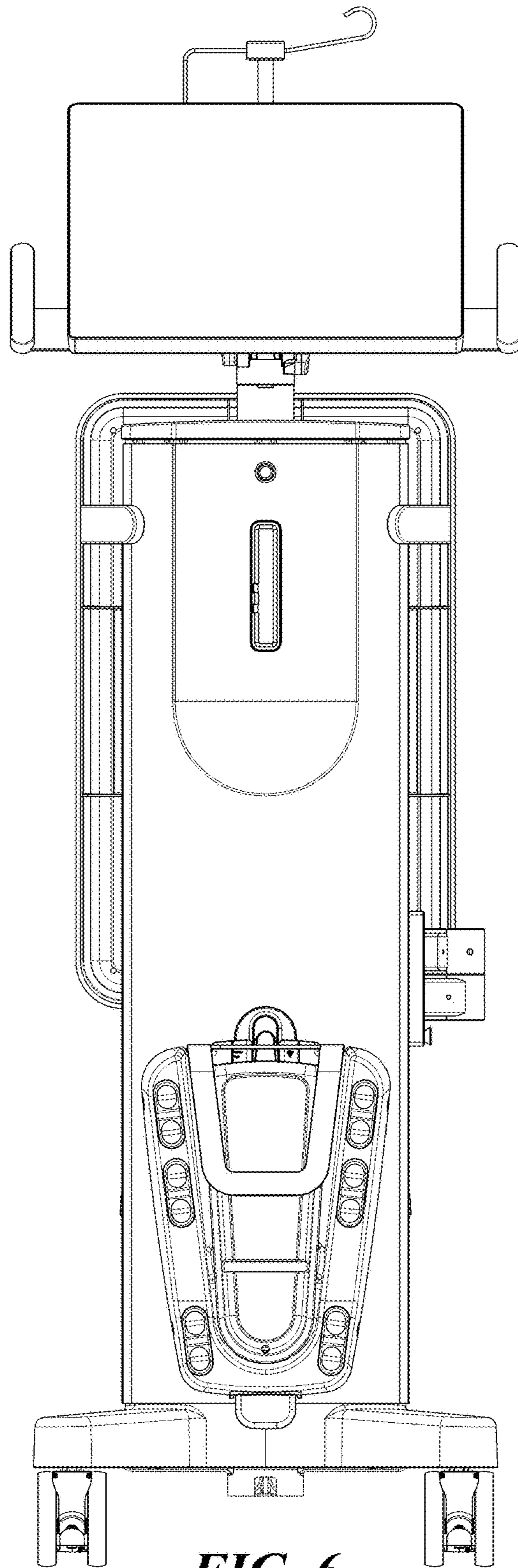


FIG. 6

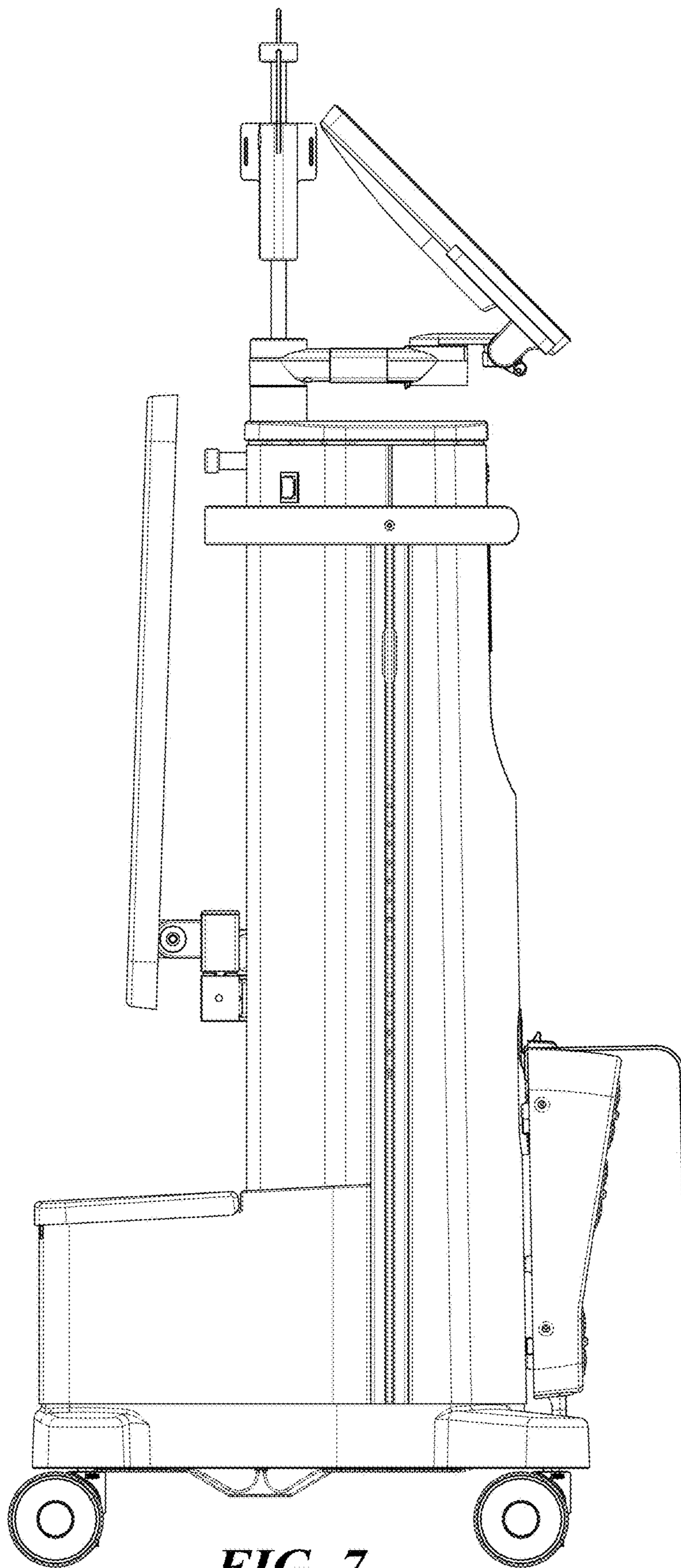


FIG. 7

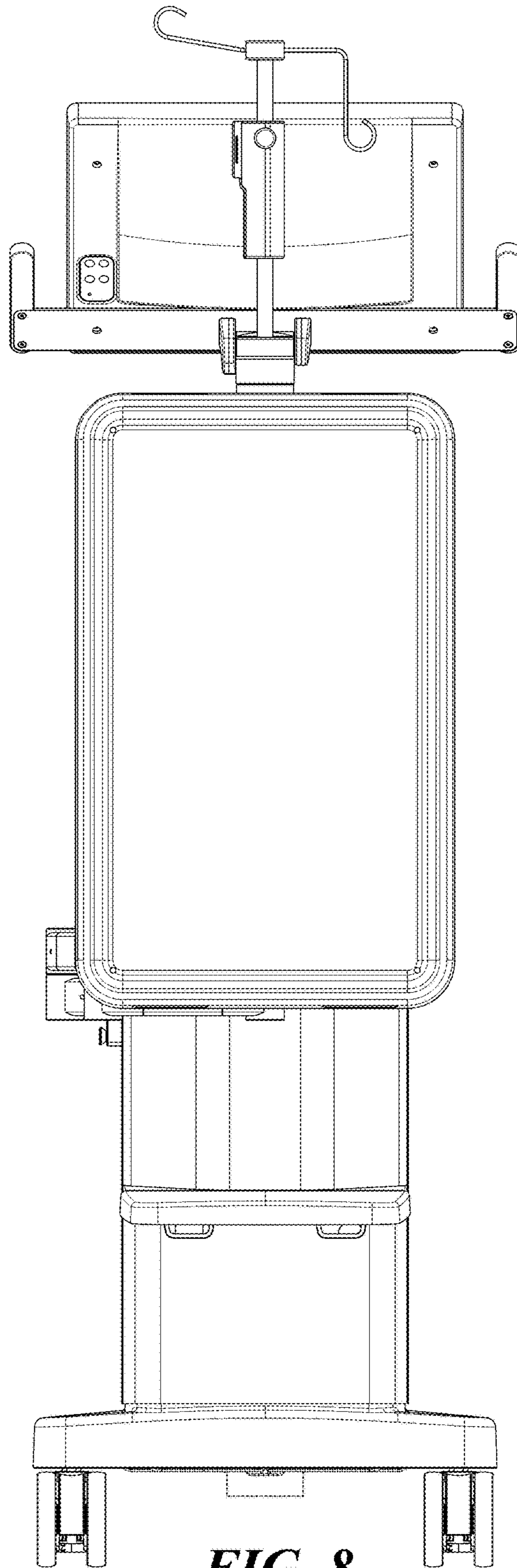


FIG. 8

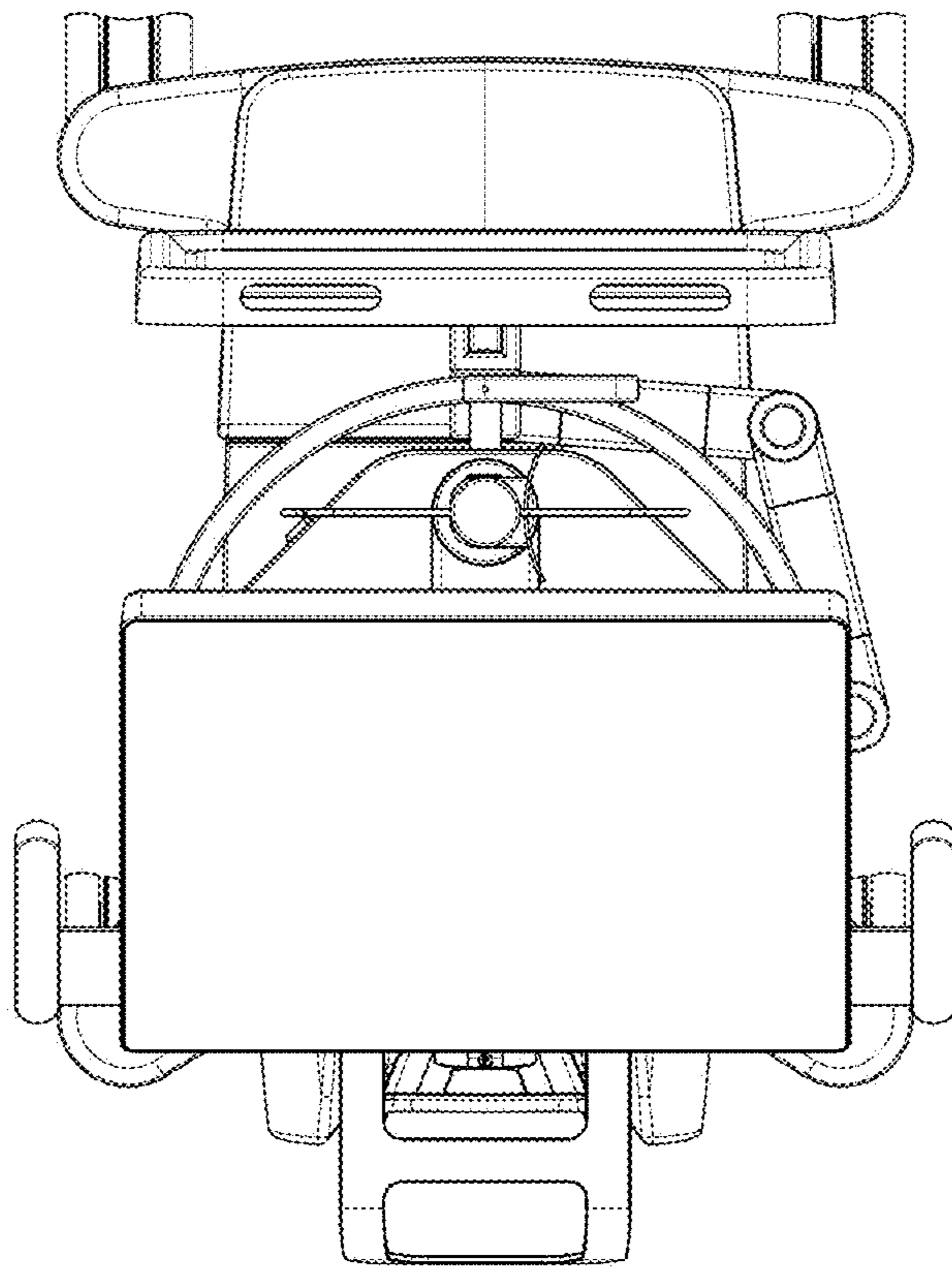


FIG. 9