



US00D884187S

(12) **United States Design Patent** (10) **Patent No.:** **US D884,187 S**
Robert et al. (45) **Date of Patent:** **** May 12, 2020**

(54) **RESPIRATORY VENTILATOR**
(71) Applicant: **KONINKLIJKE PHILIPS N.V.**,
Eindhoven (NL)
(72) Inventors: **Maestro Robert**, Bothell, WA (US);
Eric Grant Halsne, Kenmore, WA
(US)

D513,074 S * 12/2005 Nakamura D24/164
D693,005 S * 11/2013 Nawata D24/164
D699,356 S * 2/2014 Patil D24/164
D702,353 S * 4/2014 Fujimoto D24/164
D729,936 S * 5/2015 Reback D24/164
D735,865 S * 8/2015 Nishimura D24/164
D808,017 S * 1/2018 Ito D24/164
D809,143 S * 1/2018 Long D24/164

(73) Assignee: **KONINKLIJKE PHILIPS N.V.**,
Eindhoven (NL)

(**) Term: **15 Years**

(21) Appl. No.: **35/504,748**

(22) Filed: **Oct. 19, 2017**

(80) **Hague Agreement Data**

Int. Filing Date: **Oct. 19, 2017**
Int. Reg. No.: **DM/099987**
Int. Reg. Date: **Oct. 19, 2017**
Int. Reg. Pub. Date: **Apr. 20, 2018**

(51) **LOC (12) Cl.** **24-02**

(52) **U.S. Cl.**
USPC **D24/164**

(58) **Field of Classification Search**
USPC D24/164, 107, 110, 111, 186, 232;
D14/126, 129, 507, 510; D8/367, 372
CPC A61M 16/0051; A61M 2016/00; A61M
2016/0003; A61M 2016/0027; B60D
1/06; B60D 1/28; B60D 1/187
See application file for complete search history.

(56) **References Cited**

U.S. PATENT DOCUMENTS

D412,577 S * 8/1999 Mickelson D24/164
D471,982 S * 3/2003 Cheng D24/164

OTHER PUBLICATIONS

www.usa.phillips.com, Respironics Trilogy 202 Ventilator, avail-
able since 2010, online product page, retrieved May 6, 2019 from
(Year: 2019).*
OpenPR, World Mechanical Ventilators World Market 2018 Vol-
ume, Jul. 2018, Press release, retrieved May 6, 2019 from (Year:
2018).*

* cited by examiner

Primary Examiner — Jeffrey D Asch
Assistant Examiner — Calvin E Vansant

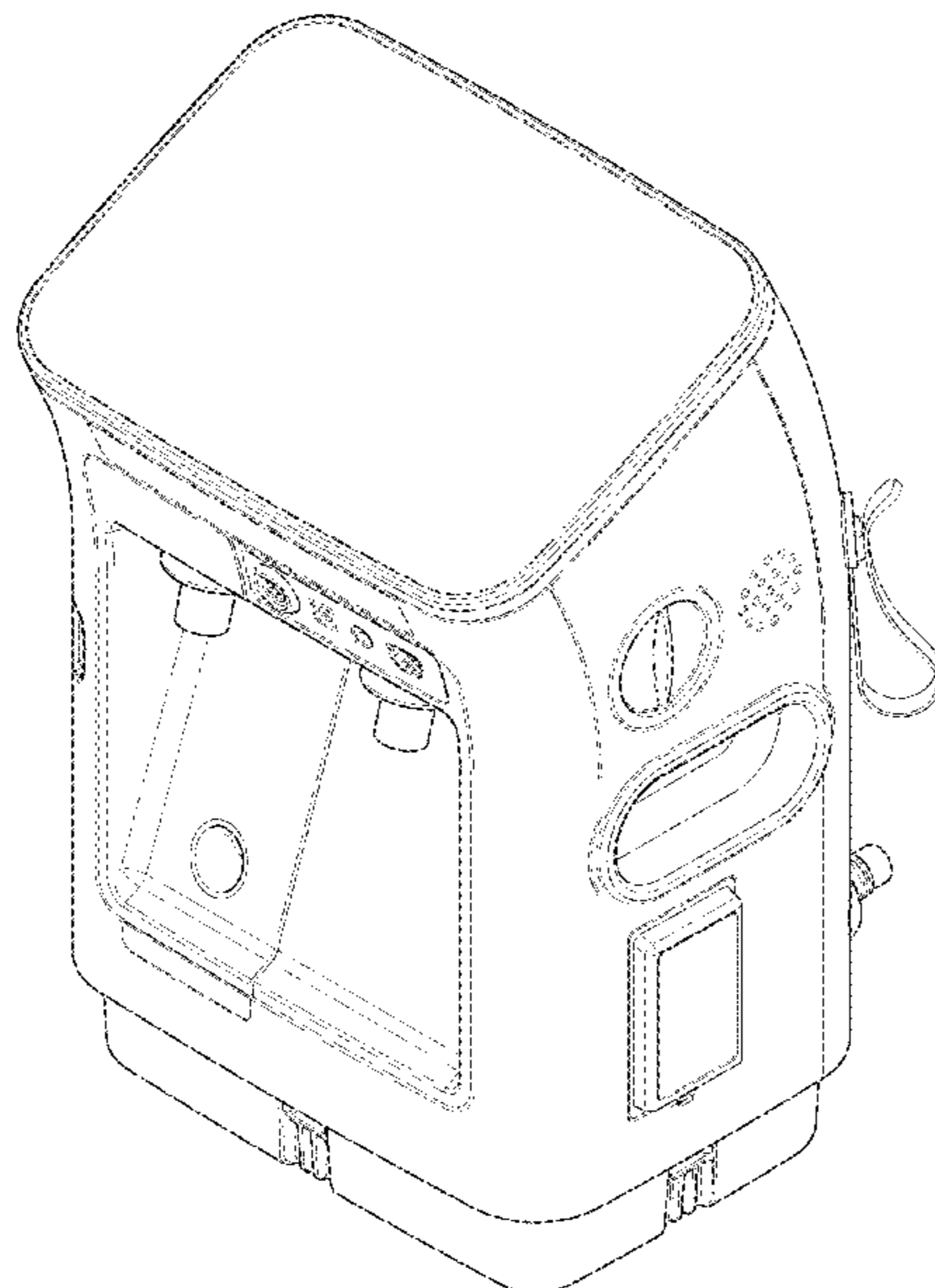
(57) **CLAIM**

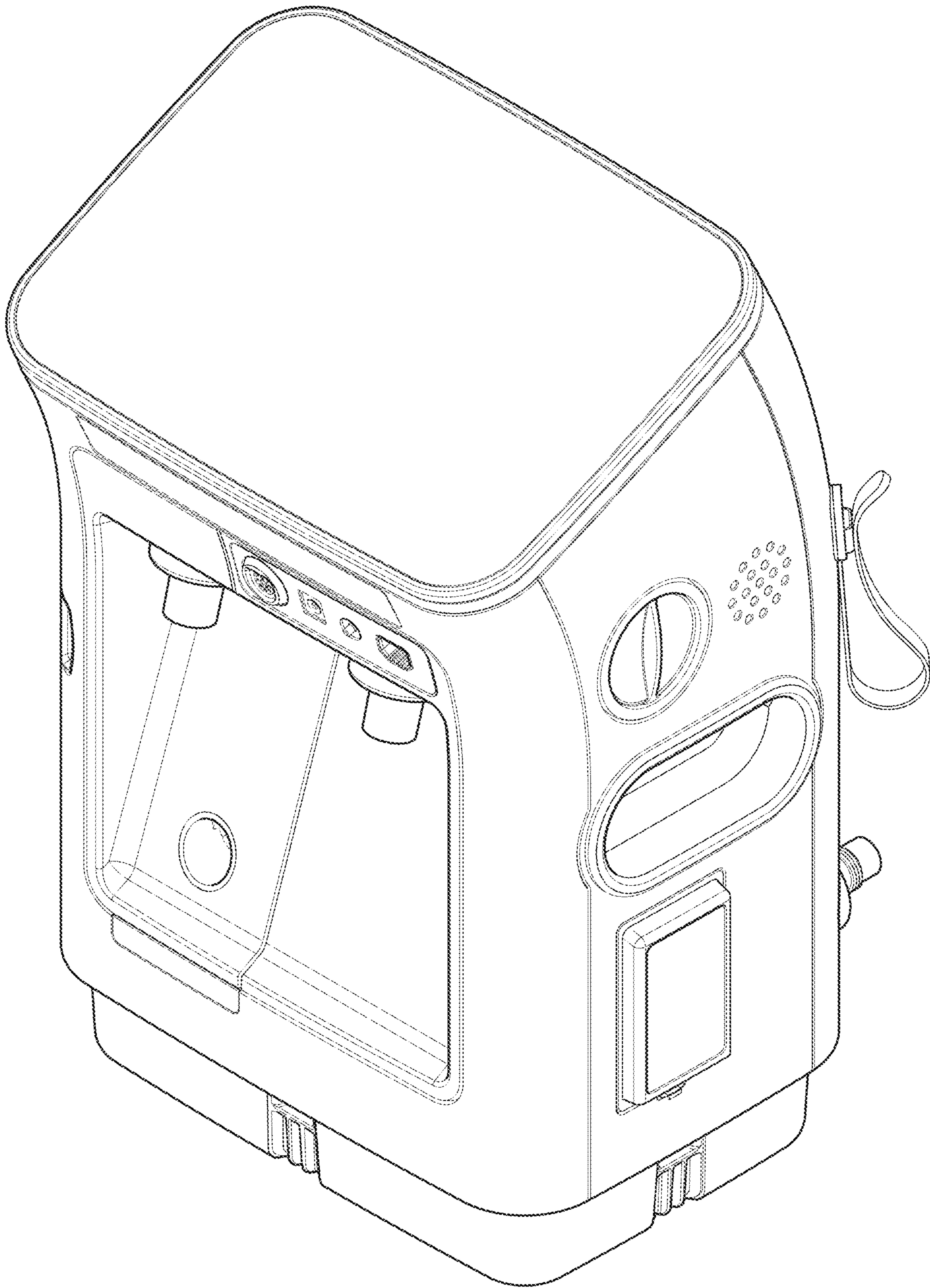
The ornamental design for a respiratory ventilator, as shown
and described.

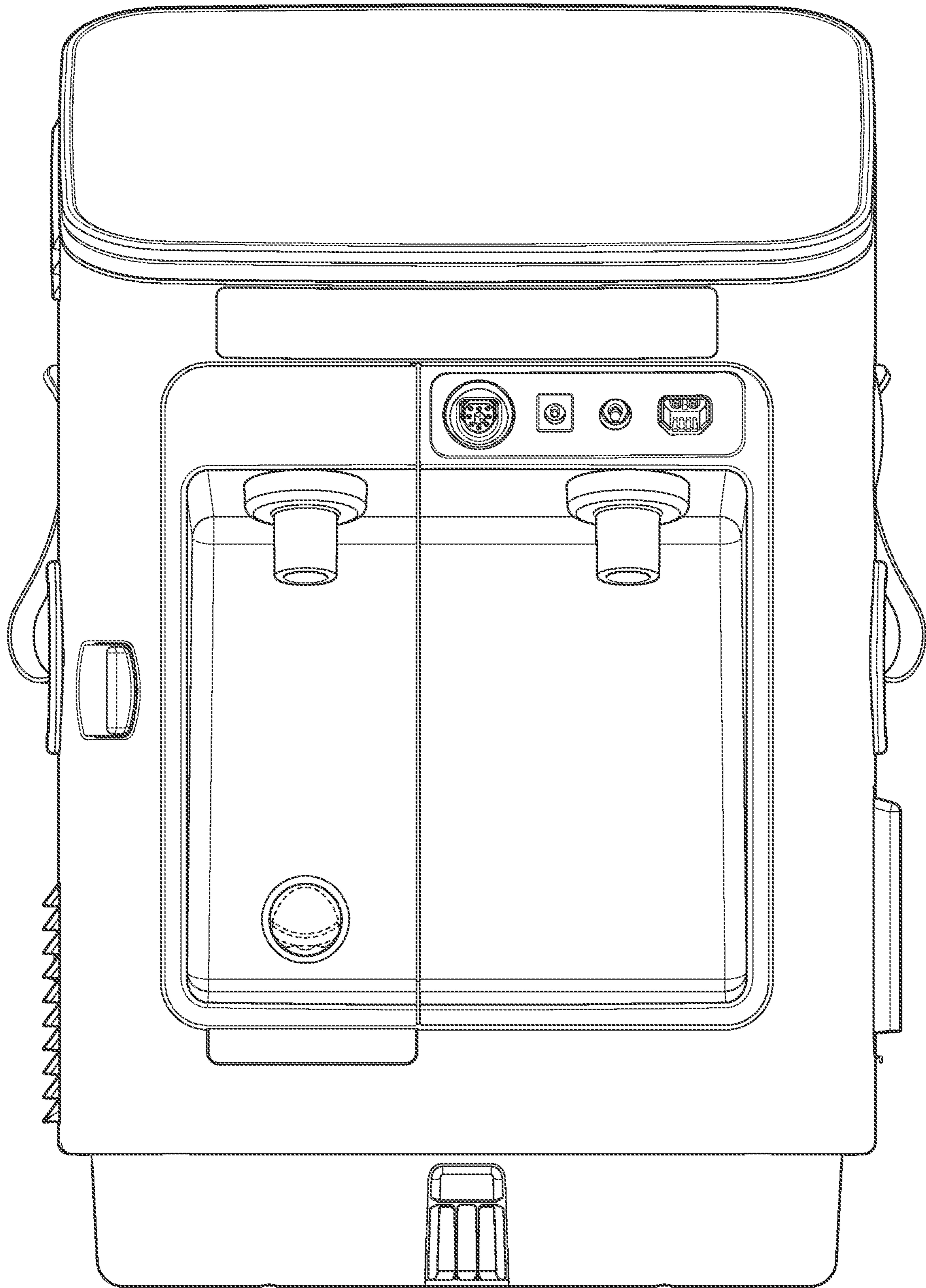
DESCRIPTION

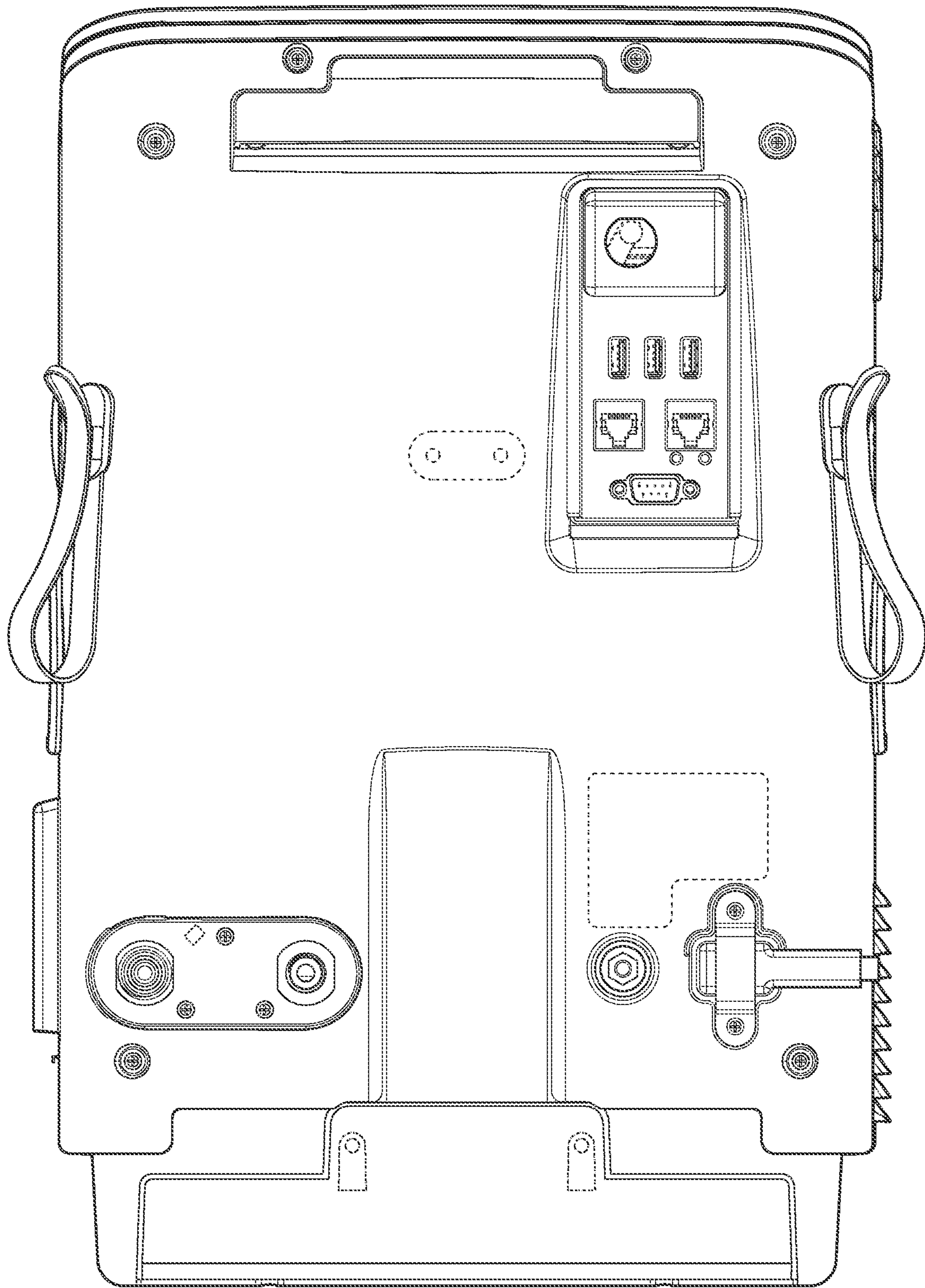
1.1 is a perspective view of a respiratory ventilator showing
our design;
1.2 is a front elevational view thereof;
1.3 is a rear elevational view thereof;
1.4 is a left side elevational view thereof;
1.5 is a right side elevation view thereof;
1.6 is a top plan view thereof; and
1.7 is a bottom plan view thereof.
The broken lines in the drawings illustrate portions of the
respiratory ventilator that form no part of the claimed
design.

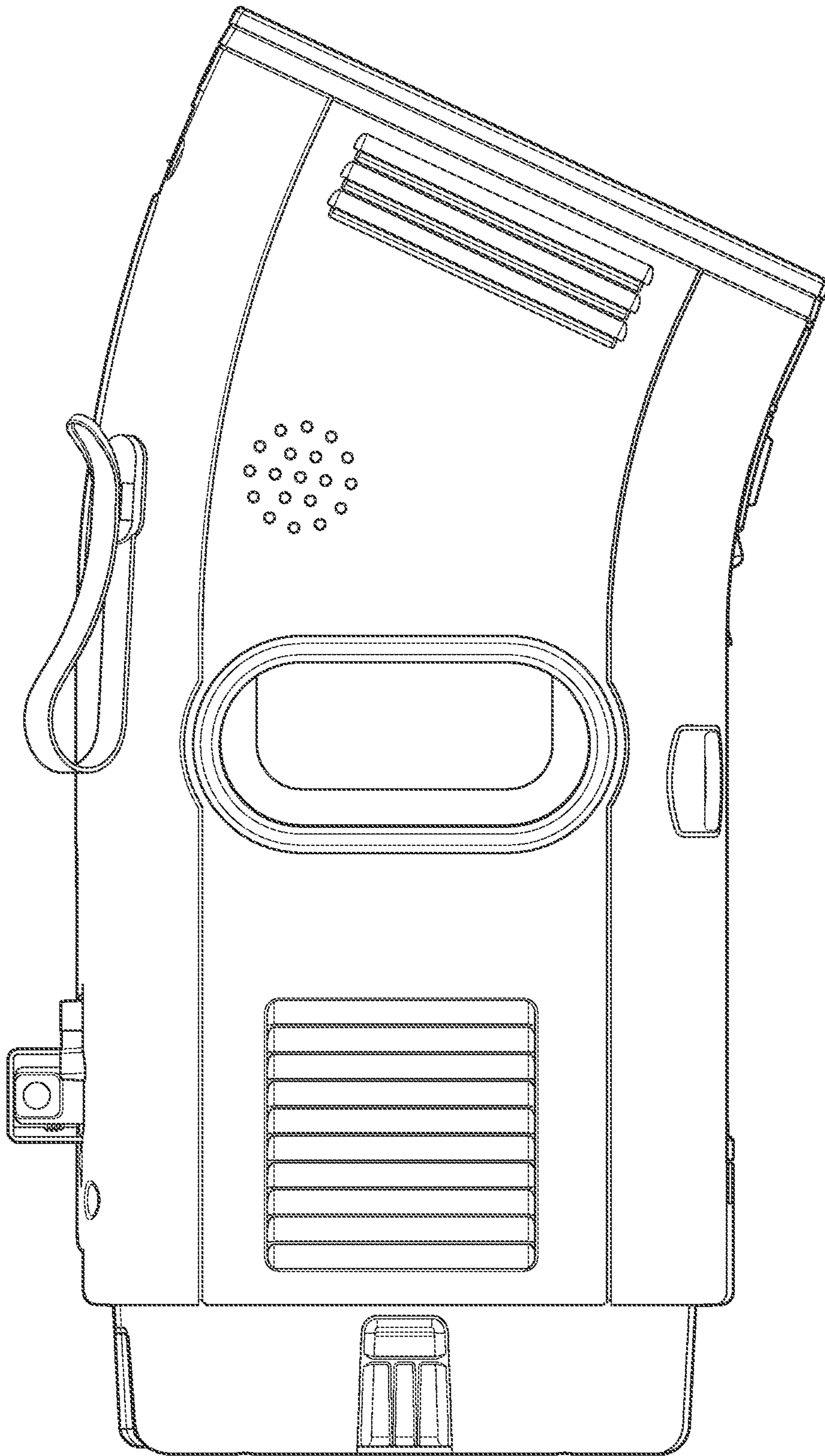
1 Claim, 7 Drawing Sheets

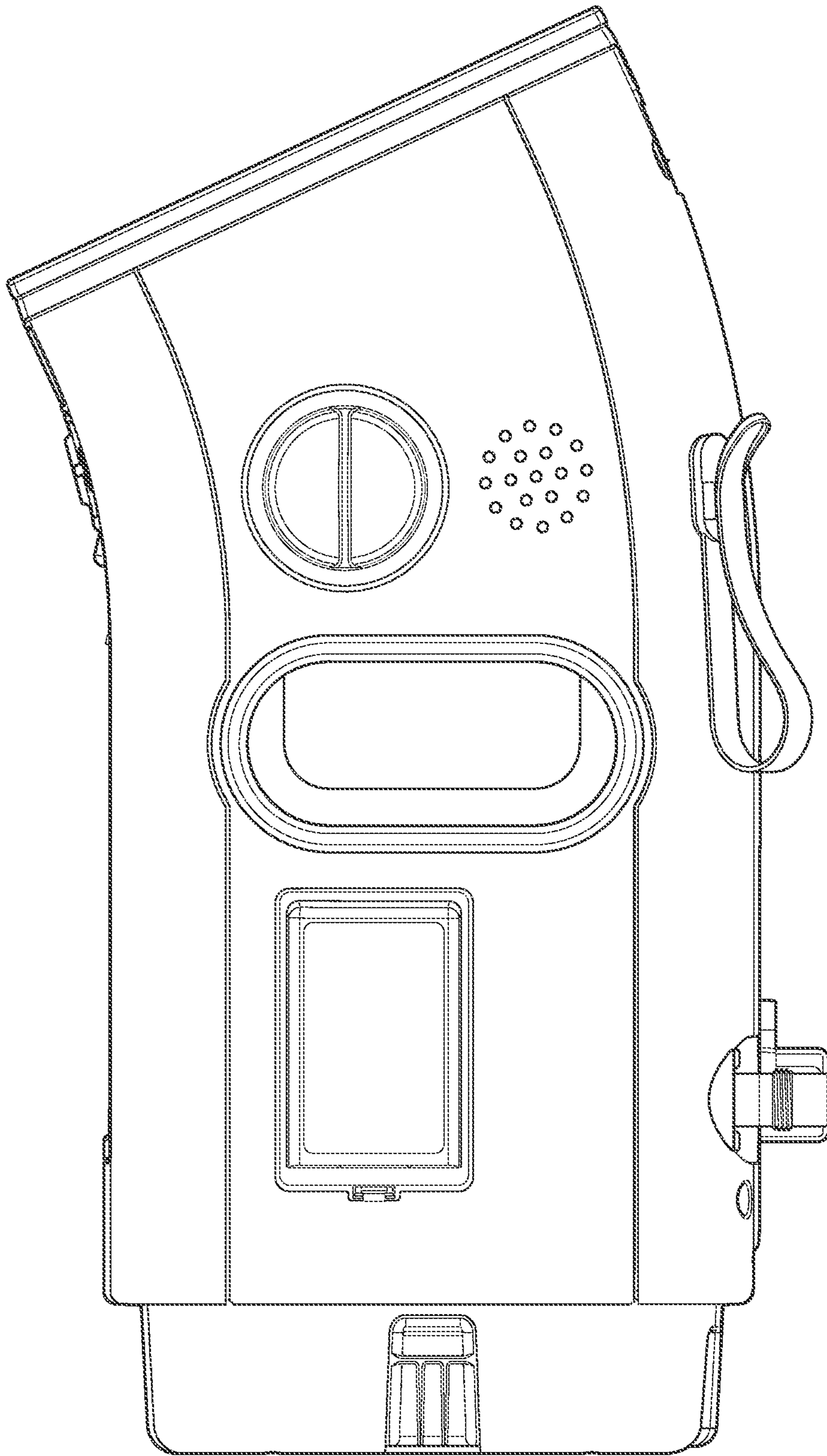




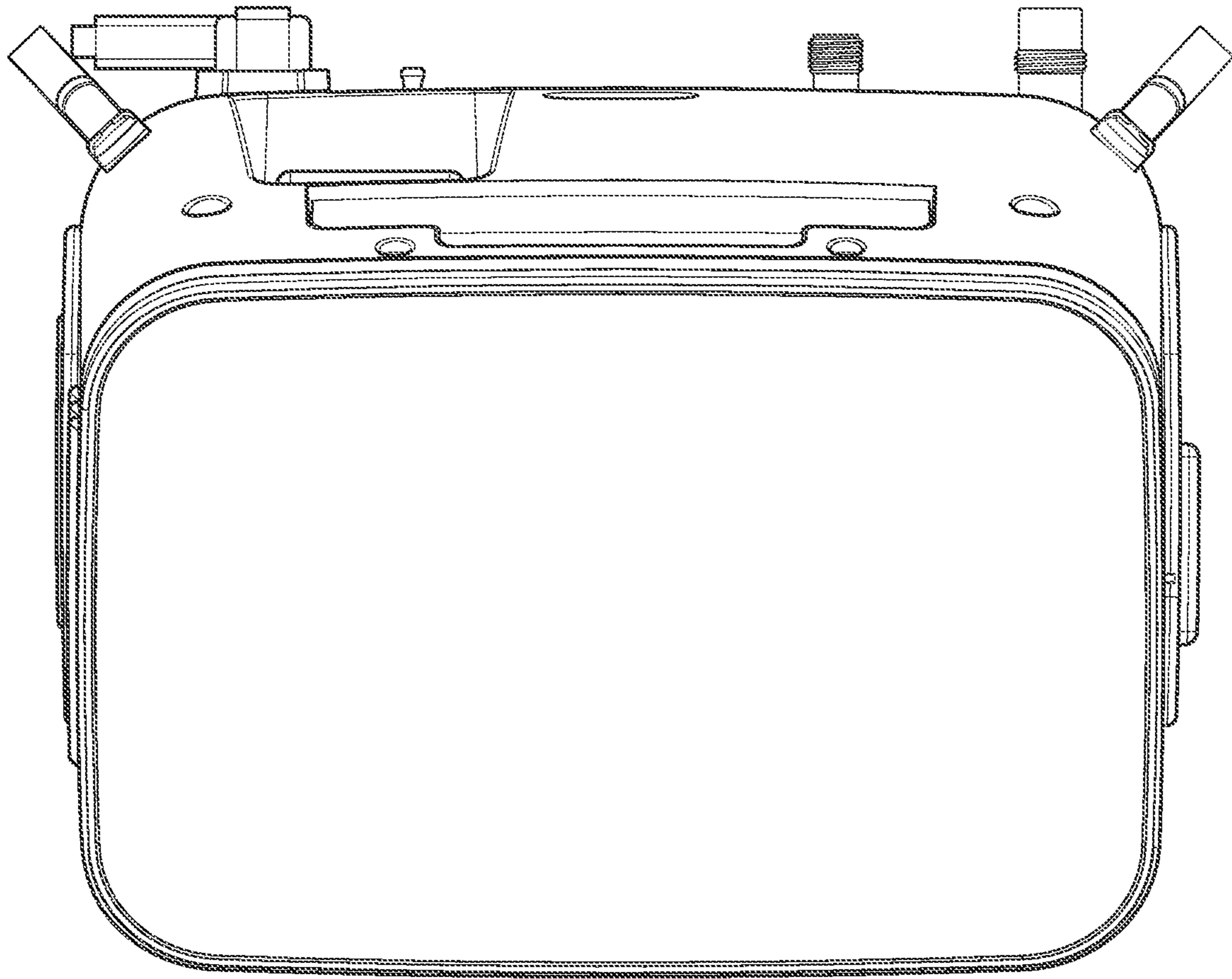




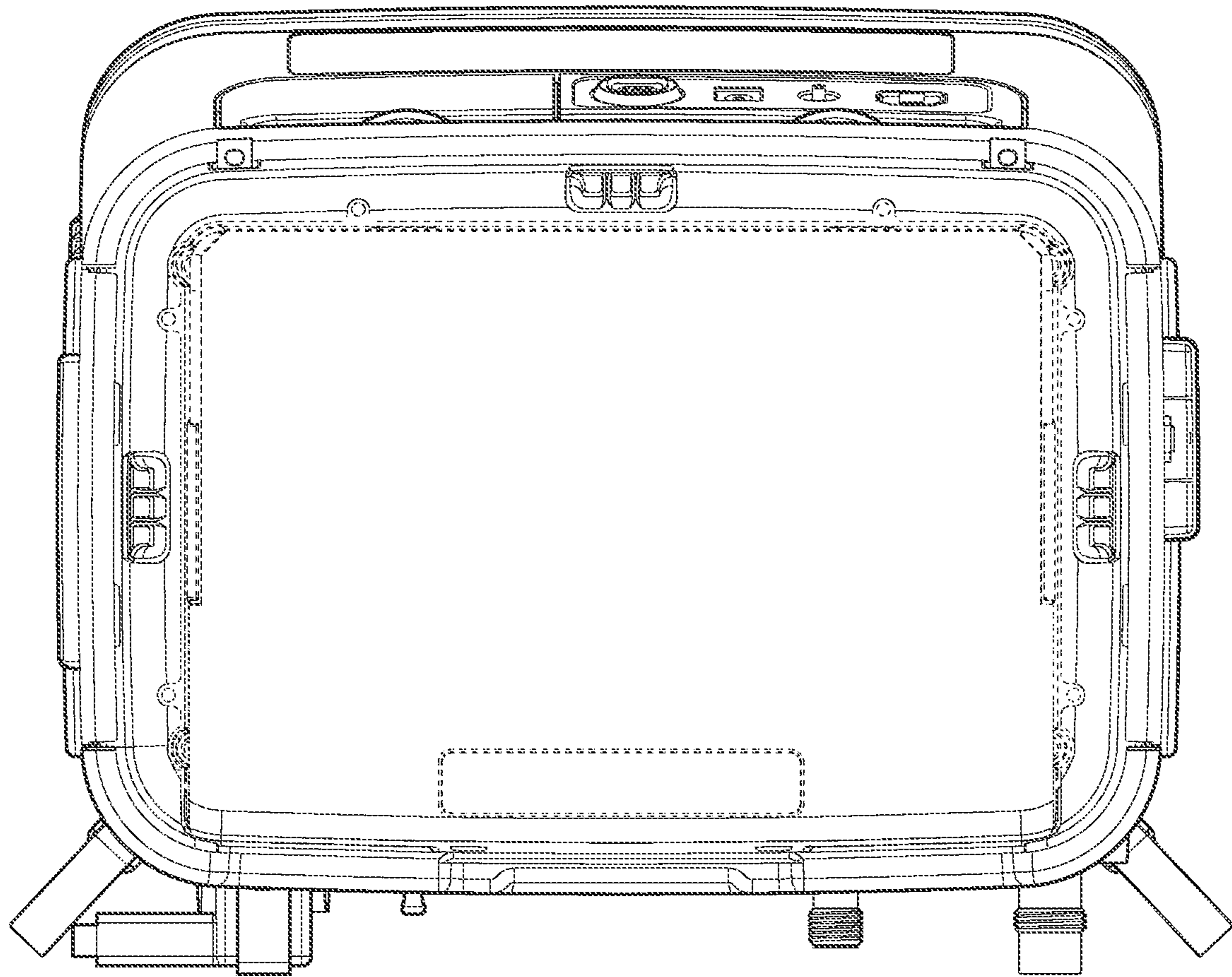




1.5



1.6



17