



US00D884186S

(12) **United States Design Patent** (10) **Patent No.:** **US D884,186 S**
Diaz Carmena et al. (45) **Date of Patent:** **** May 12, 2020**

(54) **PORTABLE X-RAY DEVICE**

(56) **References Cited**

(71) Applicant: **SOCIEDAD ESPANOLA DE ELECTROMEDICINA Y CALIDAD, SA, Algete (Madrid) (ES)**

U.S. PATENT DOCUMENTS

(72) Inventors: **Angel Diaz Carmena, Alcorcon (ES); Jose Garcia Perez, San Sebastian de los Reyes (ES); Idefonso Moreno Vallejo, Rivasvaciamadrid (ES)**

D461,895 S * 8/2002 Barnes D24/158
7,684,544 B2 * 3/2010 Wilson A61B 6/4233
378/102
D724,216 S * 3/2015 Gant D24/158
D839,428 S * 1/2019 Diaz Carmena D24/158
D839,430 S * 1/2019 Diaz Carmena D24/158

* cited by examiner

(73) Assignee: **SOCIEDAD ESPANOLA DE ELECTROMEDICINA Y CALIDAD, S.A., Algete (Madrid) (ES)**

Primary Examiner — Anhdao Doan
(74) *Attorney, Agent, or Firm* — Neal, Gerber & Eisenberg LLP; Bradley Rademaker; Nawshaba Siddiquee

(**) Term: **15 Years**

(57) **CLAIM**

(21) Appl. No.: **29/678,513**

The ornamental design for a portable X-ray device, as shown and described.

(22) Filed: **Jan. 29, 2019**

DESCRIPTION

Related U.S. Application Data

(63) Continuation of application No. 29/610,326, filed on Jul. 11, 2017, now Pat. No. Des. 839,428.

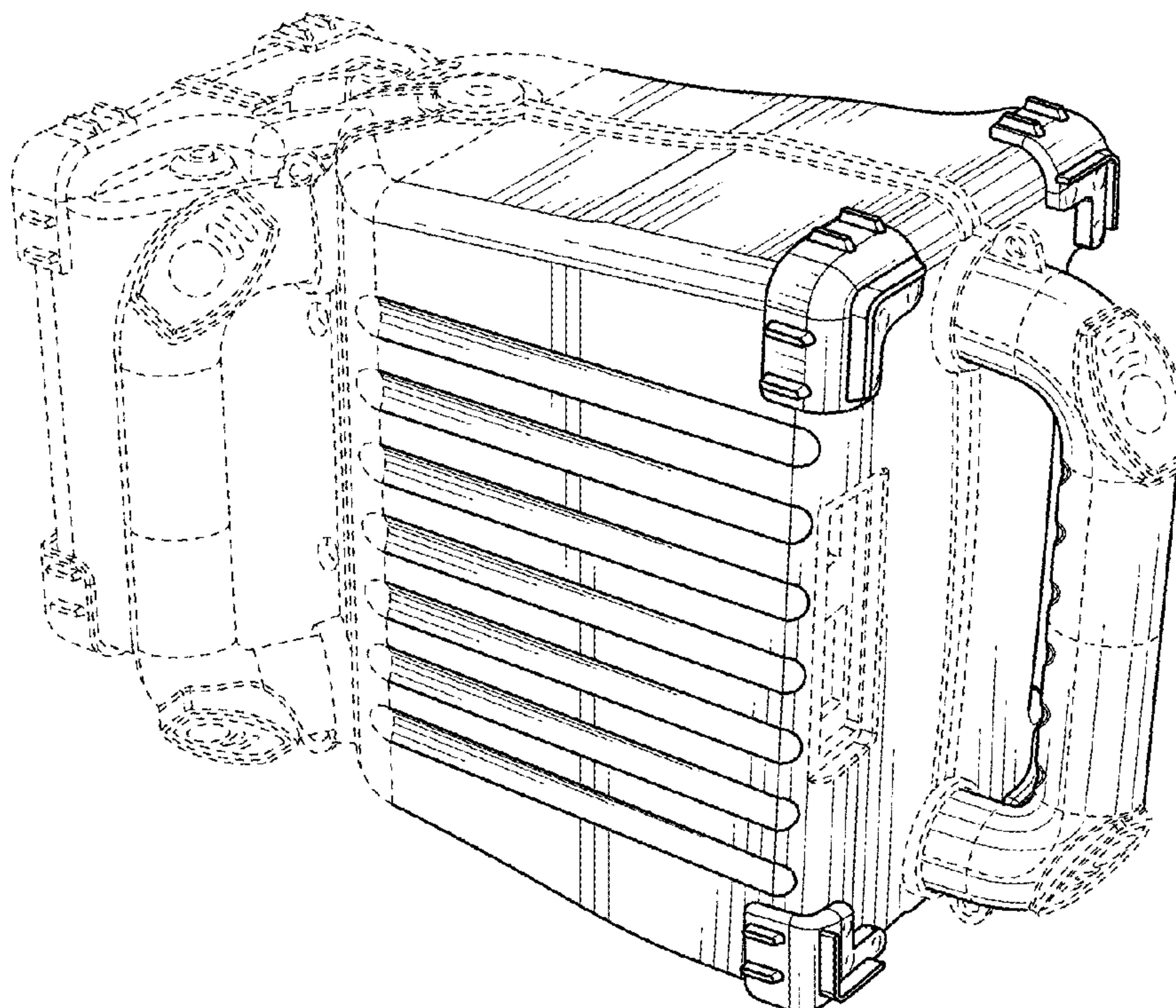
(51) **LOC (12) Cl.** **24-01**

(52) **U.S. Cl.**
USPC **D24/158**

(58) **Field of Classification Search**
USPC D24/107, 158–161, 186; D10/78
CPC A61B 6/485; G01N 23/043; G01N 23/223;
G01N 2223/076; G01N 2223/0766; G01N
2223/301; G01B 15/02; H02J 7/0044
See application file for complete search history.

FIG. 1 is a perspective view of a portable X-ray device. FIG. 2 is a rear view of the design shown in FIG. 1. FIG. 3 is a front view of the design shown in FIG. 1. FIG. 4 is a bottom view of the design shown in FIG. 1. FIG. 5 is a top view of the design shown in FIG. 1. FIG. 6 is a side view of the design shown in FIG. 1; and, FIG. 7 is a side view of the design shown in FIG. 1, opposite the view of FIG. 6. The broken lines immediately adjacent the shaded areas represent the bounds of the claim, while all other broken lines are directed to environment and are for illustrative purposes only; the broken lines form no part of the claimed design.

1 Claim, 5 Drawing Sheets



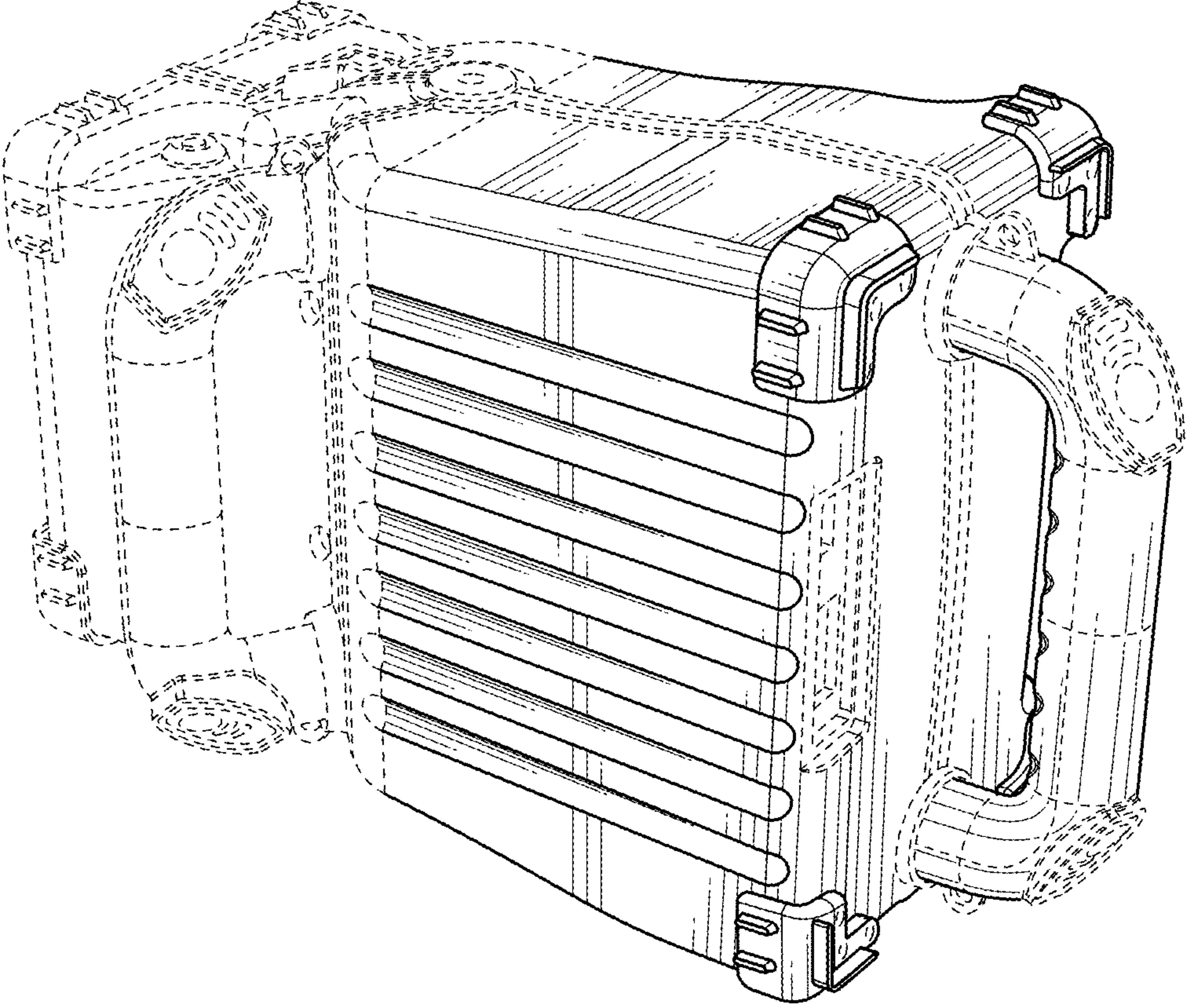


FIG. 1

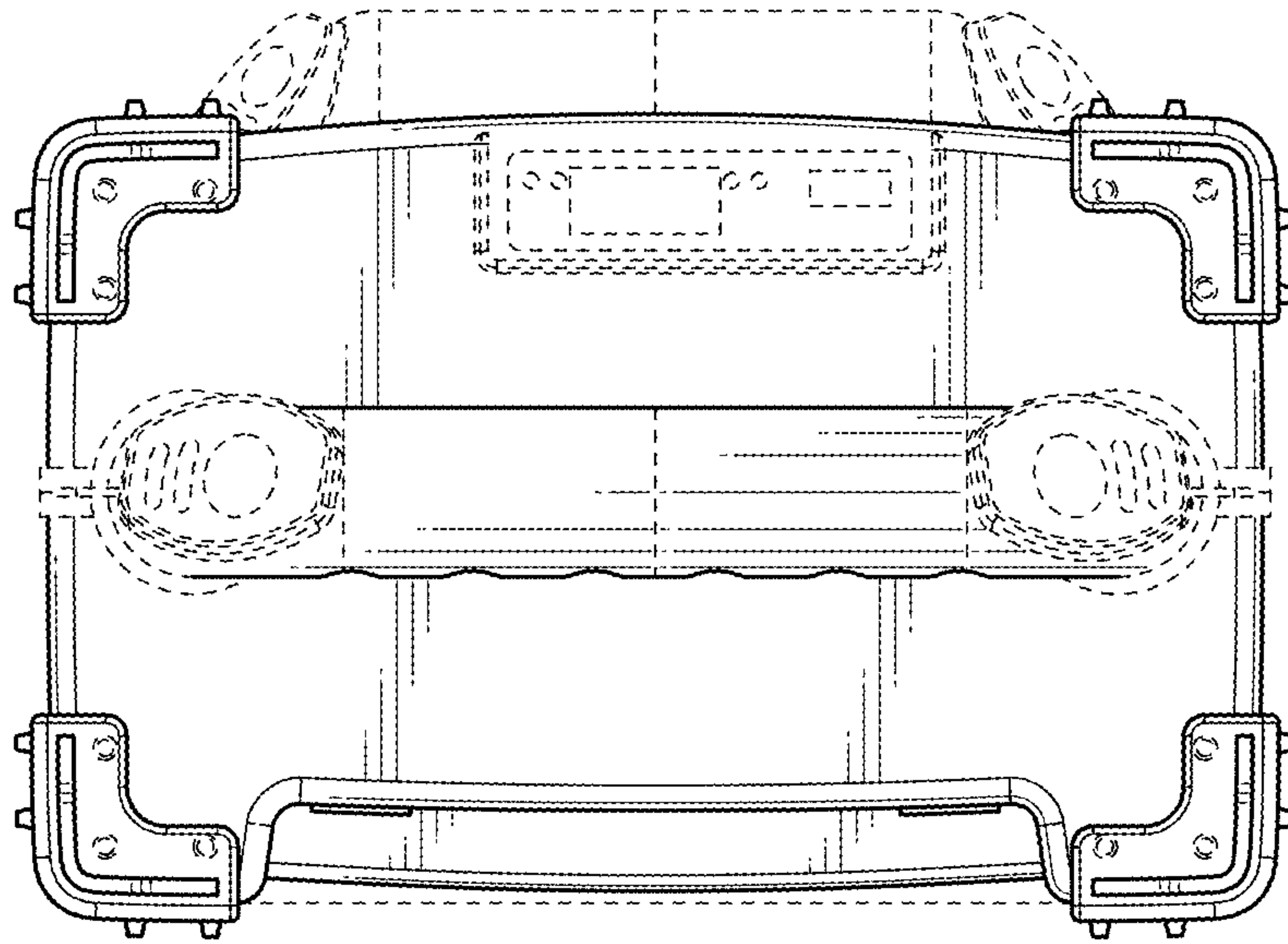


FIG. 2

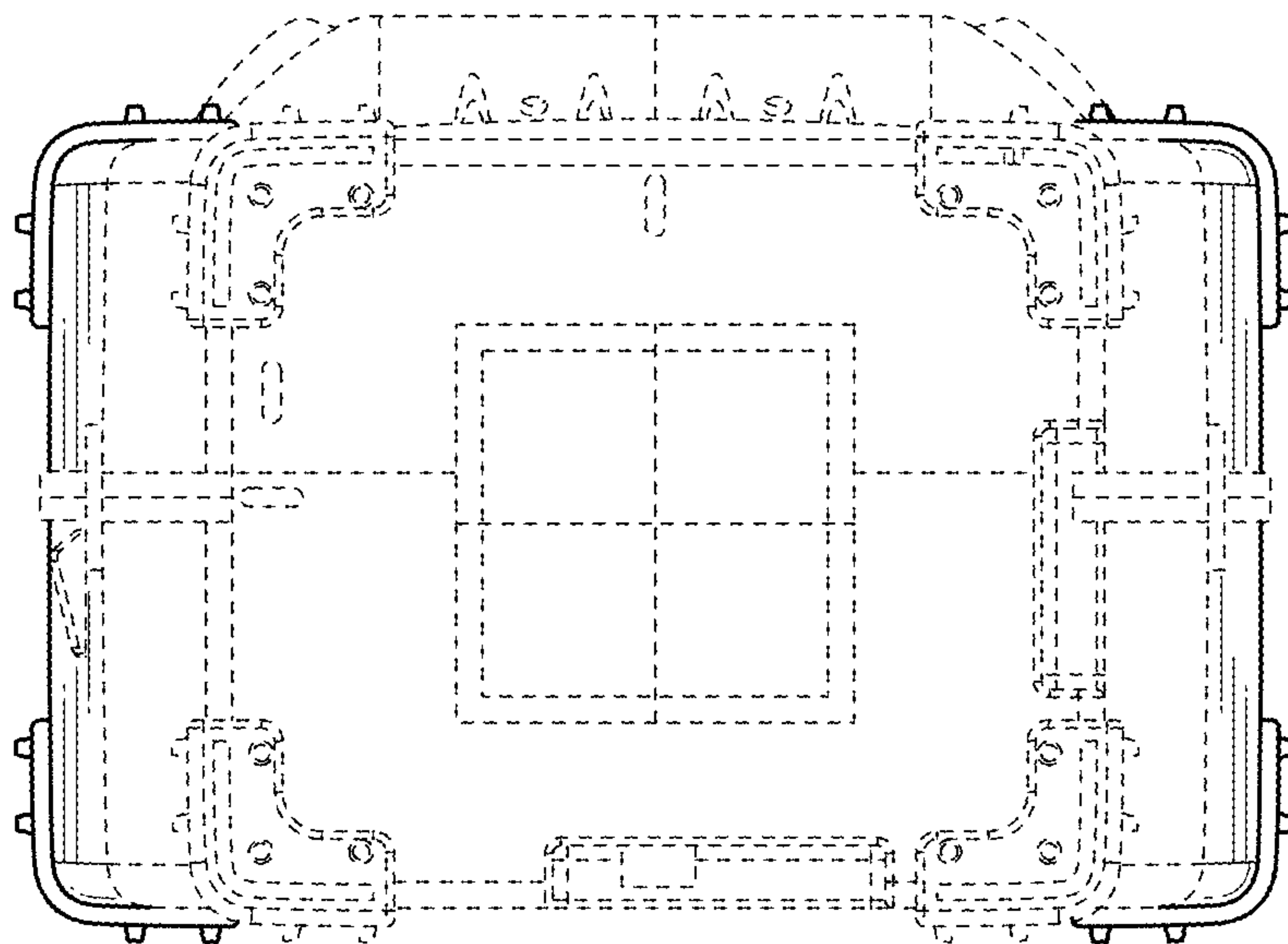


FIG. 3

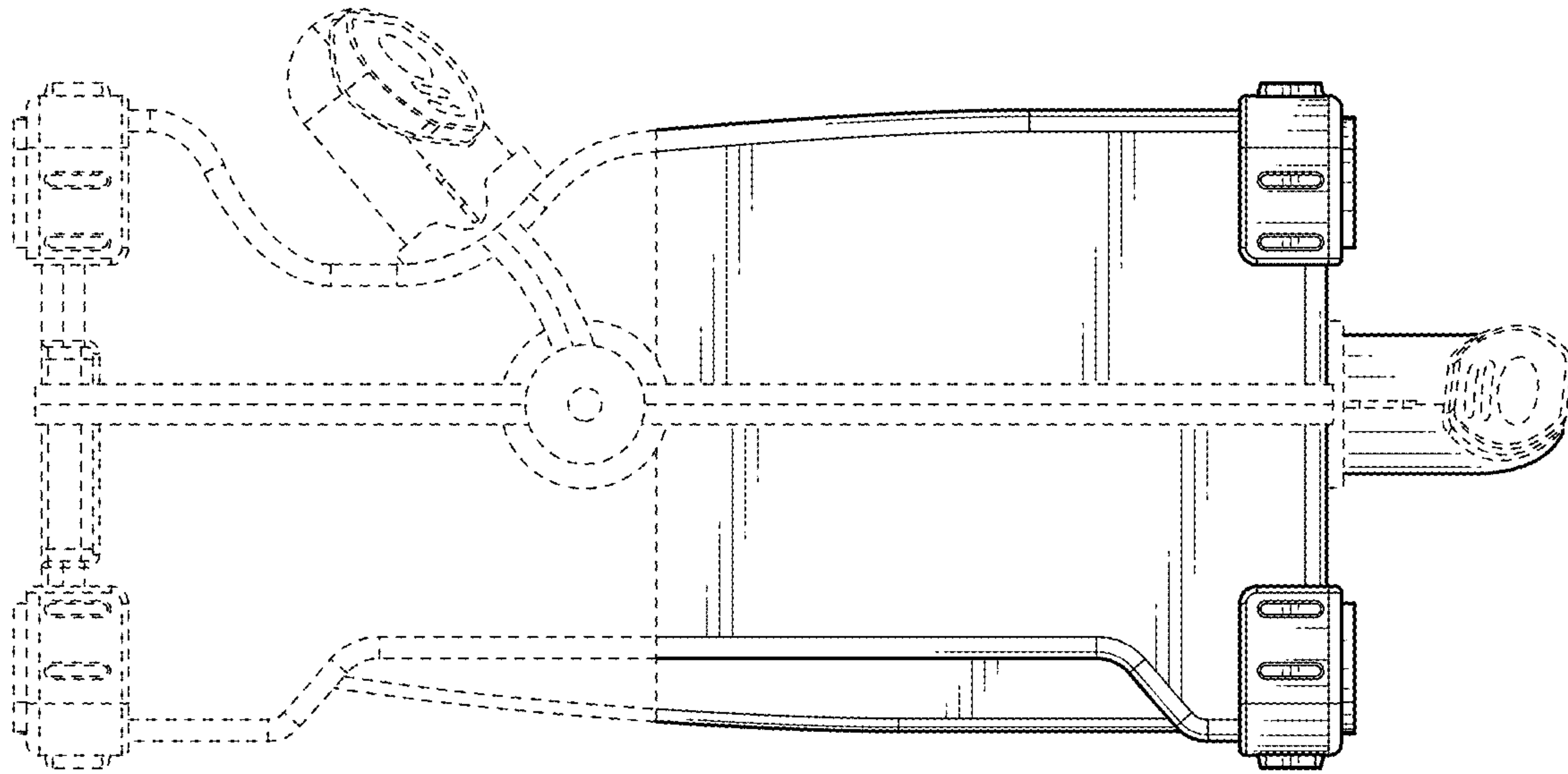


FIG. 4

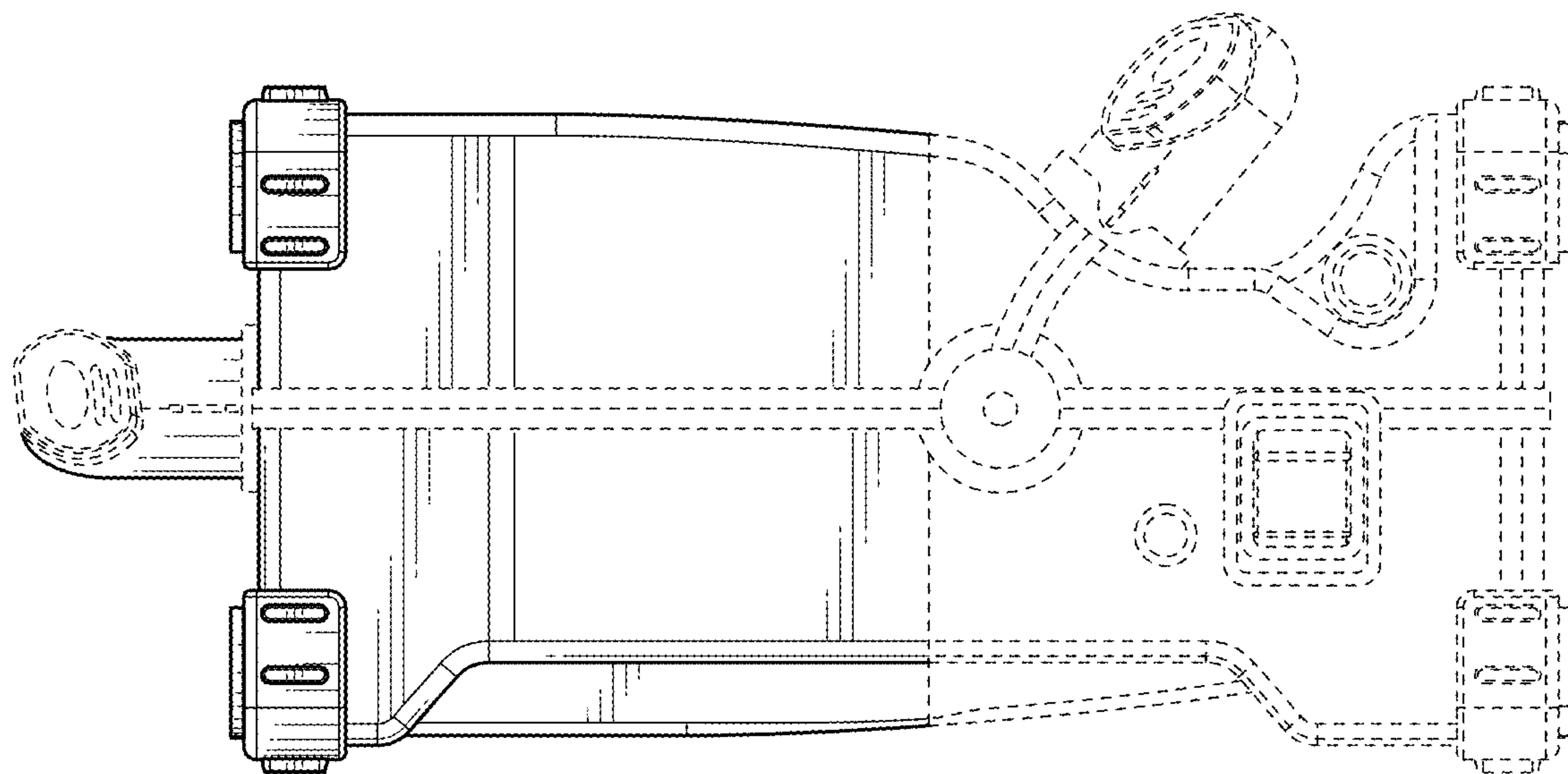


FIG. 5

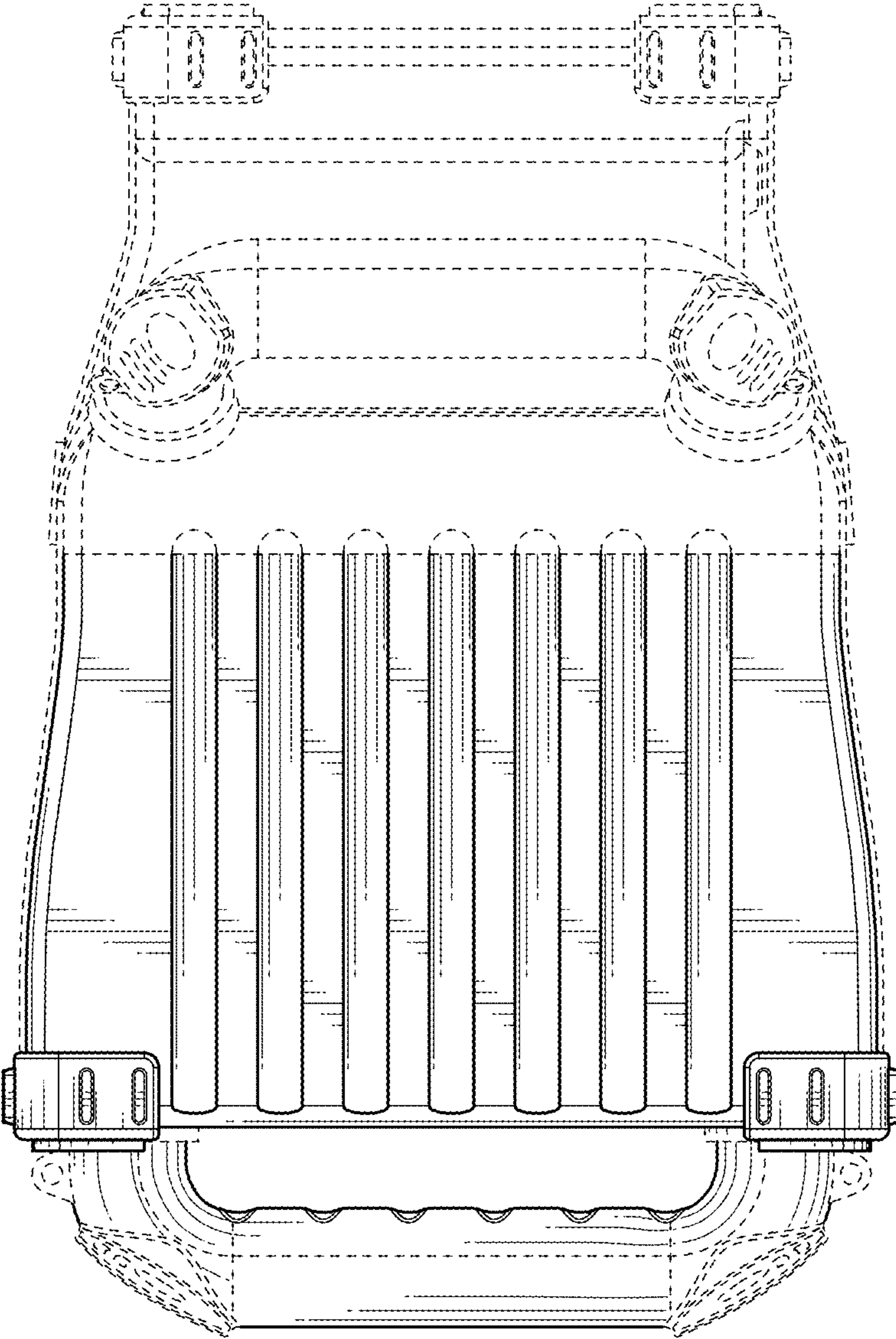


FIG. 6

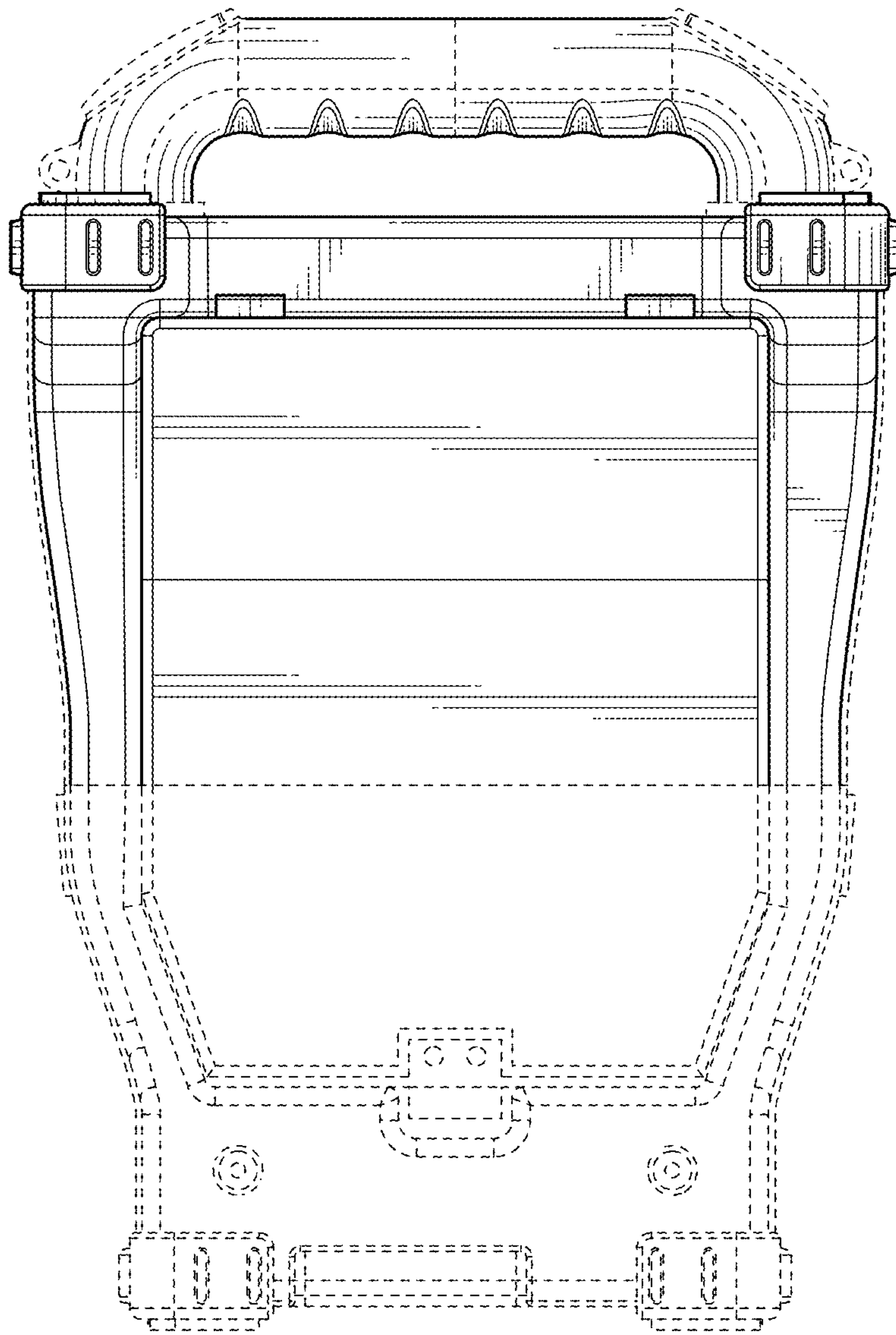


FIG. 7