



US00D884185S

(12) **United States Design Patent**
Liu et al.

(10) **Patent No.:** **US D884,185 S**
(45) **Date of Patent:** **** May 12, 2020**

(54) **RADIOPAQUE MARKER**

(71) Applicant: **Ankon Medical Technologies (Shanghai) Co., LTD.**, Shanghai (CN)

(72) Inventors: **Lei Liu**, Dujiangyan (CN); **Min Li**, Wu Xi (CN); **Xiaodong Duan**, Pleasanton, CA (US)

(73) Assignee: **ANKON MEDICAL TECHNOLOGIES (SHANGHAI) CO., LTD.**, Shanghai (CN)

(**) Term: **15 Years**

(21) Appl. No.: **29/678,442**

(22) Filed: **Jan. 29, 2019**

(51) **LOC (12) Cl.** **24-01**

(52) **U.S. Cl.**
USPC **D24/158**

(58) **Field of Classification Search**
USPC D24/107, 158–161, 185, 187, 231, 101, D24/102, 104, 137, 138, 140; D1/126, D1/130; D21/484, 486, 488; D25/113, D25/114, 117; D8/21, 28
CPC A61B 90/39; A61B 2090/3908; A61B 2090/3912; A61B 2090/392; A61B 2090/3925; A61B 2090/3929; A61B 2090/3937; A61B 2090/3954; A61B 2090/3966; A61B 5/062; A61B 5/064; A61B 5/066; A61B 5/0861; A61B 1/041; A61B 2562/0219
See application file for complete search history.

(56) **References Cited**
U.S. PATENT DOCUMENTS

3,790,922 A * 2/1974 Normann H01R 13/74
439/544
D288,381 S * 2/1987 Eldred D1/128

D317,372 S * 6/1991 Rothamel A61B 90/39
D1/120
D386,545 S * 11/1997 Guegan G01R 33/285
D21/484
5,915,694 A * 6/1999 Brum H01Q 15/145
102/501
D447,835 S * 9/2001 Whitaker A61B 1/00016
D1/130
7,123,690 B1 * 10/2006 Brown A61B 90/39
378/165
D737,977 S * 9/2015 Dutschmann D24/158
D820,452 S * 6/2018 Rai H01R 13/74
D24/158
2011/0065987 A1 * 3/2011 Mullick A61B 1/00016
600/109
2014/0275964 A1 * 9/2014 Kim A61N 5/1007
600/411
2016/0302880 A1 * 10/2016 Uhlemann G01R 33/285
2018/0055597 A1 * 3/2018 Duan A61B 90/39

* cited by examiner

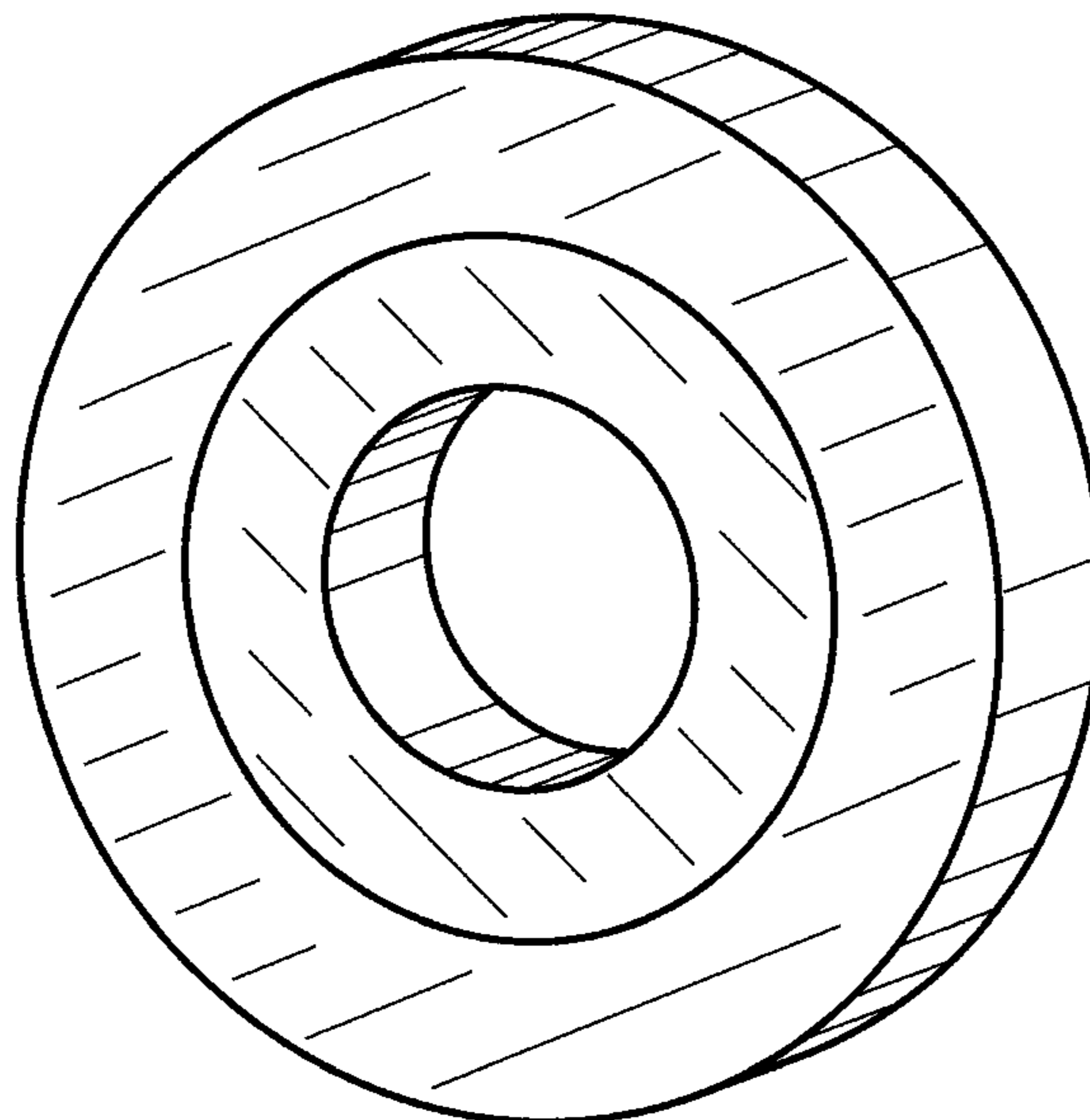
Primary Examiner — Anhdao Doan
(74) *Attorney, Agent, or Firm* — Treasure IP Group, LLC

(57) **CLAIM**
The ornamental design for a radiopaque marker, as shown and described.

DESCRIPTION

FIG. 1 is a perspective view of a radiopaque marker showing my new design;
FIG. 2 is a stereogram view of the radiopaque marker;
FIG. 3 is a front view thereof;
FIG. 4 is a rear view thereof;
FIG. 5 is a left side view thereof;
FIG. 6 is a right side view thereof;
FIG. 7 is a top view thereof; and,
FIG. 8 is a bottom view thereof.
The broken lines in FIG. 1 represent an environment and form no part of the claimed design.

1 Claim, 8 Drawing Sheets



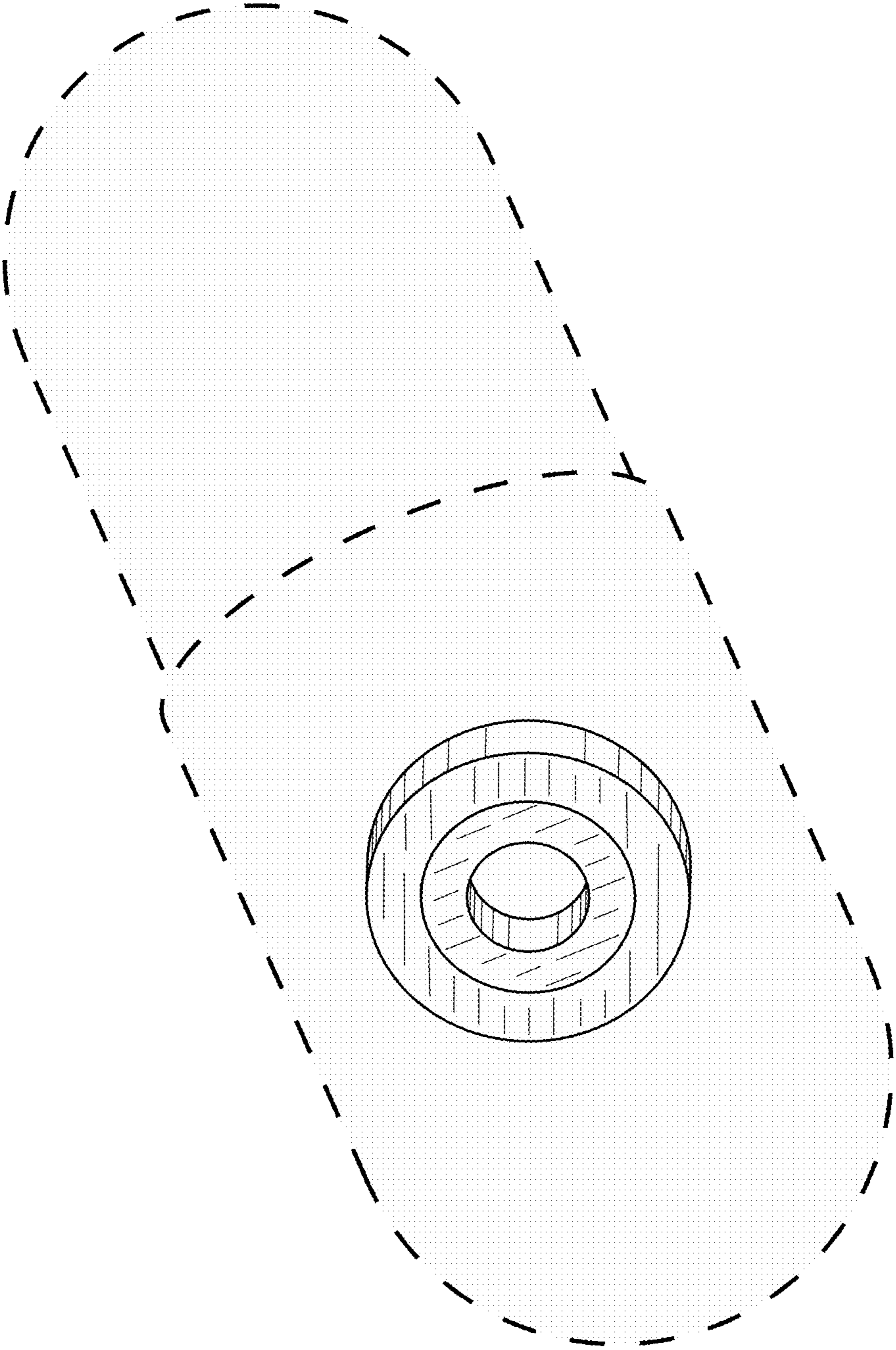


FIG. 1

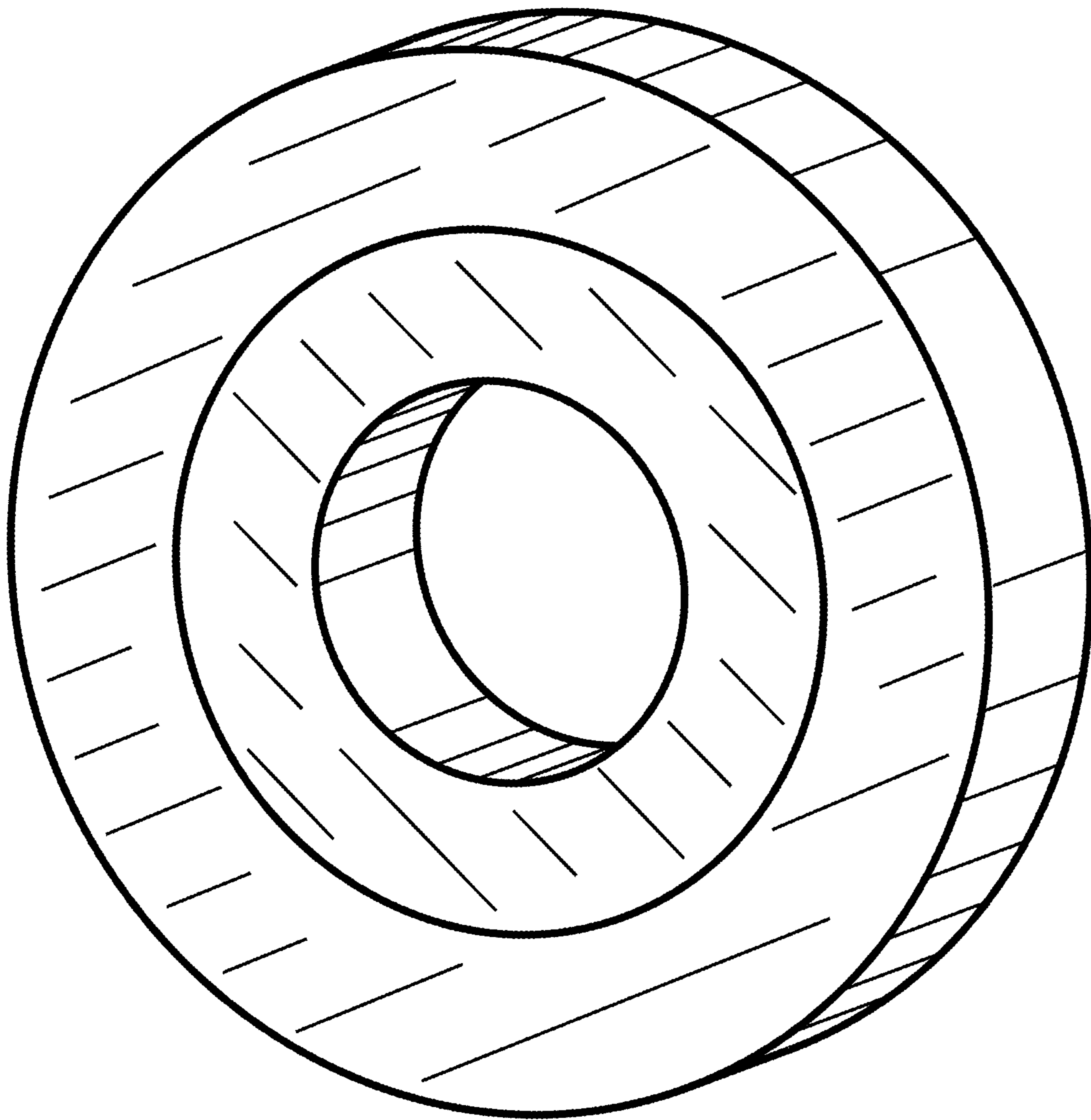


FIG. 2

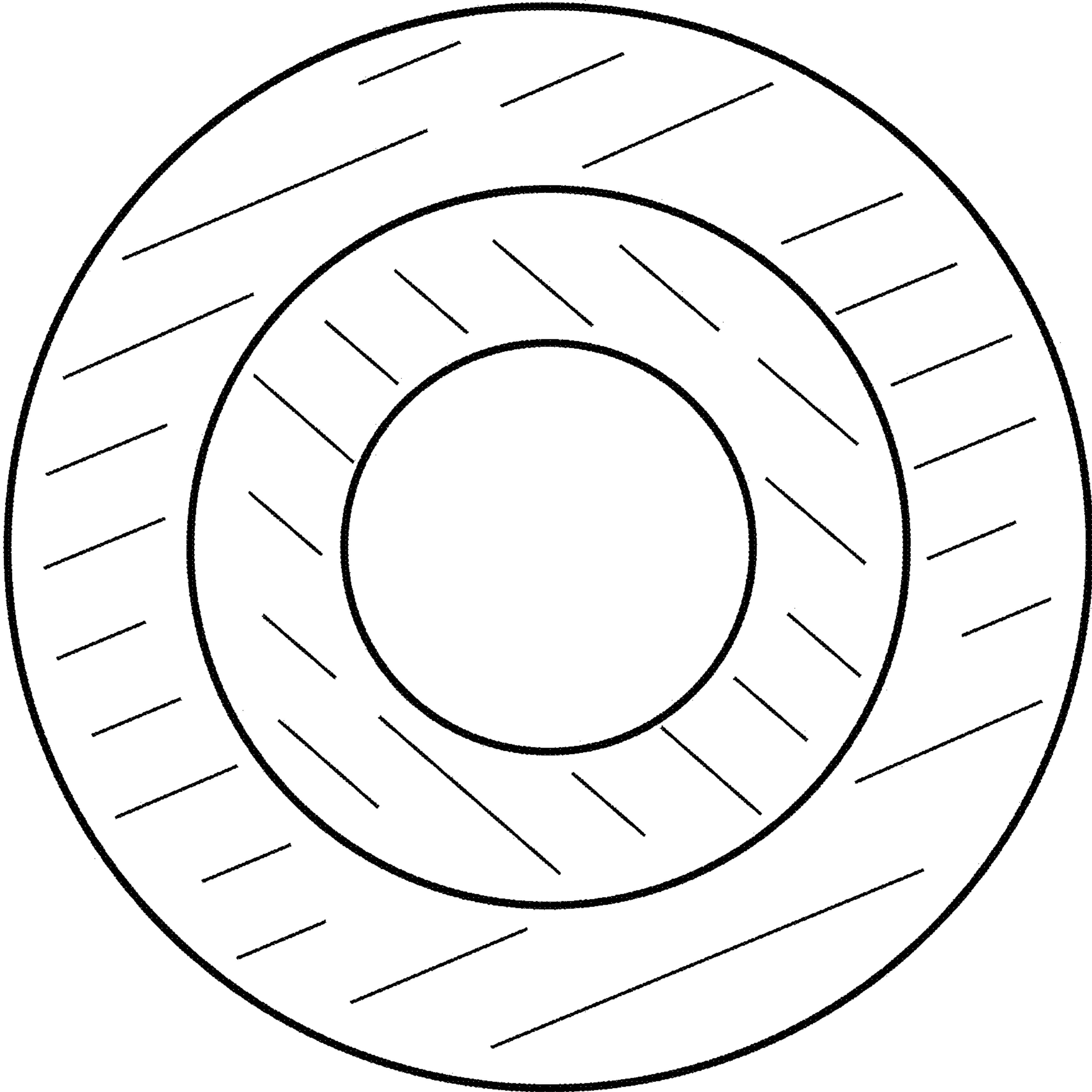


FIG.3

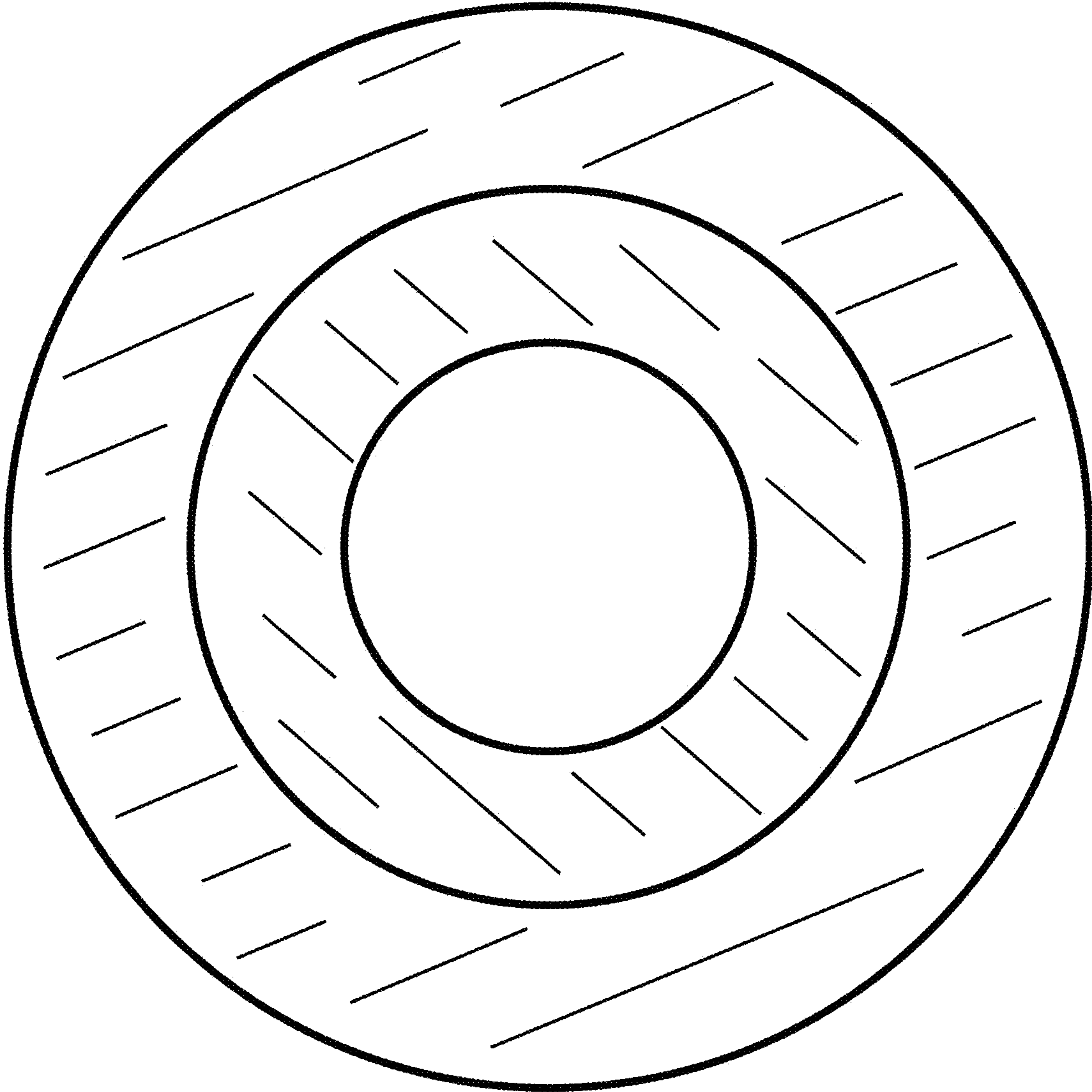


FIG.4

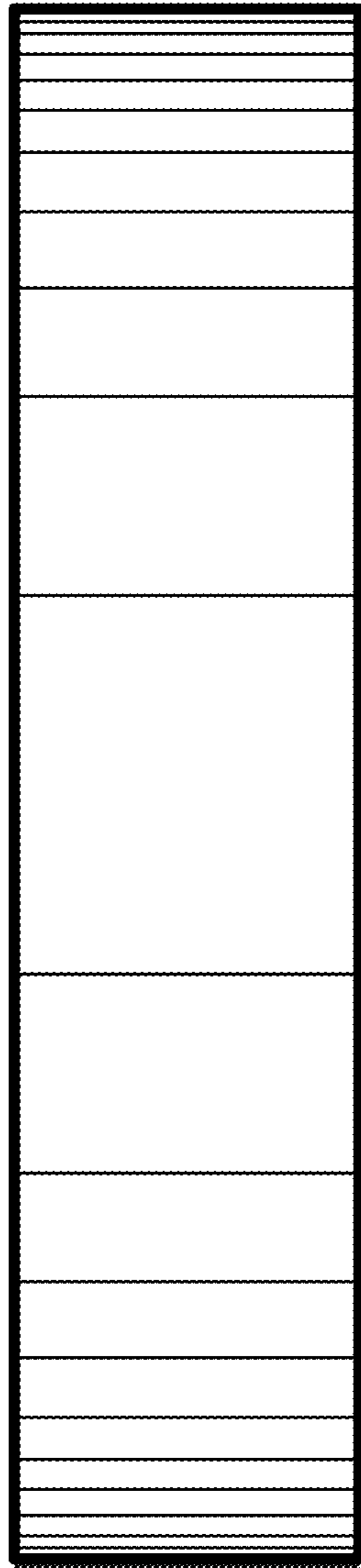


FIG.5

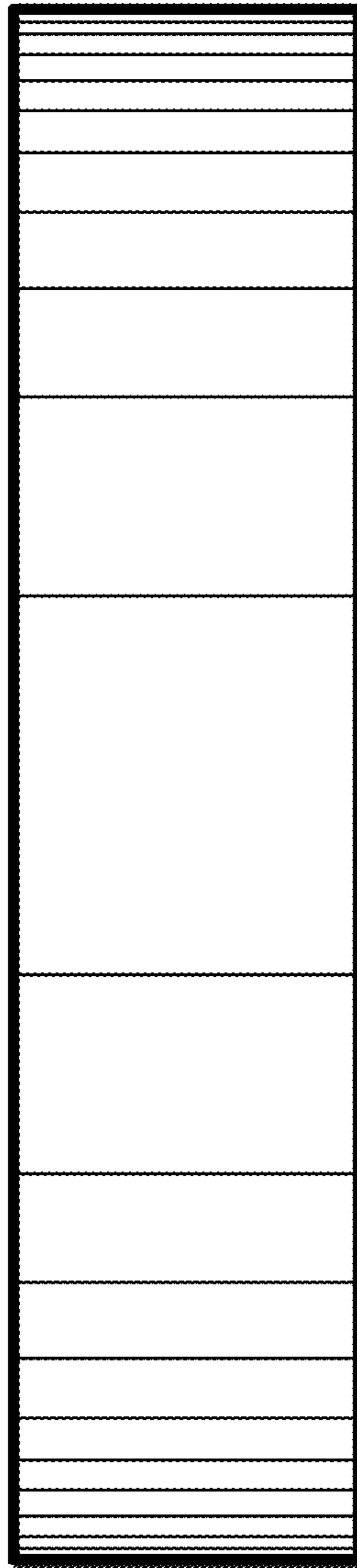


FIG.6



FIG.7



FIG.8