



US00D884184S

(12) **United States Design Patent** (10) **Patent No.:** **US D884,184 S**
Guegel-Wild et al. (45) **Date of Patent:** **** May 12, 2020**

(54) **MEDICAL APPARATUS FOR IMAGING**

(56) **References Cited**

(71) Applicant: **Siemens Healthcare GmbH**, Erlangen (DE)

U.S. PATENT DOCUMENTS

(72) Inventors: **Stefanie Guegel-Wild**, Langensendelbach (DE); **Markus Mutterer**, Fürth (DE); **Thomas Stenka**, Erlangen (DE); **Jonas Vollmer**, Erlangen (DE)

D715,945 S	*	10/2014	Zhang	D24/159
D738,505 S	*	9/2015	Eberler	D24/158
D752,223 S	*	3/2016	Park	D24/158
D758,587 S	*	6/2016	Eberler	D24/158
D785,181 S	*	4/2017	Grosshauser	D24/158
D785,182 S	*	4/2017	Grosshauser	D24/158
D785,801 S	*	5/2017	Grosshauser	D24/158
D794,798 S	*	8/2017	Grosshauser	D24/158
D794,799 S	*	8/2017	Achleitner	D24/158
D806,878 S	*	1/2018	Chang	D24/158
D866,765 S	*	11/2019	Guegel-Wild	D24/158

(73) Assignee: **Siemens Healthcare GmbH**, Erlangen (DE)

* cited by examiner

(**) Term: **15 Years**

Primary Examiner — Anhdao Doan

(21) Appl. No.: **29/666,403**

(74) *Attorney, Agent, or Firm* — Schiff Hardin LLP

(22) Filed: **Oct. 12, 2018**

(57) **CLAIM**

The ornamental design for a medical apparatus for imaging, as shown and described.

(30) **Foreign Application Priority Data**

DESCRIPTION

Apr. 13, 2018 (EM) 005231966

(51) **LOC (12) Cl.** **24-01**

(52) **U.S. Cl.**
USPC **D24/158**

(58) **Field of Classification Search**
USPC D24/107, 158–161, 185, 186, 231
CPC A61B 6/035; A61B 6/4405; A61B 6/4411;
A61B 6/4429; A61B 6/4435; A61B
6/4441; A61B 6/4447; A61B 6/484
See application file for complete search history.

FIG. 1 is a front view of a medical apparatus for imaging showing our new design;
FIG. 2 is a back elevational view thereof;
FIG. 3 is a top plan view thereof;
FIG. 4 is a bottom plan view thereof;
FIG. 5 is a right side elevational view thereof;
FIG. 6 is a left side elevational view thereof; and,
FIG. 7 is a perspective view taken generally from the upper, front, left-hand side thereof.

1 Claim, 7 Drawing Sheets

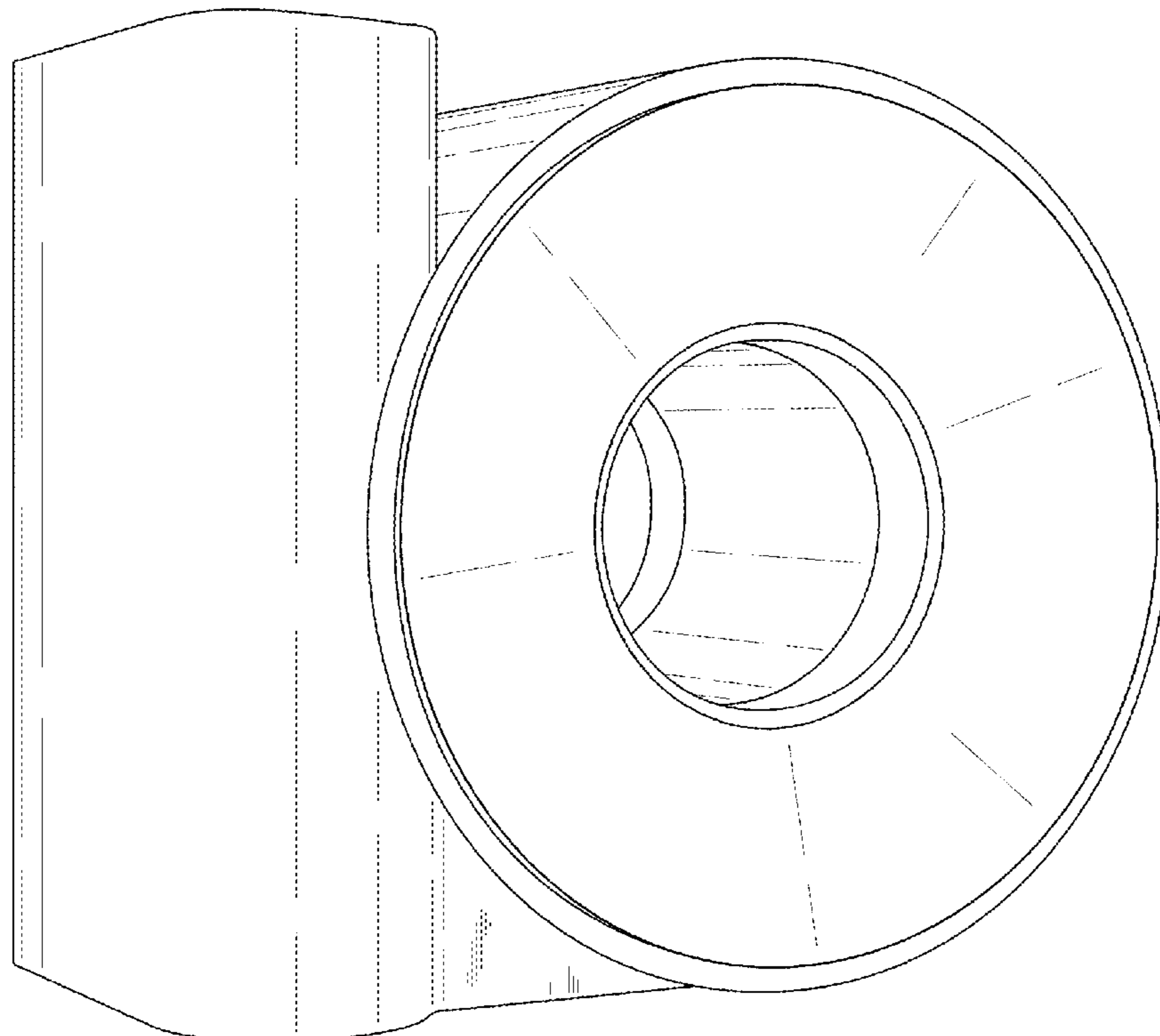


FIG. 1

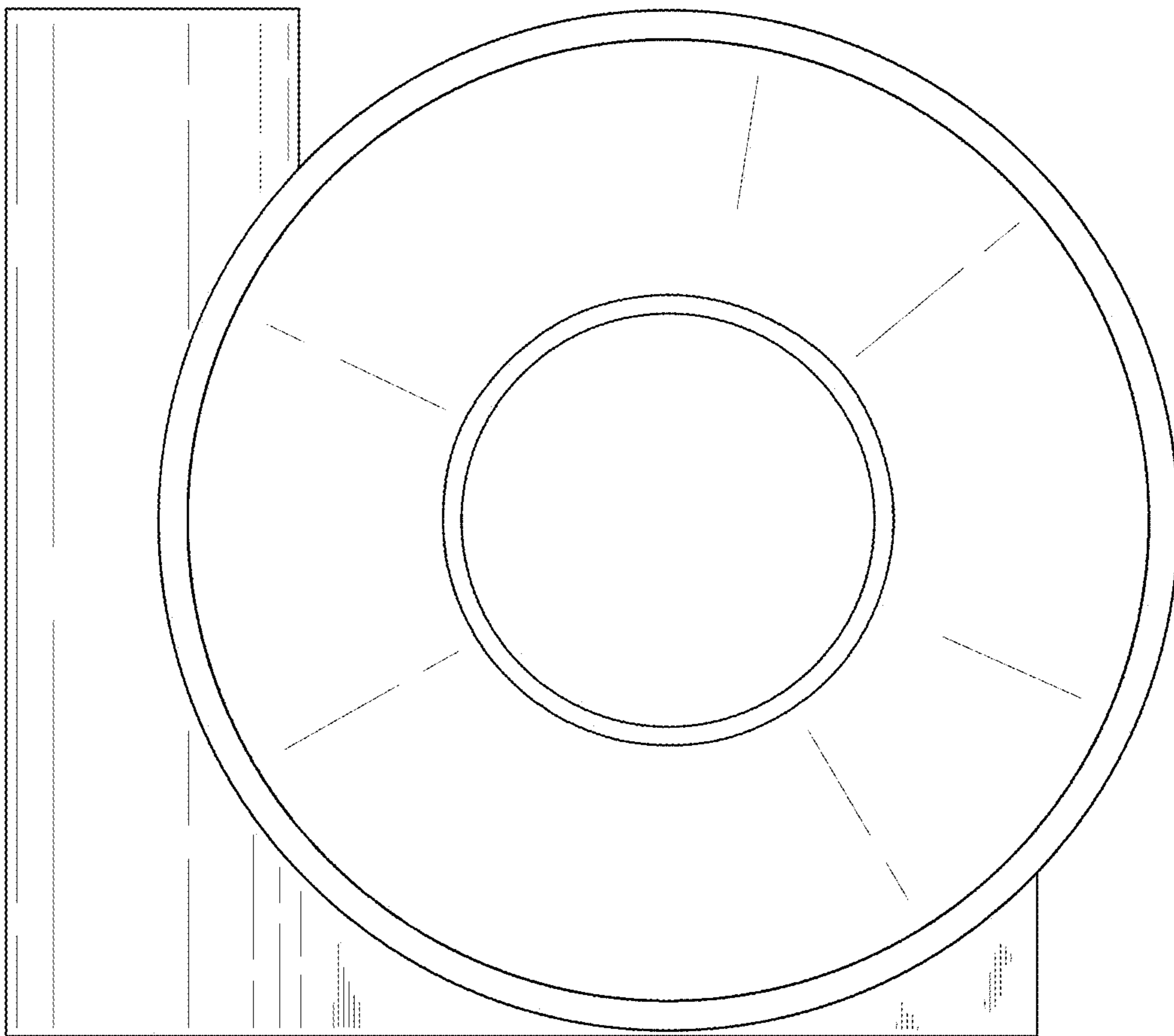


FIG. 2

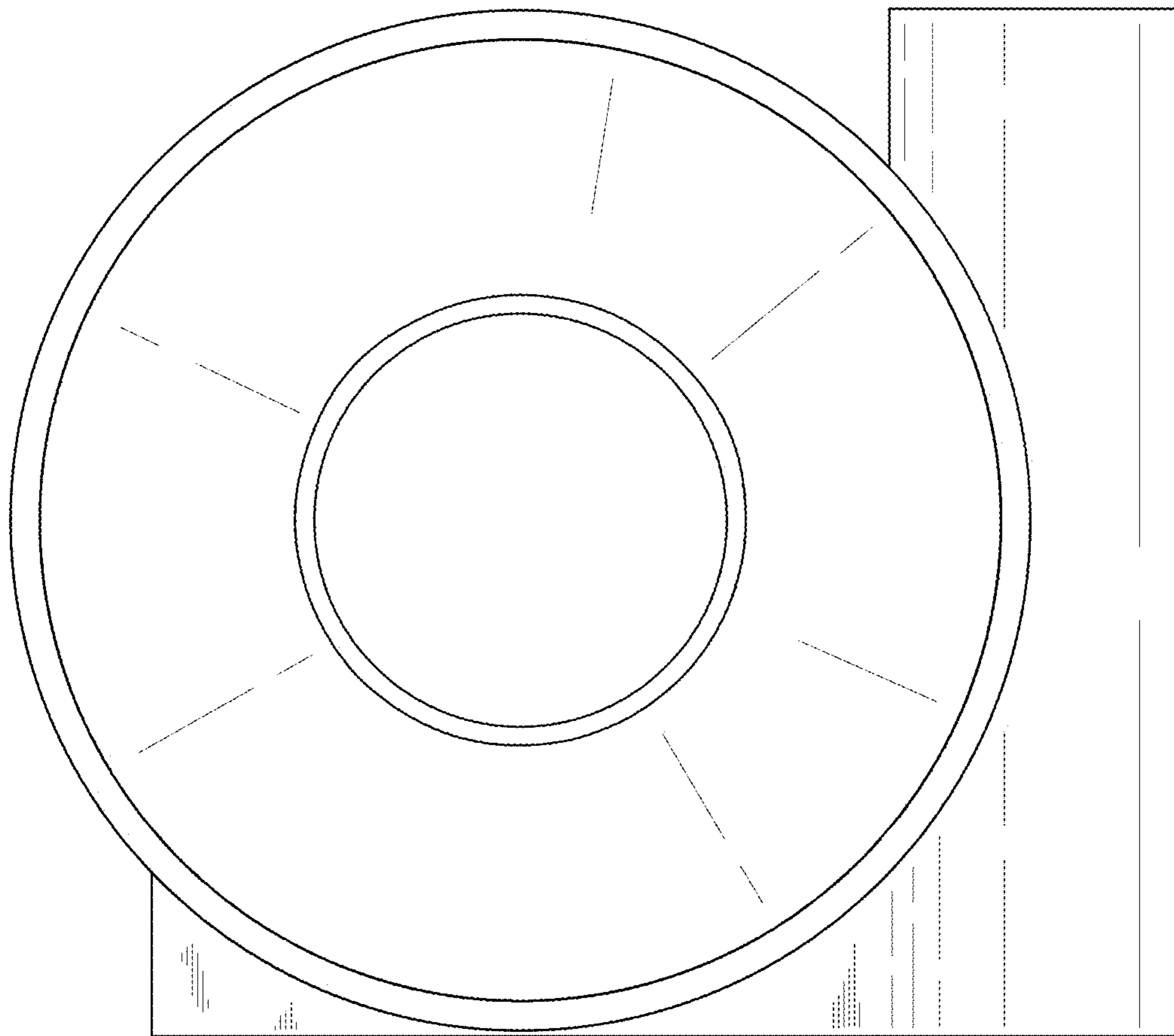


FIG. 3

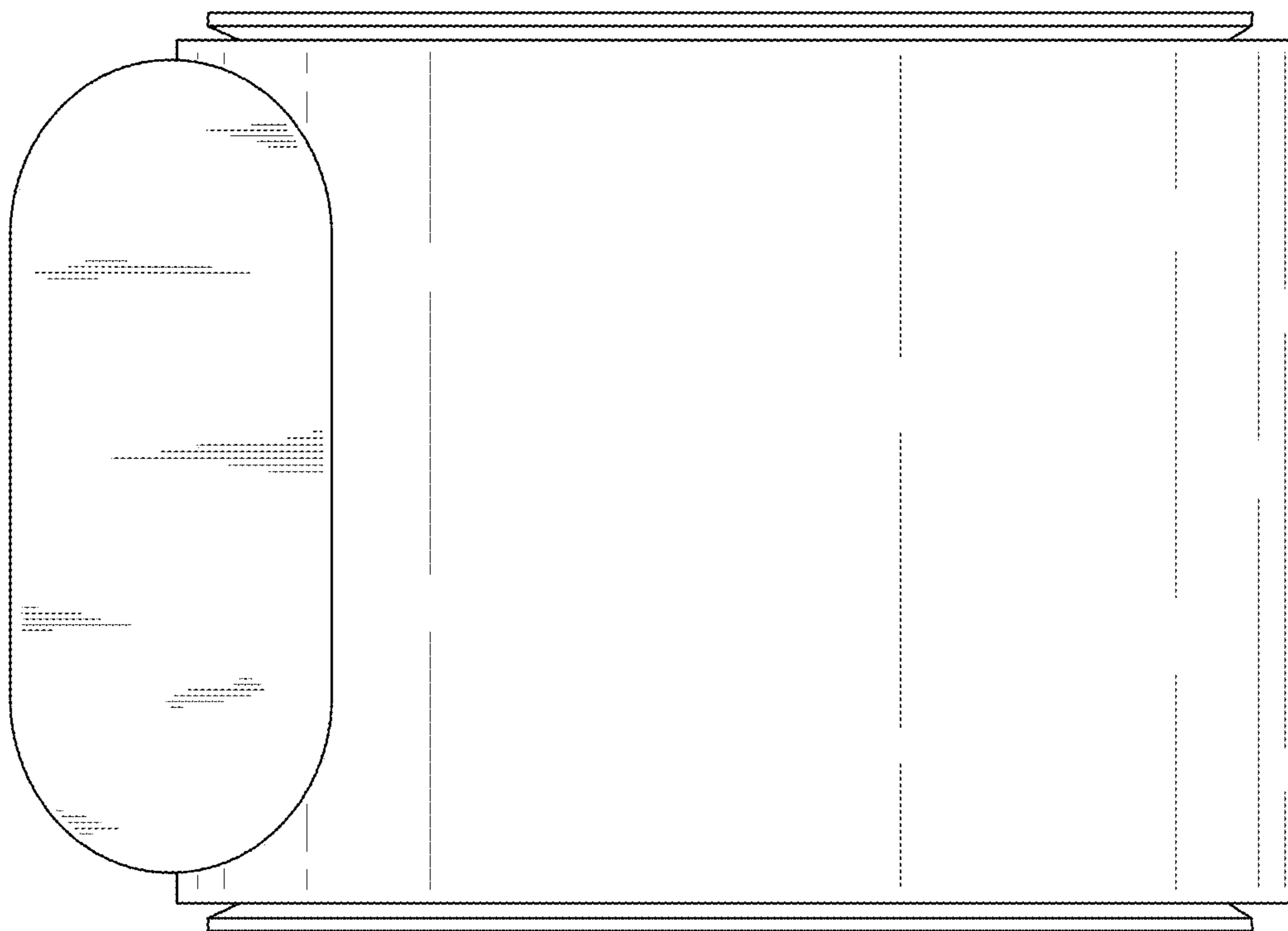


FIG. 4

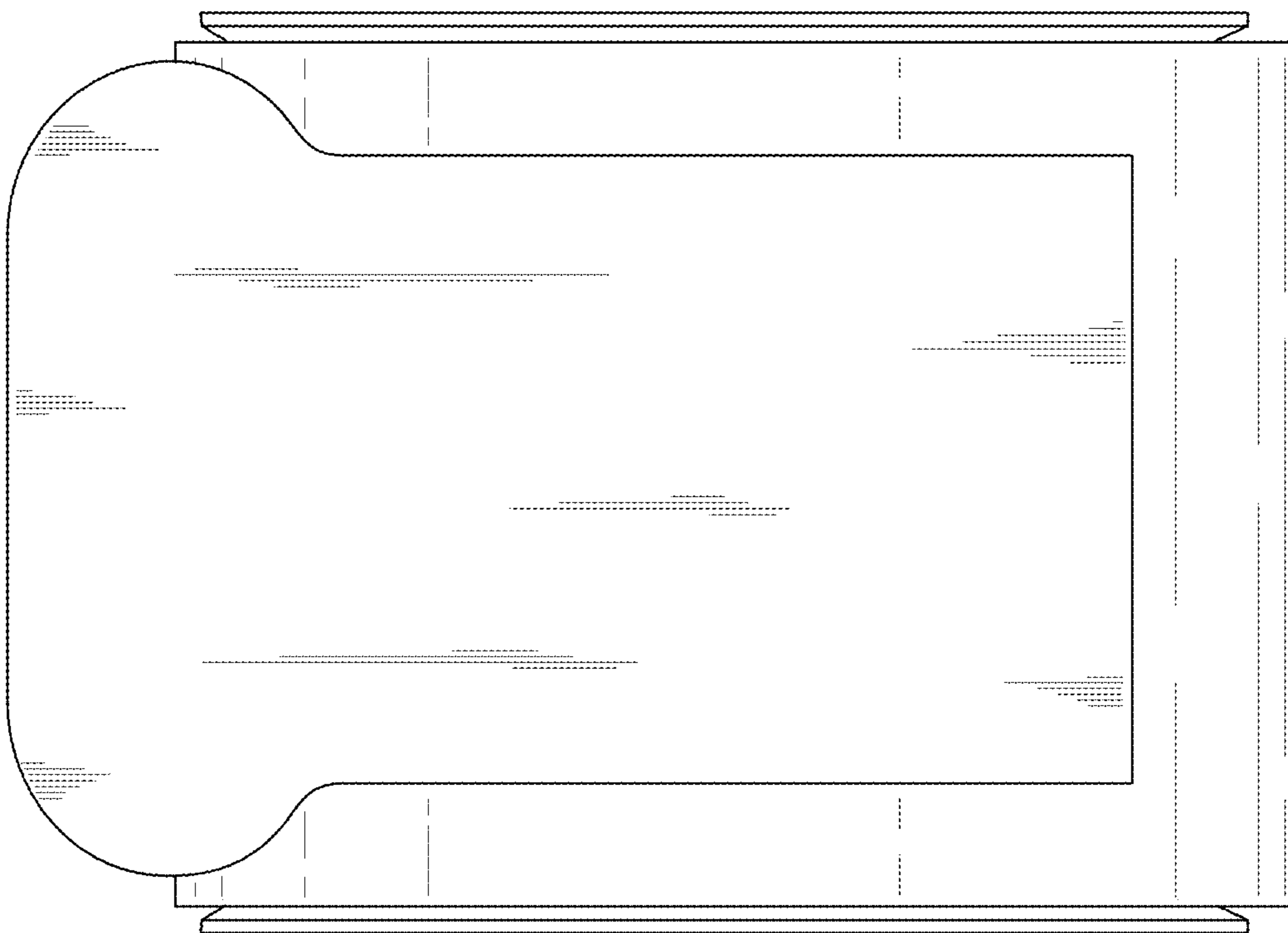


FIG. 5

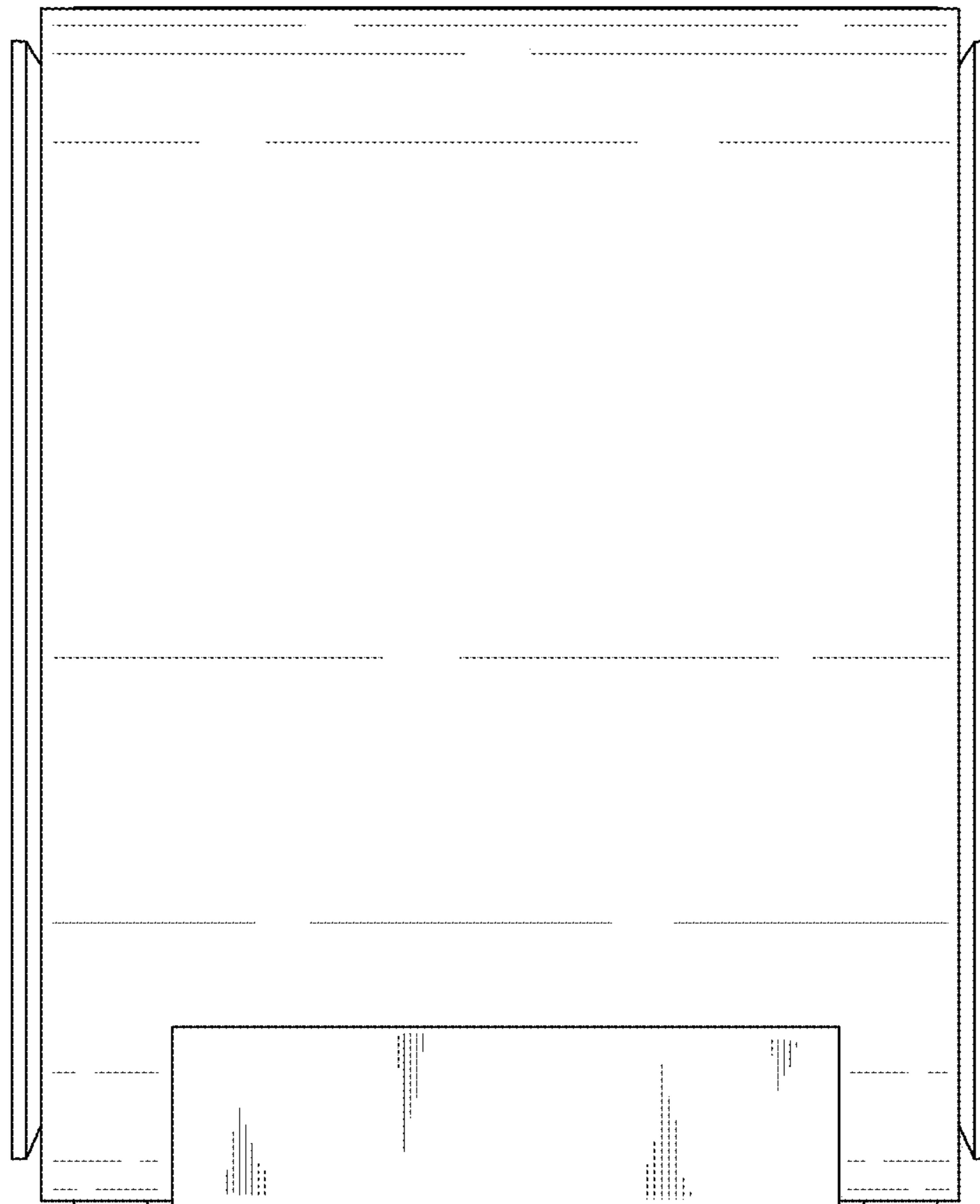


FIG. 6

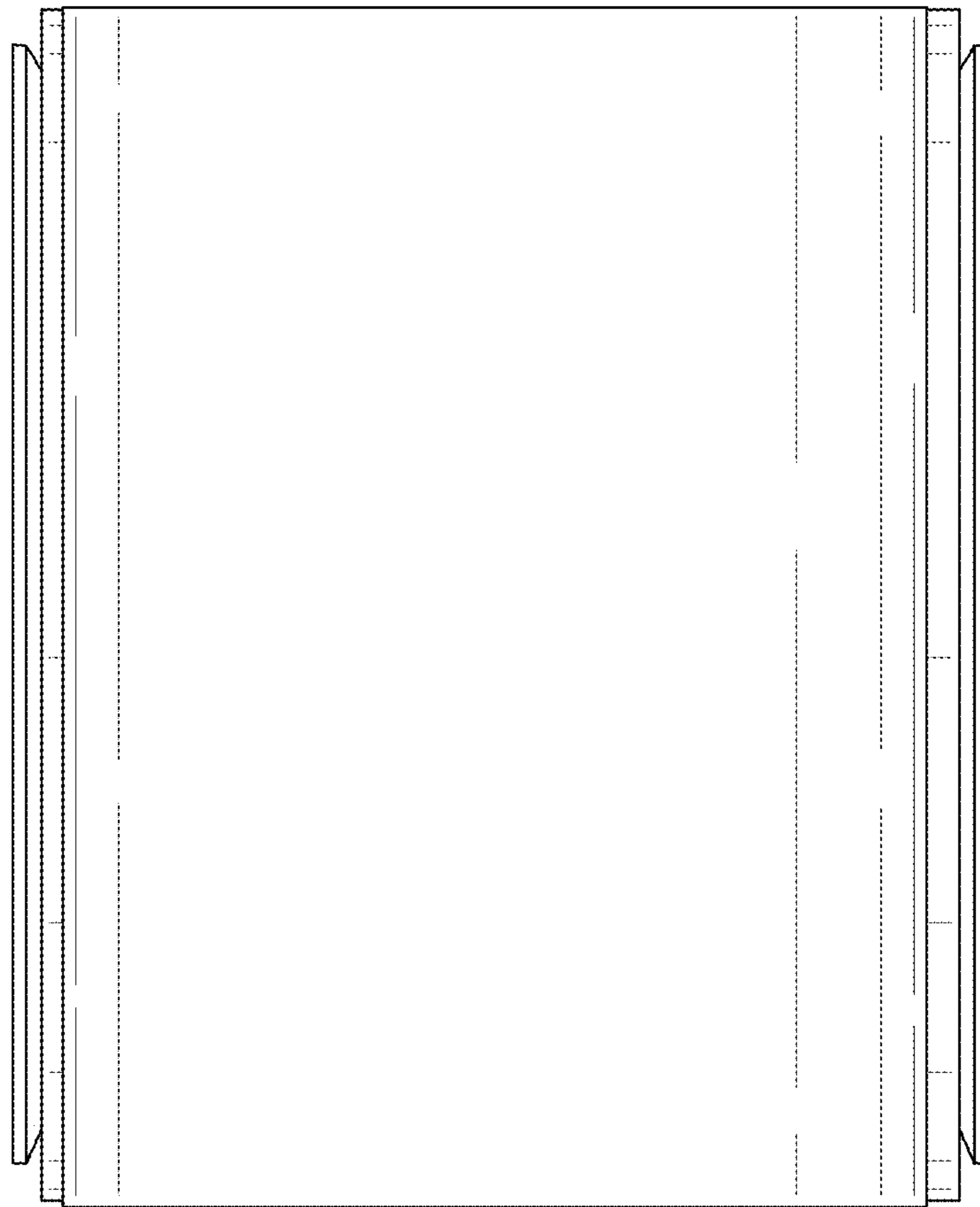


FIG. 7

