



US00D884183S

(12) **United States Design Patent** (10) **Patent No.:** **US D884,183 S**
Takahashi (45) **Date of Patent:** **** May 12, 2020**

(54) **X-RAY IRRADIATION APPARATUS**

(71) Applicant: **FUJIFILM Corporation**, Tokyo (JP)

(72) Inventor: **Keiichiro Takahashi**,
Ashigarakami-gun (JP)

(73) Assignee: **FUJIFILM Corporation**, Minato-Ku,
Tokyo (JP)

(**) Term: **15 Years**

(21) Appl. No.: **29/665,289**

(22) Filed: **Oct. 2, 2018**

(30) **Foreign Application Priority Data**

Apr. 3, 2018 (JP) 2018-007337
Apr. 3, 2018 (JP) 2018-007338
Apr. 3, 2018 (JP) 2018-007339

(51) **LOC (12) Cl.** **24-01**

(52) **U.S. Cl.**
USPC **D24/158**

(58) **Field of Classification Search**
USPC D24/107, 158-161, 185, 186, 231;
D16/200, 202, 206, 208, 219
CPC A61B 6/08; A61B 6/4405; A61B 6/4411;
A61B 6/467; A61B 6/542; H01J 35/02;
H05G 1/06; G21K 1/04
See application file for complete search history.

(56) **References Cited**

U.S. PATENT DOCUMENTS

D525,638 S * 7/2006 Nakamura D16/202
D671,217 S * 11/2012 Moon D24/158
D681,814 S * 5/2013 Nenoki 378/197
D702,351 S * 4/2014 Li D24/158
D703,322 S * 4/2014 Hayman D24/158
D745,165 S * 12/2015 McGinley D24/159
10,340,053 B2 * 7/2019 Kawahara A61B 6/40
2016/0287194 A1 * 10/2016 Nariyuki A61B 6/107

* cited by examiner

Primary Examiner — Anhdao Doan
(74) *Attorney, Agent, or Firm* — Sughrue Mion, PLLC

(57) **CLAIM**
The ornamental design for an X-ray irradiation apparatus, as shown and described.

DESCRIPTION

FIG. 1 is a top, front and left side perspective view of an X-ray irradiation apparatus showing my new design; FIG. 2 is a top, rear and right side perspective view thereof; FIG. 3 is a front elevational view thereof; FIG. 4 is a rear elevational view thereof; FIG. 5 is a top plan view thereof; FIG. 6 is a bottom plan view thereof; FIG. 7 is a left side elevational view thereof; and, FIG. 8 is a right side elevational view thereof.

1 Claim, 8 Drawing Sheets

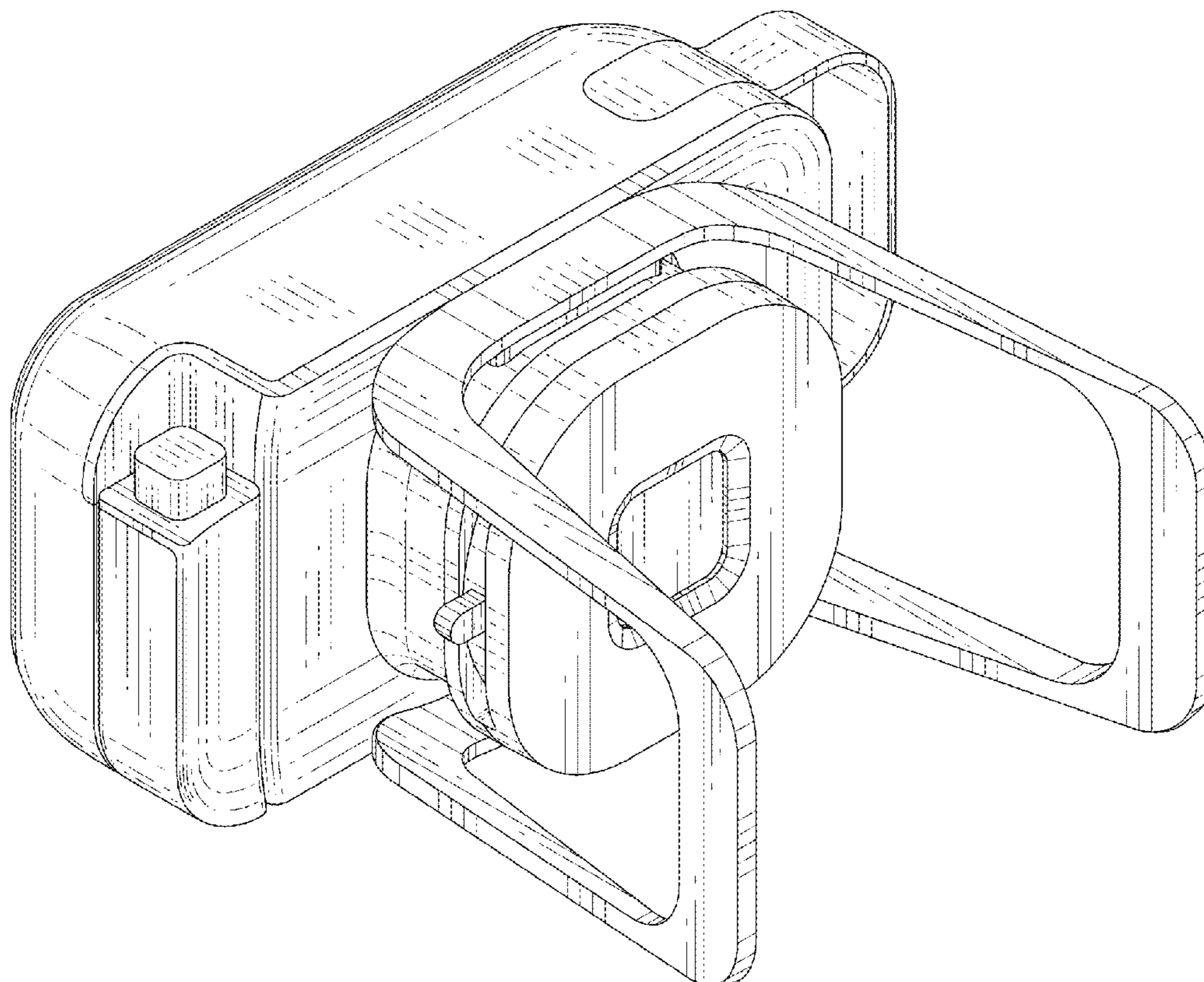


FIG.1

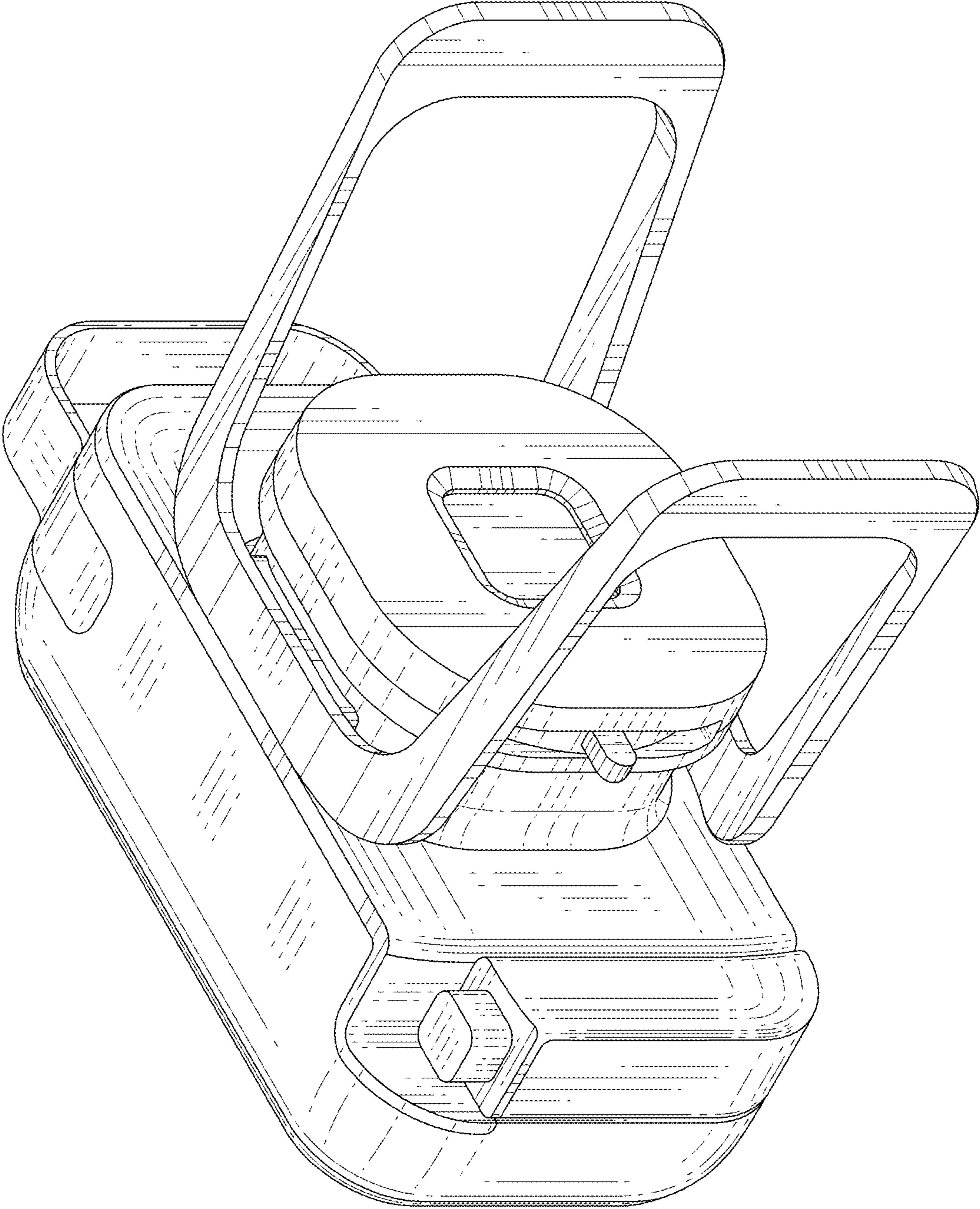


FIG.2

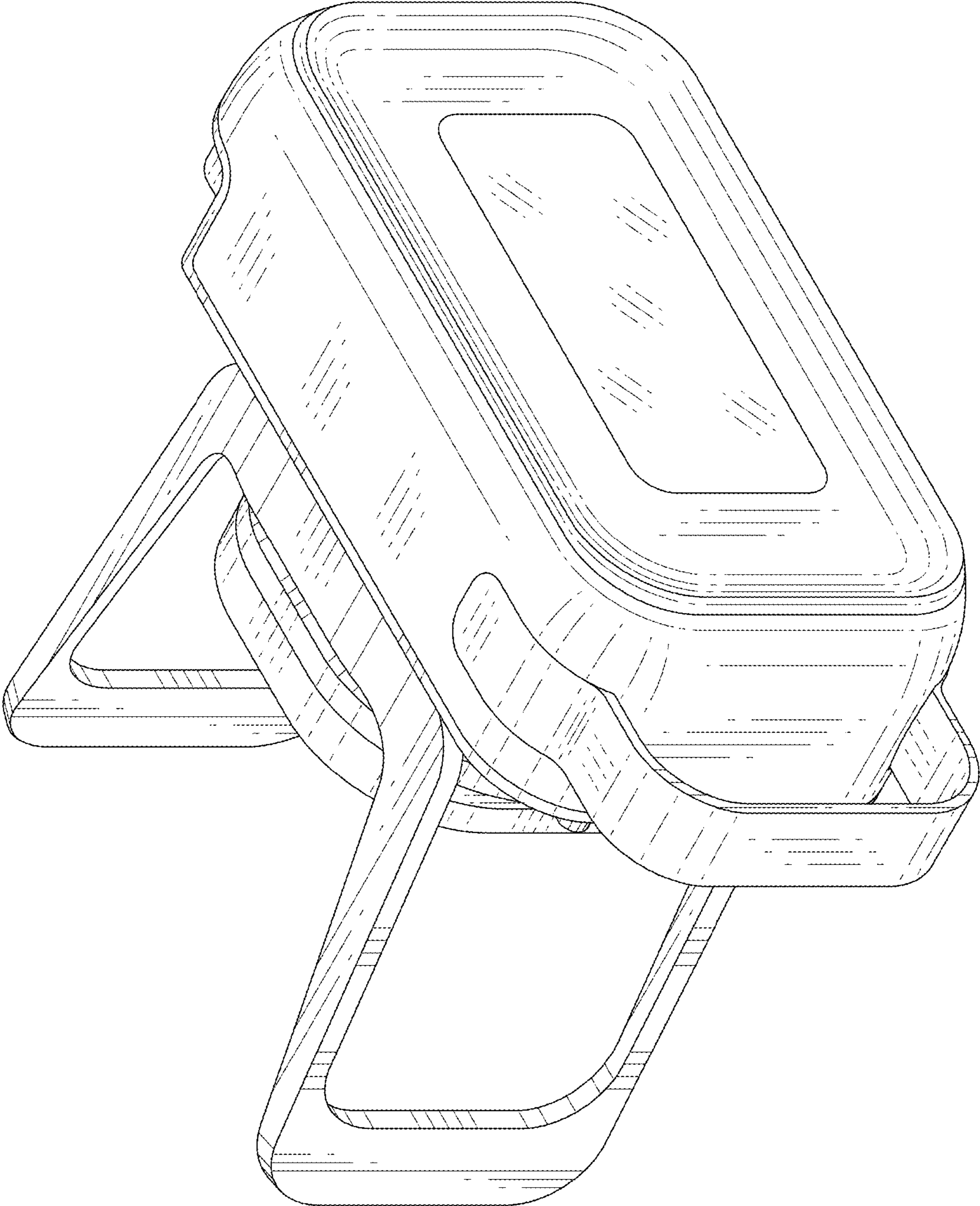


FIG.3

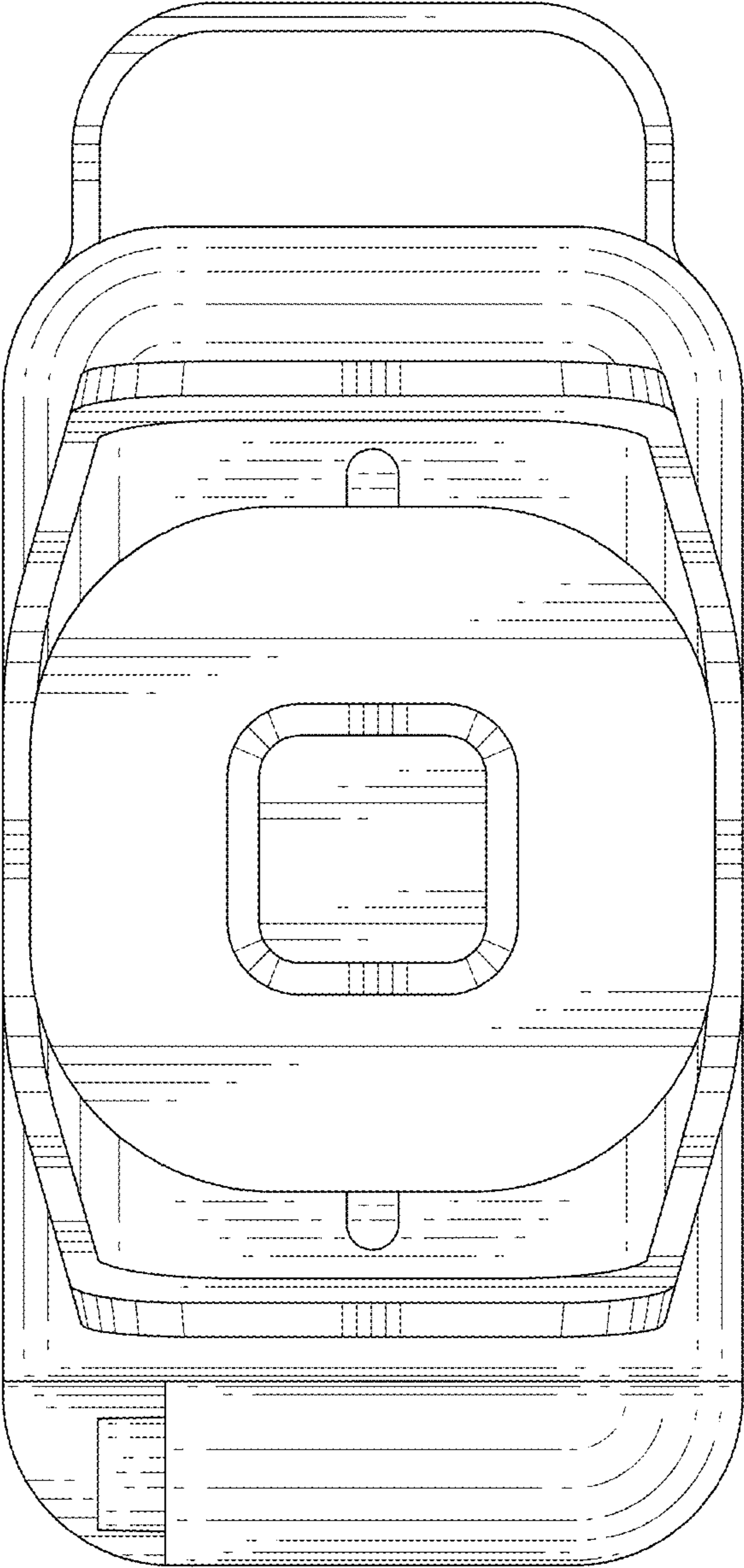


FIG.4

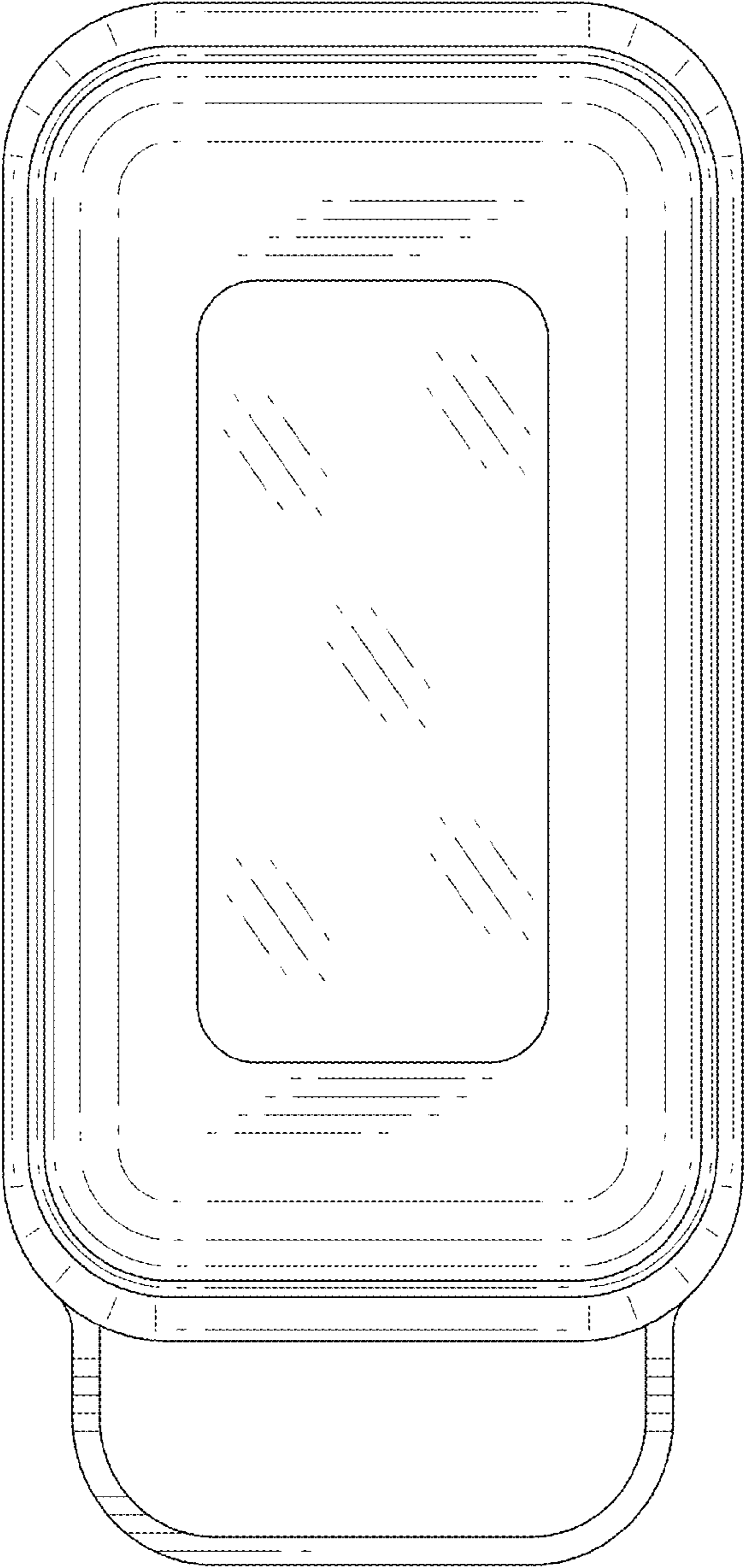


FIG. 5

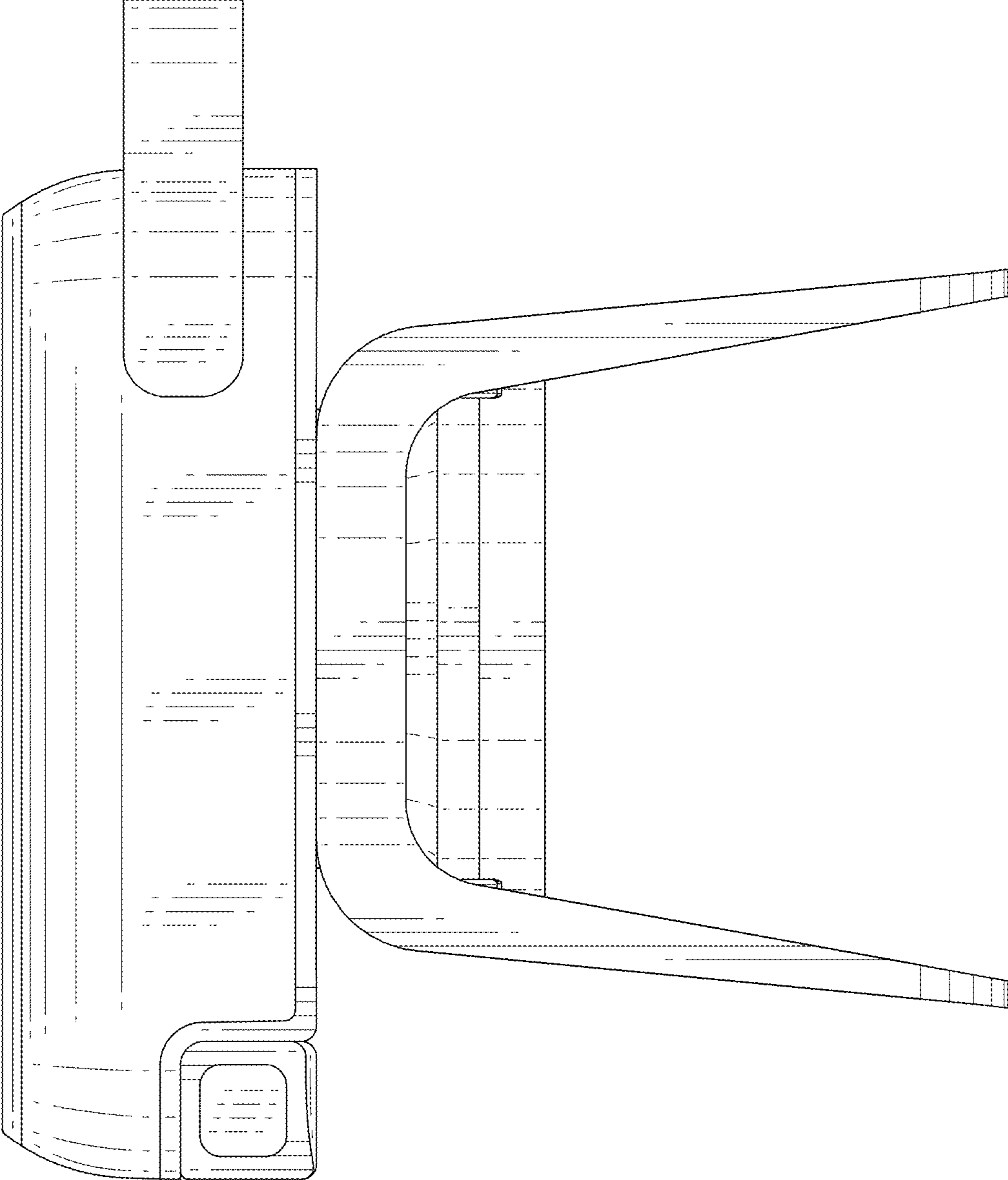


FIG.6

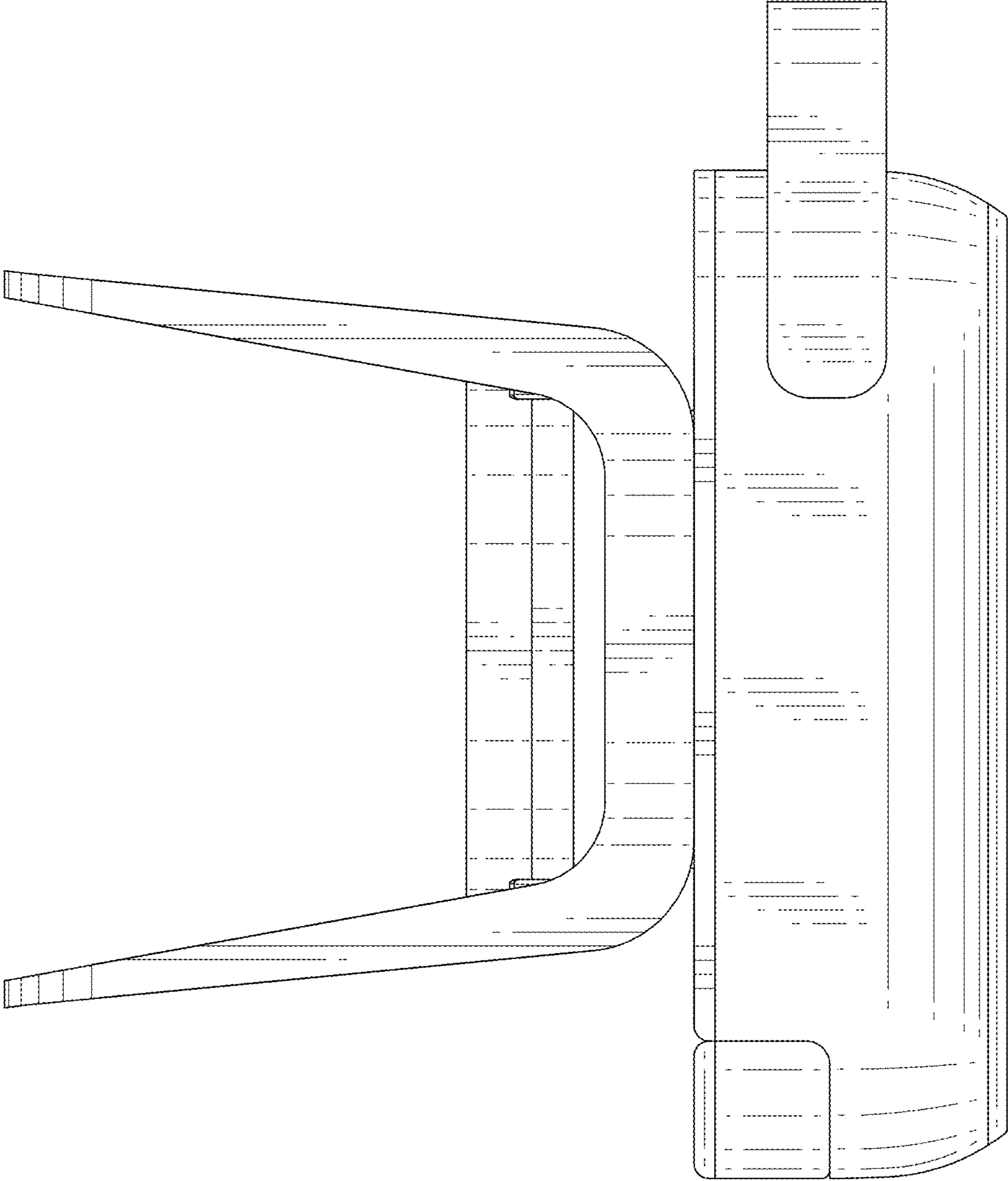


FIG. 7

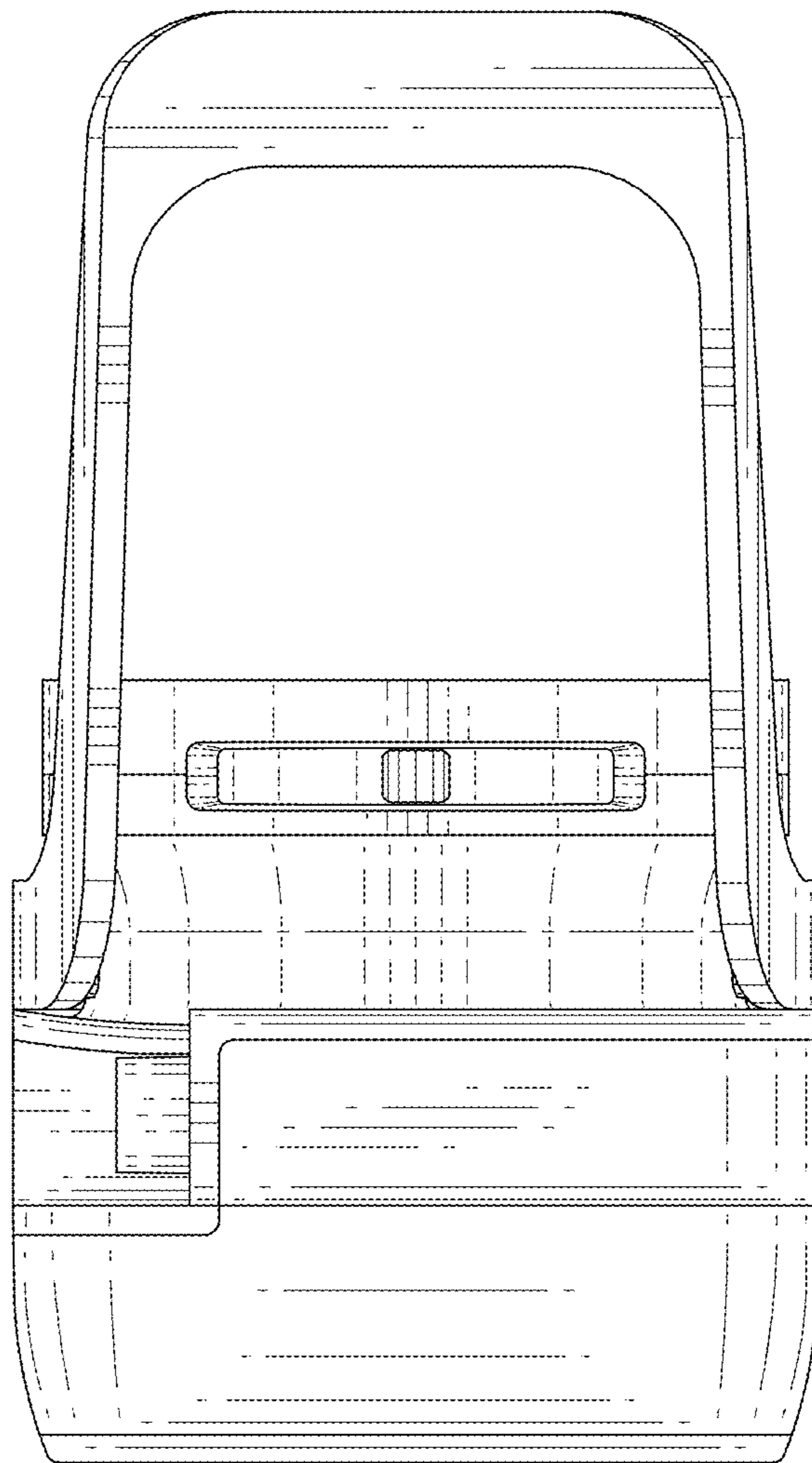


FIG. 8

