



US00D884182S

(12) **United States Design Patent**
Hörndler et al.

(10) **Patent No.:** **US D884,182 S**

(45) **Date of Patent:** **** May 12, 2020**

(54) **MOBILE X-RAY DEVICE COMPRISING INTEGRAL FLAT-PANEL DETECTOR**

(71) Applicant: **ZIEHM IMAGING GmbH**, Nürnberg (DE)

(72) Inventors: **Klaus Hörndler**, Nürnberg (DE);
Martin Törnvik, Nürnberg (DE);
Jürgen Dehler, Nürnberg (DE)

(**) Term: **15 Years**

(21) Appl. No.: **29/659,269**

(22) Filed: **Aug. 7, 2018**

Related U.S. Application Data

(63) Continuation-in-part of application No. 35/501,639, filed on Aug. 29, 2016 (U.S. filing date under 35 U.S.C. 384), and having an international filing date of Aug. 29, 2016, now abandoned.

(51) **LOC (12) Cl.** **24-01**

(52) **U.S. Cl.**
USPC **D24/158**

(58) **Field of Classification Search**
USPC D24/158-161, 185, 186, 107
CPC ... A61B 6/4405; A61B 6/4411; A61B 6/4435;
A61B 6/4441; A61B 6/4447; A61B
8/4405; A61B 8/4411; A61B 8/4427;
A61B 8/462; A61B 8/0437; A61B 8/0883
See application file for complete search history.

(56) **References Cited**

U.S. PATENT DOCUMENTS

6,609,826 B1 * 8/2003 Fujii A61B 6/12
378/197
D785,183 S * 4/2017 Ogura D24/158
D786,439 S * 5/2017 Kim D24/158
D786,440 S * 5/2017 Boehner D24/158

D790,065 S * 6/2017 O'Connor D24/158
D790,066 S * 6/2017 Lei D24/158
D796,043 S * 8/2017 Boehner D24/158
D796,679 S * 9/2017 Dekock D24/158
2008/0123819 A1 * 5/2008 Jensen A61B 6/4405
378/198
2010/0329427 A1 * 12/2010 Takae A61B 6/4283
378/98.5
2016/0120489 A1 * 5/2016 Yang A61B 6/4266
378/62
2016/0199013 A1 * 7/2016 Moreno Vallejo A61B 6/447
378/194

* cited by examiner

Primary Examiner — Darlington Ly

(74) *Attorney, Agent, or Firm* — Knobbe, Martens, Olson & Bear LLP

(57) **CLAIM**

The ornamental design for a mobile X-ray device comprising integrated flat-panel detector, as shown and described.

DESCRIPTION

FIG. 1 is a front elevation view of a mobile X-ray device comprising integral flat-panel detector showing our new design;

FIG. 2 is a rear elevation view thereof;

FIG. 3 is a top plan view thereof;

FIG. 4 is a right side elevation view thereof;

FIG. 5 is a left side elevation view thereof;

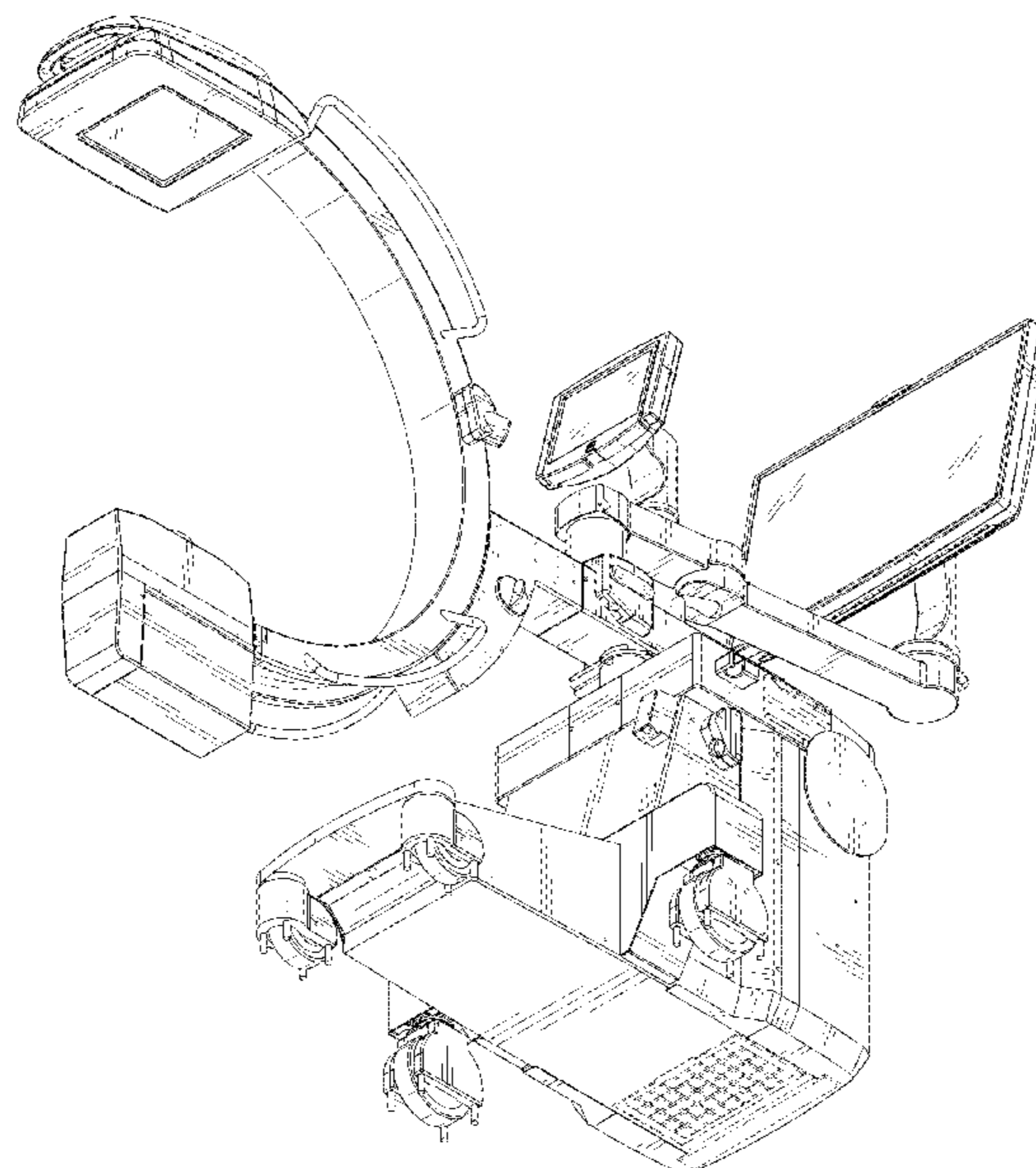
FIG. 6 is a bottom plan view thereof;

FIG. 7 is a top, rear, and right side perspective view thereof; and,

FIG. 8 is a bottom, front, and left side perspective view thereof.

The broken lines in the drawings illustrate portions of the mobile X-ray device comprising integral flat-panel detector that form no part of the claimed design.

1 Claim, 8 Drawing Sheets



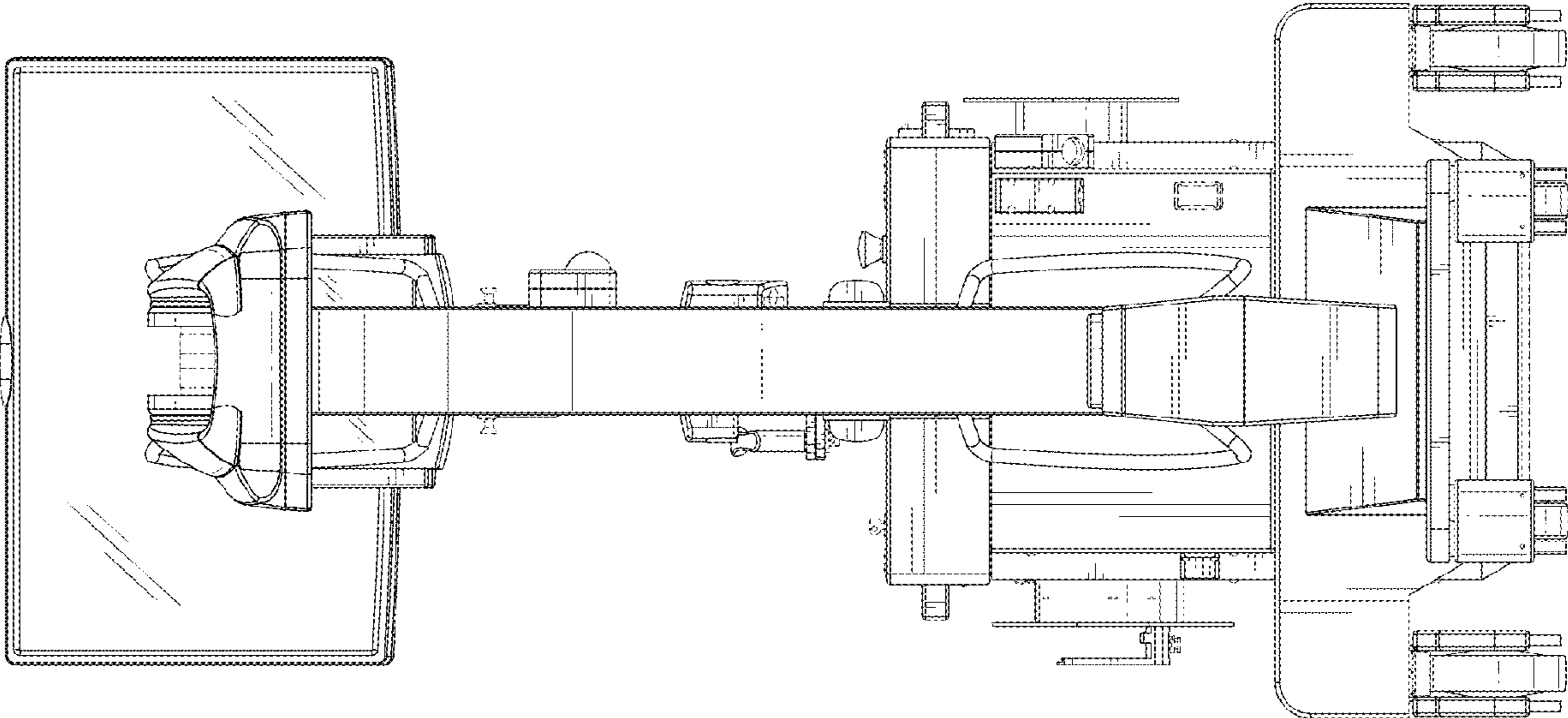


FIG. 1

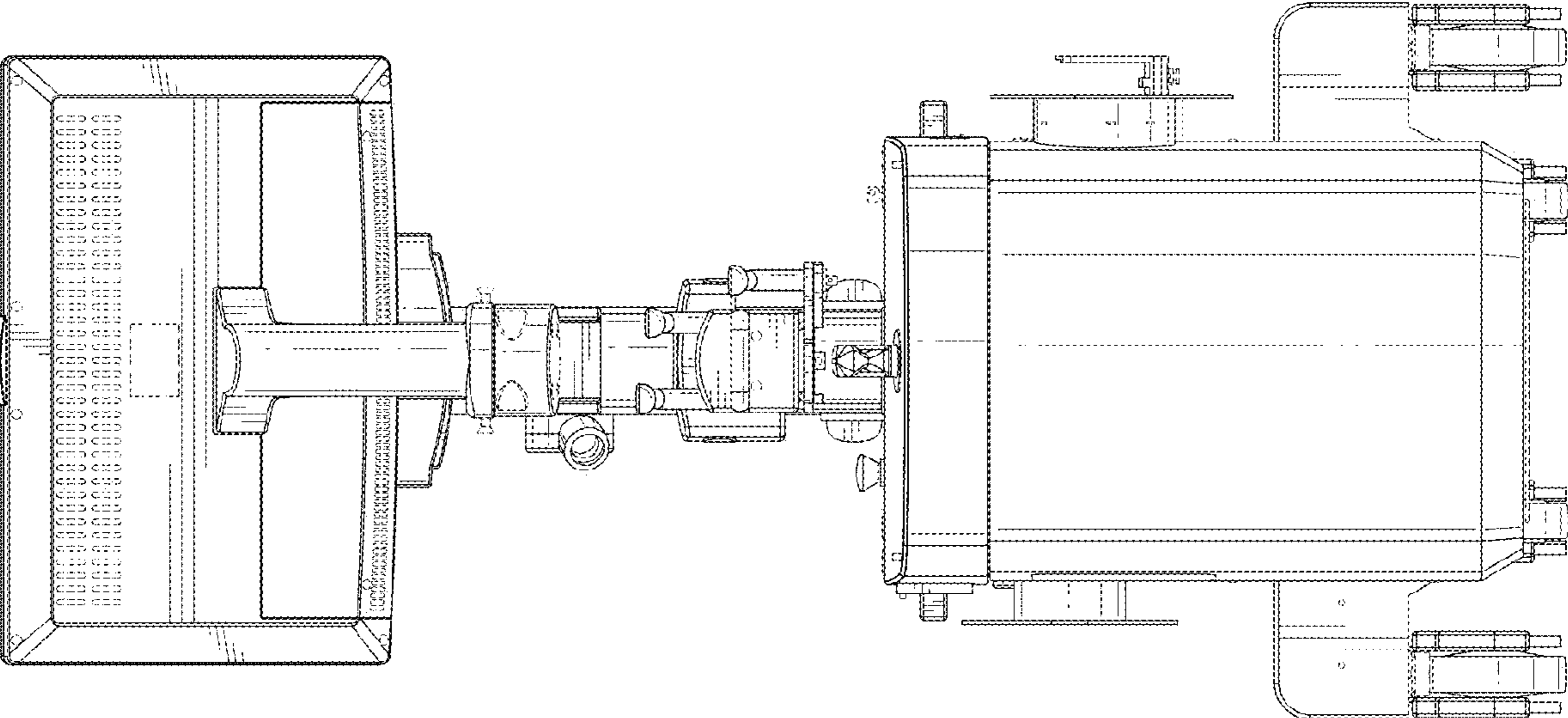


FIG. 2

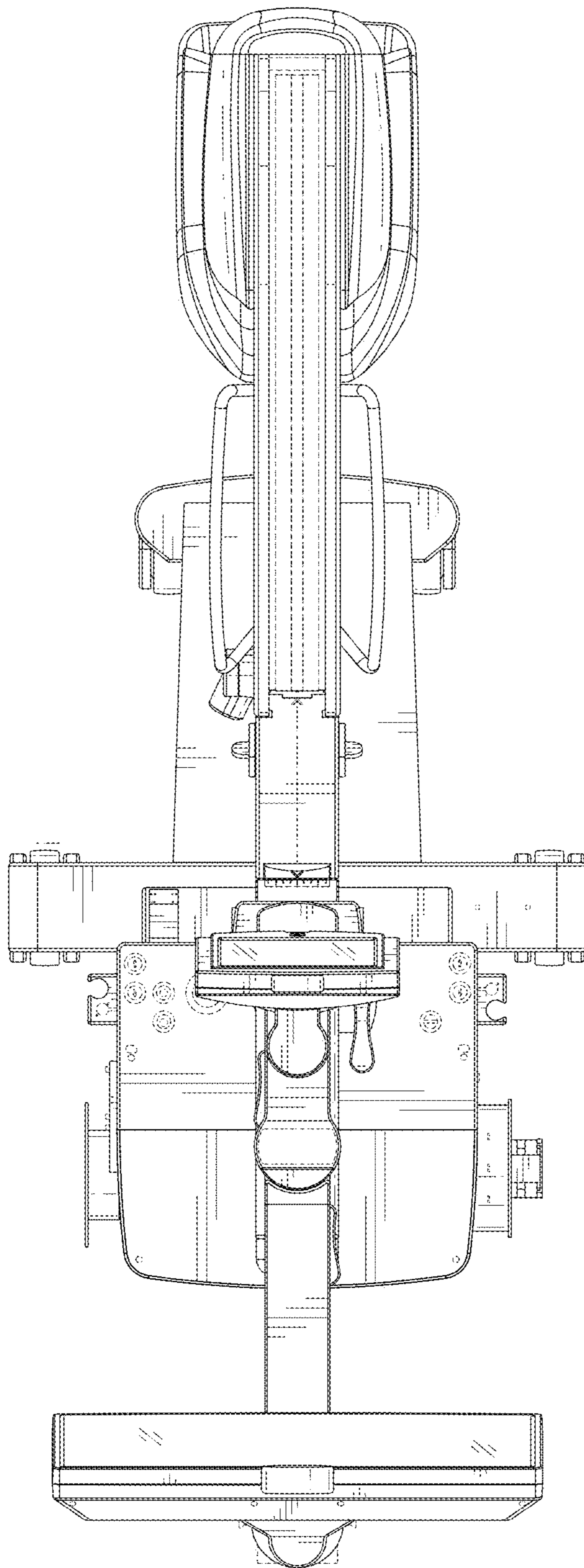


FIG. 3

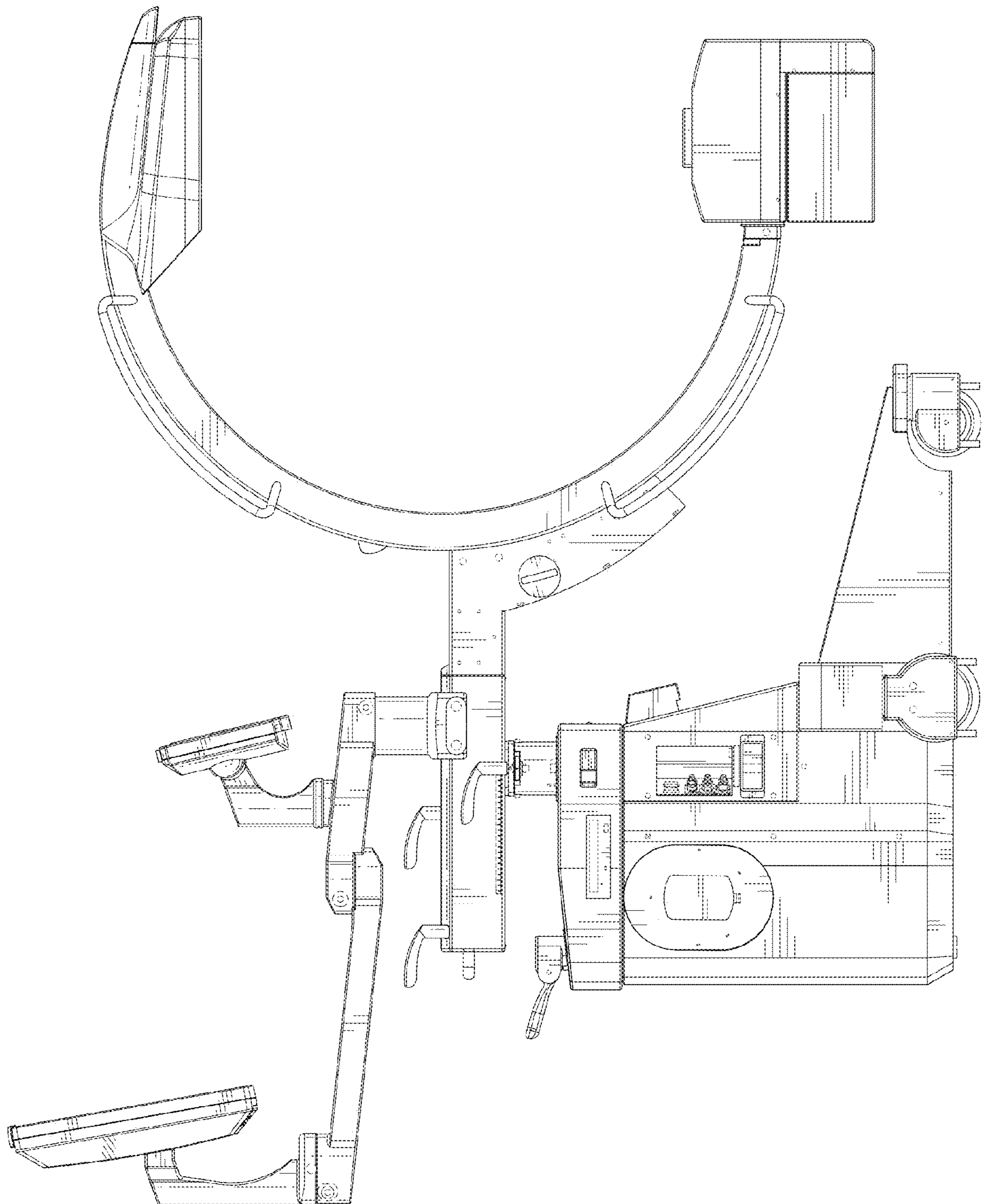


FIG. 4

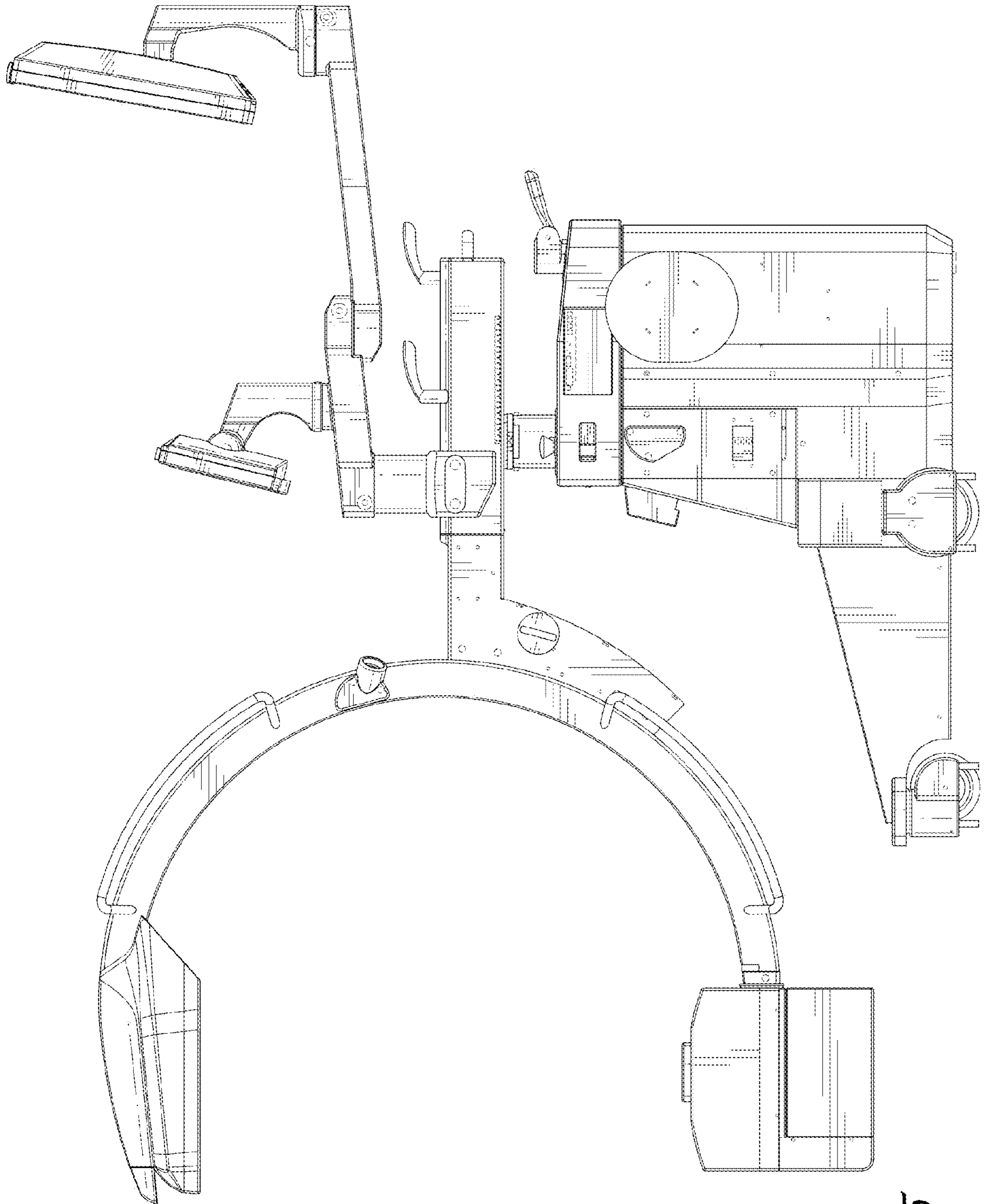


FIG. 5

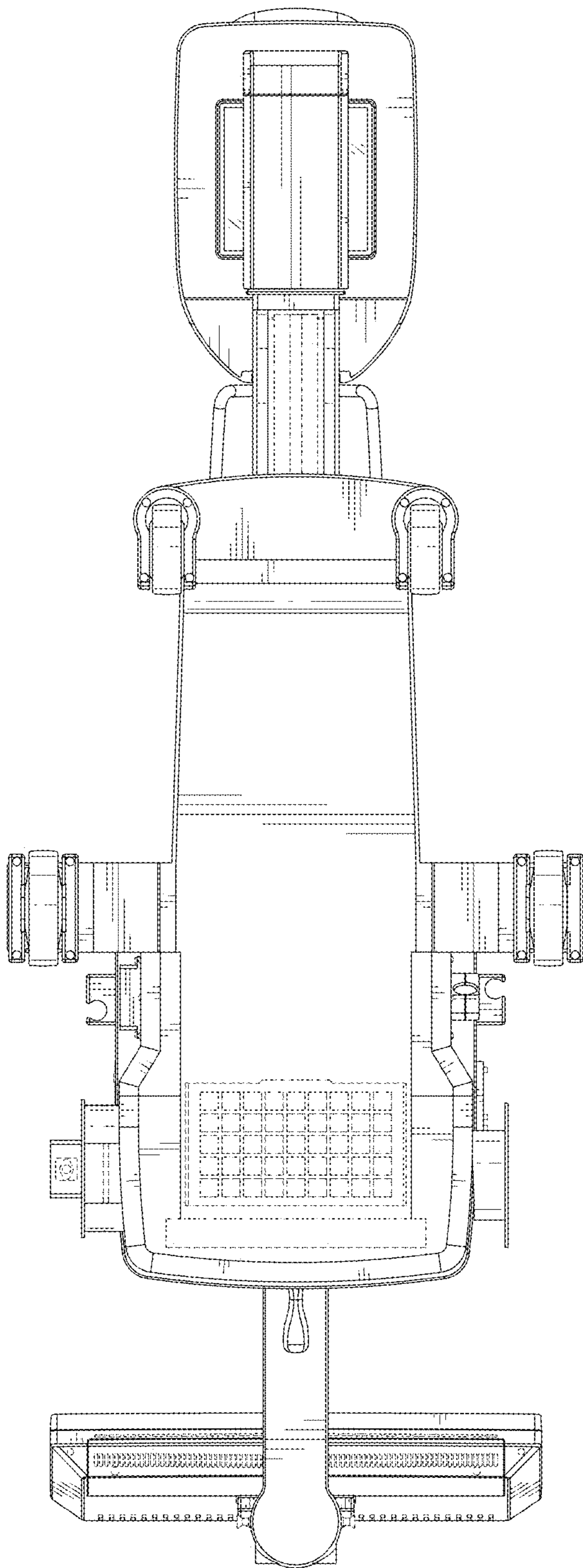


FIG. 6

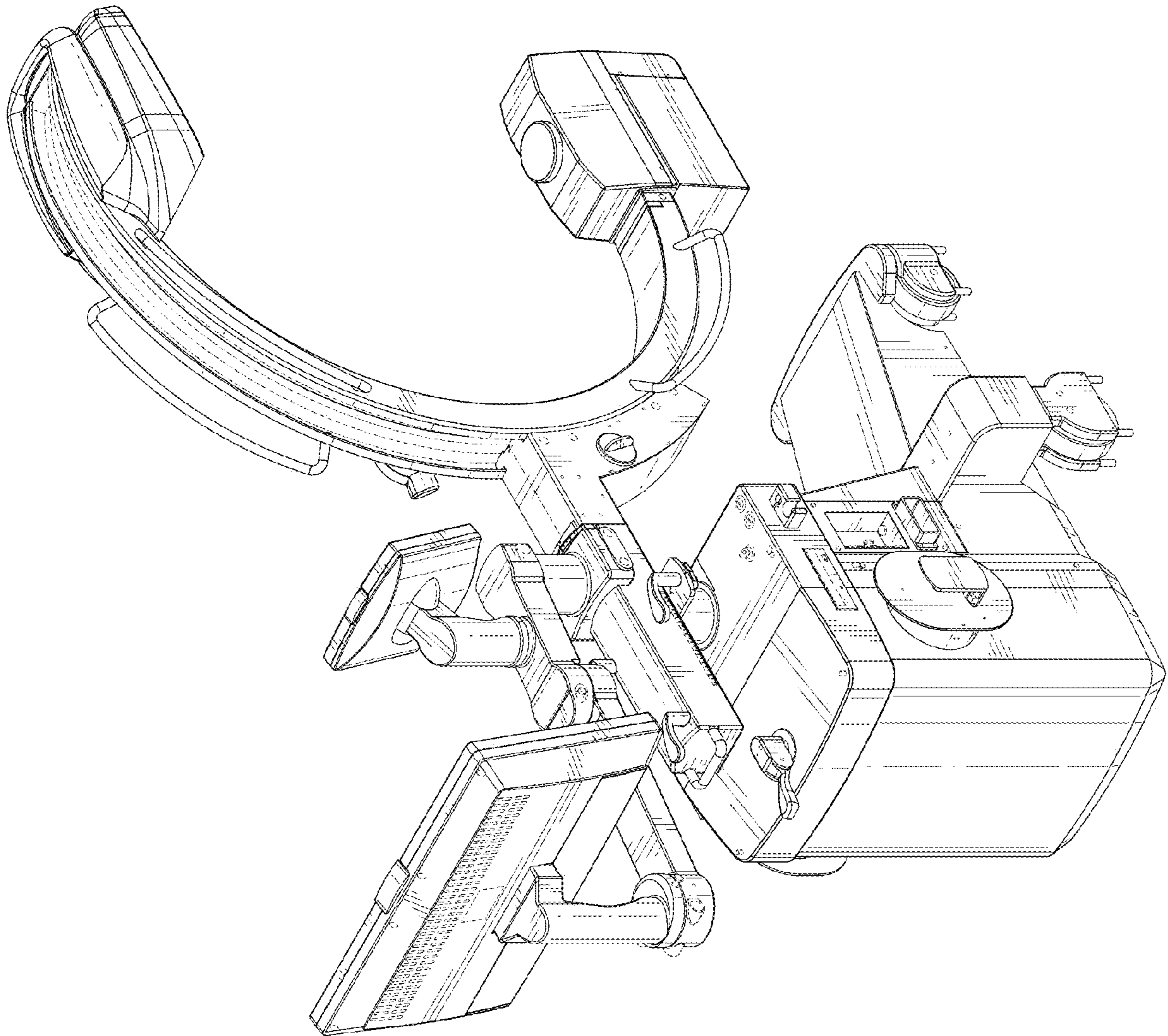


FIG. 7

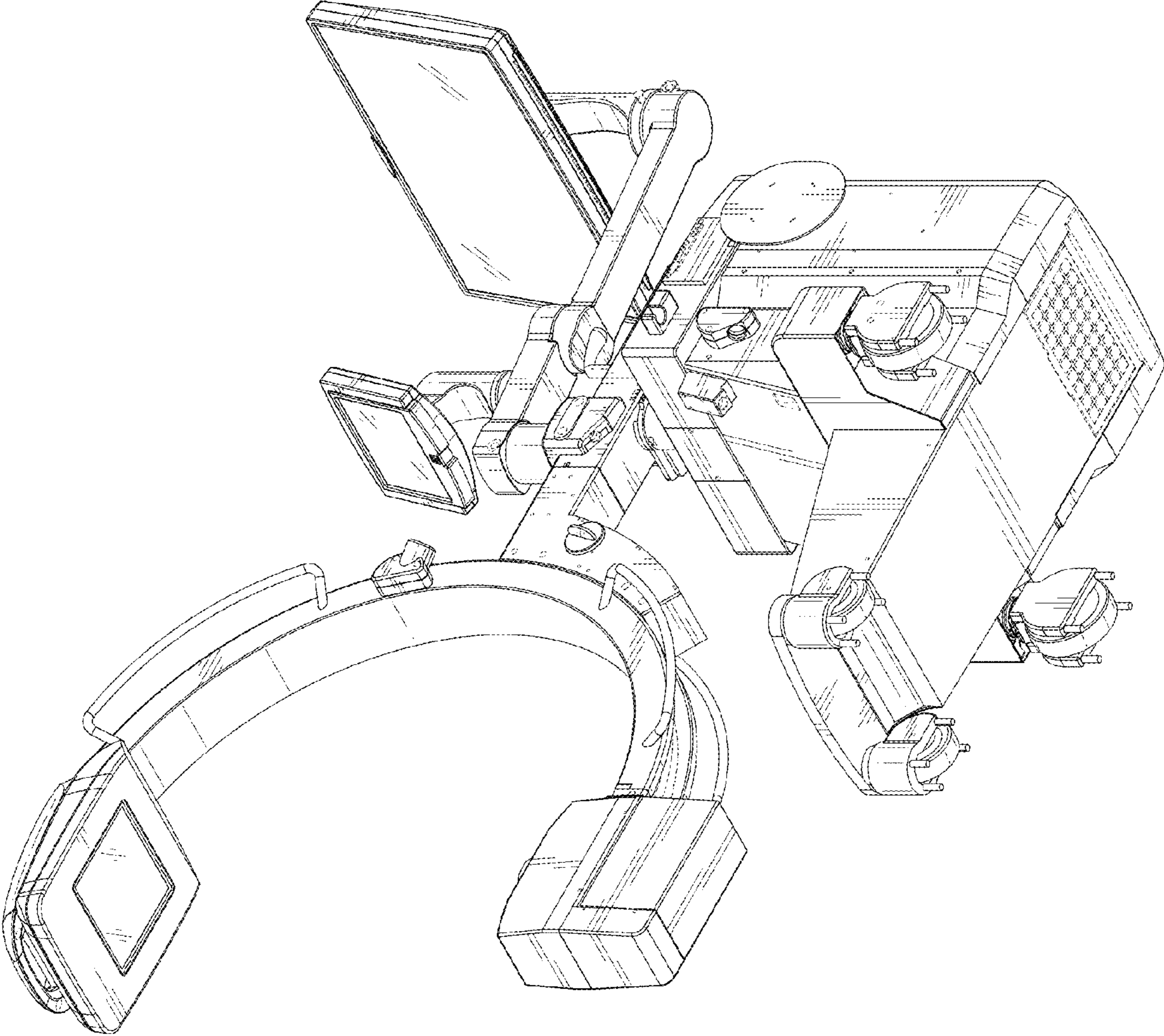


FIG. 8