



US00D884181S

(12) **United States Design Patent** (10) **Patent No.:** **US D884,181 S**
Iwasaki et al. (45) **Date of Patent:** **** May 12, 2020**

- (54) **CROWN WITH RING**
- (71) Applicant: **KAGOSHIMA UNIVERSITY**,
Kagoshima-shi, Kagoshima (JP)
- (72) Inventors: **Tomonori Iwasaki**, Kagoshima (JP);
Youichi Yamasaki, Kagoshima (JP)
- (73) Assignee: **KAGOSHIMA UNIVERSITY**,
Kagoshima (JP)
- (**) Term: **15 Years**
- (21) Appl. No.: **29/667,306**
- (22) Filed: **Oct. 19, 2018**
- (51) **LOC (12) Cl.** **24-03**
- (52) **U.S. Cl.**
USPC **D24/156**
- (58) **Field of Classification Search**
USPC D24/155, 156
CPC A61C 13/00; A61C 13/09; A61C 13/082;
A61C 13/26; A61C 5/002; A61C 5/08
See application file for complete search history.

6,884,073 B2 *	4/2005	Chilibeck	A61C 5/30 433/219
7,008,229 B2 *	3/2006	Stoller	A61C 13/0003 433/222.1
D652,928 S *	1/2012	Kawata	D24/156
D662,594 S *	6/2012	Hansen	D24/156
D713,964 S *	9/2014	Hochman	D24/156
D782,680 S *	3/2017	Goldiner	D24/156
2011/0117524 A1 *	5/2011	McDonald	A61C 5/70 433/219

* cited by examiner

Primary Examiner — Charles D Hanson

(74) *Attorney, Agent, or Firm* — Arent Fox LLP

(57) **CLAIM**

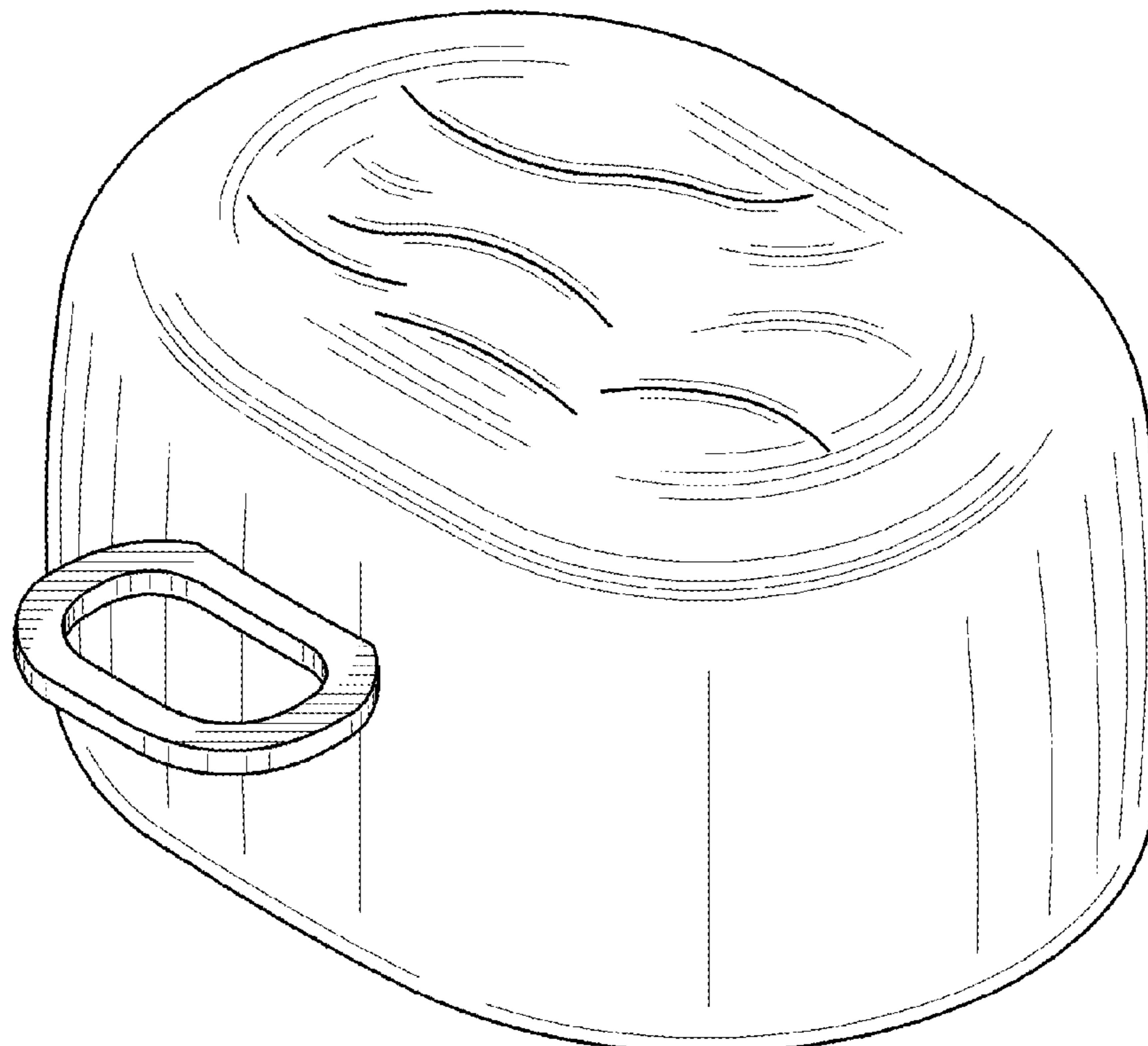
The ornamental design for a crown with ring, as shown and described.

DESCRIPTION

FIG. 1 is a front view of a crown with ring our new design; FIG. 2 is a rear view of the design shown in FIG. 1; FIG. 3 is a top view of the design shown in FIG. 1; FIG. 4 is a bottom view of the design shown in FIG. 1; FIG. 5 is a right side view of the design shown in FIG. 1; FIG. 6 is a left side view of the design shown in FIG. 1; FIG. 7 a cross sectional view of the design shown in FIG. 1 taken along line 7-7; and, FIG. 8 is a top front right perspective view of the design shown in FIG. 1.

1 Claim, 8 Drawing Sheets

- (56) **References Cited**
U.S. PATENT DOCUMENTS
- 1,609,550 A * 12/1926 Jaques, Jr. A61C 5/70
433/218
- 2,219,058 A * 10/1940 Streim A61C 13/0003
433/219
- 6,592,373 B2 * 7/2003 Zilberman A61C 13/20
433/218



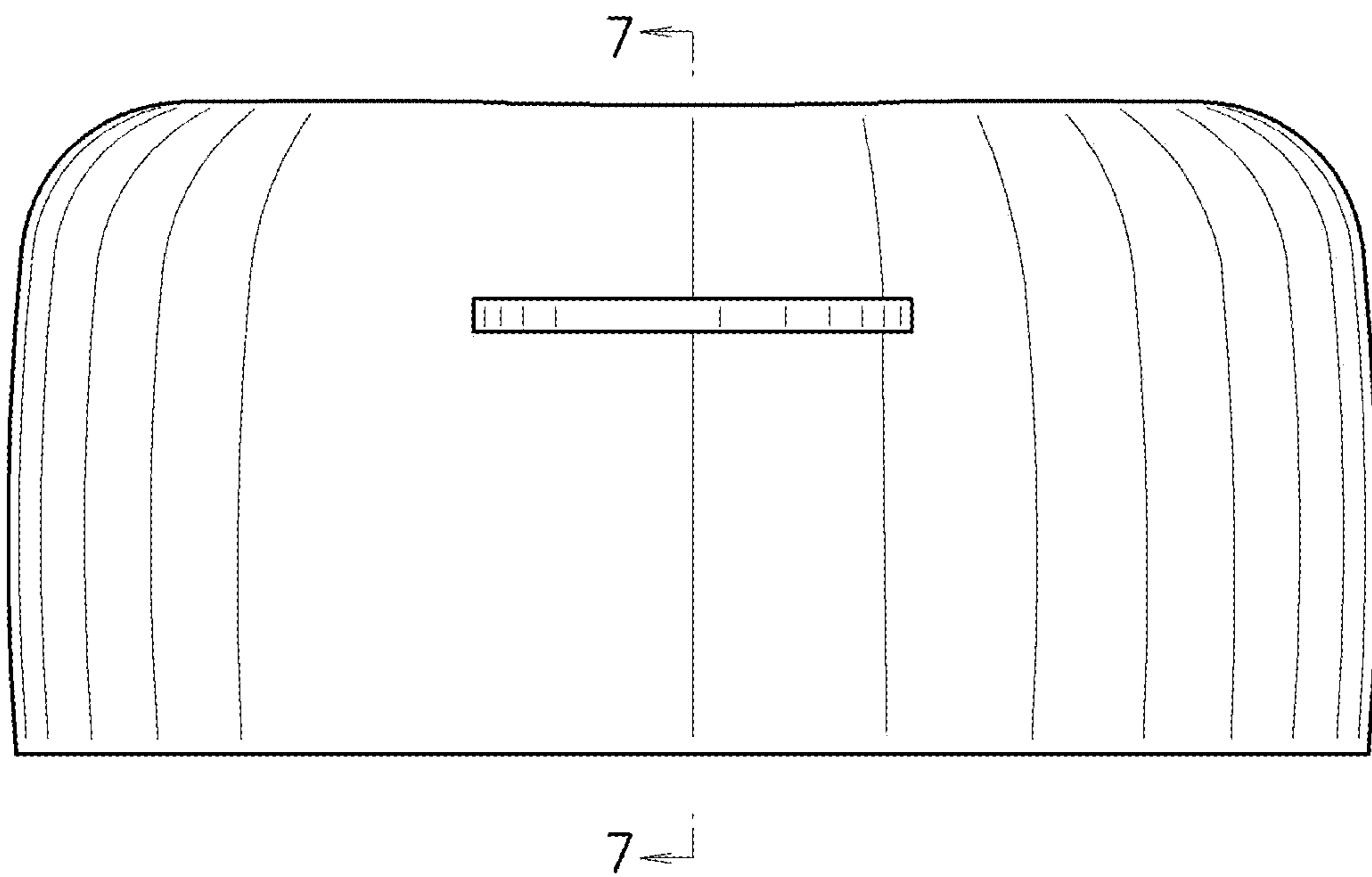


FIG. 1

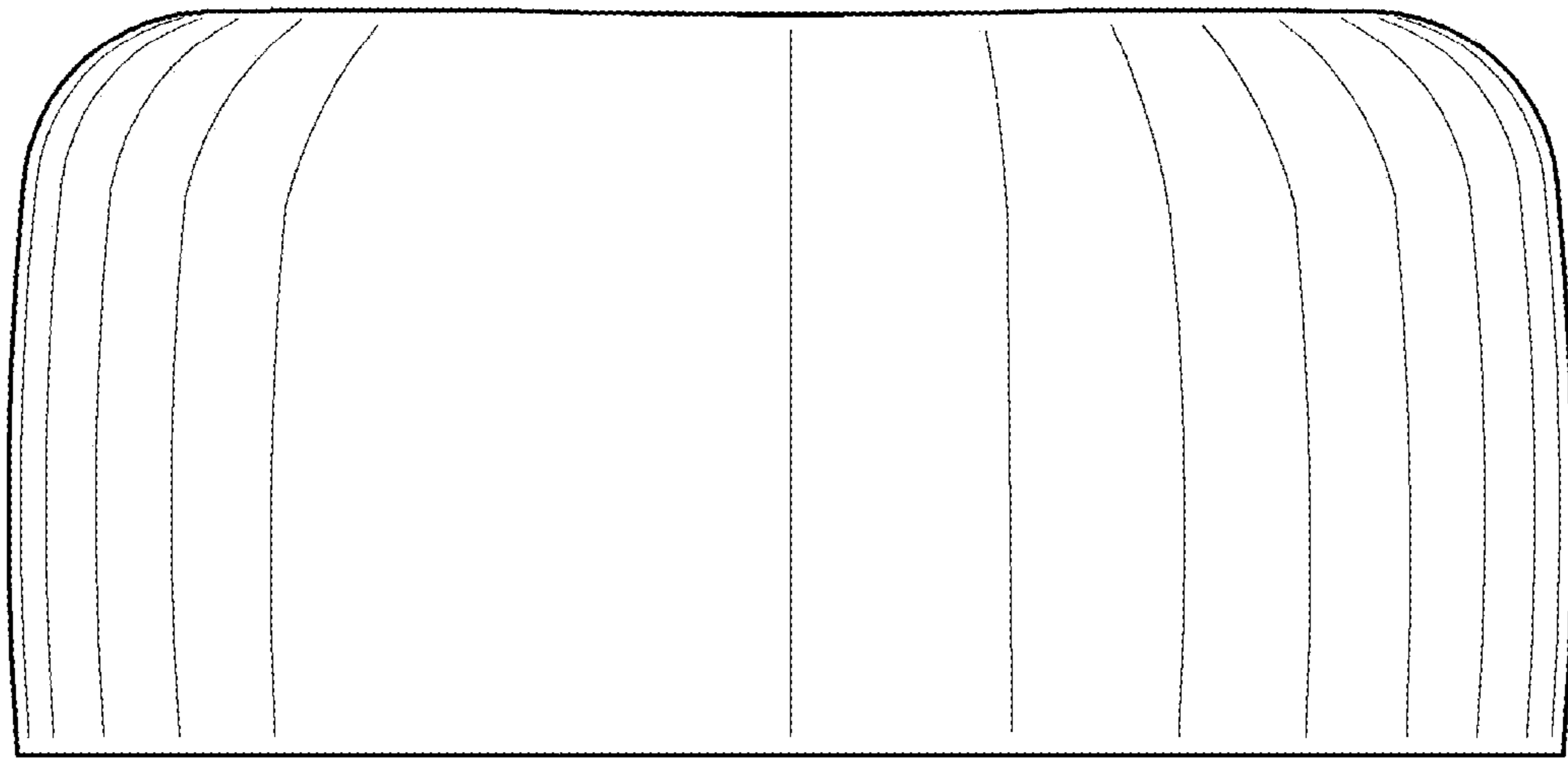


FIG. 2

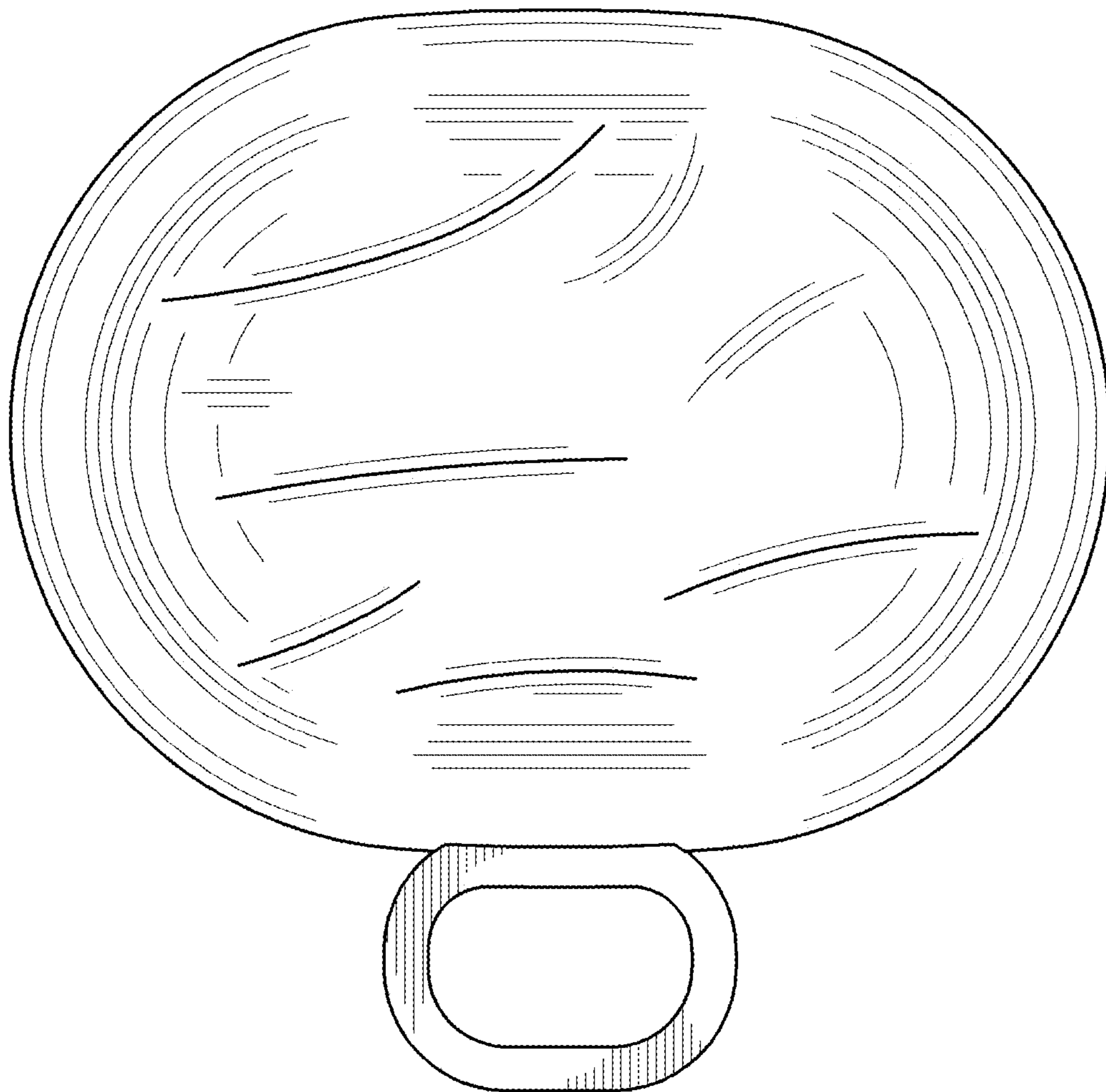


FIG. 3

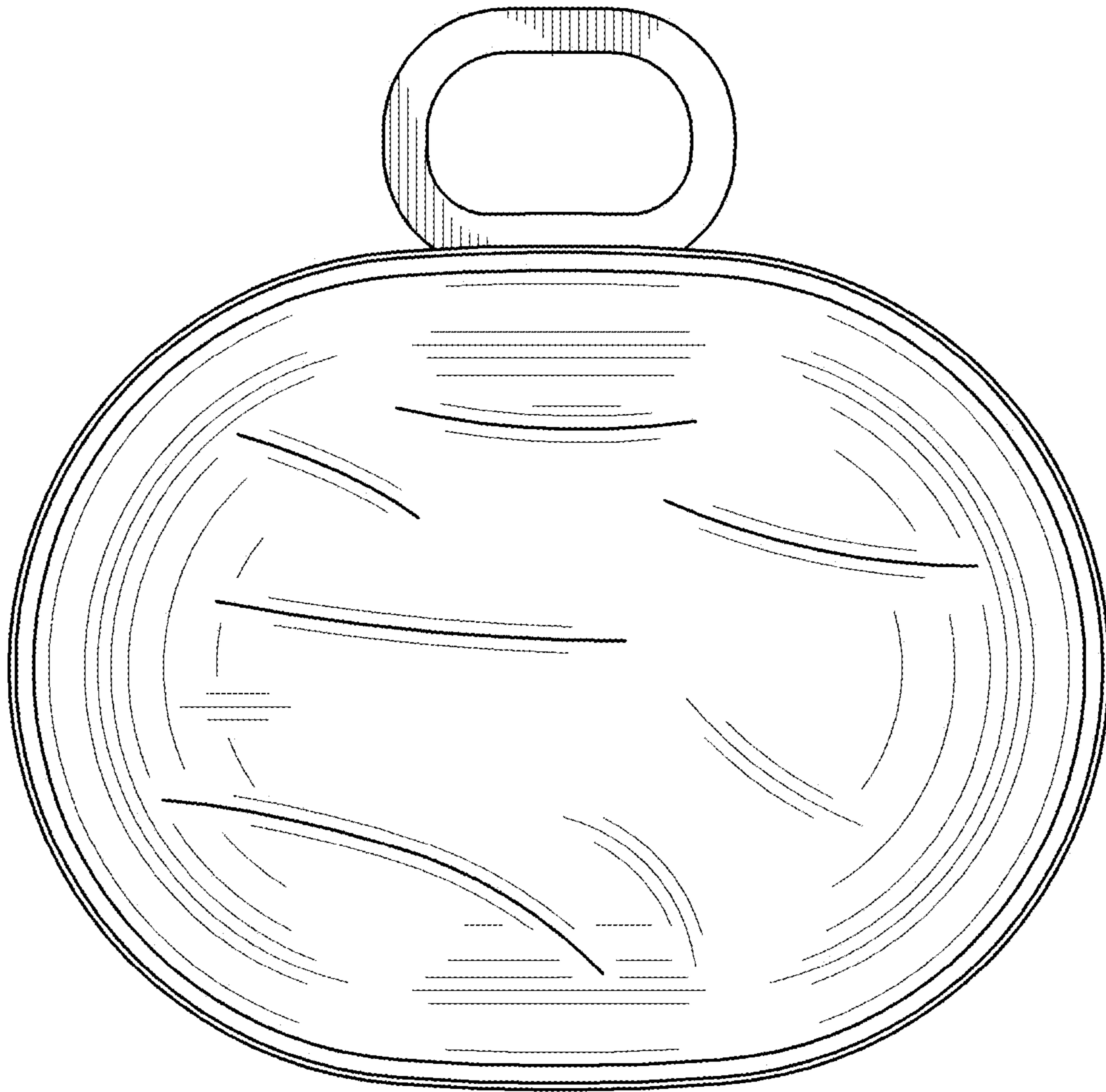


FIG. 4

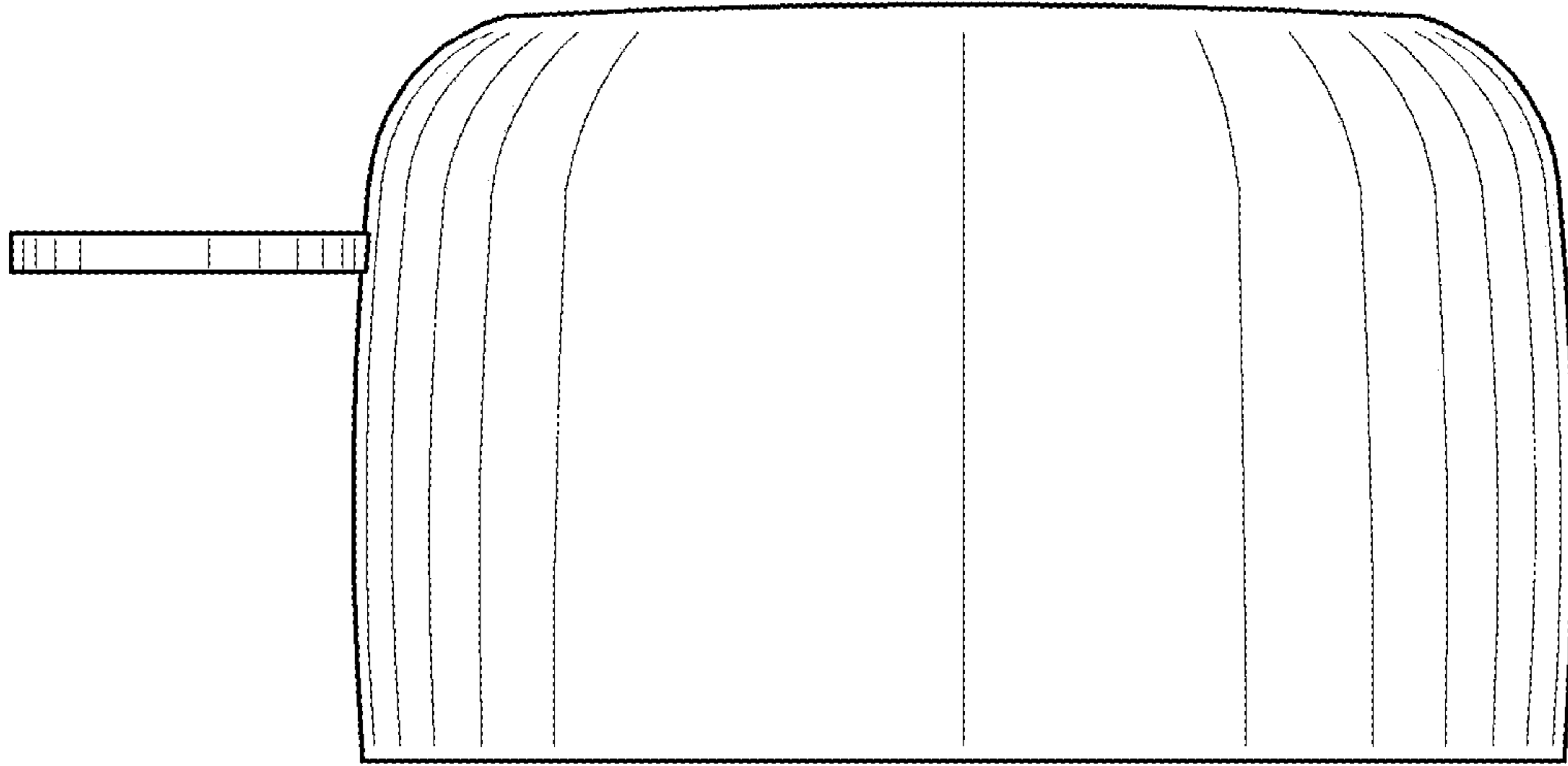


FIG. 5

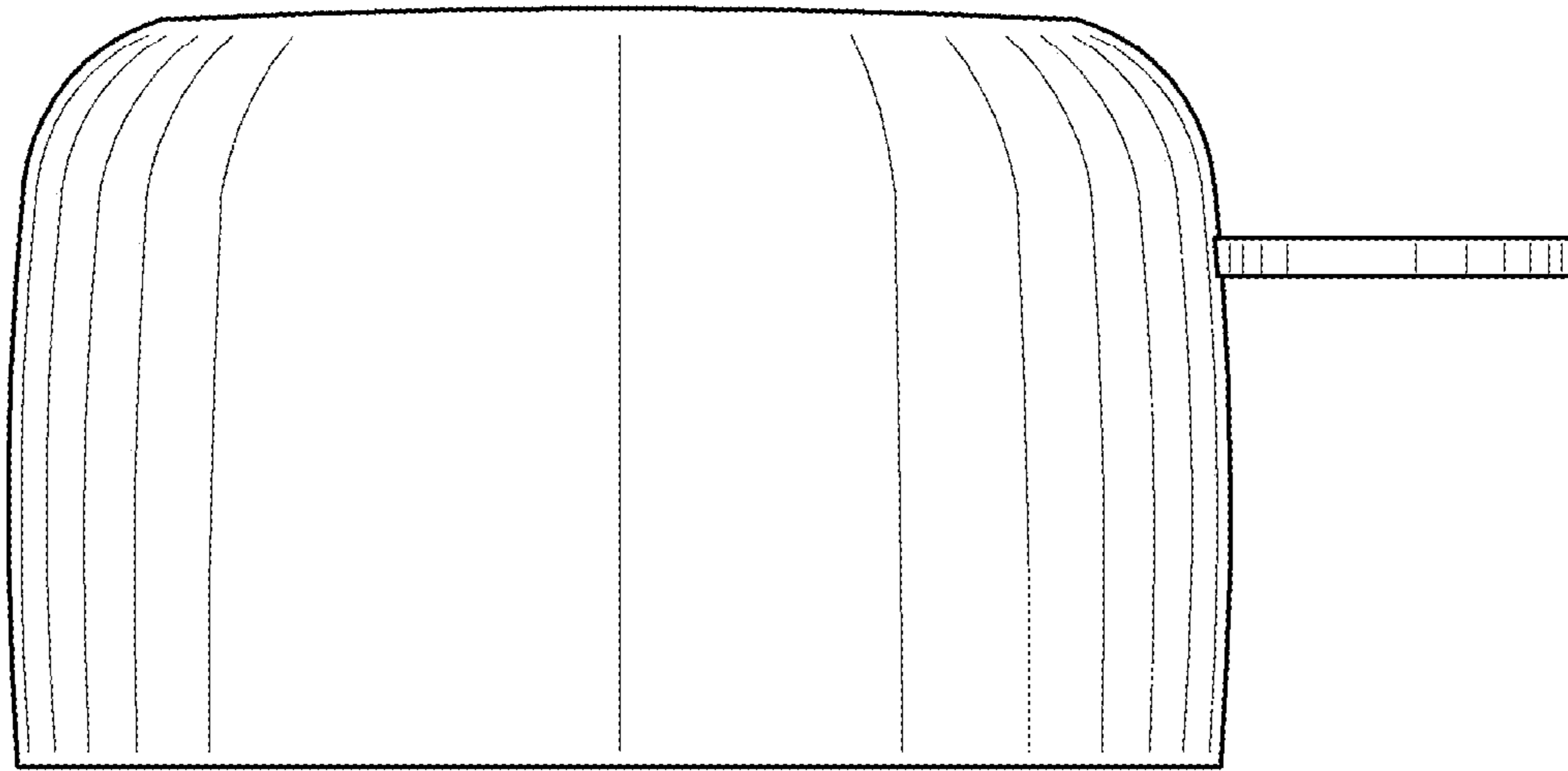


FIG. 6

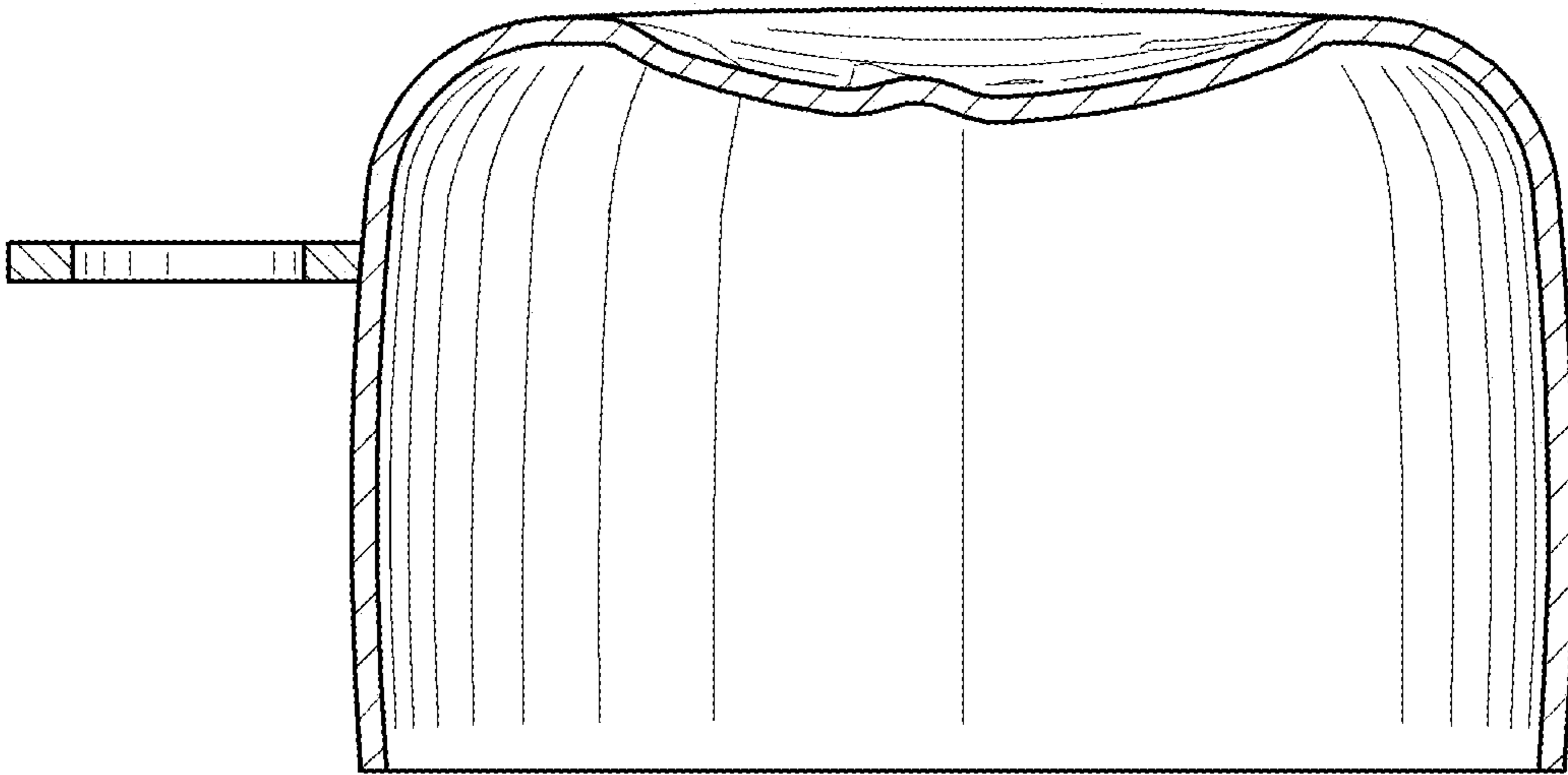


FIG. 7

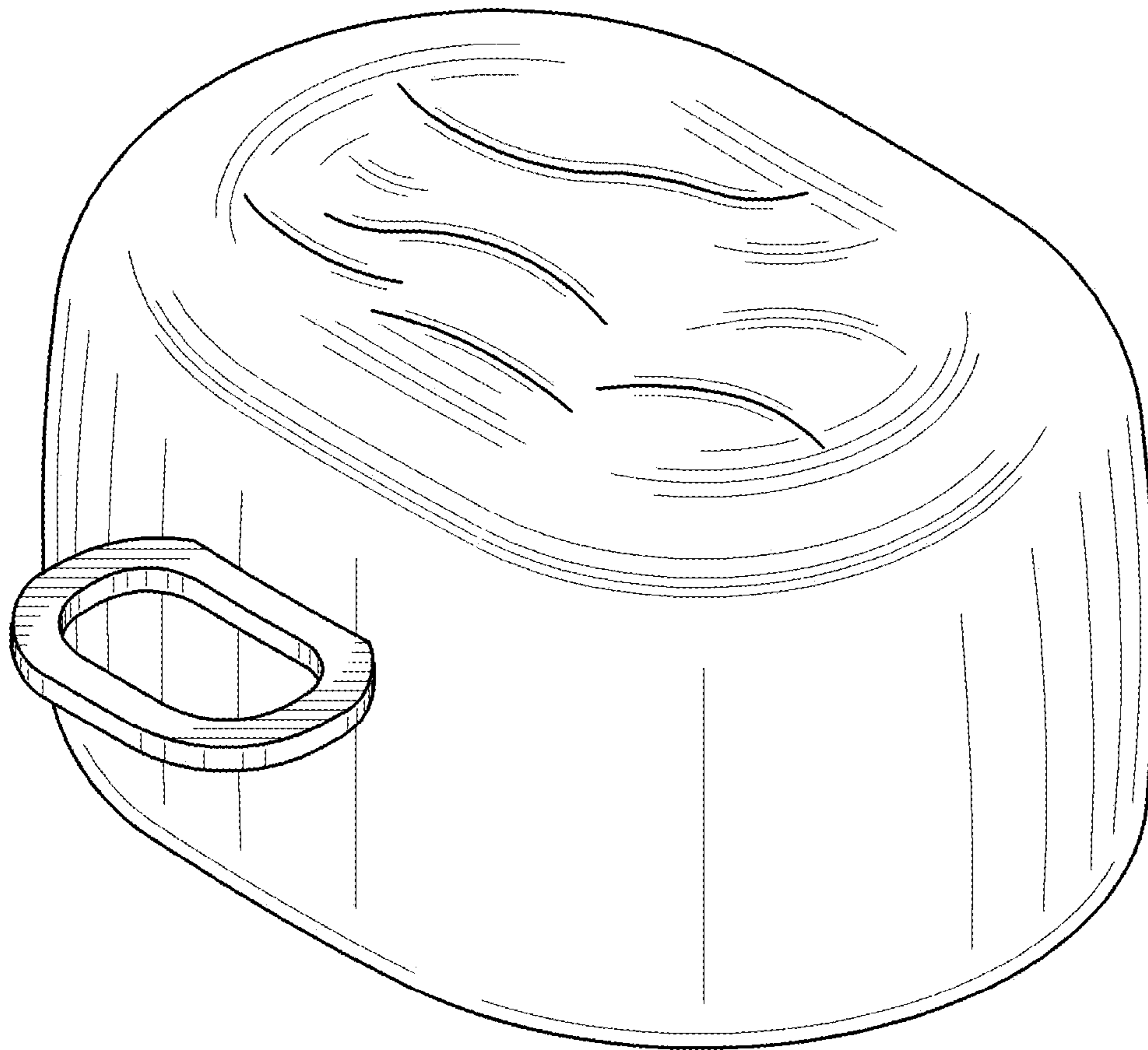


FIG. 8