



US00D884180S

(12) **United States Design Patent** (10) **Patent No.:** **US D884,180 S**
DaCosta (45) **Date of Patent:** **** May 12, 2020**

- (54) **BONE WEDGE IMPLANT**
- (71) Applicant: **Paragon 28, Inc.**, Englewood, CO (US)
- (72) Inventor: **Albert DaCosta**, Lone Tree, CO (US)
- (73) Assignee: **Paragon 28, INC.**, Englewood, CO (US)
- (**) Term: **15 Years**
- (21) Appl. No.: **29/687,225**
- (22) Filed: **Apr. 11, 2019**

8,357,167	B2 *	1/2013	Errico	A61F 2/442	606/90
D691,272	S *	10/2013	Dacosta	D24/155	
D720,456	S *	12/2014	Dacosta	D24/155	
D720,457	S *	12/2014	Bono	D24/155	
D767,133	S *	9/2016	Gotfried	D24/155	
9,585,765	B2 *	3/2017	Niemiec	A61F 2/447	
D794,796	S *	8/2017	Lin	D24/155	
2003/0105526	A1 *	6/2003	Bryant	A61F 2/28	623/16.11

* cited by examiner

Primary Examiner — Charles D Hanson
(74) *Attorney, Agent, or Firm* — Heslin Rothenberg Farley & Mesiti P.C.

Related U.S. Application Data

- (63) Continuation of application No. 29/538,559, filed on Sep. 4, 2015, now Pat. No. Des. 849,944.
- (51) **LOC (12) Cl.** **24-03**
- (52) **U.S. Cl.**
USPC **D24/155**
- (58) **Field of Classification Search**
USPC D24/155
CPC A61F 2/4611; A61F 2/442; A61F 2/447;
A61F 2220/0025; A61F 2310/00023;
A61F 2310/00017; A61F 2002/4475;
A61F 2002/30841; A61F 2002/2835;
A61F 2002/30904; A61F 2002/30785;
A61F 2002/443; A61F 2002/30578
See application file for complete search history.

References Cited

U.S. PATENT DOCUMENTS

4,863,477	A *	9/1989	Monson	A61F 2/441	623/17.12
6,008,433	A *	12/1999	Stone	A61B 17/68	623/20.14
6,723,097	B2 *	4/2004	Fraser	A61F 2/4684	606/247

(57) **CLAIM**

The ornamental design for a bone wedge implant, as shown and described.

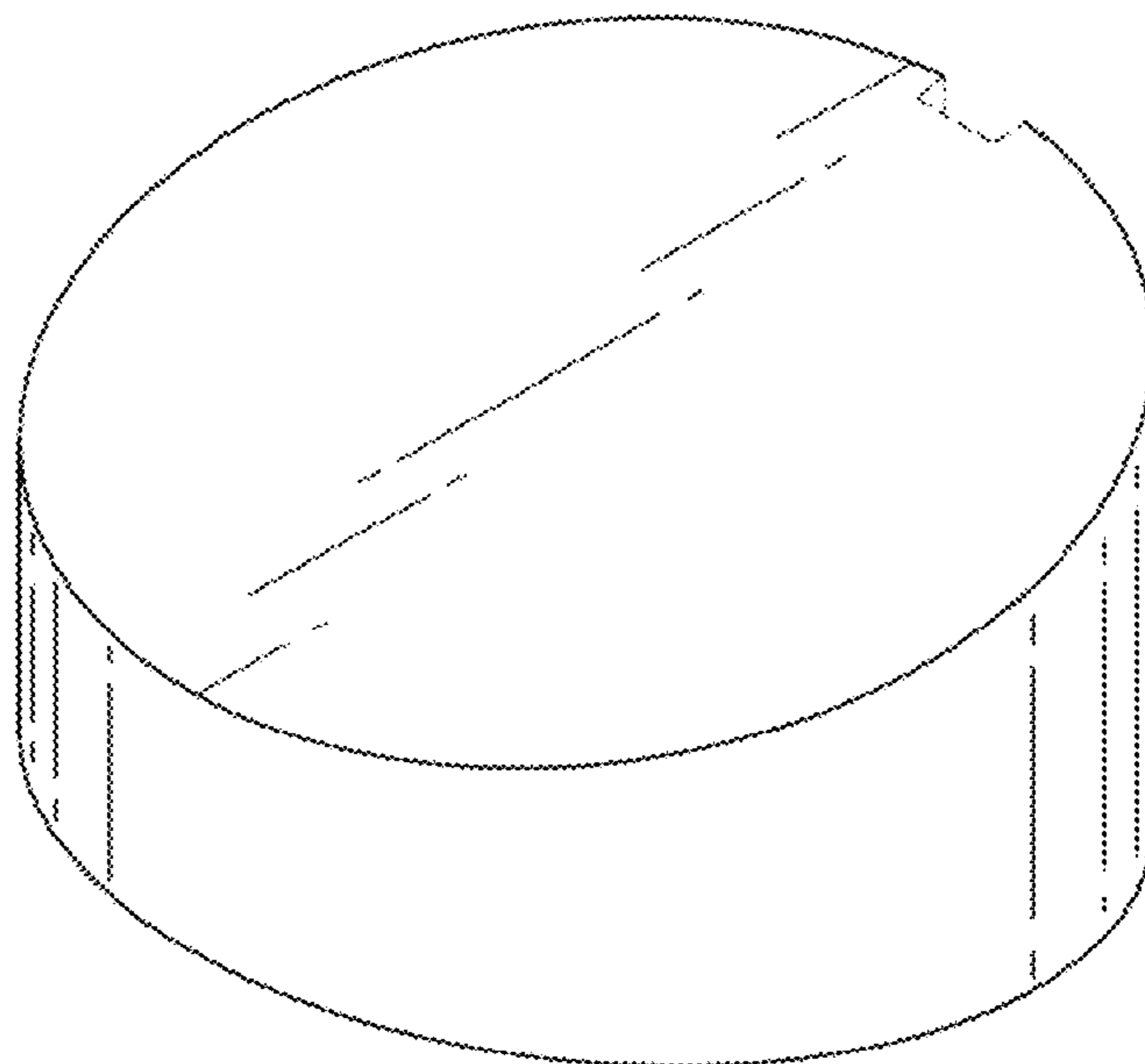
DESCRIPTION

FIG. 1 is a top, front perspective view of a bone wedge implant comprising the new design;
 FIG. 2 is a back, bottom perspective view of the design of FIG. 1;
 FIG. 3 is a front elevational view of the design of FIG. 1;
 FIG. 4 is a back elevational view of the design of FIG. 1;
 FIG. 5 is a right elevational view of the design of FIG. 1;
 FIG. 6 is a left elevational view of the design of FIG. 1; and,
 FIG. 7 is a top view of the design of FIG. 1, where the bottom view is a mirror image thereof.

The broken lines immediately adjacent the shaded areas represent the bounds of the claimed design while all other broken lines are directed to environment and are for illustrative purposes only; the broken lines form no part of the claimed bone wedge implant.

The relatively light intermittently broken surface shading depicts contour.

1 Claim, 3 Drawing Sheets



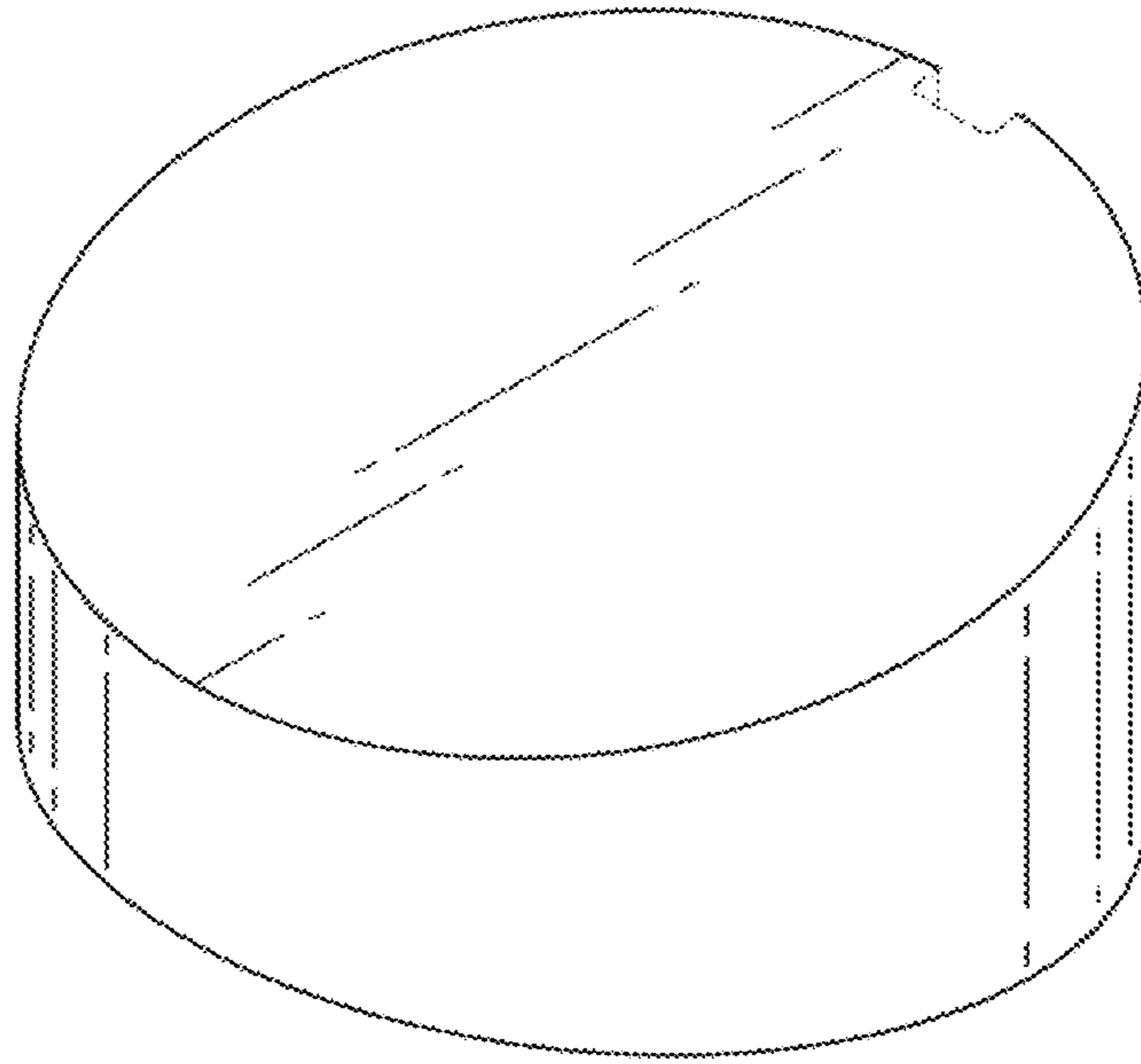


FIG. 1

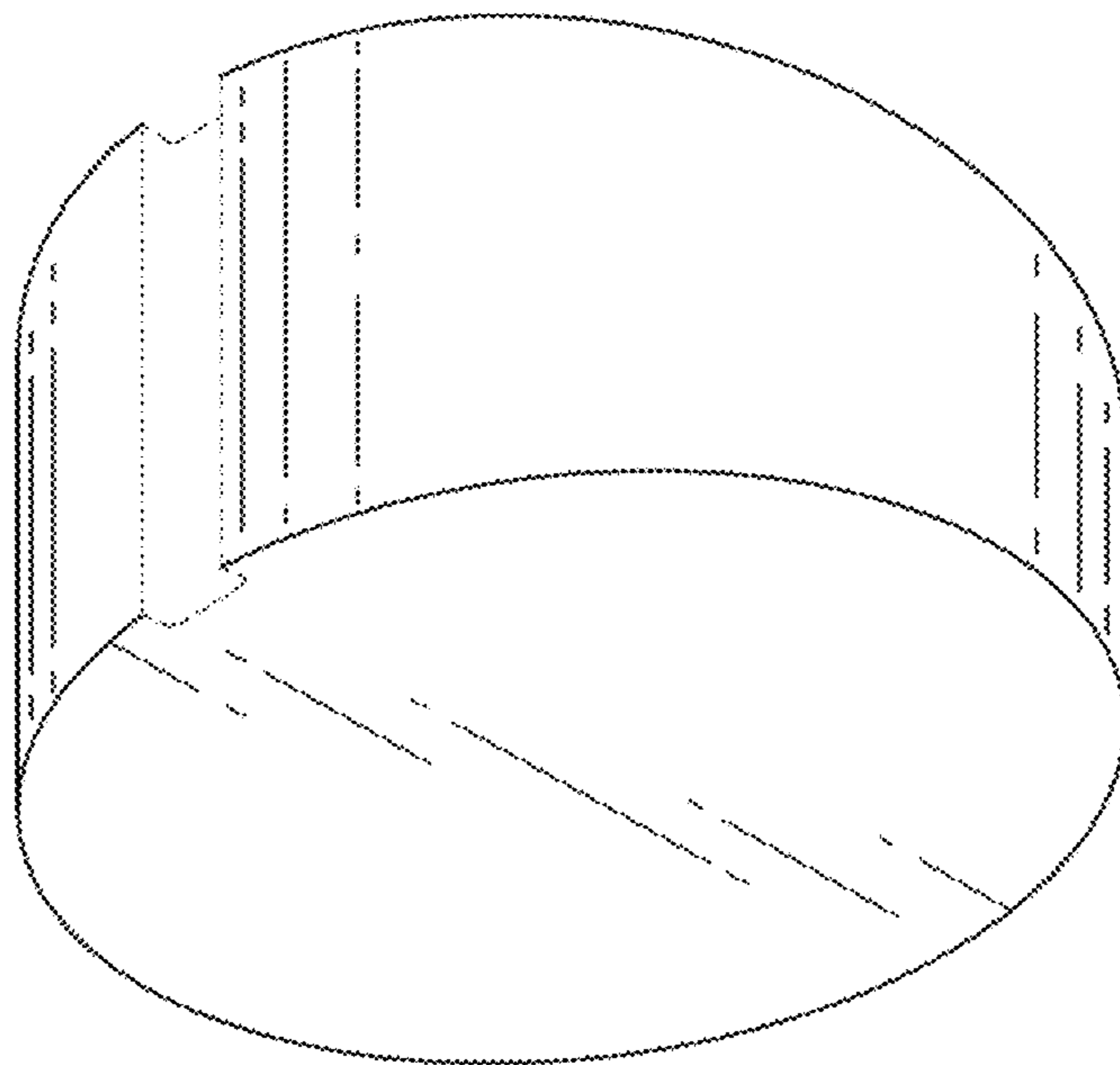


FIG. 2

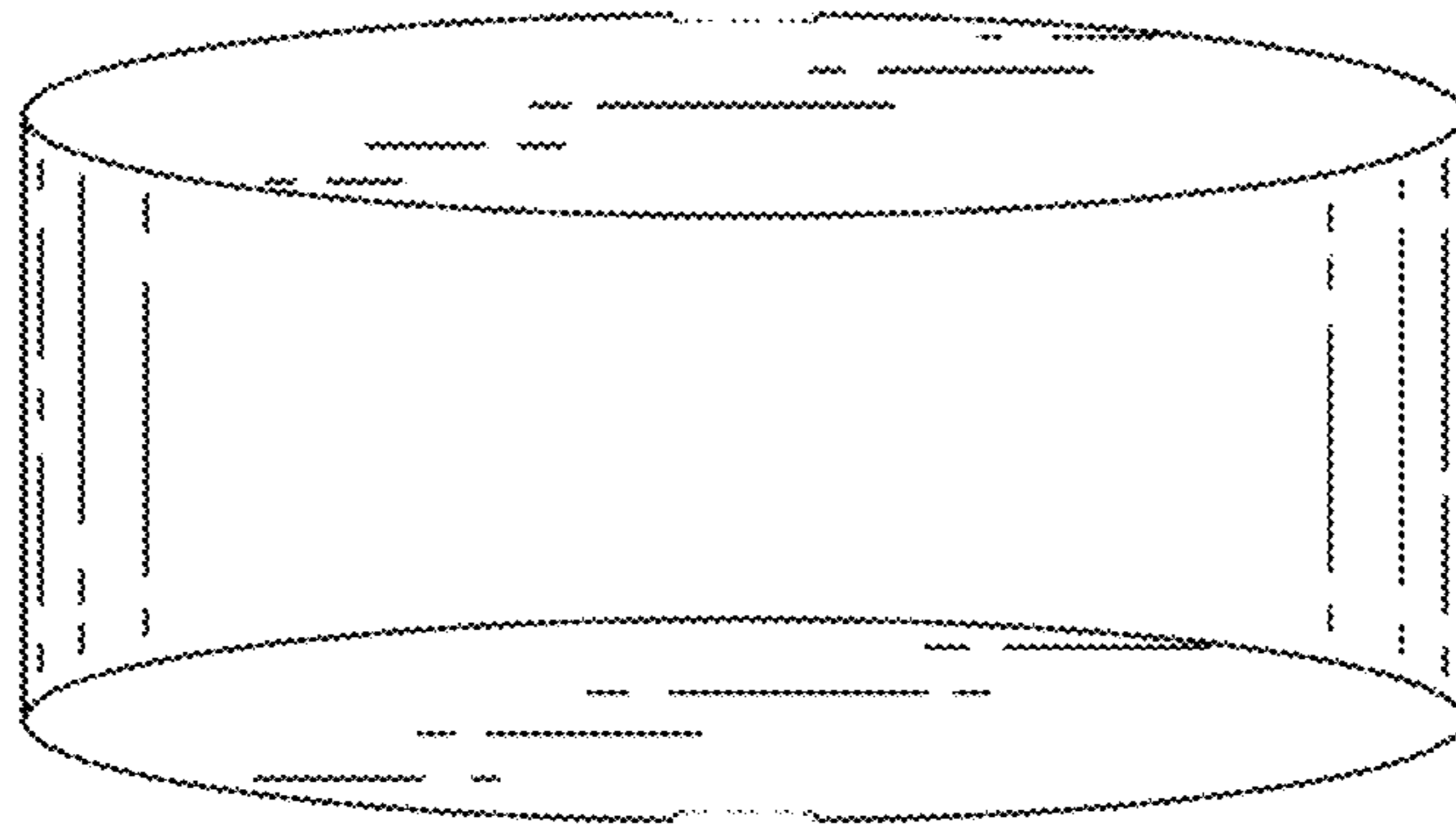


FIG. 3

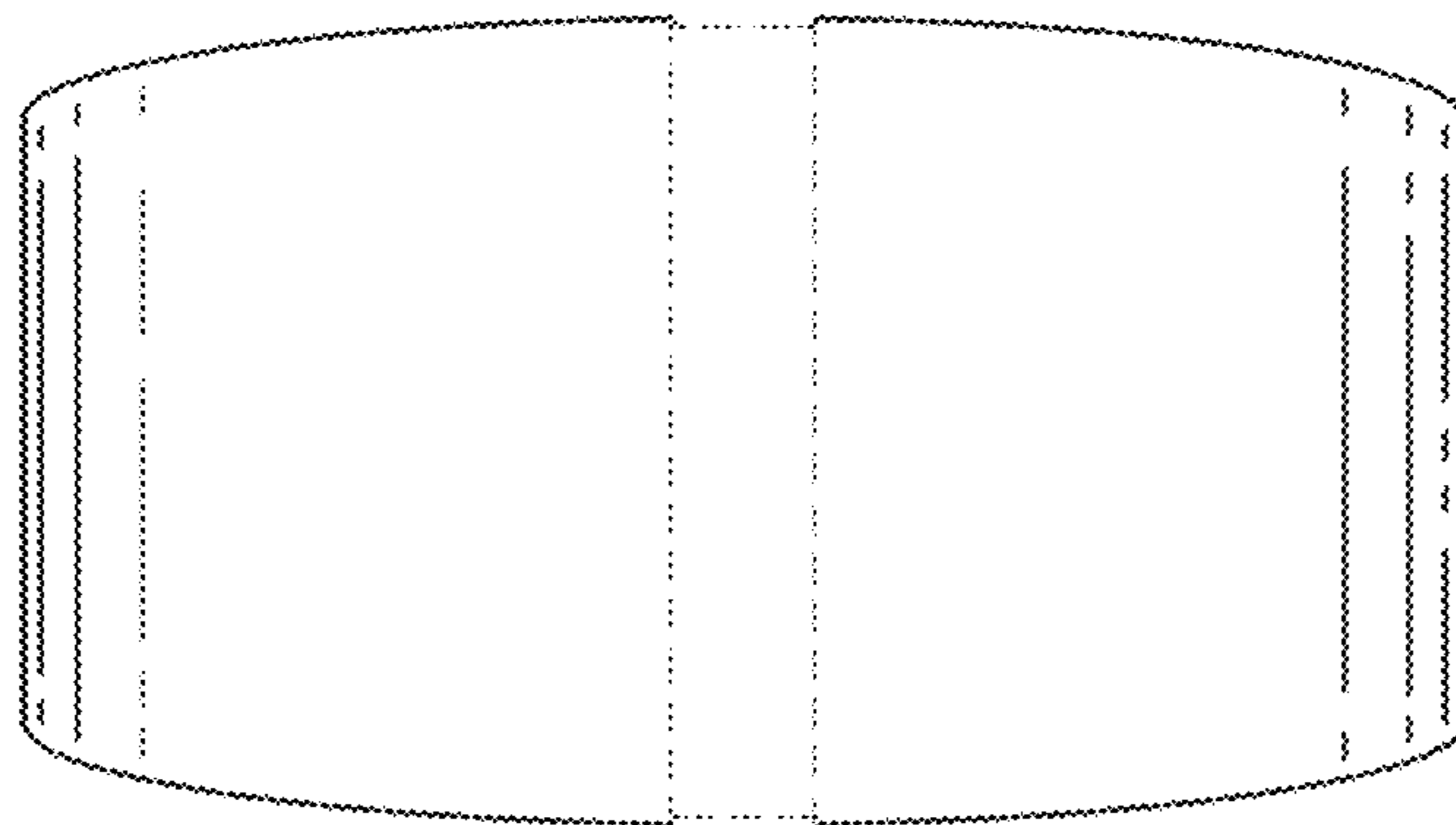


FIG. 4

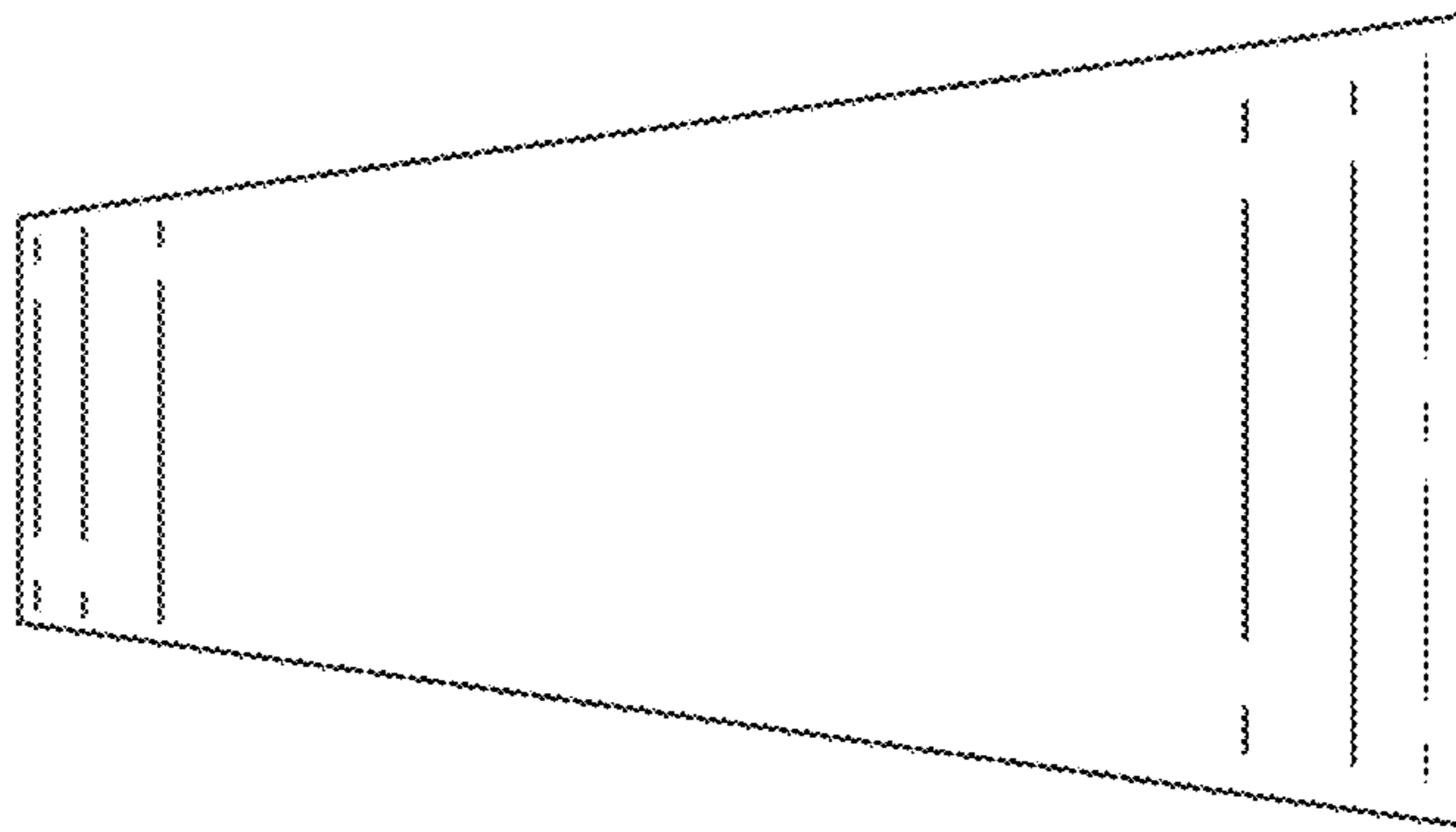


FIG. 5

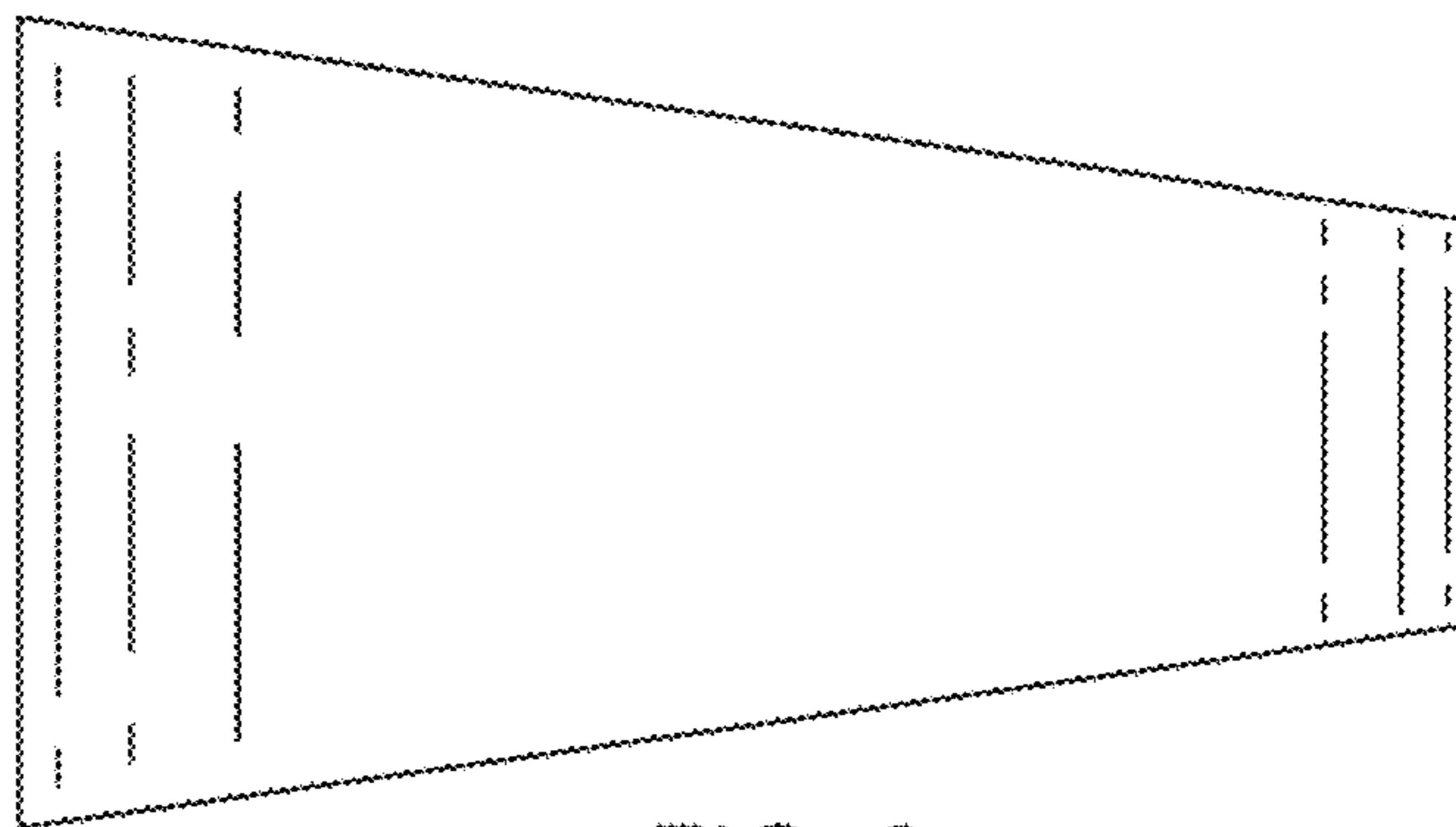


FIG. 6

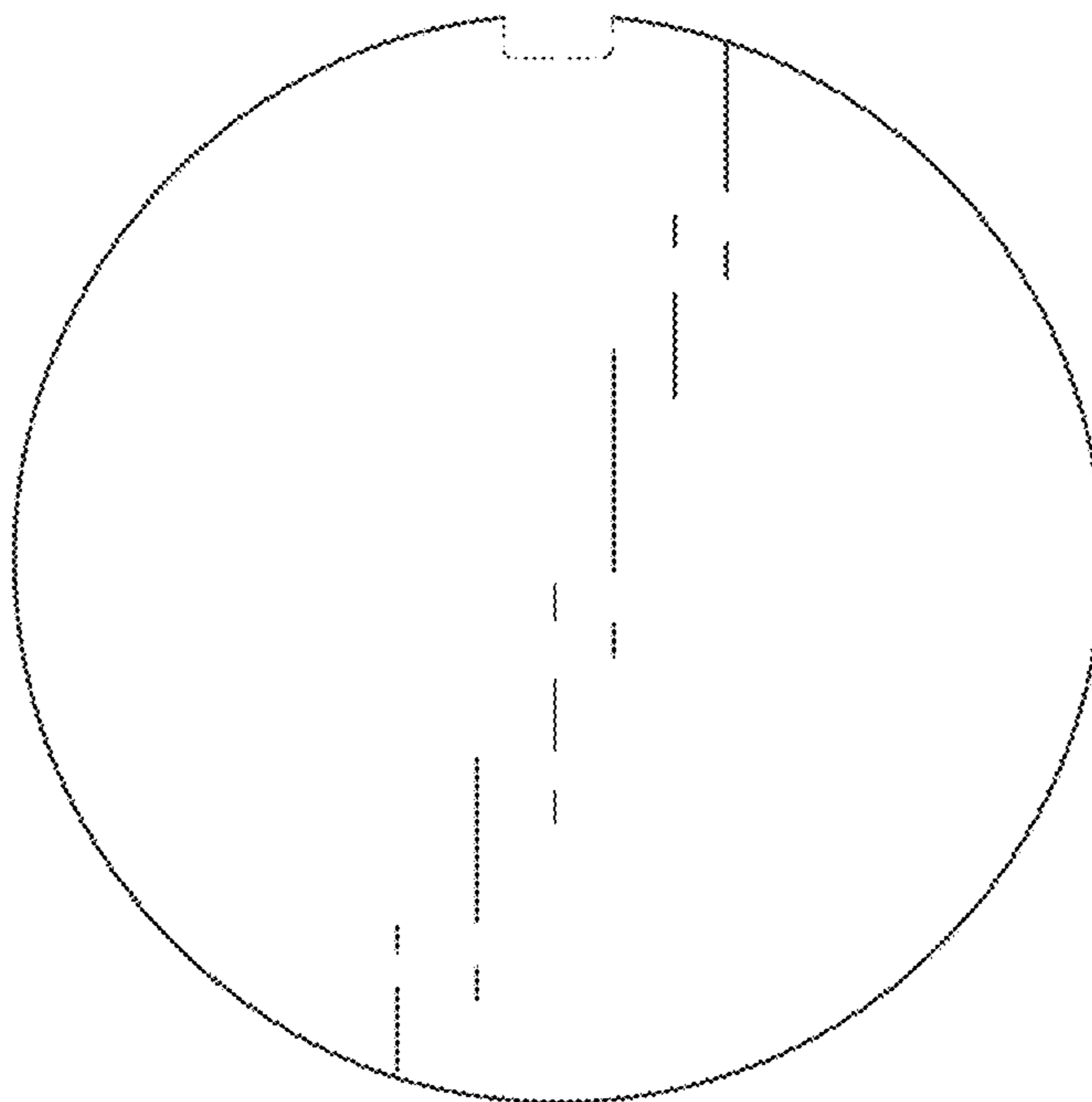


FIG. 7