



US00D884179S

(12) **United States Design Patent** (10) **Patent No.:** **US D884,179 S**  
**Servidio** (45) **Date of Patent:** **\*\* May 12, 2020**

(54) **TIBIAL BASEPLATE WITH FIXATION MEMBERS**

4,822,362 A 4/1989 Walker et al.  
5,037,439 A 8/1991 Albrektsson et al.  
5,137,536 A 8/1992 Koshino  
5,171,283 A 12/1992 Pappas et al.

(71) Applicant: **Howmedica Osteonics Corp.**, Mahwah, NJ (US)

(Continued)

(72) Inventor: **Damon J. Servidio**, Towaco, NJ (US)

**FOREIGN PATENT DOCUMENTS**

(73) Assignee: **Howmedica Osteonics Corp.**, Mahwah, NJ (US)

EP 0306744 A2 3/1989  
EP 1011542 A1 6/2000

(Continued)

(\*\*) Term: **15 Years**

**OTHER PUBLICATIONS**

(21) Appl. No.: **29/683,951**

BioPro, Equalizer Modular Total Knee Replacement, date not known.

(22) Filed: **Mar. 18, 2019**

(Continued)

**Related U.S. Application Data**

(63) Continuation of application No. 15/220,603, filed on Jul. 27, 2016, now Pat. No. 10,231,840.

(51) **LOC (12) Cl.** ..... **24-03**

(52) **U.S. Cl.**  
USPC ..... **D24/155**

(58) **Field of Classification Search**  
USPC ..... D24/155  
CPC ..... A61F 2/4081; A61F 2/40; A61F 2002/30878; A61F 2002/30884; A61F 2002/30881; A61F 2002/30897; A61F 2002/30112

See application file for complete search history.

(56) **References Cited**

**U.S. PATENT DOCUMENTS**

3,798,679 A 3/1974 Ewald  
3,816,855 A 6/1974 Saleh  
3,869,731 A 3/1975 Waugh et al.  
4,207,627 A 6/1980 Cloutier  
4,586,933 A 5/1986 Shoji et al.  
4,634,444 A 1/1987 Noiles  
4,711,639 A 12/1987 Grundei  
4,769,040 A 9/1988 Wevers

*Primary Examiner* — Charles D Hanson

(74) *Attorney, Agent, or Firm* — Lerner, David, Littenberg, Krumholz & Mentlik, LLP

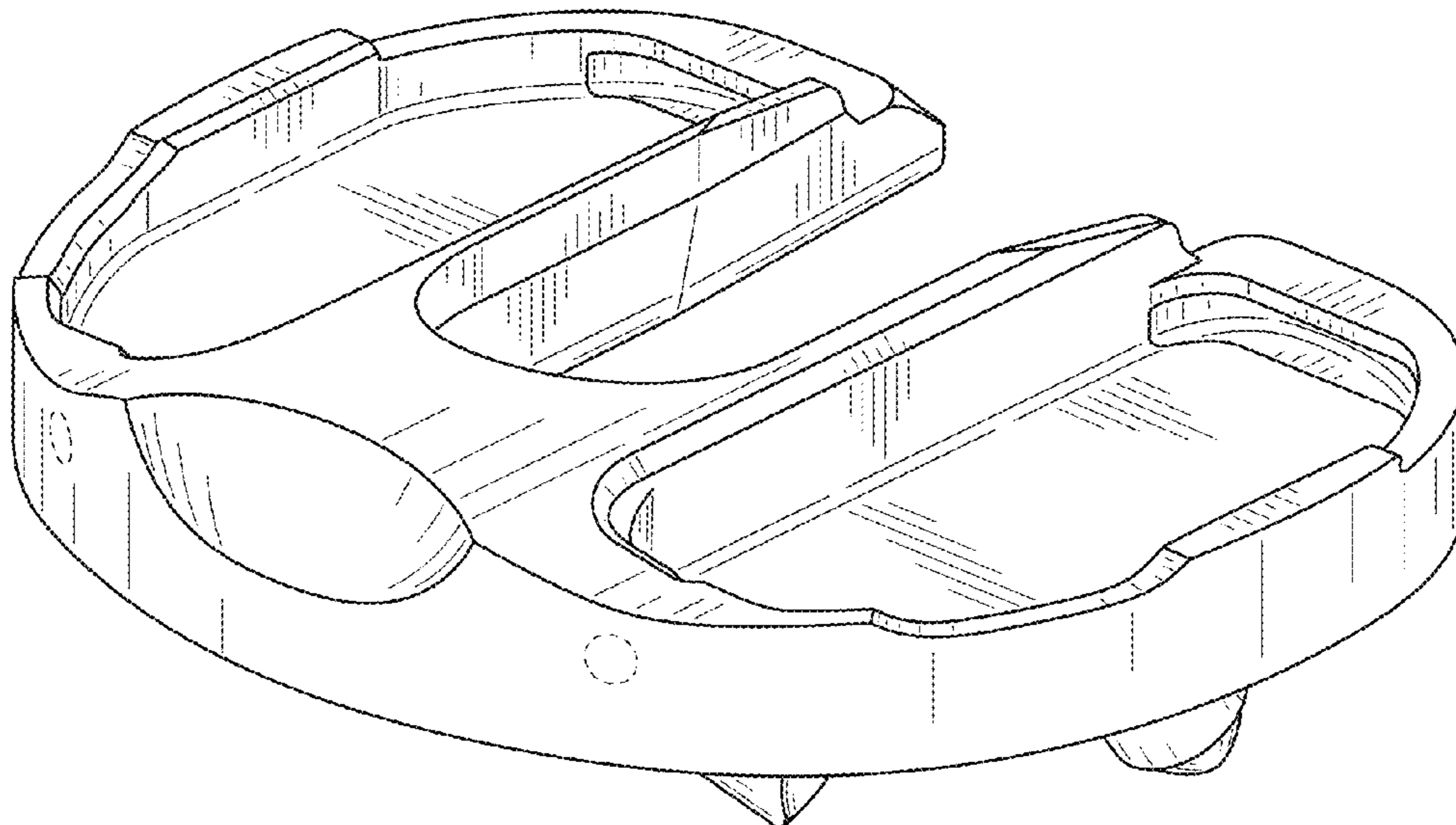
(57) **CLAIM**

The ornamental design for a tibial baseplate with fixation members, as shown and described.

**DESCRIPTION**

FIG. 1 is a front perspective view of a tibial baseplate with fixation members according to my new design; FIG. 2 is a front elevational view thereof; FIG. 3 is a rear elevational view thereof; FIG. 4 is a right side elevational view thereof; FIG. 5 is a left side elevational view thereof; FIG. 6 is top plan view thereof; FIG. 7 is a bottom plan view thereof; FIG. 8 is a rear bottom perspective view thereof; and, FIG. 9 is a right side bottom perspective view thereof. The broken lines illustrate unclaimed environmental structure and form no part of the claimed design.

**1 Claim, 6 Drawing Sheets**





# US D884,179 S

(56)

## References Cited

### U.S. PATENT DOCUMENTS

5,207,711 A	5/1993	Caspari et al.	D745,158 S *	12/2015	Irwin ..... D24/155
5,282,868 A	2/1994	Bahler	9,271,840 B2	3/2016	Keggi et al.
5,509,934 A	4/1996	Cohen	9,345,578 B2	5/2016	Collazo et al.
5,593,448 A	1/1997	Dong	D781,422 S *	3/2017	Hahn ..... D24/155
5,609,641 A	3/1997	Johnson et al.	D841,810 S *	2/2019	Irwin ..... D24/155
5,658,341 A	8/1997	Delfosse	D854,157 S *	7/2019	Irwin ..... D24/155
5,702,464 A	12/1997	Lackey et al.	D856,518 S *	8/2019	Dacus ..... D24/155
5,702,467 A	12/1997	Gabriel et al.	2004/0025926 A1	2/2004	Gin et al.
5,755,801 A	5/1998	Walker et al.	2004/0030397 A1	2/2004	Collazo
5,824,103 A	10/1998	Williams	2004/0138755 A1	7/2004	O'Connor et al.
5,879,394 A	3/1999	Ashby et al.	2004/0193280 A1*	9/2004	Webster ..... A61F 2/3868 623/20.33
5,951,603 A	9/1999	O'Neil et al.	2005/0125068 A1	6/2005	Hozack et al.
6,010,534 A	1/2000	O'Neil et al.	2005/0154472 A1	7/2005	Afriat
6,258,127 B1	7/2001	Schmotzer	2005/0283251 A1	12/2005	Coon et al.
6,387,131 B1	5/2002	Miehlke et al.	2006/0004460 A1	1/2006	Engh et al.
6,436,145 B1	8/2002	Miller	2006/0184176 A1*	8/2006	Straszheim-Morley ..... A61B 17/1764 606/88
6,482,209 B1	11/2002	Engh et al.	2006/0195196 A1	8/2006	Pendleton et al.
6,558,421 B1	5/2003	Fell et al.	2006/0212124 A1	9/2006	Siebel
6,625,526 B2	9/2003	Gras	2006/0265079 A1	11/2006	D'Alessio
6,652,588 B2	11/2003	Hayes, Jr. et al.	2007/0010890 A1	1/2007	Collazo
6,679,914 B1	1/2004	Gabbay	2007/0173858 A1	7/2007	Engh et al.
6,699,291 B1	3/2004	Augoyard et al.	2007/0203582 A1	8/2007	Campbell
6,896,702 B2	5/2005	Collazo	2008/0119941 A1	5/2008	Seo et al.
6,969,393 B2	11/2005	Pinczewski et al.	2008/0183177 A1	7/2008	Fox et al.
7,060,101 B2	6/2006	O'Connor et al.	2008/0200957 A1	8/2008	Marcacci et al.
7,066,963 B2	6/2006	Naegerl	2009/0187251 A1	7/2009	Justin et al.
7,115,131 B2	10/2006	Engh et al.	2009/0270995 A1	10/2009	Rhodes et al.
7,189,262 B2	3/2007	Hayes, Jr. et al.	2009/0319048 A1	12/2009	Shah et al.
7,261,740 B2	8/2007	Tuttle et al.	2009/0326663 A1	12/2009	Dun
7,294,149 B2	11/2007	Hozack et al.	2010/0016980 A1	1/2010	Donno et al.
7,458,933 B2	12/2008	LeVahn et al.	2010/0131071 A1	5/2010	O'Connor et al.
7,462,199 B2	12/2008	Justin et al.	2010/0280624 A1	11/2010	Engh et al.
7,578,850 B2	8/2009	Kuczynski et al.	2010/0305575 A1	12/2010	Wilkinson et al.
7,625,407 B2	12/2009	Akizuki et al.	2010/0305710 A1*	12/2010	Metzger ..... A61F 2/3836 623/20.31
7,635,390 B1	12/2009	Bonutti	2010/0305711 A1	12/2010	McKinnon et al.
7,695,519 B2	4/2010	Collazo	2010/0331847 A1	12/2010	Wilkinson et al.
7,708,782 B2	5/2010	Burstein et al.	2010/0331848 A1	12/2010	Smith et al.
7,758,652 B2	7/2010	Engh et al.	2010/0331991 A1	12/2010	Wilkinson et al.
7,766,969 B2	8/2010	Justin et al.	2011/0015749 A1	1/2011	Engh et al.
7,771,483 B2	8/2010	Justin et al.	2011/0066248 A1	3/2011	Ries et al.
7,771,484 B2	8/2010	Campbell	2011/0066249 A1	3/2011	Justin et al.
7,799,086 B2	9/2010	Justin et al.	2011/0082559 A1	4/2011	Hartdegen et al.
7,828,852 B2	11/2010	Bonutti	2011/0098824 A1	4/2011	Jukes et al.
7,828,853 B2	11/2010	Ek et al.	2011/0106268 A1*	5/2011	Deffenbaugh ..... A61F 2/389 623/20.32
7,947,082 B2	5/2011	Guidera et al.	2011/0190898 A1*	8/2011	Lenz ..... A61F 2/38 623/20.32
7,988,736 B2	8/2011	May et al.	2011/0264097 A1	10/2011	Hodorek et al.
8,002,777 B2	8/2011	Fox et al.	2012/0035736 A1	2/2012	O'Connor et al.
8,066,776 B2	11/2011	O'Connor et al.	2012/0078262 A1	3/2012	Pinczewski et al.
8,092,546 B2	1/2012	Coon et al.	2012/0179266 A1	7/2012	Collazo
8,105,387 B2	1/2012	Barnett et al.	2012/0209394 A1	8/2012	Bojarski et al.
8,114,165 B2	2/2012	Rhodes et al.	2012/0316563 A1	12/2012	Metzger et al.
8,128,703 B2	3/2012	Hazebrouck et al.	2012/0330429 A1	12/2012	Axelson, Jr. et al.
8,137,407 B2	3/2012	Todd et al.	2013/0006375 A1	1/2013	Metzger et al.
8,157,869 B2	4/2012	Metzger et al.	2013/0024001 A1	1/2013	Wentorf et al.
8,211,181 B2	7/2012	Walker	2013/0046385 A1	2/2013	Hartdegen et al.
8,292,964 B2	10/2012	Walker	2013/0131817 A1	5/2013	Parisi et al.
8,292,965 B2	10/2012	Walker	2013/0131819 A1	5/2013	Parisi et al.
8,343,227 B2	1/2013	Metzger et al.	2013/0173010 A1	7/2013	Irwin et al.
8,403,994 B2	3/2013	Maloney et al.	2013/0204383 A1	8/2013	Wentorf
8,480,752 B2	7/2013	Dun	2013/0218284 A1	8/2013	Eickmann et al.
8,500,818 B2	8/2013	Metzger et al.	2013/0245777 A1	9/2013	Jerry
8,529,631 B2*	9/2013	Donno ..... A61F 2/389 623/20.14	2013/0289731 A1	10/2013	Katerberg et al.
8,568,486 B2	10/2013	Wentorf et al.	2013/0345820 A1	12/2013	Maloney et al.
8,574,304 B2	11/2013	Wentorf et al.	2014/0025175 A1	1/2014	Wentorf et al.
8,603,101 B2	12/2013	Claypool et al.	2014/0025176 A1	1/2014	Wentorf et al.
8,613,775 B2	12/2013	Wentorf et al.	2014/0025177 A1	1/2014	Wentorf et al.
8,682,052 B2	3/2014	Fitz et al.	2014/0067076 A1	3/2014	Collazo
8,690,955 B2	4/2014	Rolston			
8,728,167 B2	5/2014	Collazo			
8,771,365 B2	7/2014	Bojarski et al.			
8,894,715 B2	11/2014	Metzger et al.			
8,906,107 B2	12/2014	Bojarski et al.			
8,911,501 B2	12/2014	Irwin et al.			
D744,103 S *	11/2015	Irwin ..... D24/155			

### FOREIGN PATENT DOCUMENTS

FR		2676916 A1	12/1992	
JP		S6411541 A	1/1989	

(56)

**References Cited**

FOREIGN PATENT DOCUMENTS

JP	201012262	A	1/2010
WO	9858603	A1	12/1998
WO	0076428	A1	12/2000
WO	2006012370	A2	2/2006
WO	2009158318	A1	12/2009
WO	2010006677	A1	1/2010
WO	2010138836	A2	12/2010
WO	2010138841	A2	12/2010
WO	2010138850	A2	12/2010
WO	2010138854	A2	12/2010
WO	2010138857	A2	12/2010
WO	2011094540	A2	8/2011
WO	2012178031		12/2012
WO	2013101582		7/2013
WO	2013148954		10/2013

OTHER PUBLICATIONS

Freeman-Swanson Total Knee Prosthesis, Vitallium Alloy Femoral Component, 1978.

Howmedica, Inc. Cruciate-Condylar Total Knee Surgical Technique, 1979.

Howmedica, Inc. The Howmedica Kinematic Knee System, 1980. International Search Report and Written Opinion for Application No. PCT/US2014/017664 dated Jun. 6, 2014.

International Search Report and Written Opinion for International Application No. PCT/US2012/070531, dated May 27, 2013, 17 pages.

International Search Report and Written Opinion, PCT/US2012/0020719, dated Mar. 19, 2012.

Invitation to Pay Additional Fees and Communication Relating to the Results of the Partial International Search for International Application No. PCT/US2012/070531, dated Mar. 6, 2013, 7 pages.

Partial International Search Report for Application No. PCT/US2014/017664 dated Apr. 16, 2014.

Pritchett, James W., BioPro: Equalizer Modular Total Knee Replacement, available at least as early as 1999, 19 pages.

Townley Total Knee Prosthesis, Vitallium Alloy Femoral Component, 1978.

Townley, Charles O., Total Knee Arthroplasty: A Personal Retrospective and Prospective Review, Clinical Orthopaedics and Related Research, No. 236, 1988, 15 pages.

Townley, Charles O., Total Knee Arthroplasty: A Personal Retrospective and Prospective Review, Clinical Orthopaedics and Related Research, No. 236, 1988, 15 pages.

\* cited by examiner

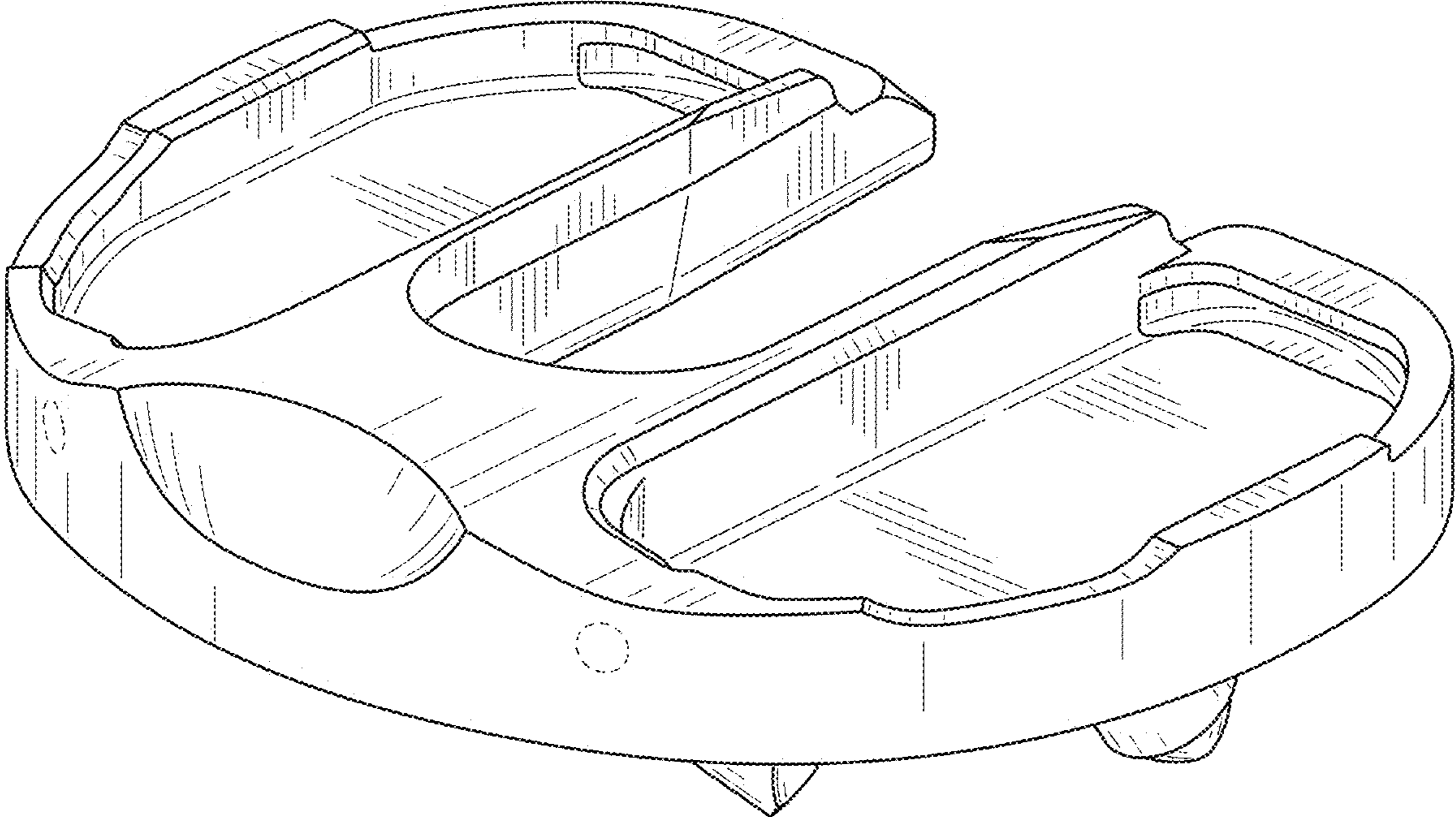


FIG. 1



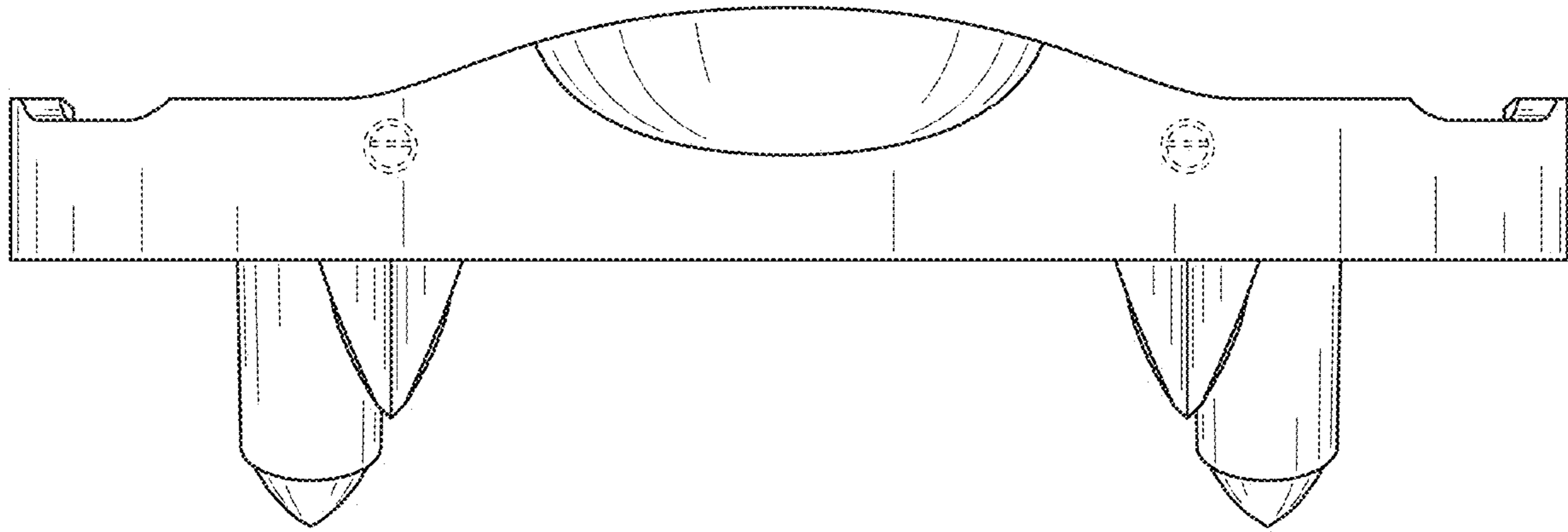


FIG. 2

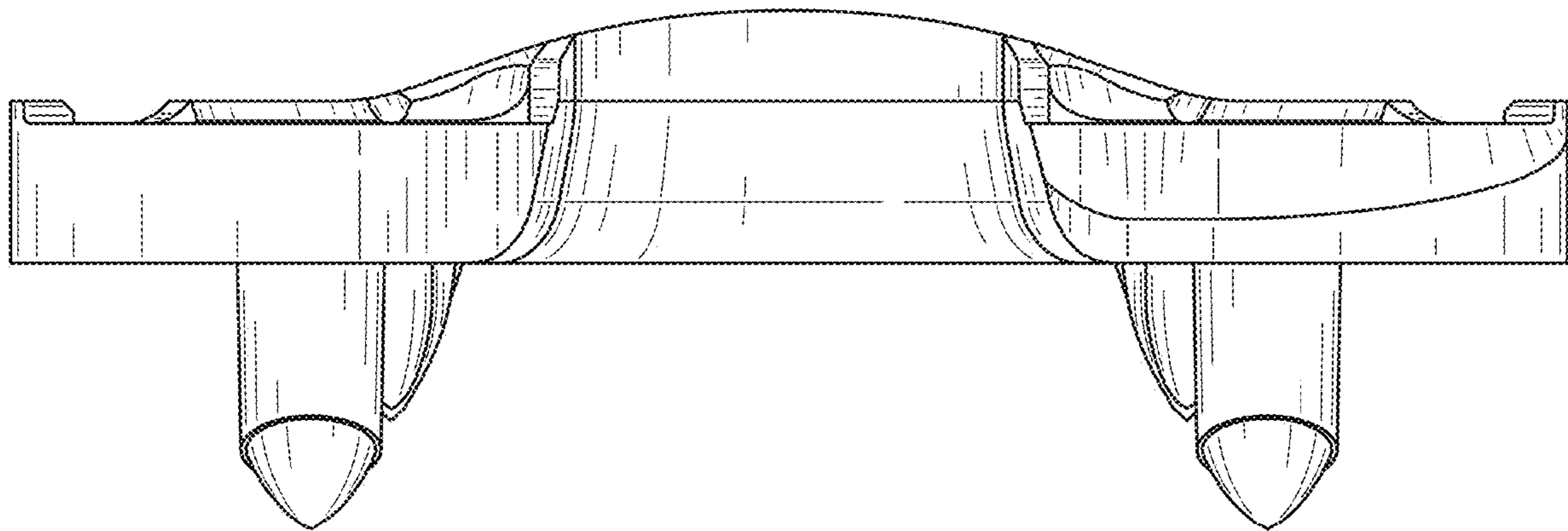


FIG. 3

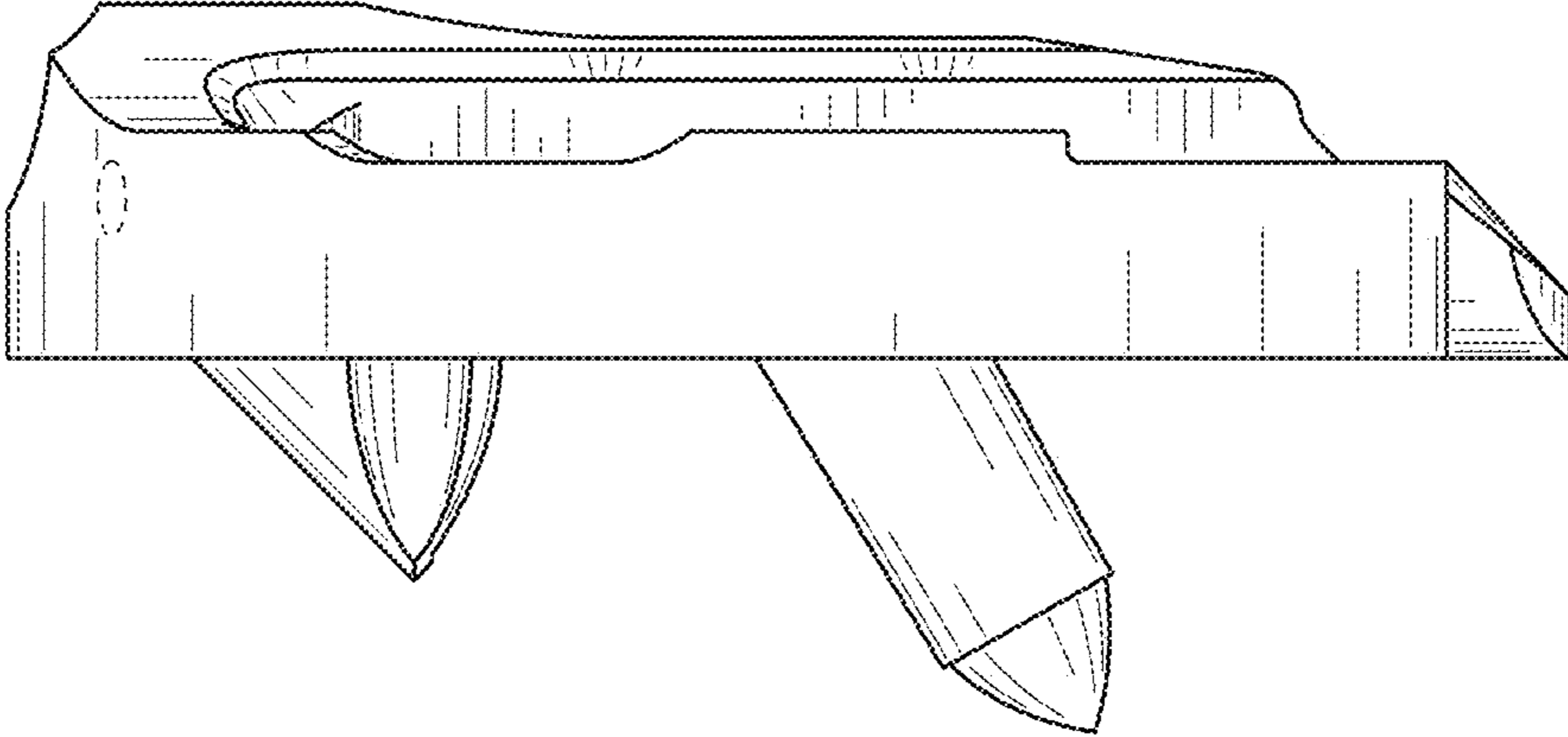


FIG. 4

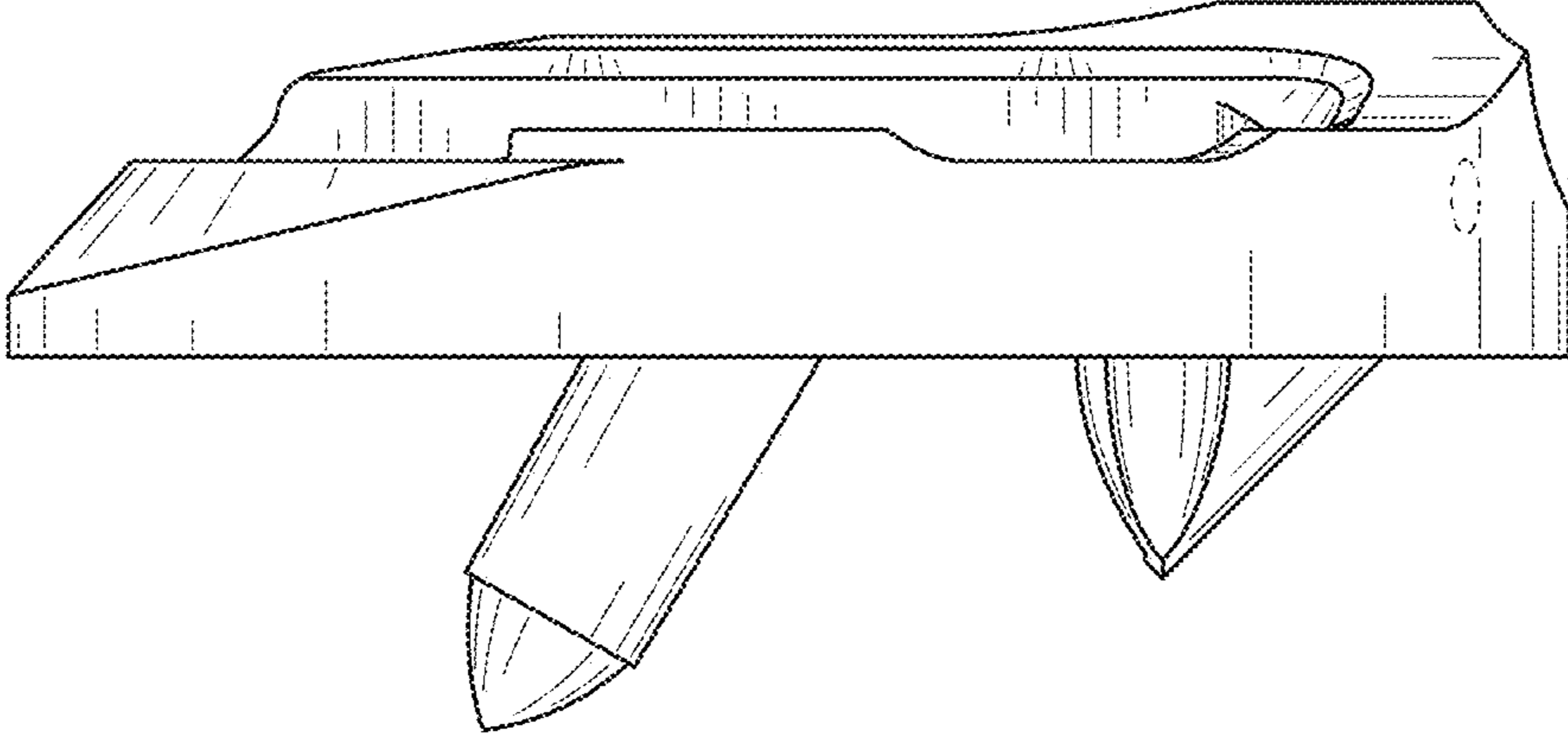


FIG. 5

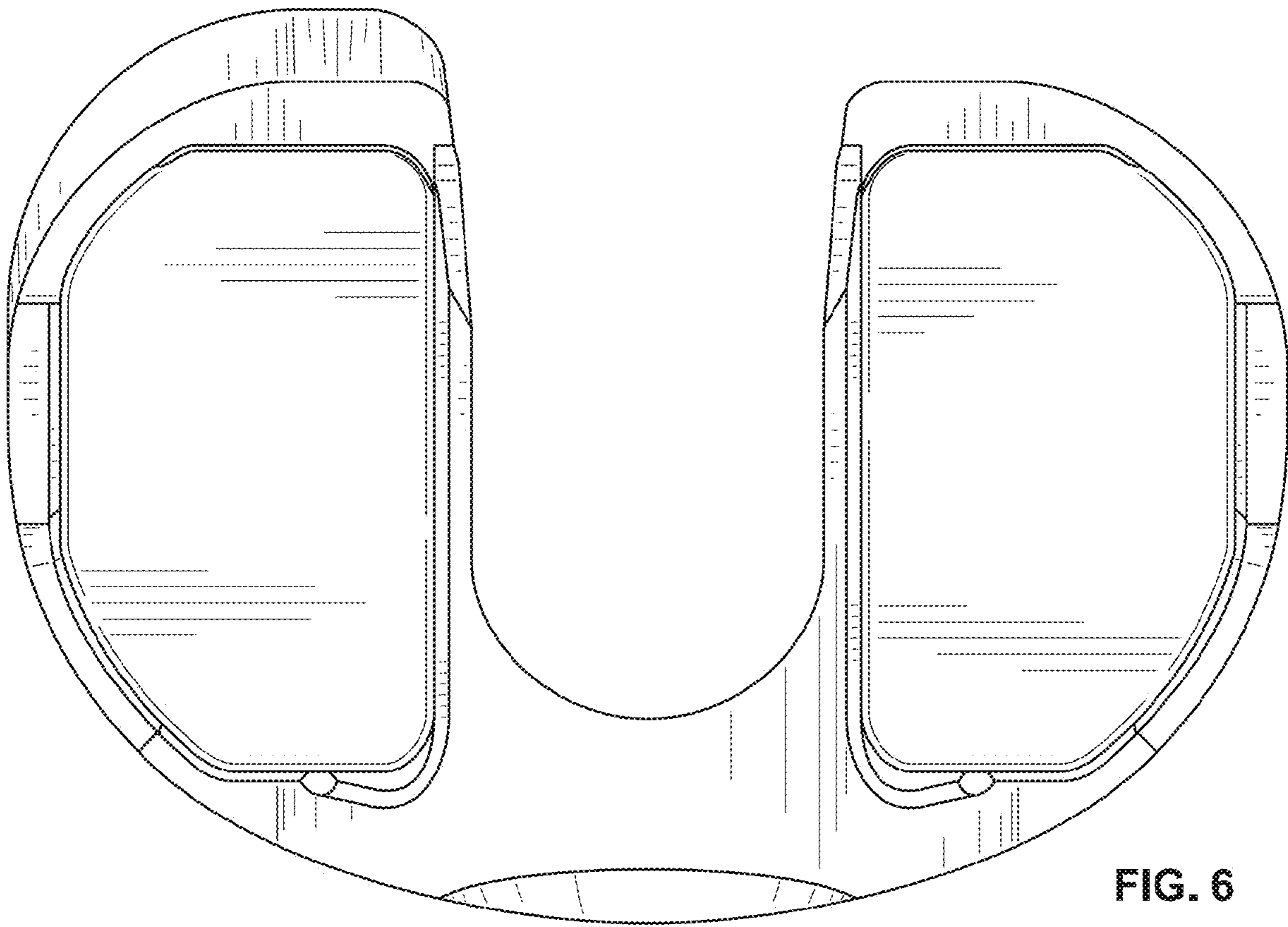


FIG. 6

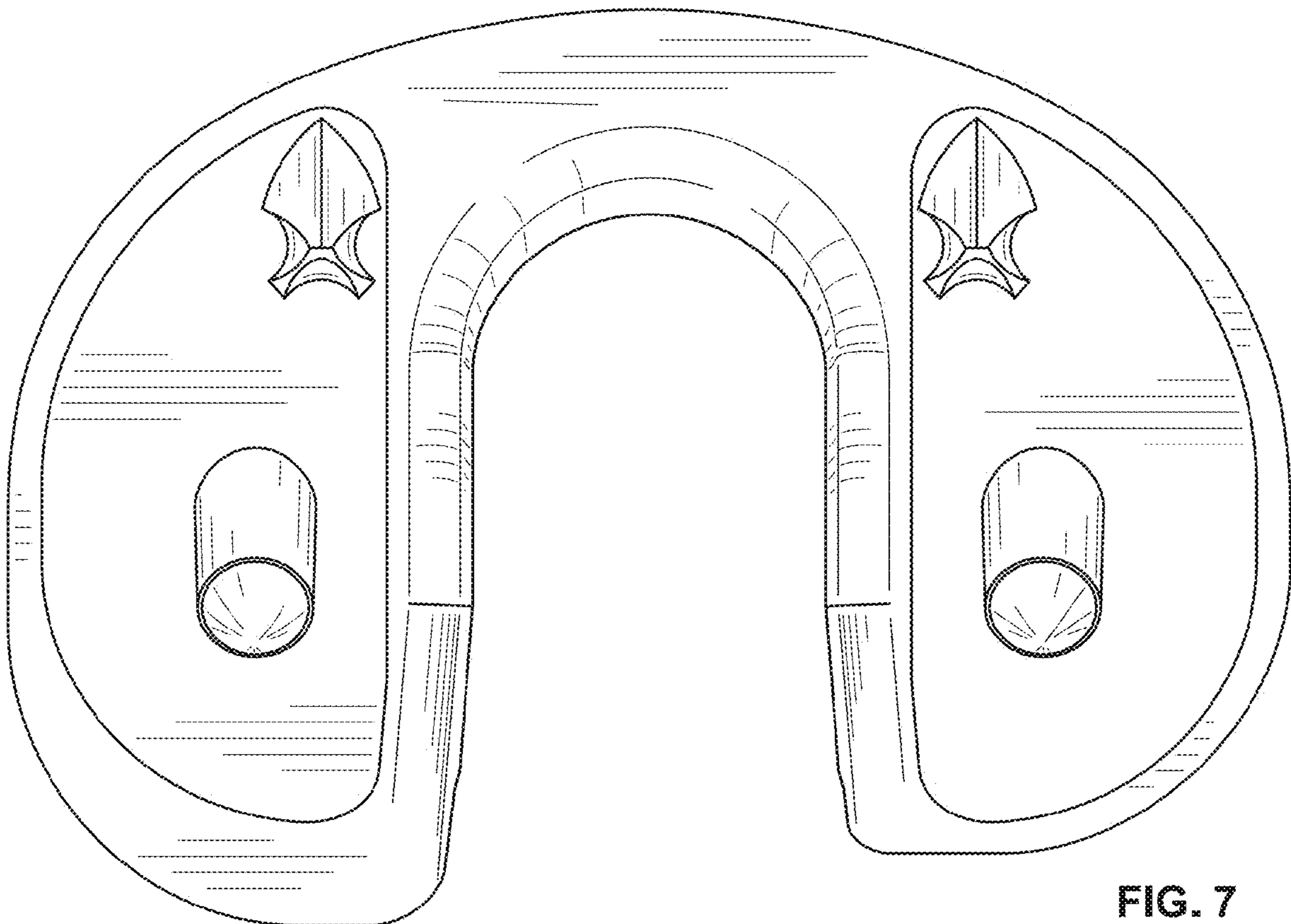


FIG. 7

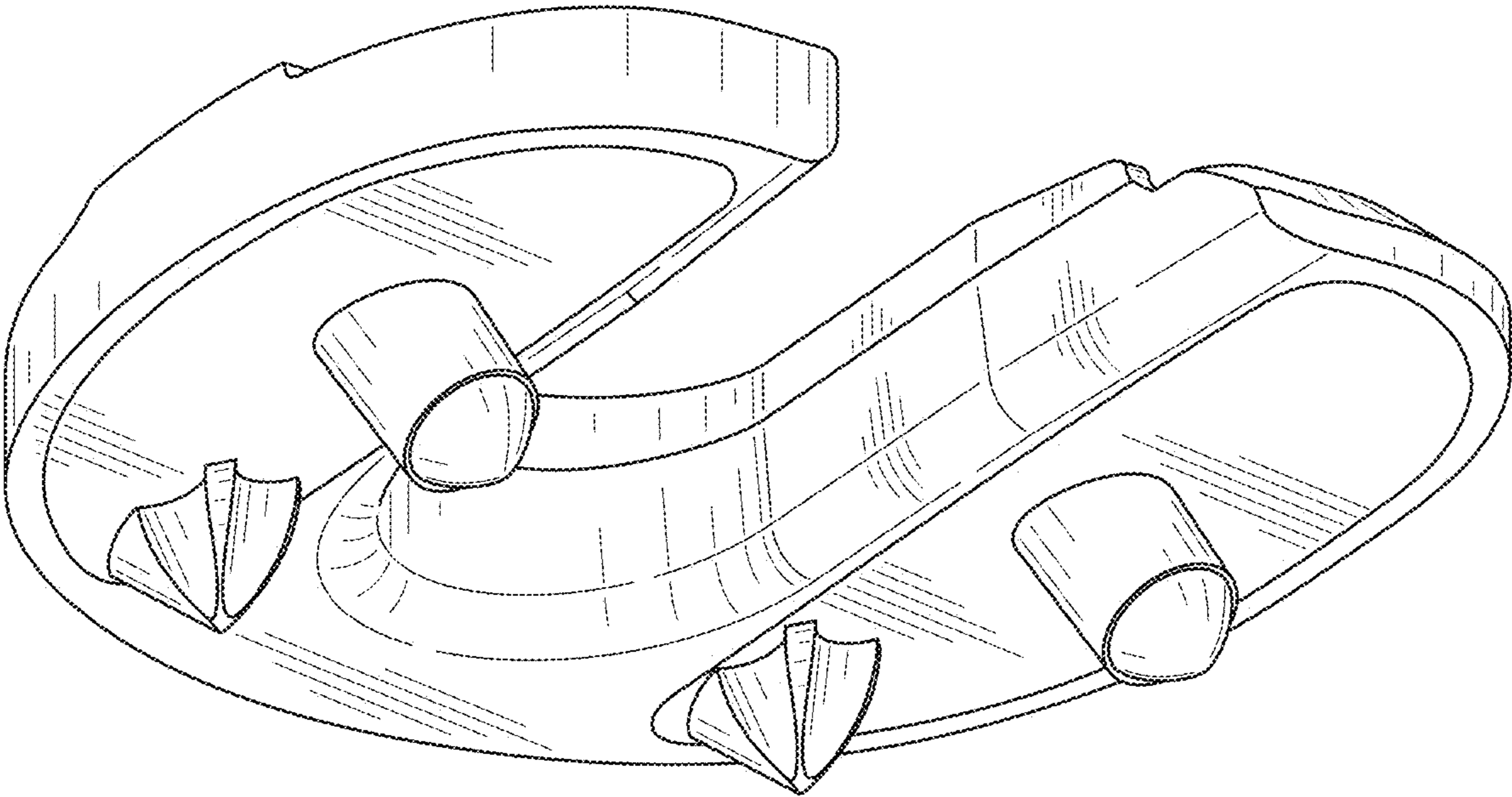


FIG. 8



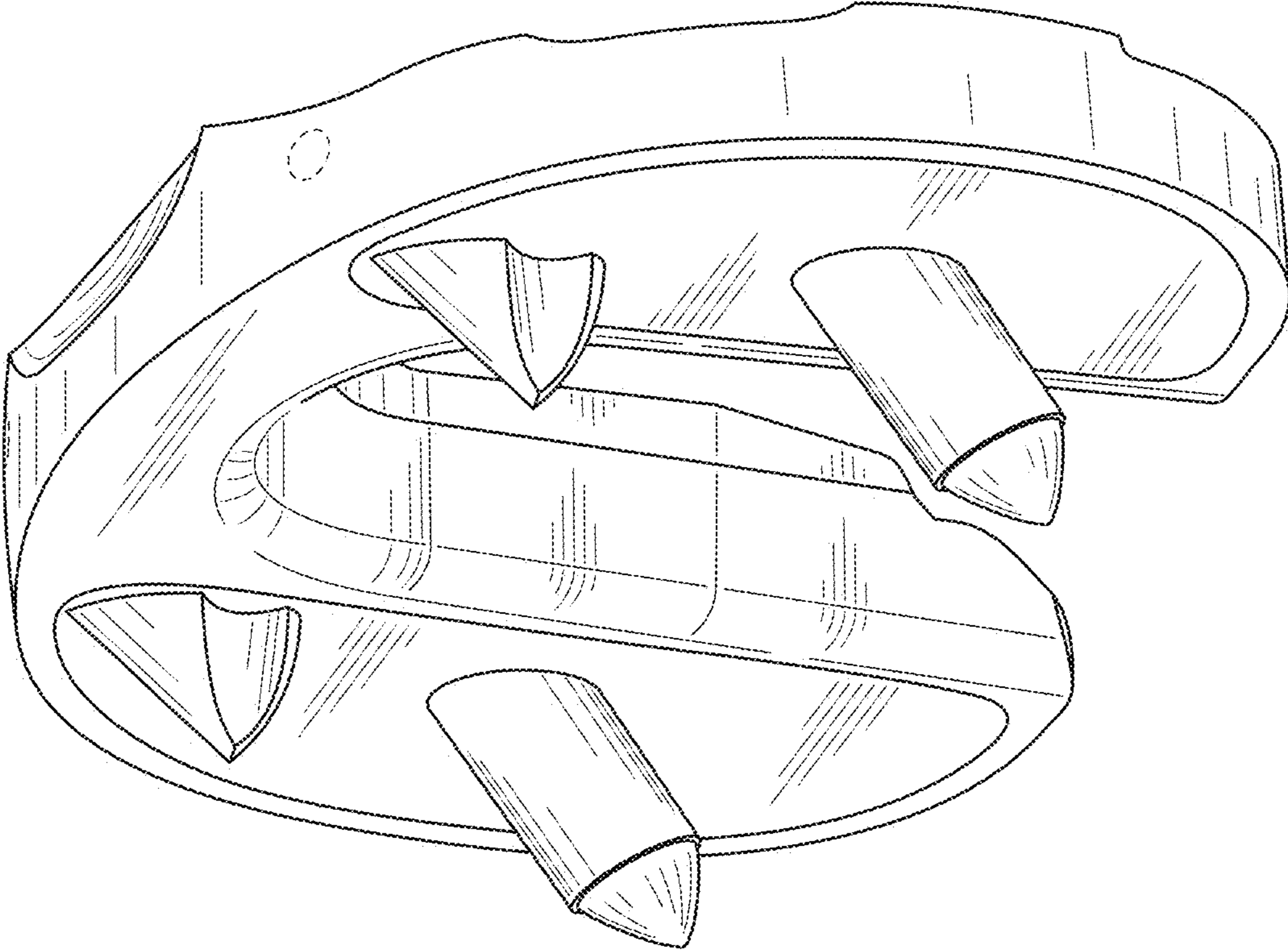


FIG. 9