



US00D884178S

(12) **United States Design Patent** (10) **Patent No.:** **US D884,178 S**  
**Lauf et al.** (45) **Date of Patent:** **\*\* May 12, 2020**

(54) **ORTHOPEDIC IMPLANT**  
(71) Applicant: **LIFE SPINE, INC.**, Huntley, IL (US)  
(72) Inventors: **Garrett D. Lauf**, Elgin, IL (US);  
**Michael S. Butler**, St. Charles, IL (US); **Richard M. Mueller**, St. Charles, IL (US); **Matthew S. Coyne**, Naperville (IL)

8,529,611 B2 9/2013 Champagne et al.  
8,551,137 B2 10/2013 Cohen et al.  
8,784,498 B2 7/2014 Scheland  
9,072,562 B2 7/2015 Weiner et al.  
2003/0105526 A1 6/2003 Bryant et al.  
2011/0060373 A1\* 3/2011 Russell ..... A61B 17/0401  
606/304

(Continued)

**FOREIGN PATENT DOCUMENTS**

(73) Assignee: **LIFE SPINE, INC.**, Huntley, IL (US)  
(\*\*) Term: **15 Years**

FR 2808182 A1 11/2001  
WO WO-2017/041065 A1 3/2017

**OTHER PUBLICATIONS**

(21) Appl. No.: **29/677,371**  
(22) Filed: **Jan. 18, 2019**

Final Office Action on U.S. Appl. No. 15/256,530 dated Oct. 19, 2018, 13 pages.

(Continued)

**Related U.S. Application Data**

(63) Continuation of application No. 15/256,530, filed on Sep. 3, 2016, now abandoned.

*Primary Examiner* — Charles D Hanson  
(74) *Attorney, Agent, or Firm* — Foley & Lardner LLP

(51) **LOC (12) Cl.** ..... **24-03**  
(52) **U.S. Cl.**  
USPC ..... **D24/155**

(57) **CLAIM**

We claim the ornamental design for an orthopedic implant, as shown and described.

(58) **Field of Classification Search**  
USPC ..... D24/155-157  
CPC ..... A61B 17/7037; A61B 17/7032; A61B 17/7291; A61B 17/8605; A61B 17/864; A61B 17/8685; A61B 17/70; A61B 17/7011; A61B 17/7035; A61B 17/7082  
See application file for complete search history.

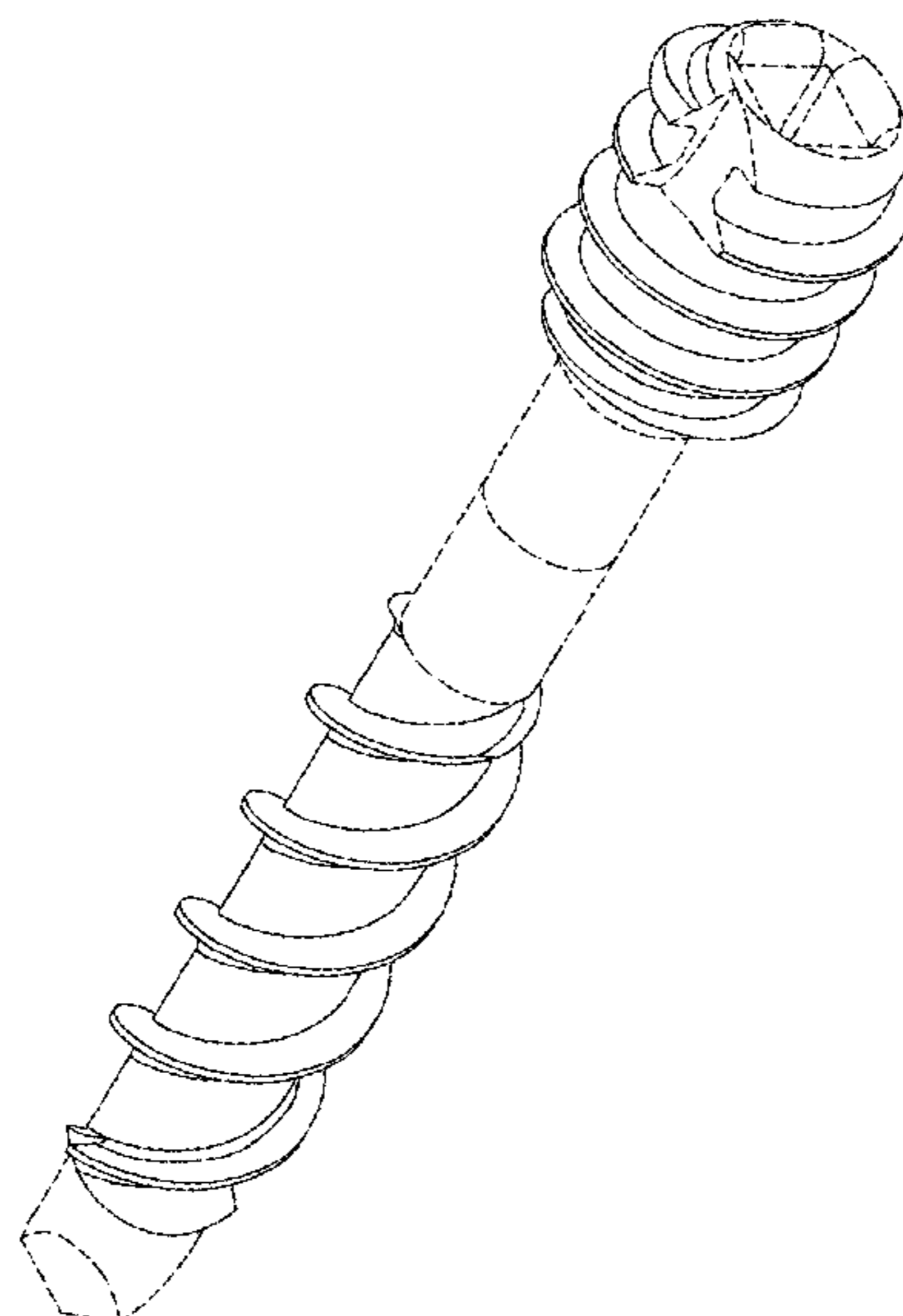
**DESCRIPTION**

FIG. 1 is a perspective view of an embodiment of the claimed design;  
FIG. 2 is another perspective view thereof;  
FIG. 3 is a first side view thereof; and,  
FIG. 4 is a second side view thereof.  
The ornamental design which is claimed is shown in solid lines in the drawings. The broken lines in the drawings are for illustrative purposes only and form no part of the claimed design. Broken lines formed by equal length dashes show unclaimed subject matter. Broken lines formed by unequal length dashes (i.e., dash-dot) define bounds of the claimed design.

(56) **References Cited**  
**U.S. PATENT DOCUMENTS**

4,175,555 A 11/1979 Herbert  
4,298,993 A 11/1981 Kovaleva et al.  
4,904,261 A 2/1990 Dove et al.  
5,417,692 A 5/1995 Goble et al.  
5,514,180 A 5/1996 Heggeness et al.  
6,099,531 A 8/2000 Bonutti  
6,458,134 B1 10/2002 Songer et al.

**1 Claim, 4 Drawing Sheets**



(56)

**References Cited**

U.S. PATENT DOCUMENTS

2011/0190830 A1\* 8/2011 Biedermann ..... A61B 17/8685  
606/305  
2012/0265301 A1 10/2012 Demers et al.  
2014/0107714 A1 4/2014 Pech  
2014/0188239 A1 7/2014 Cummings  
2014/0236245 A1\* 8/2014 Hainard ..... A61B 17/8057  
606/291  
2014/0277186 A1 9/2014 Granberry et al.  
2015/0012050 A1 1/2015 Anderson  
2015/0164564 A1 6/2015 Reiley  
2015/0272646 A1\* 10/2015 Russell ..... A61B 17/7098  
606/304  
2015/0282844 A1\* 10/2015 Vedula ..... A61B 17/7032  
606/305  
2016/0213413 A1\* 7/2016 Hientzsch ..... A61B 17/863  
2016/0310182 A1\* 10/2016 Sixto ..... A61B 17/8605  
2017/0065424 A1 3/2017 Lauf et al.  
2018/0368898 A1\* 12/2018 DiVincenzo ..... A61B 17/863

OTHER PUBLICATIONS

International Preliminary Report for International Application No.  
PCT/US2016/050306, dated Mar. 15, 2018, 30 pages.  
Search Report and Written Opinion for International Application  
No. PCT/US2016/050306, dated Feb. 14, 2017, 13 pages.  
U.S. Office Action on U.S. Appl. No. 15/256,530, dated Apr. 10,  
2018, 10 pages.

\* cited by examiner

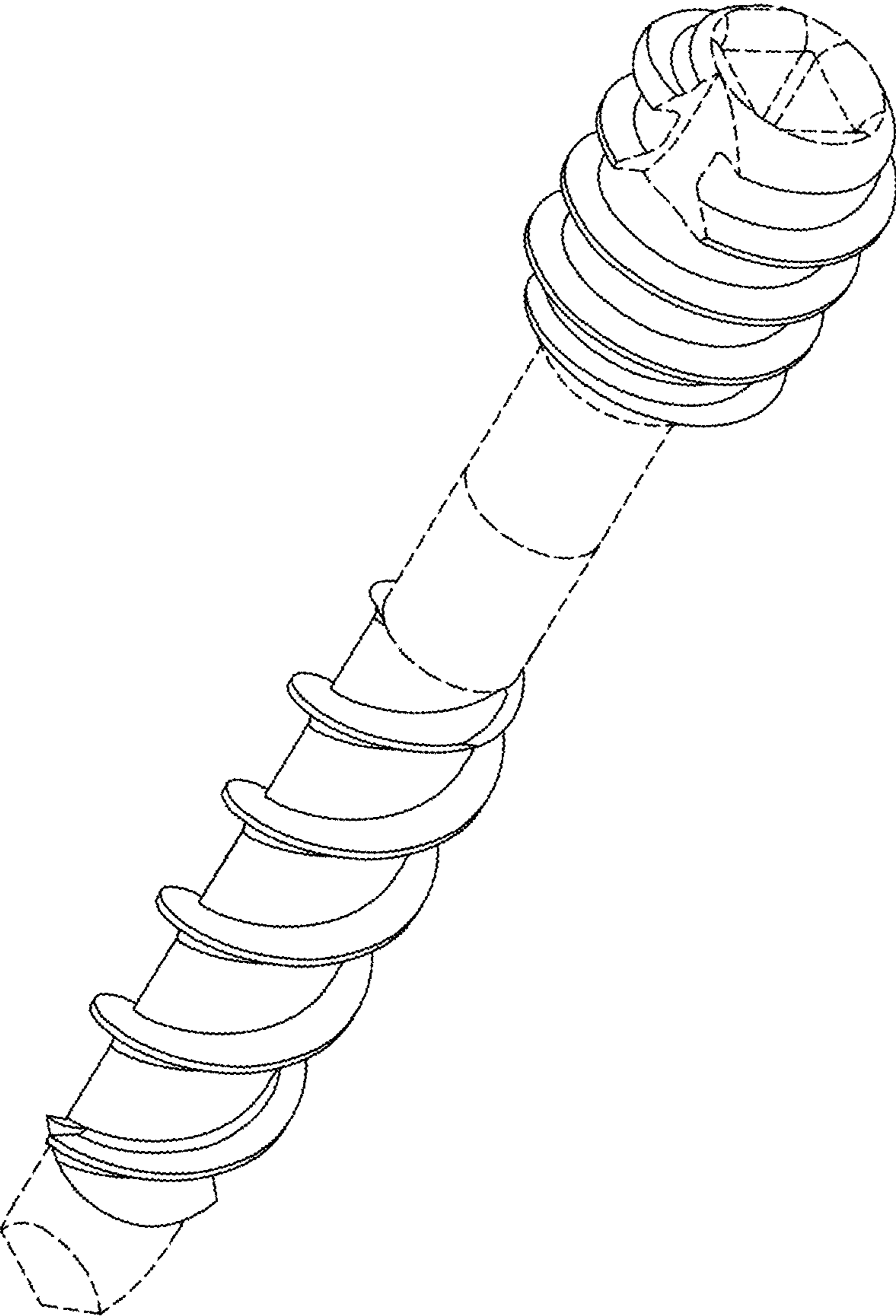


Fig. 1

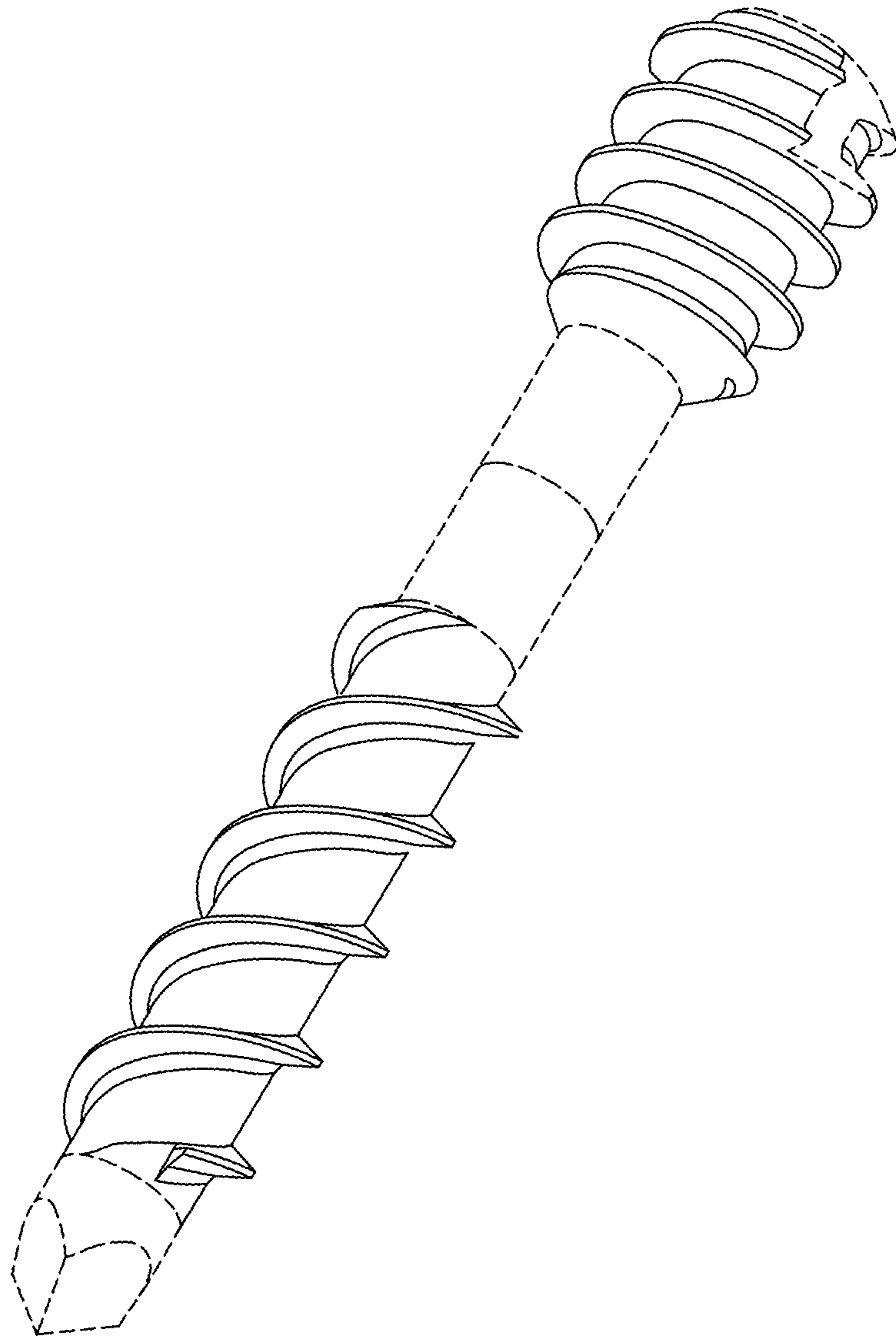


Fig. 2

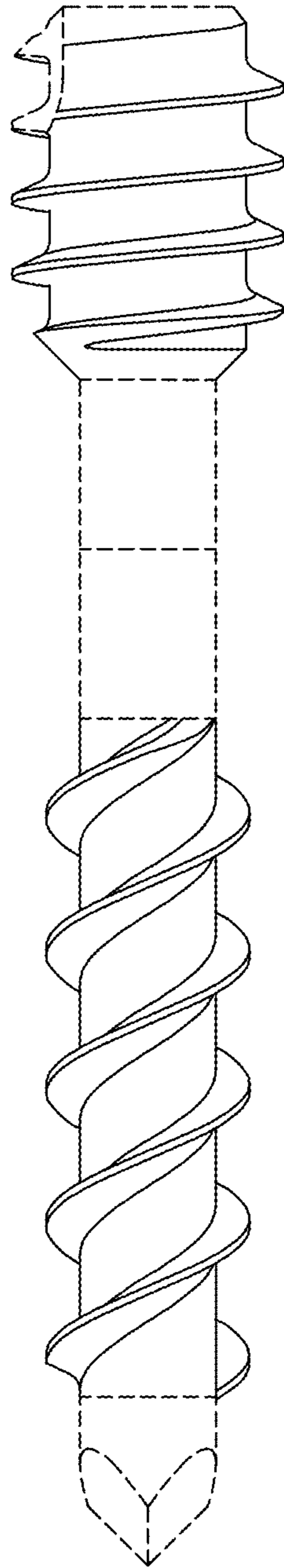


Fig. 3

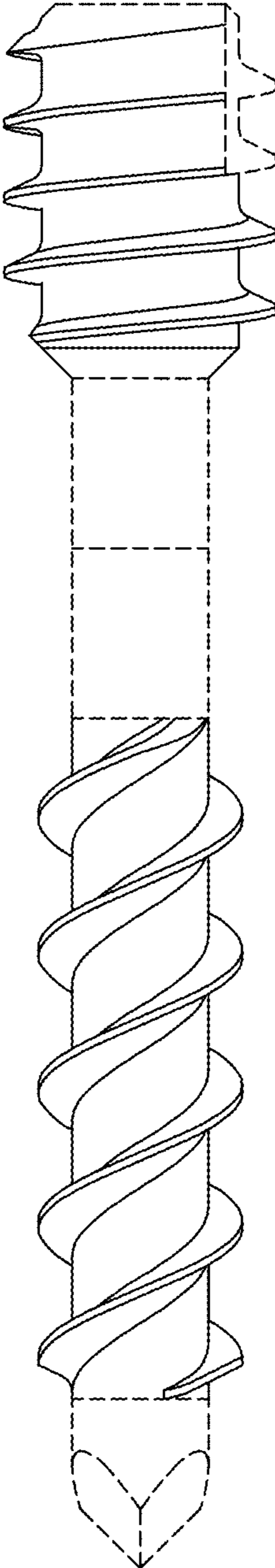


Fig. 4