



US00D884177S

(12) **United States Design Patent**
Orion et al.

(10) **Patent No.:** **US D884,177 S**

(45) **Date of Patent:** **** May 12, 2020**

(54) **SHEATH OF AN ANASTOMOSIS DEVICE**

2011/0011916 A1* 1/2011 Levine A61B 17/115
227/179.1

(71) Applicant: **Vascular Graft Solutions LTD,**
Tel-Aviv (IL)

2017/0049450 A1* 2/2017 Foerster A61B 18/082
2018/0110524 A1* 4/2018 Suyker A61B 17/1152

(72) Inventors: **Eyal Orion,** Ramat Efal (IL); **Boaz Harari,** Ganey Tikva (IL)

* cited by examiner

(73) Assignee: **Vascular Graft Solutions LTD,**
Tel-Aviv (IL)

Primary Examiner — Charles D Hanson
(74) *Attorney, Agent, or Firm* — Howard & Howard
Attorneys PLLC

(**) Term: **15 Years**

(57) **CLAIM**

(21) Appl. No.: **29/669,306**

The ornamental design for a sheath of an anastomosis device, as shown and described.

(22) Filed: **Nov. 7, 2018**

DESCRIPTION

(51) **LOC (12) Cl.** **24-02**

(52) **U.S. Cl.**
USPC **D24/155**

(58) **Field of Classification Search**
USPC D24/155
CPC A61B 17/11; A61B 17/115
See application file for complete search history.

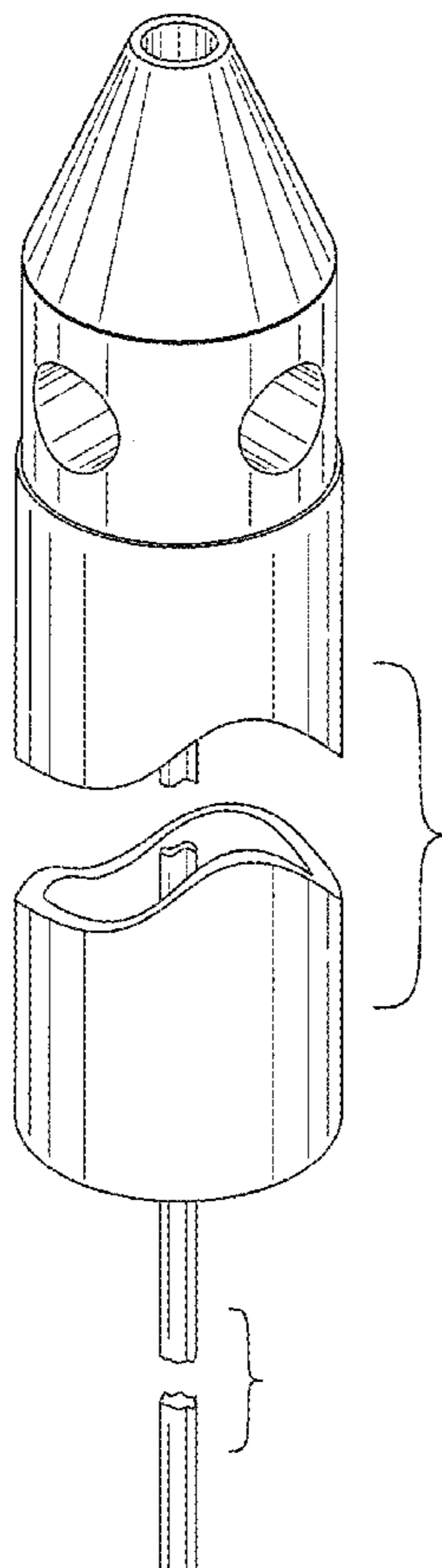
FIG. 1 is a perspective view of the sheath of an anastomosis device of the present invention;
FIG. 2 is another perspective view of the sheath of an anastomosis device of the present invention;
FIG. 3 is a front side elevational view of the sheath of an anastomosis device of the present invention (the back side elevational view is a mirror image of the front side elevational view);
FIG. 4 is a top plan view of the sheath of an anastomosis device of the present invention; and,
FIG. 5 is a bottom plan view of the sheath of an anastomosis device of the present invention.

(56) **References Cited**

U.S. PATENT DOCUMENTS

2002/0173809 A1* 11/2002 Fleischman A61B 17/11
606/153
2005/0154411 A1* 7/2005 Breznock A61B 17/320016
606/184

1 Claim, 4 Drawing Sheets



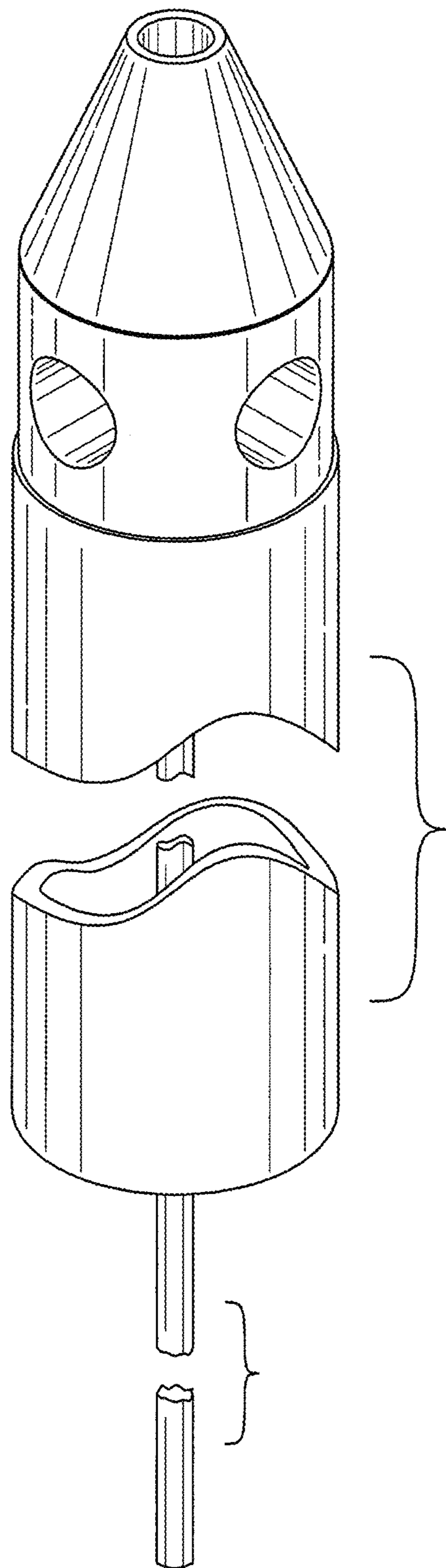


Fig. 1

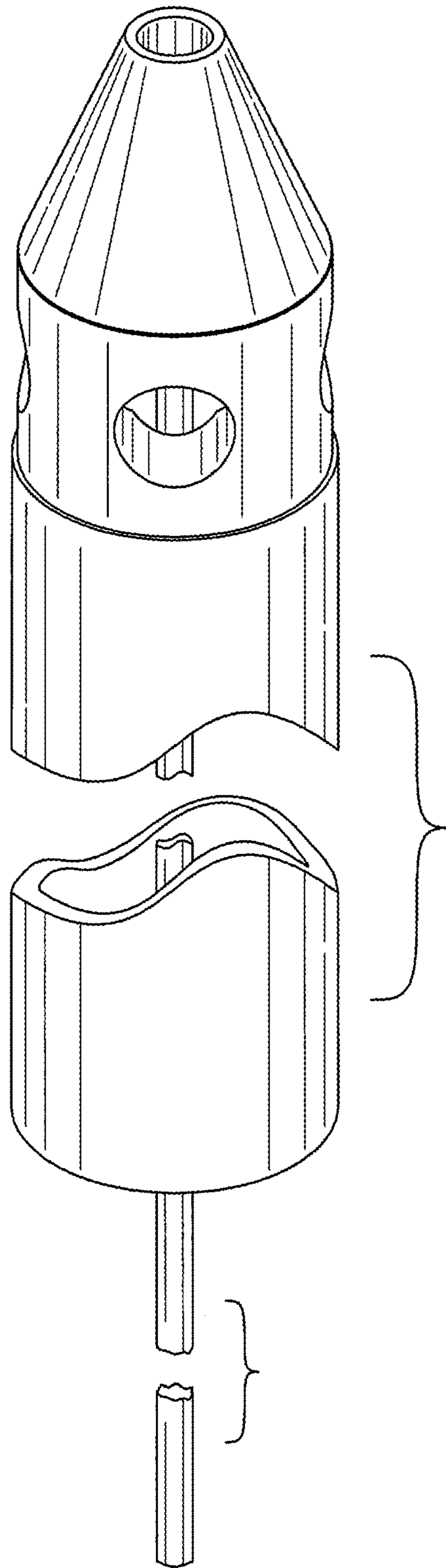


Fig. 2

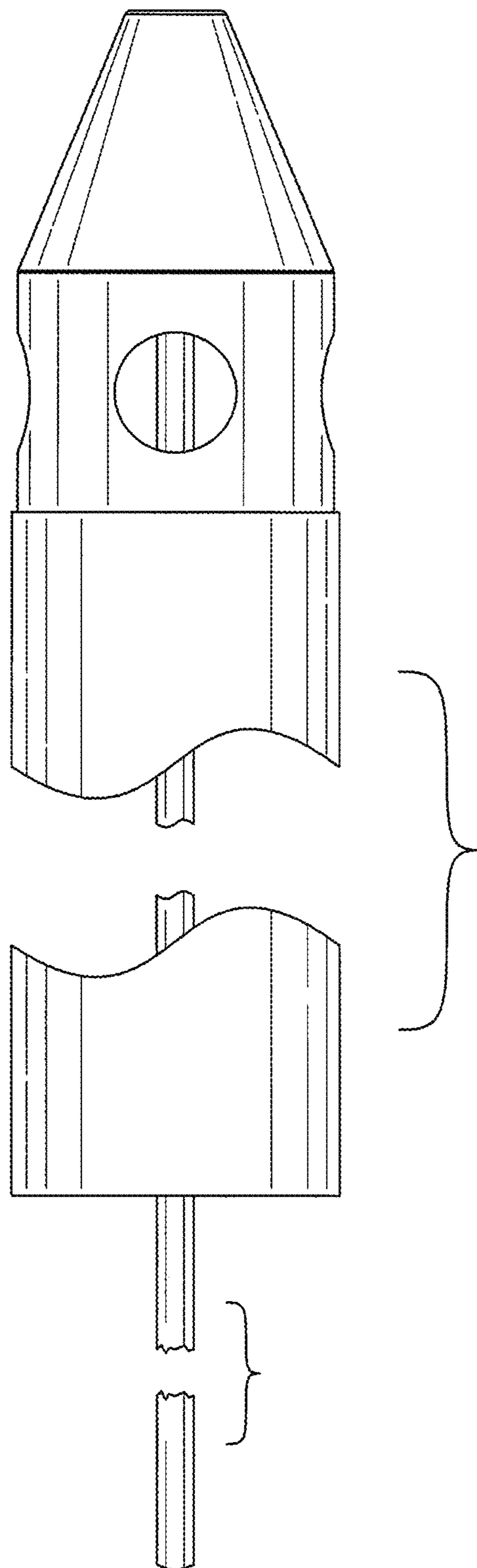


Fig. 3

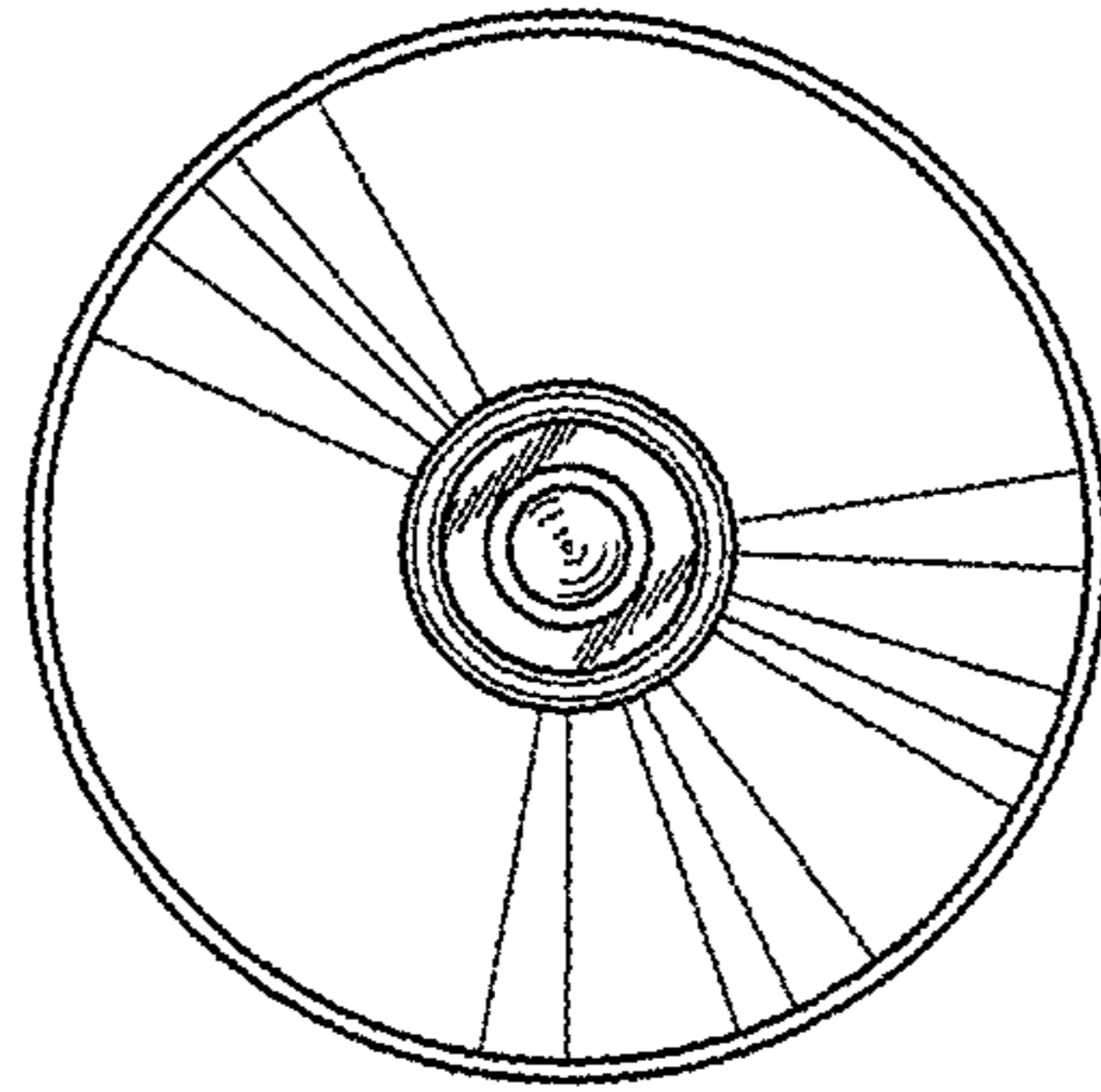


Fig. 4

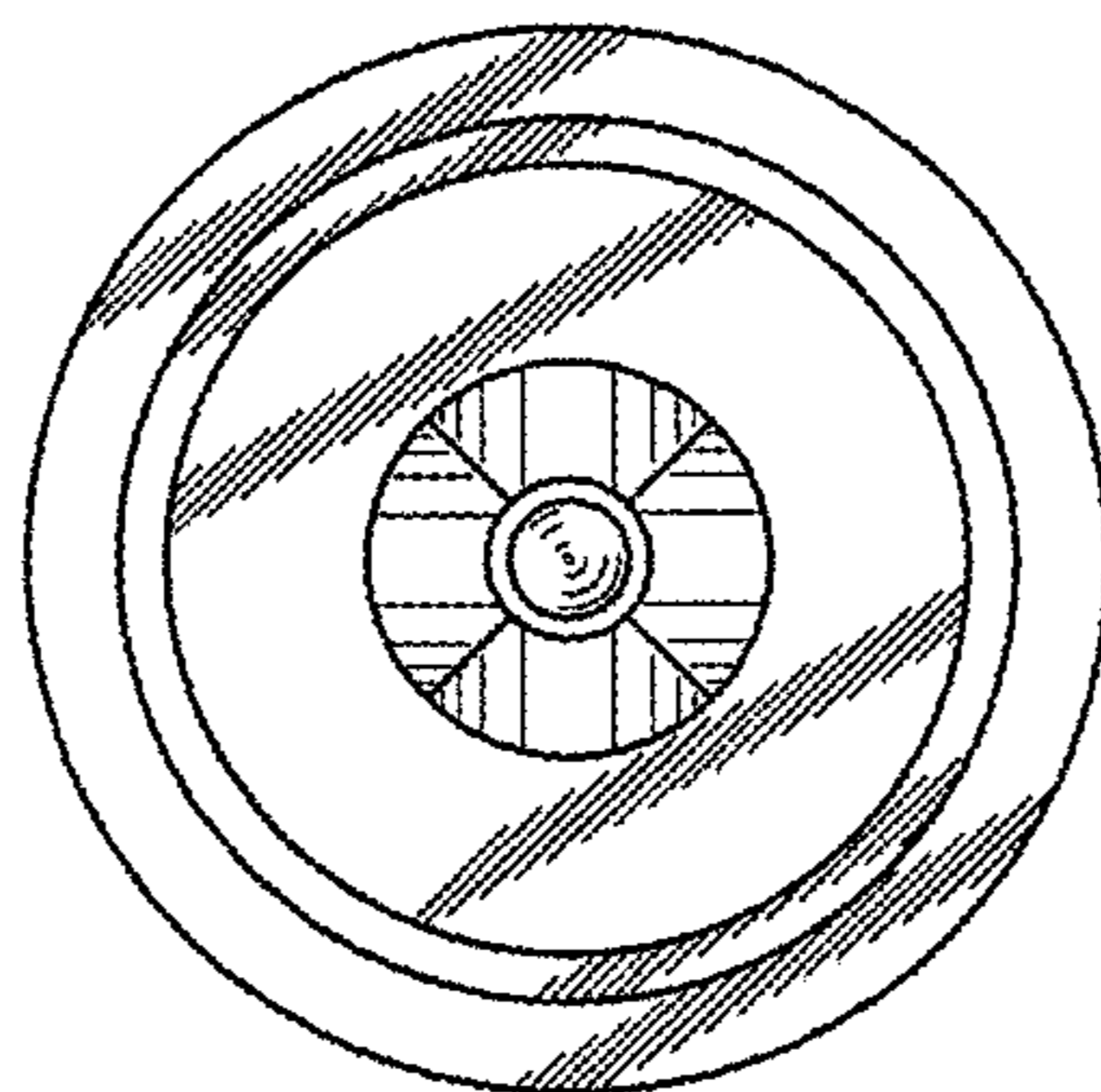


Fig. 5