



US00D884174S

(12) **United States Design Patent**  
**Orion et al.**

(10) **Patent No.:** **US D884,174 S**

(45) **Date of Patent:** **\*\* May 12, 2020**

(54) **ANASTOMOTIC HOLE GENERATING DEVICE**

(71) Applicant: **Vascular Graft Solutions LTD,**  
Tel-Aviv (IL)

(72) Inventors: **Eyal Orion,** Ramat Efal (IL); **Boaz Harari,** Ganey Tikva (IL)

(73) Assignee: **Vascular Graft Solutions LTD,**  
Tel-Aviv (IL)

(\*\*) Term: **15 Years**

(21) Appl. No.: **29/667,221**

(22) Filed: **Oct. 19, 2018**

(51) **LOC (12) Cl.** ..... **24-04**

(52) **U.S. Cl.**  
USPC ..... **D24/147**

(58) **Field of Classification Search**  
USPC ..... D24/147, 155–157  
CPC ..... A61B 17/115  
See application file for complete search history.

(56) **References Cited**

**U.S. PATENT DOCUMENTS**

2002/0173809 A1\* 11/2002 Fleischman ..... A61B 17/11  
606/153  
2005/0154411 A1\* 7/2005 Breznock ..... A61B 17/32001  
606/184

2011/0011916 A1\* 1/2011 Levine ..... A61B 17/115  
227/179.1  
2017/0049450 A1\* 2/2017 Foerster ..... A61B 18/082  
2018/0110524 A1\* 4/2018 Suyker ..... A61B 17/1152

\* cited by examiner

*Primary Examiner* — Charles D Hanson  
(74) *Attorney, Agent, or Firm* — Howard & Howard  
Attorneys PLLC

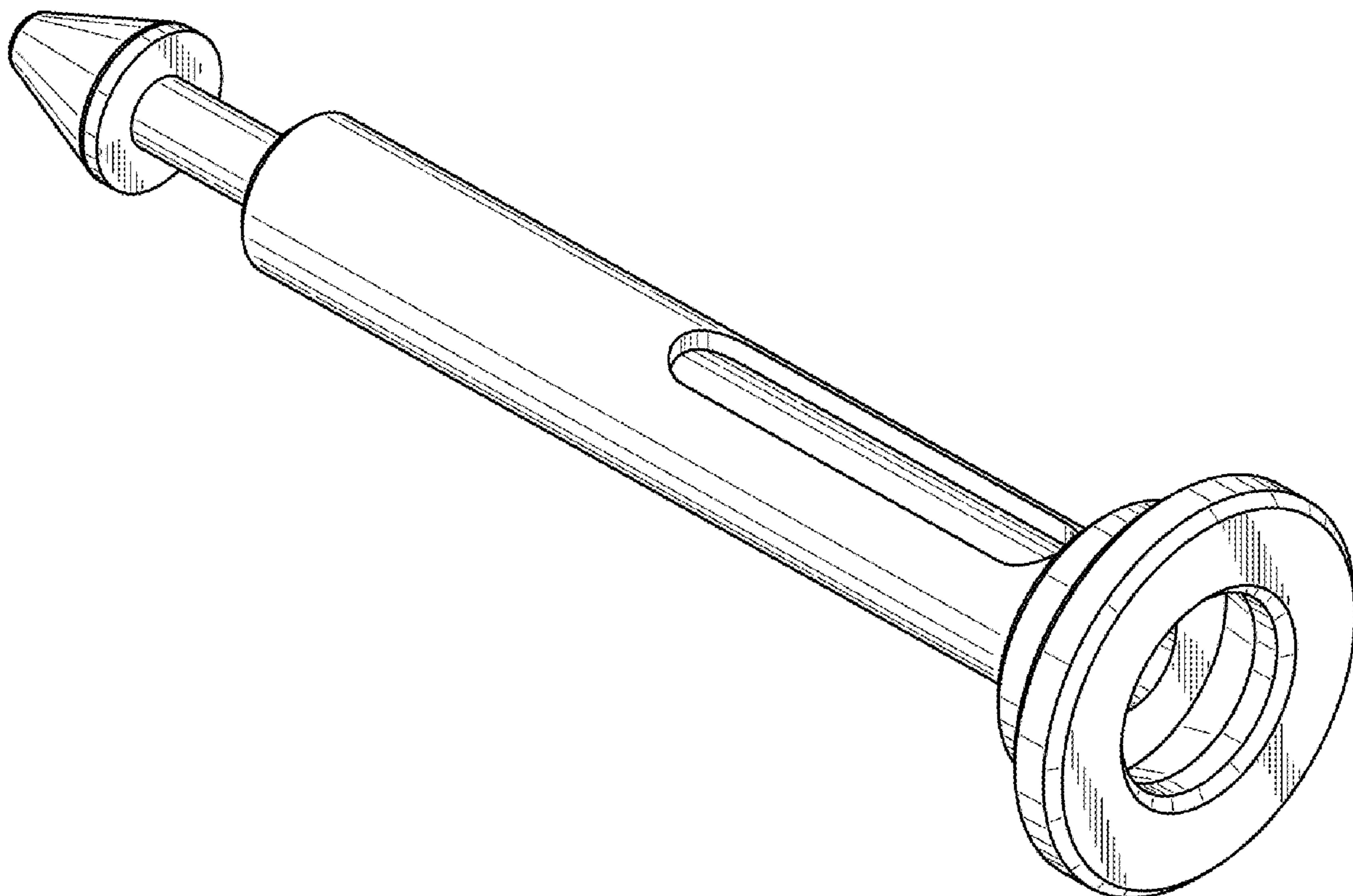
(57) **CLAIM**

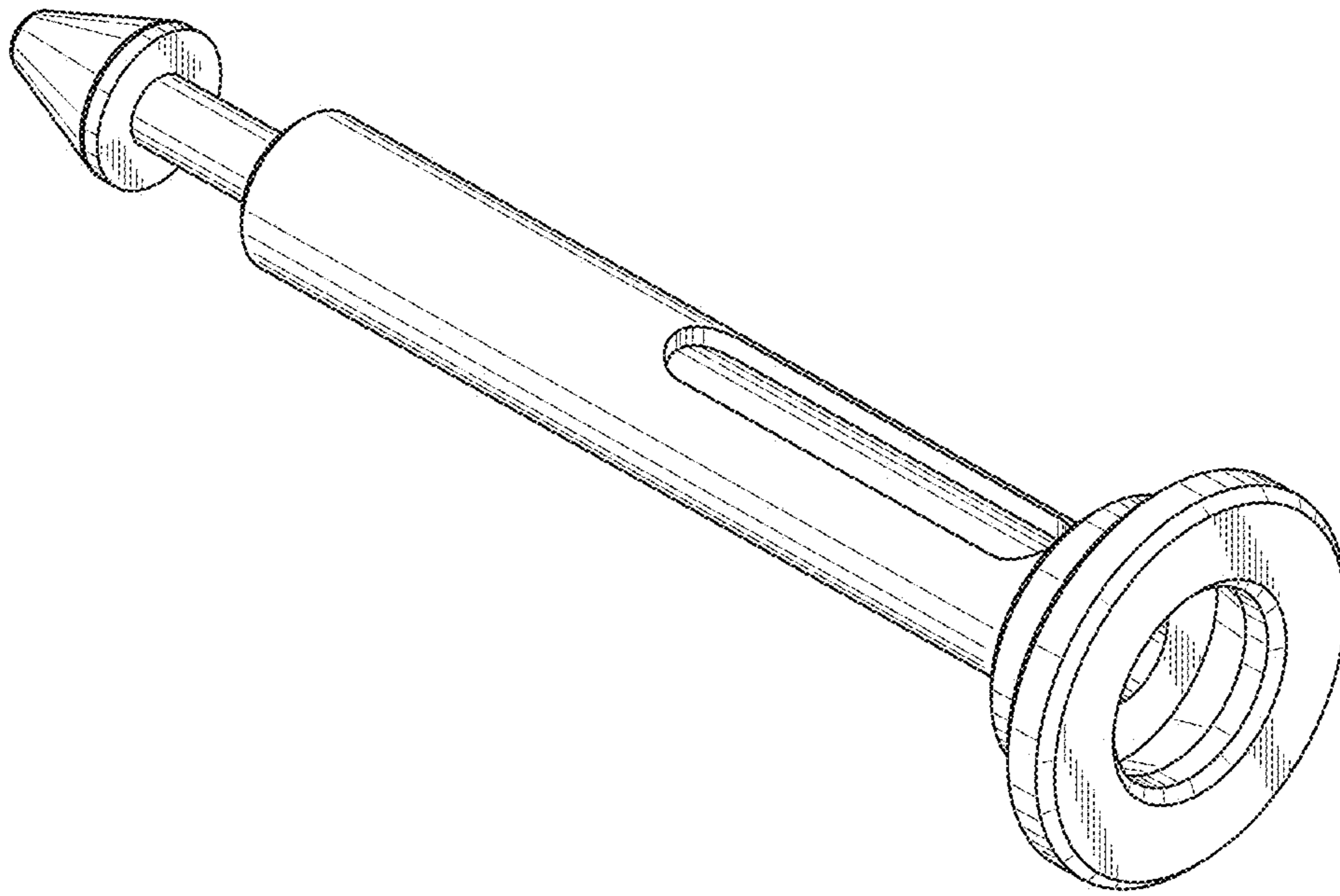
The ornamental design for an anastomotic hole generating device, as shown and described.

**DESCRIPTION**

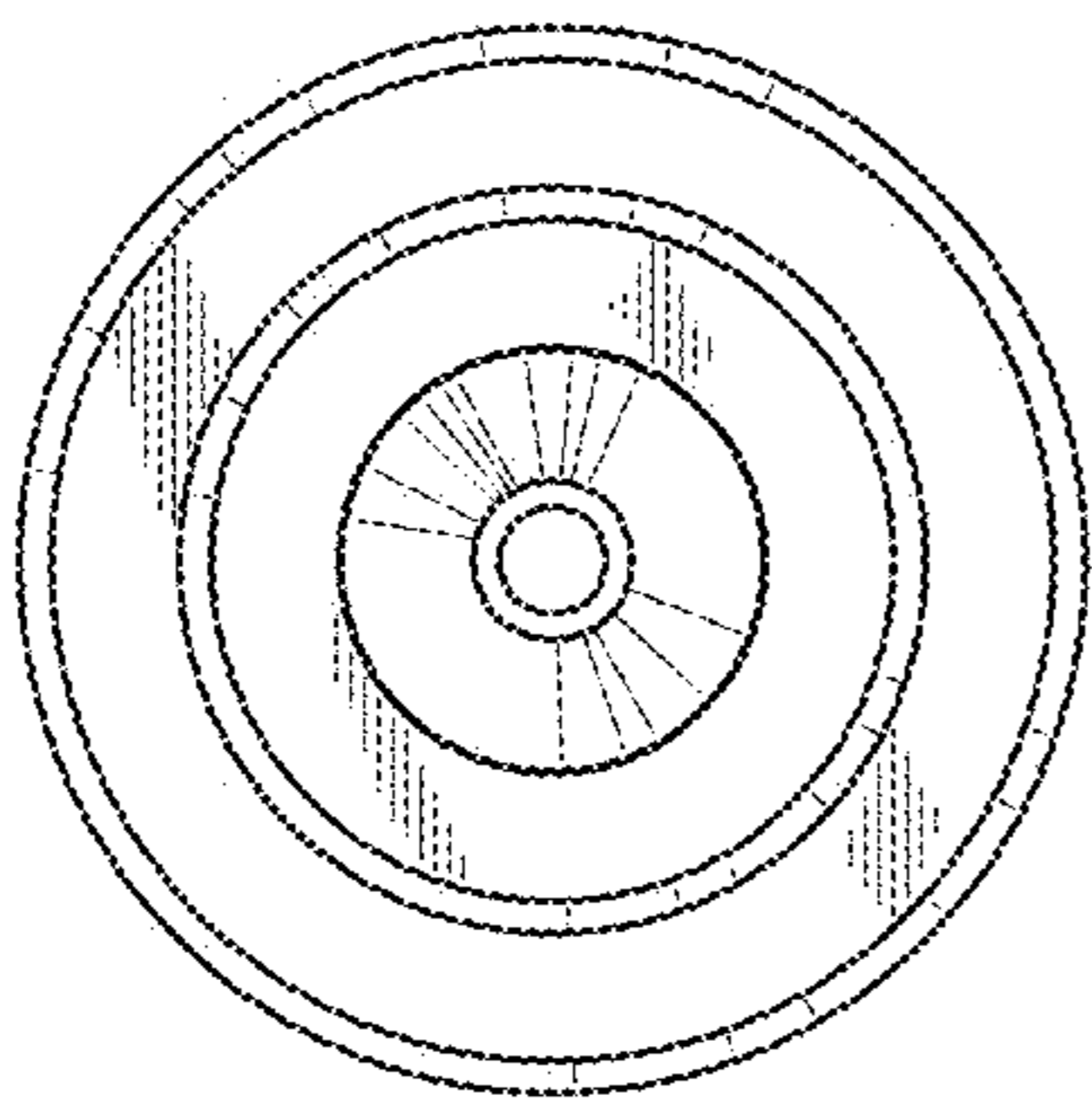
FIG. 1 is a perspective view of the anastomotic hole generating device of the present invention;  
FIG. 2 is a top plan view of the anastomotic hole generating device of the present invention;  
FIG. 3 is a bottom plan view of the anastomotic hole generating device of the present invention;  
FIG. 4 is a front side elevational view of the anastomotic hole generating device of the present invention (the back side elevational view is a mirror image of the front side elevational view); and,  
FIG. 5 is a right side elevational view of the anastomotic hole generating device of the present invention (the left side elevational view is a mirror image of the right side elevational view).

**1 Claim, 2 Drawing Sheets**

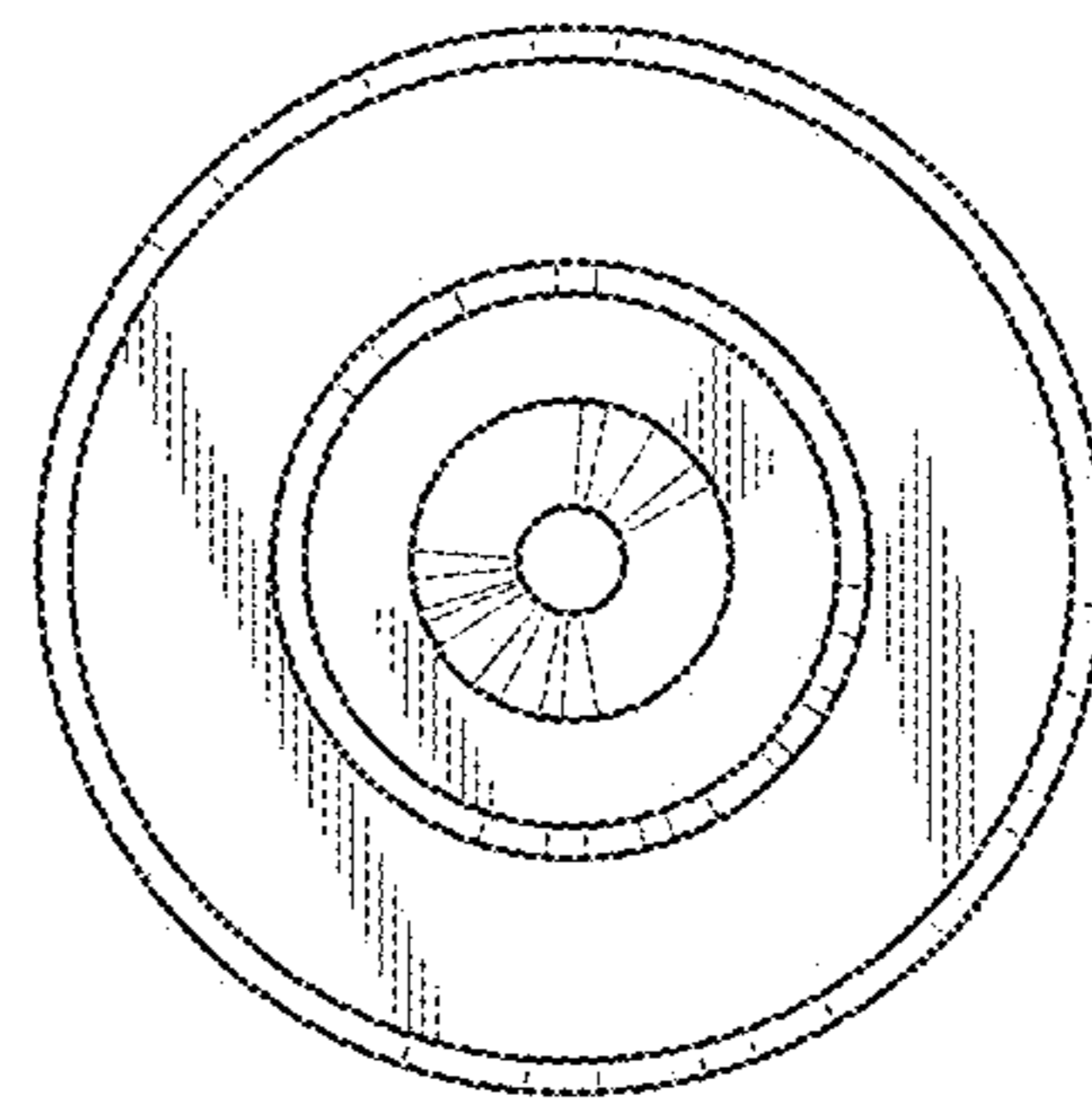




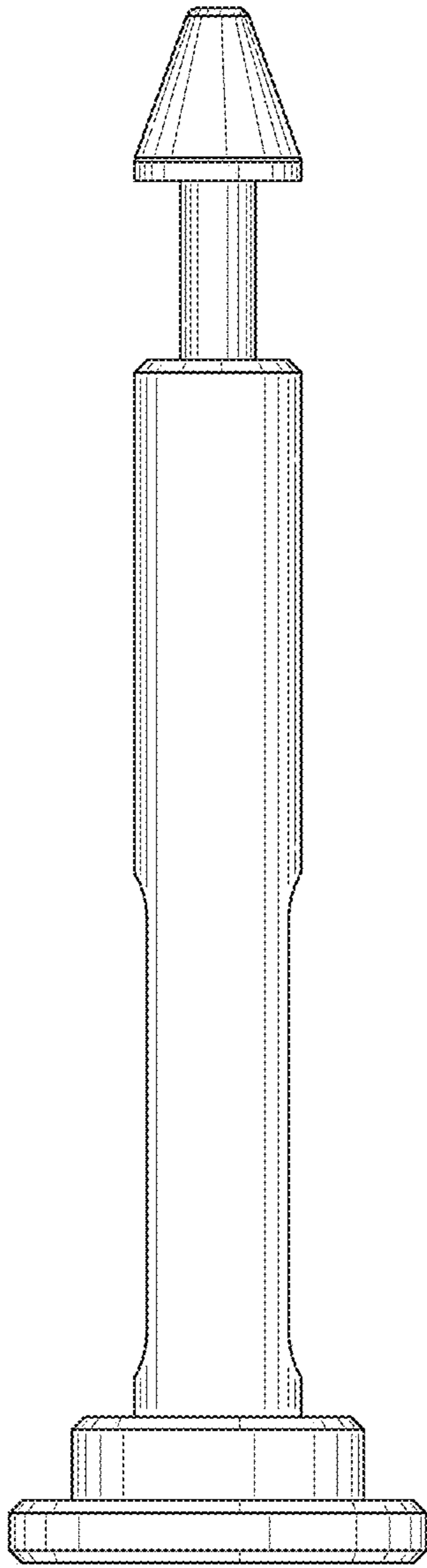
*Fig. 1*



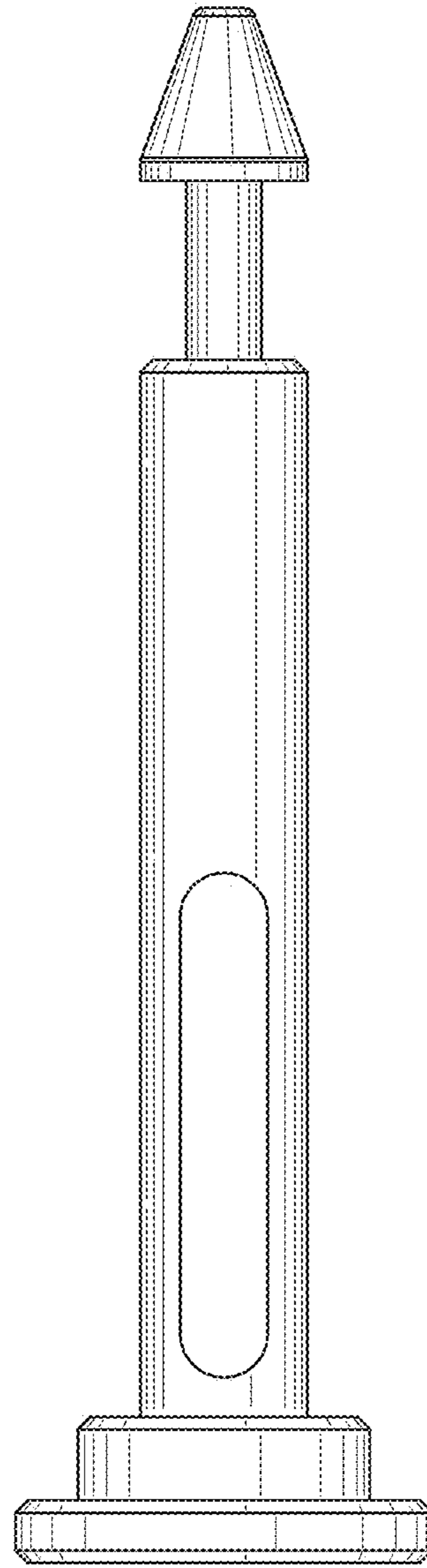
*Fig. 2*



*Fig. 3*



*Fig. 4*



*Fig. 5*