



US00D884172S

(12) **United States Design Patent** (10) **Patent No.:** **US D884,172 S**
Bono et al. (45) **Date of Patent:** **** May 12, 2020**

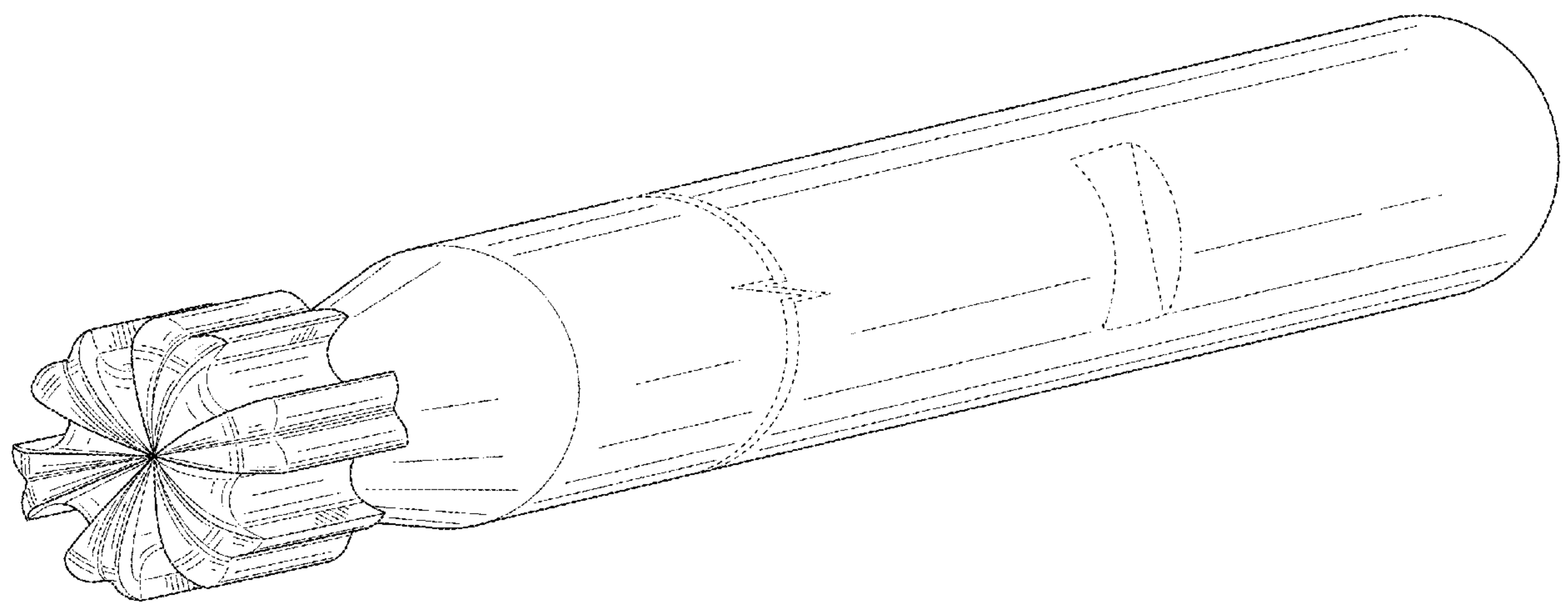
(54) **SURGICAL CUTTING TOOL**
(71) Applicant: **Peter L. Bono**, Bingham Farms, MI (US)
(72) Inventors: **Peter L. Bono**, Bingham Farms, MI (US); **James D. Lark**, West Bloomfield, MI (US); **John S. Scales**, Ann Arbor, MI (US)
(73) Assignee: **Peter L. Bono**, Bingham Farms, MI (US)
(**) Term: **15 Years**
(21) Appl. No.: **29/633,162**
(22) Filed: **Jan. 12, 2018**
(51) **LOC (12) Cl.** **24-02**
(52) **U.S. Cl.**
USPC **D24/146**
(58) **Field of Classification Search**
USPC D24/104, 108, 112-114, 117-119, 127, D24/200, 209, 215, 130, 133, 141, 144, D24/146, 147, 150, 152, 155, 176, 185, D24/186, 187, 188, 207, 210, 216, 231, D24/232; D15/21, 22, 23, 24, 25, 26, 27, D15/28, 29, 138, 139; D8/70; D28/7, 9, D28/20; D25/126
CPC B23B 51/02; B23B 51/08; B23B 51/10; B23B 51/00; B23B 2251/50; B23B 2251/18; B23B 2251/46; B23B 2222/28; B23B 2240/08; B23B 2251/406; B23B 2251/241; Y10S 408/713; Y10T 407/26; Y10T 408/9097; Y10T 408/899; Y10T 408/90; A61C 3/02; A61C 8/0089; A61C 1/07; A61B 17/3213; A61B 17/3417; A61B 17/14; A61B 17/142; A61B 17/320016;
(Continued)

(56) **References Cited**
U.S. PATENT DOCUMENTS
2,825,186 A 3/1958 Palush
2,834,158 A 5/1958 Petermann
(Continued)
FOREIGN PATENT DOCUMENTS
CN 10126774 1/2012
EP 1937160 4/2011
(Continued)
Primary Examiner — Samantha Q Lawrence
(74) *Attorney, Agent, or Firm* — McHale & Slavin, P.A.

(57) **CLAIM**
The ornamental design for a surgical cutting tool, as shown and described.

DESCRIPTION
FIG. 1 is a top front perspective view of the surgical cutting tool of the present invention;
FIG. 2 is a left front perspective view thereof;
FIG. 3 is a top rear perspective view thereof;
FIG. 4 is a front view thereof;
FIG. 5 is a rear view thereof;
FIG. 6 is a left side view thereof, the right side view being a mirror image thereof;
FIG. 7 is a top view thereof, the bottom view being a mirror image thereof;
FIG. 8 is a partial top view thereof, illustrating the cutting end of the surgical cutting tool; and,
FIG. 9 is a partial bottom view thereof, illustrating the cutting end of the surgical cutting tool.
The broken lines shown in FIGS. 1-3 and FIGS. 6-7 illustrate portions of the surgical cutting tool that form no part of the claimed design. The broken line break lines shown in FIGS. 1-3 and FIGS. 6-7 illustrate a symbolic break in length and form no part of the claimed design. The appearance of any portion of the article between the break lines forms no part of the claimed design.

1 Claim, 7 Drawing Sheets



(58) **Field of Classification Search**

CPC A61B 17/32002; A61B 17/3211; A61B 2017/00473; A61B 2017/320032; A61B 2017/32113; A61B 2017/32116; A61B 2017/3454; A61B 2018/1412; A61B 90/30; A61B 17/144; A61B 17/1615; A61B 17/162; A61B 17/1624; A61B 17/1633; A61B 17/1637; A61B 17/1659; A61B 17/16; A61B 17/1604; A61B 2017/00261; A61B 2017/320075; A61B 2017/32007; A61B 2017/320077; A61B 2217/007; A61B 17/1617; A61B 17/1631; A61B 2017/320028; B24D 5/123; B23D 61/006; B23D 61/121; B23D 61/02-10; B23P 15/32; B27B 19/006

See application file for complete search history.

7,387,612 B2 6/2008 Pal et al.
 7,540,875 B2* 6/2009 Jessen A61B 17/32093
 606/167
 7,717,710 B2 5/2010 Danger et al.
 D623,736 S * 9/2010 Tsurukawa D24/119
 7,922,720 B2 4/2011 May et al.
 8,025,662 B2 9/2011 Knisely et al.
 8,353,912 B2 1/2013 Darian et al.
 8,480,673 B2 7/2013 Yedlicka et al.
 D779,670 S * 2/2017 Krystyniak D24/146
 D800,903 S * 10/2017 Heiliger D24/144
 D845,484 S * 4/2019 Bilodeau D24/152
 2004/0147934 A1 7/2004 Kiester
 2005/0149053 A1* 7/2005 Varieur A61B 17/7086
 606/104
 2005/0273127 A1 12/2005 Novak et al.
 2005/0283175 A1 12/2005 Tanner et al.
 2006/0079909 A1* 4/2006 Runco A61B 17/7076
 606/99

(56)

References Cited

U.S. PATENT DOCUMENTS

3,058,199 A 10/1962 Cave et al.
 3,554,197 A 1/1971 Dobbie
 4,008,720 A 2/1977 Brinckmann et al.
 4,197,645 A 4/1980 Scheicher
 D262,630 S 1/1982 Logan, Jr.
 4,556,347 A 12/1985 Barish
 4,596,243 A 6/1986 Bray
 5,092,875 A 3/1992 McLees
 D332,658 S * 1/1993 Thompson D24/119
 5,478,176 A 12/1995 Stedt et al.
 5,626,444 A 5/1997 Campian
 5,843,110 A 12/1998 Dross et al.
 6,110,174 A 8/2000 Nichter
 D435,101 S * 12/2000 Graneto, III D24/108
 6,234,725 B1 5/2001 Campian
 6,267,542 B1 7/2001 Salmon
 6,498,421 B1 12/2002 Oh et al.
 6,899,685 B2* 5/2005 Kermode A61B 10/0041
 600/114
 6,966,912 B2 11/2005 Michelson
 7,090,442 B2 8/2006 Ahrnkiel et al.
 7,160,304 B2 1/2007 Michelson

2006/0235305 A1 10/2006 Cotter et al.
 2006/0235306 A1 10/2006 Cotter et al.
 2007/0093841 A1 4/2007 Hoogland
 2007/0282344 A1 12/2007 Yedlicka et al.
 2007/0282345 A1 12/2007 Yedlicka et al.
 2009/0024129 A1 1/2009 Gordon et al.
 2010/0145343 A1 6/2010 Johnson et al.
 2010/0256644 A1 10/2010 Stearns et al.
 2011/0015635 A1 1/2011 Aryan
 2011/0184447 A1* 7/2011 Leibowitz A61B 17/320016
 606/170
 2011/0196404 A1 8/2011 Dietz et al.
 2011/0295270 A1 12/2011 Giordano et al.
 2012/0265206 A1 10/2012 Jang et al.
 2014/0277028 A1 9/2014 Voic
 2015/0057664 A1 2/2015 Scianamblo
 2019/0290290 A1* 9/2019 Bono A61B 17/32002

FOREIGN PATENT DOCUMENTS

GB 2430396 3/2007
 KR 1020080070631 7/2008
 KR 1333472 11/2013
 WO WO2007039141 4/2007
 WO WO2009151926 12/2009

* cited by examiner

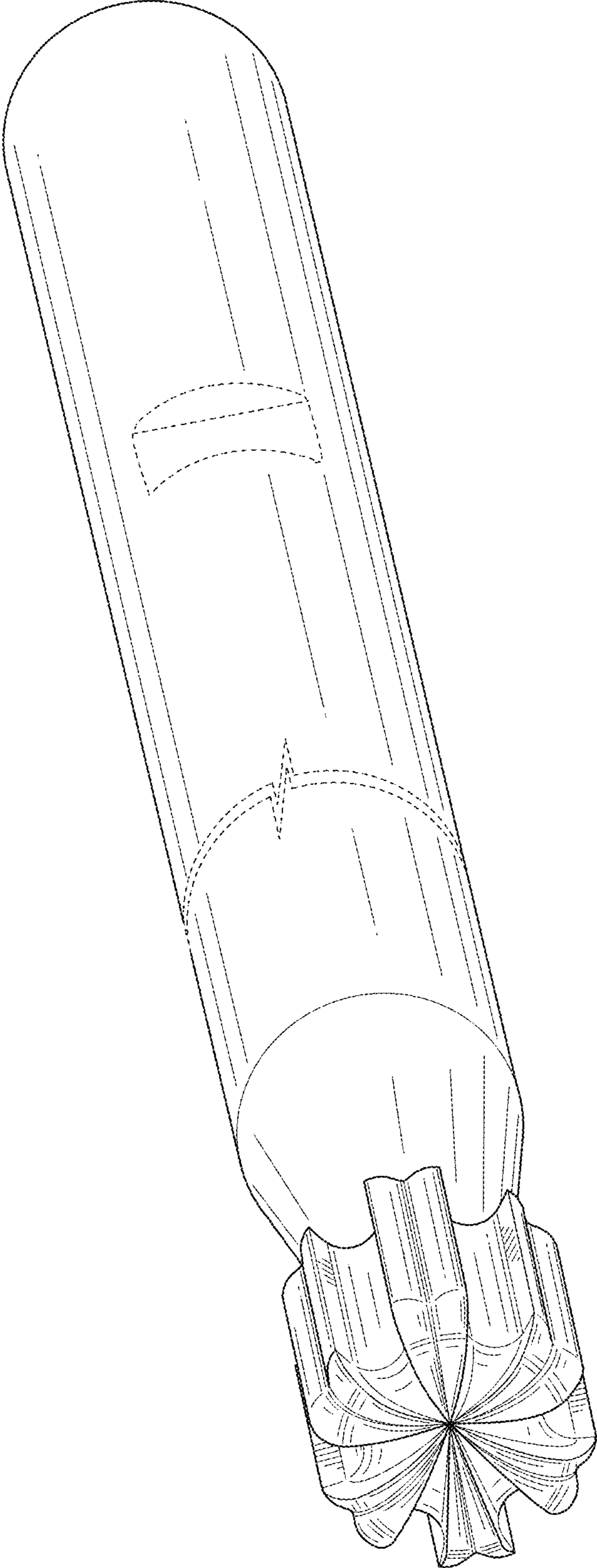


FIG. 1

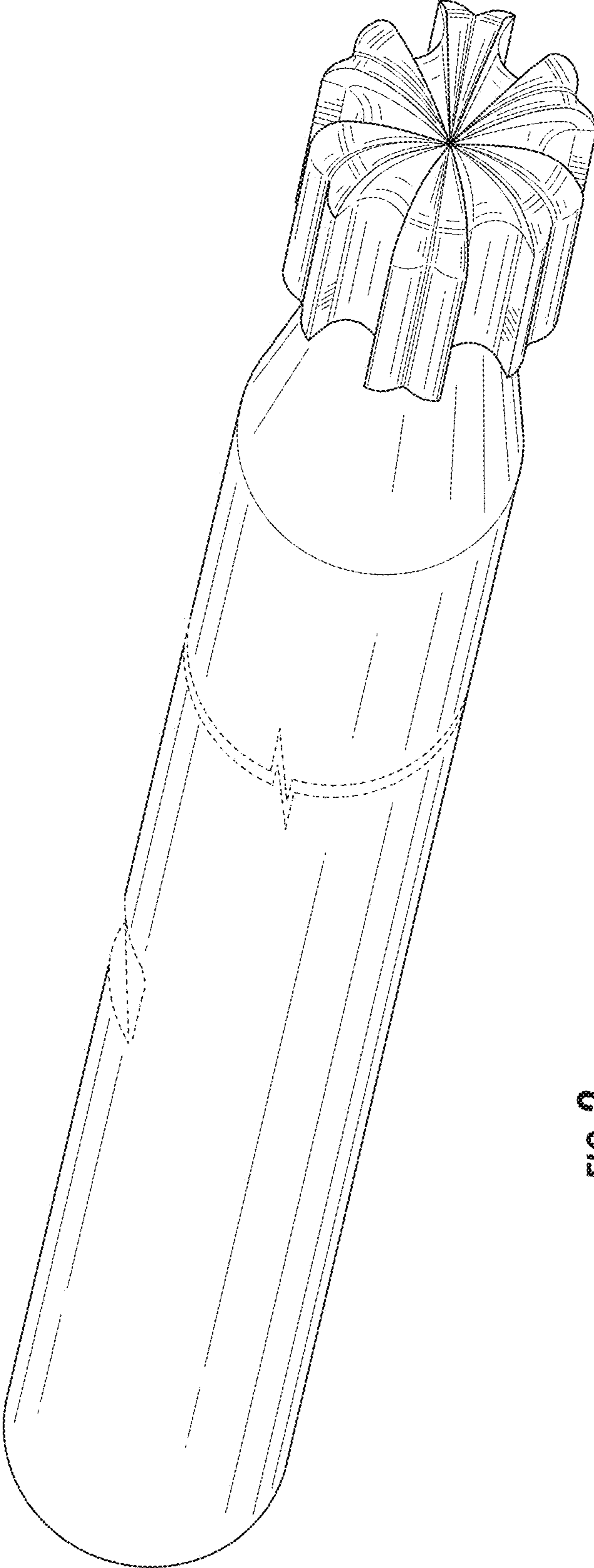


FIG. 2

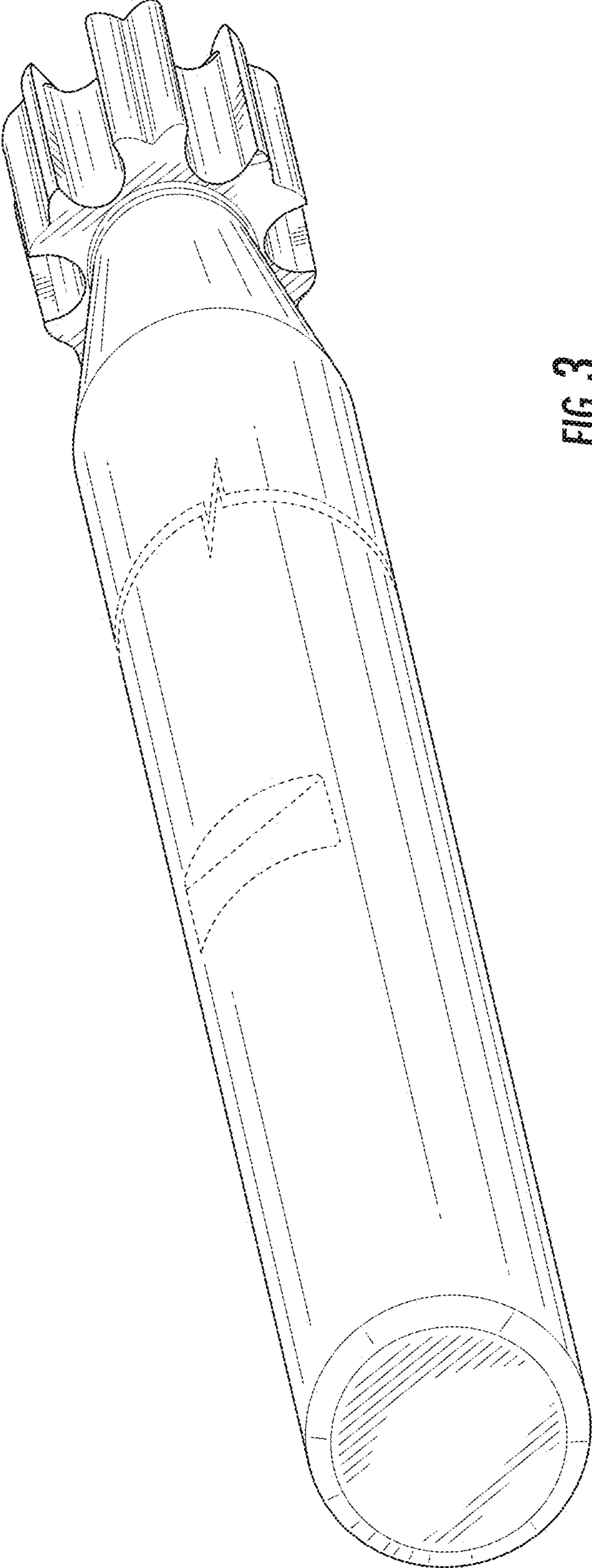


FIG. 3

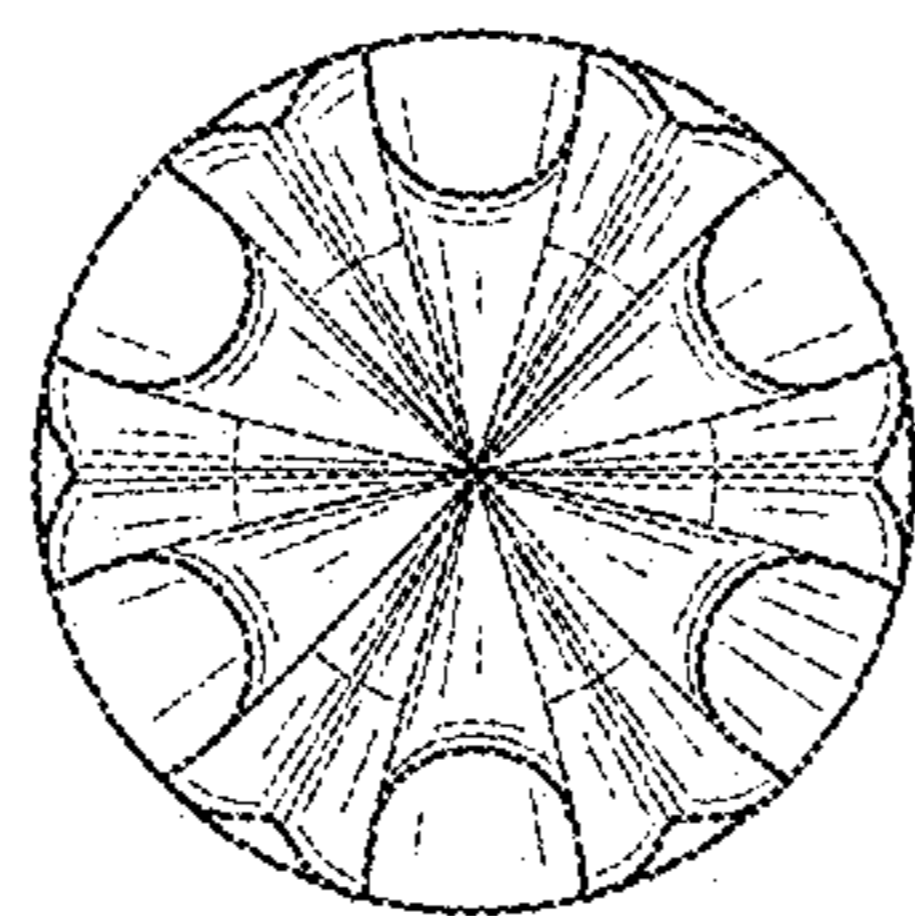


FIG. 4

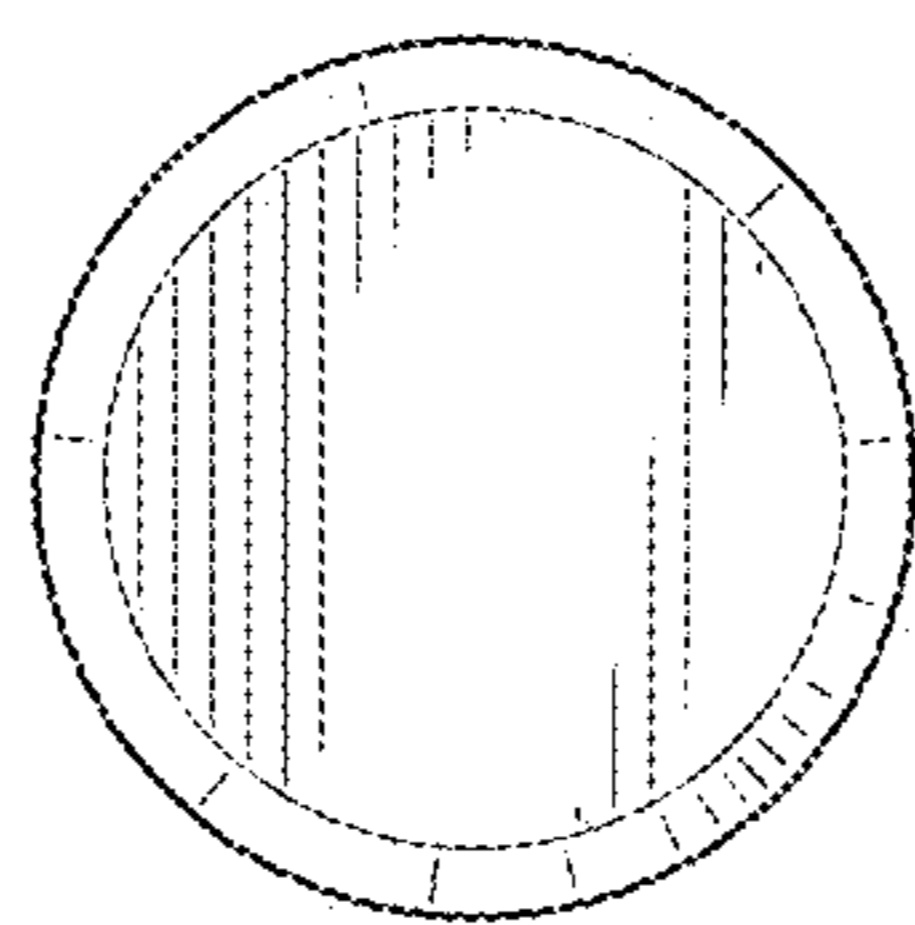


FIG. 5

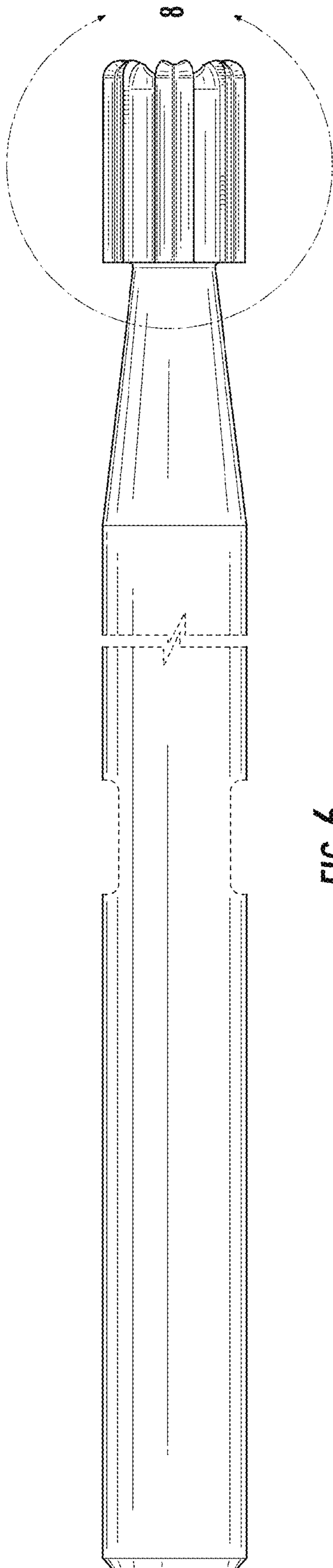


FIG. 6

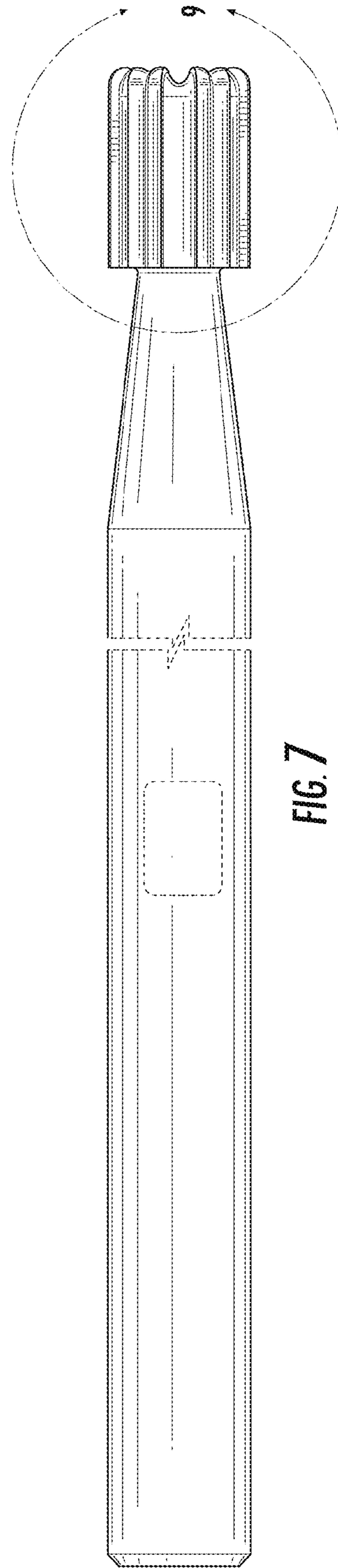


FIG. 7

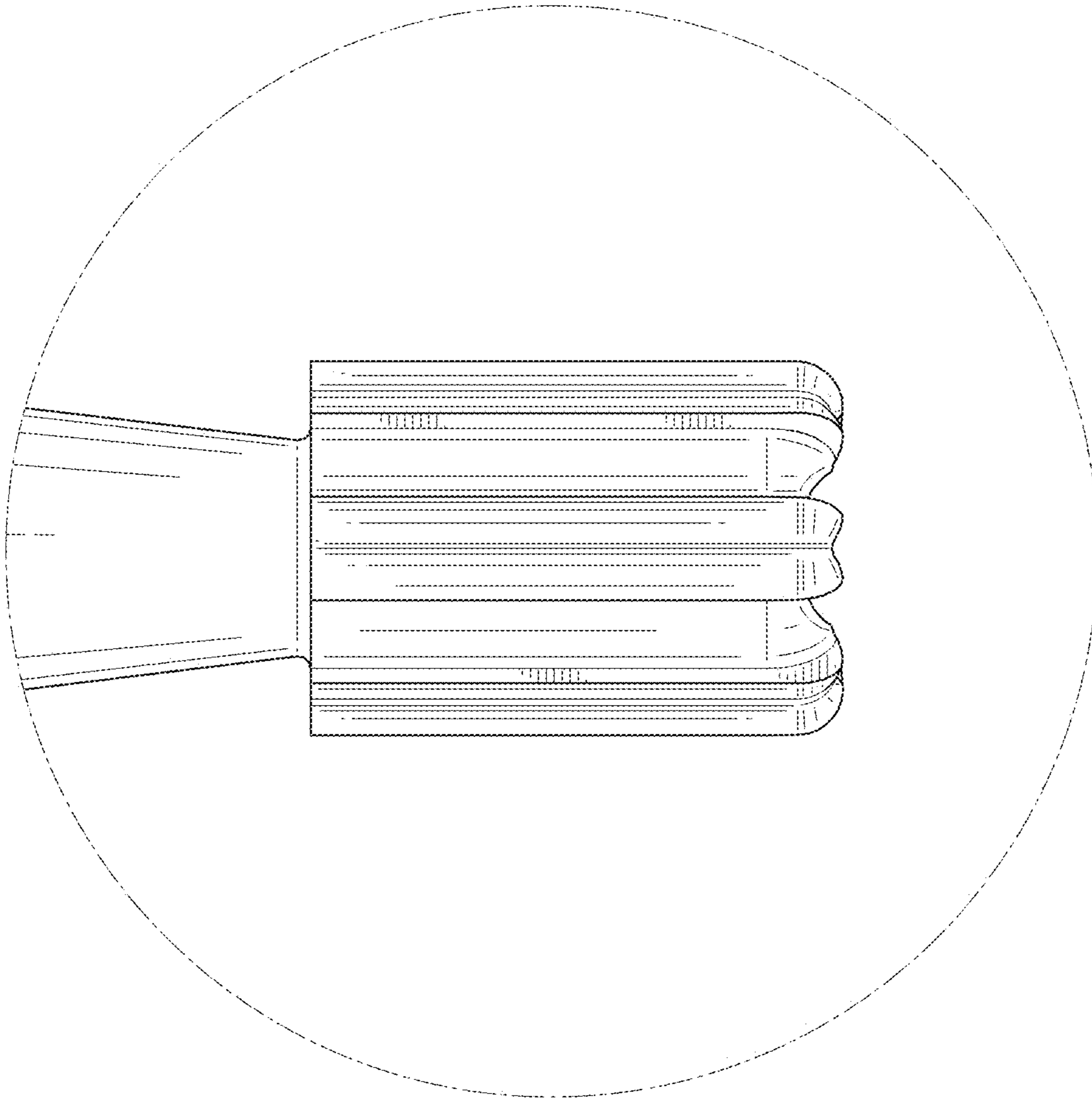


FIG. 8

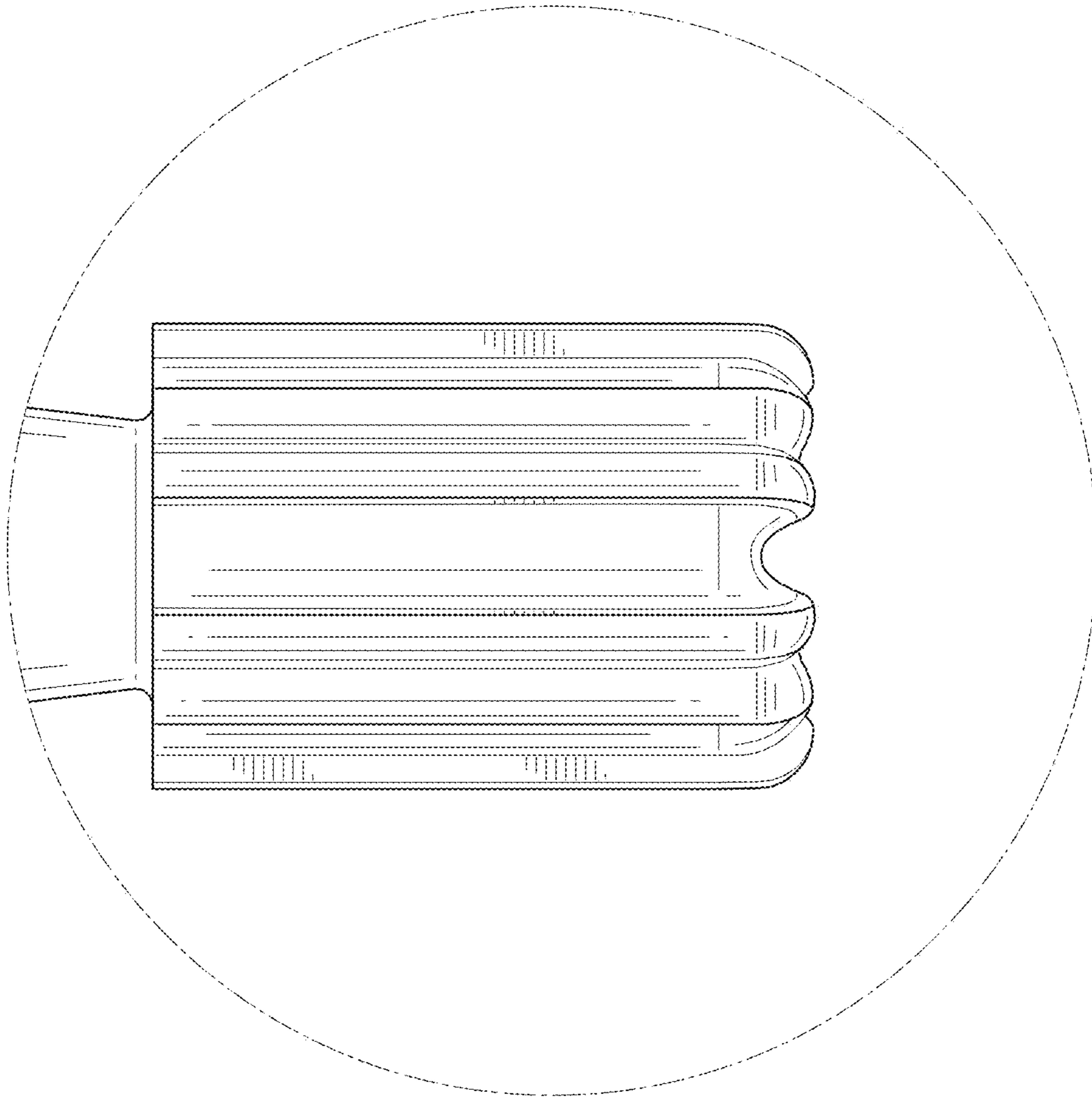


FIG. 9