



US00D884171S

(12) **United States Design Patent** (10) **Patent No.:** **US D884,171 S**
Lear et al. (45) **Date of Patent:** **** May 12, 2020**

(54) **SUTURE BRIDGE**

10,555,730 B2 * 2/2020 Lear A61B 17/0466
2019/0336121 A1 * 11/2019 Lear A61B 17/0466

(71) Applicant: **SUTUREGARD Medical, Inc.**,
Portland, OR (US)

* cited by examiner

(72) Inventors: **William Lear**, Corvallis, OR (US);
Jennifer Akeroyd, Corvallis, OR (US)

Primary Examiner — Wan Laymon

(74) *Attorney, Agent, or Firm* — Wei & Sleman LLP

(73) Assignee: **SUTUREGARD Medical, Inc.**,
Portland, OR (US)

(57) **CLAIM**

The ornamental design for a suture bridge, as shown and described.

(**) Term: **15 Years**

DESCRIPTION

(21) Appl. No.: **29/675,713**

FIG. 1 is a front perspective view of a first embodiment of a suture bridge showing our new design;

(22) Filed: **Jan. 4, 2019**

FIG. 2 is a top plan view thereof;

(51) **LOC (12) Cl.** **24-02**

FIG. 3 is a bottom view thereof;

(52) **U.S. Cl.**
USPC **D24/145**

FIG. 4 is a front view thereof;

(58) **Field of Classification Search**
USPC D24/145; 606/233
CPC A61B 17/0466; A61B 17/0401; A61B
2017/0496
See application file for complete search history.

FIG. 5 is a back view thereof;

FIG. 6 is a right side view thereof;

FIG. 7 is a left side view thereof;

FIG. 8 is a front perspective view of a second embodiment of a suture bridge showing our new design;

FIG. 9 is a top plan view thereof;

FIG. 10 is a bottom view thereof;

FIG. 11 is a front view thereof;

FIG. 12 is a back view thereof;

FIG. 13 is a right side view thereof;

FIG. 14 is a left side view thereof;

FIG. 15 is a front perspective view of a third embodiment of a suture bridge showing our new design;

FIG. 16 is a top plan view thereof;

FIG. 17 is a bottom view thereof;

FIG. 18 is a front view thereof;

FIG. 19 is a back view thereof;

FIG. 20 is a right side view thereof; and,

FIG. 21 is a left side view thereof.

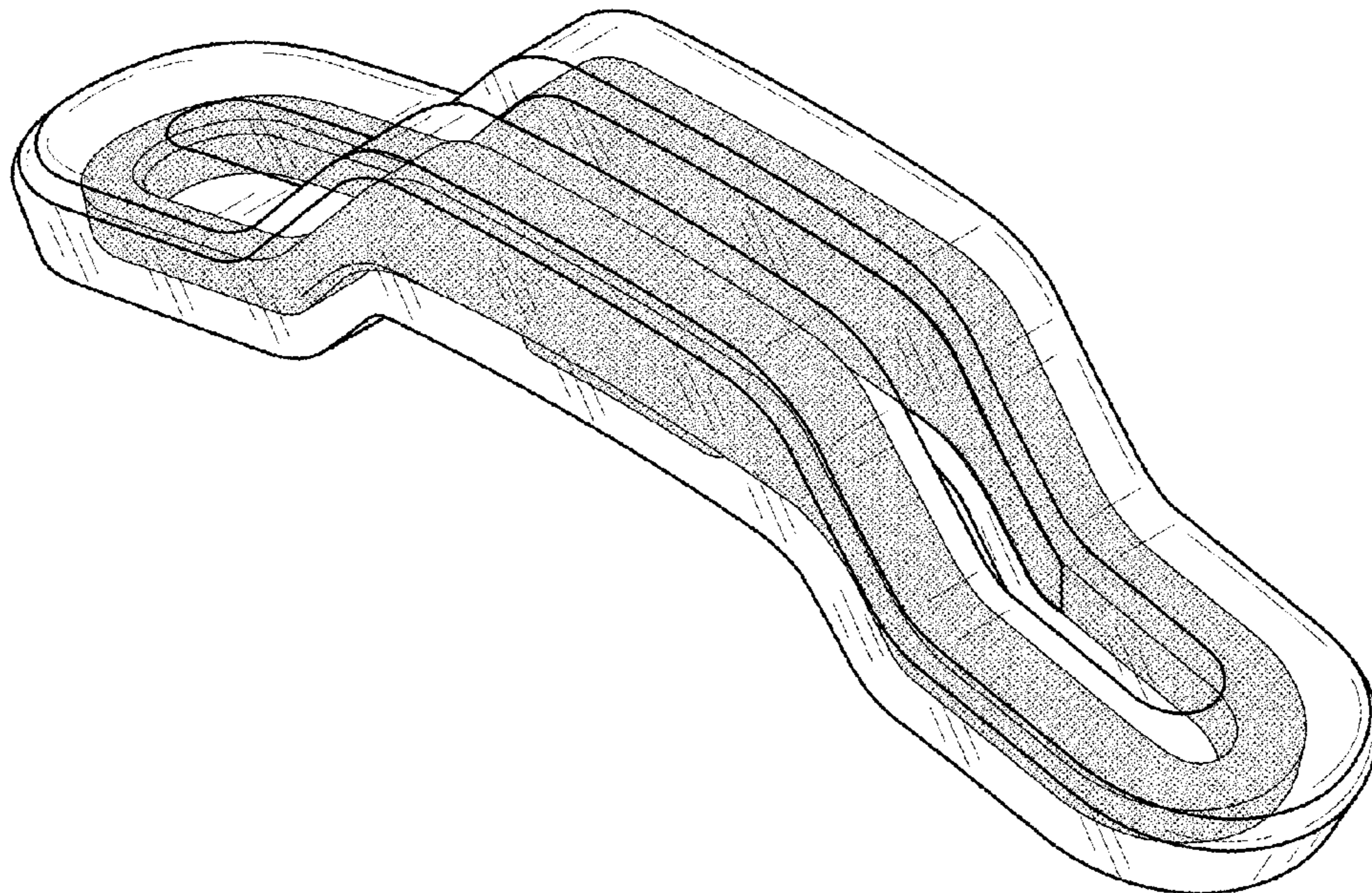
It is noted that any broken line illustration of environmental structure in the drawing is not part of the claimed design.

(56) **References Cited**

U.S. PATENT DOCUMENTS

D190,542 S *	6/1961	McCarthy	D24/145
D224,458 S *	7/1972	Chodorow	D24/145
3,831,608 A *	8/1974	Kletschka	A61B 17/0466
				606/233
3,931,821 A *	1/1976	Kletschka	A61B 17/0466
				606/233
4,275,736 A *	6/1981	Chodorow	A61B 17/0466
				606/233
D260,681 S *	9/1981	Chodorow	D24/145
4,667,675 A *	5/1987	Davis	A61B 17/0466
				24/71.1

1 Claim, 9 Drawing Sheets



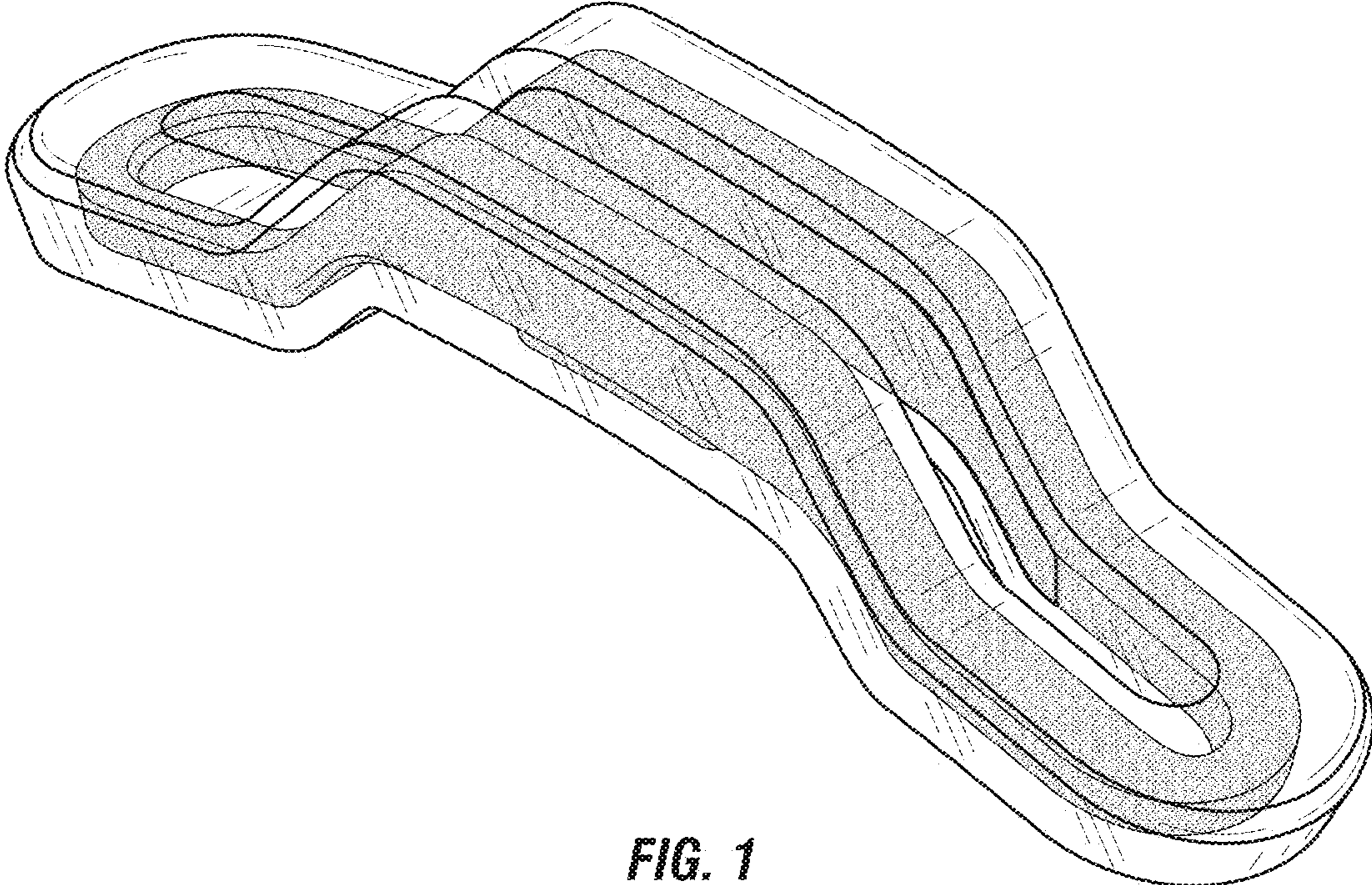


FIG. 1

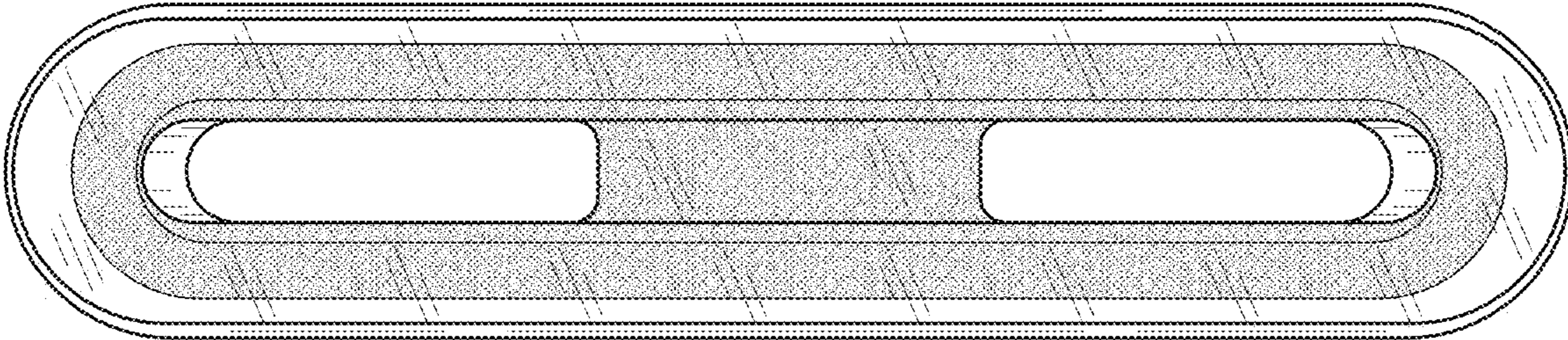


FIG. 2

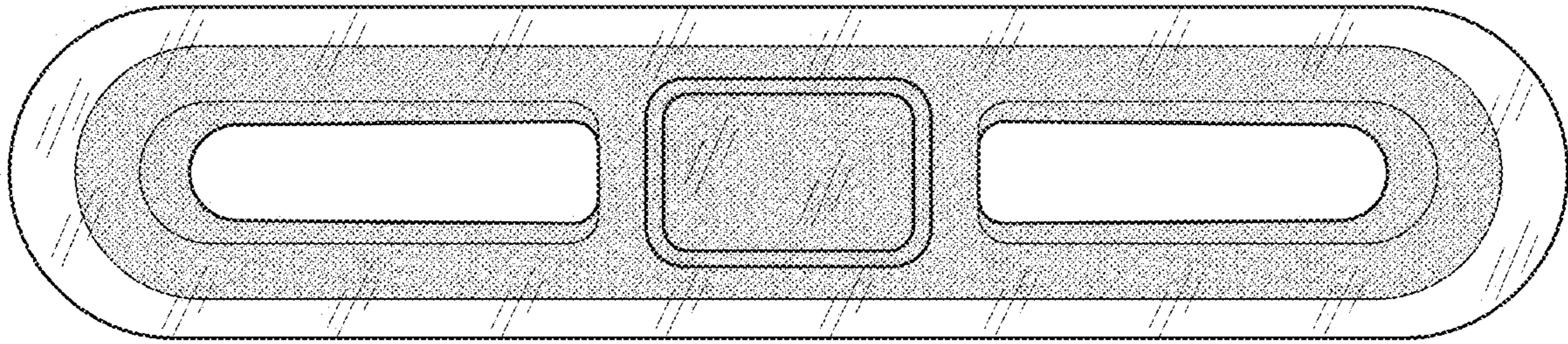


FIG. 3

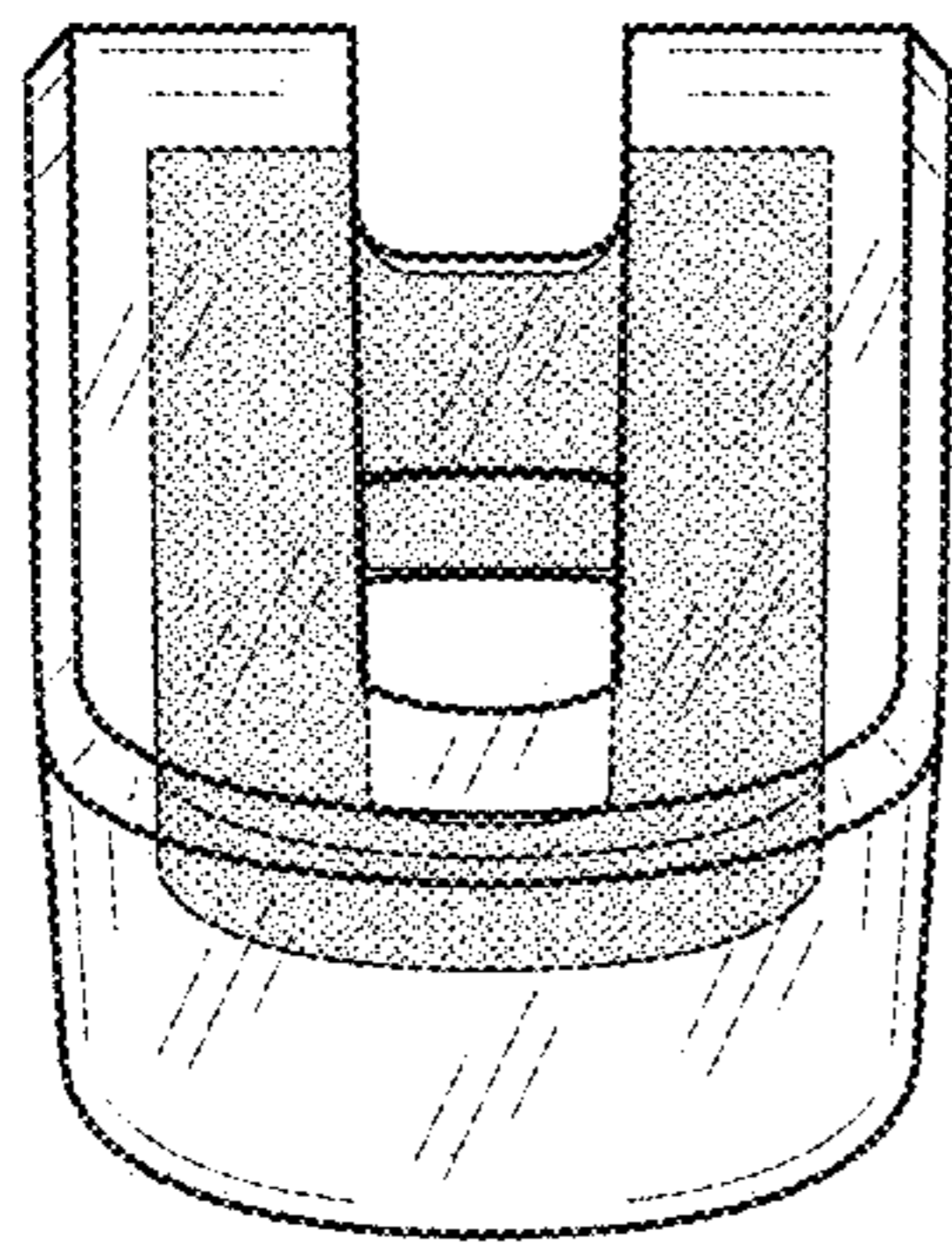


FIG. 4

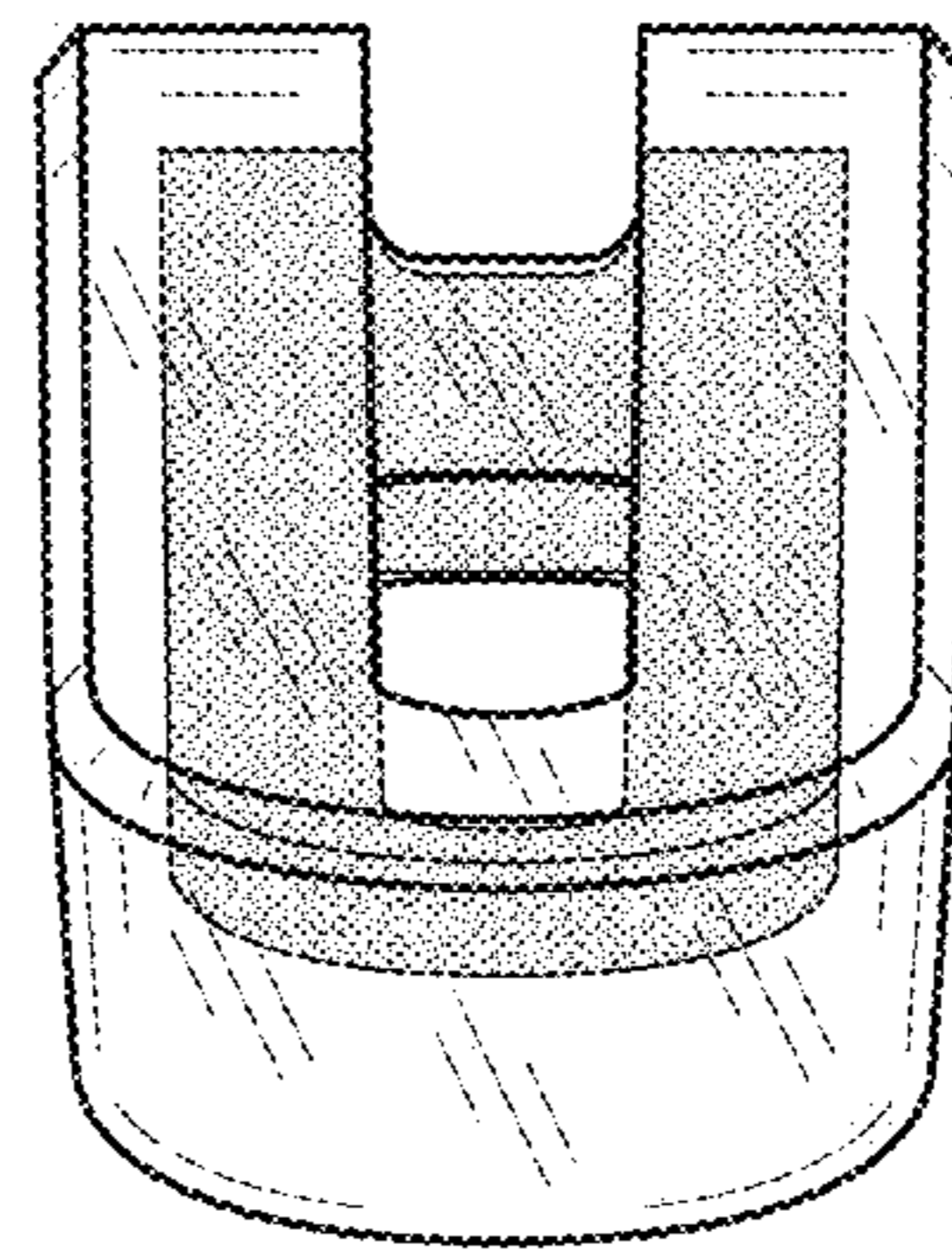


FIG. 5

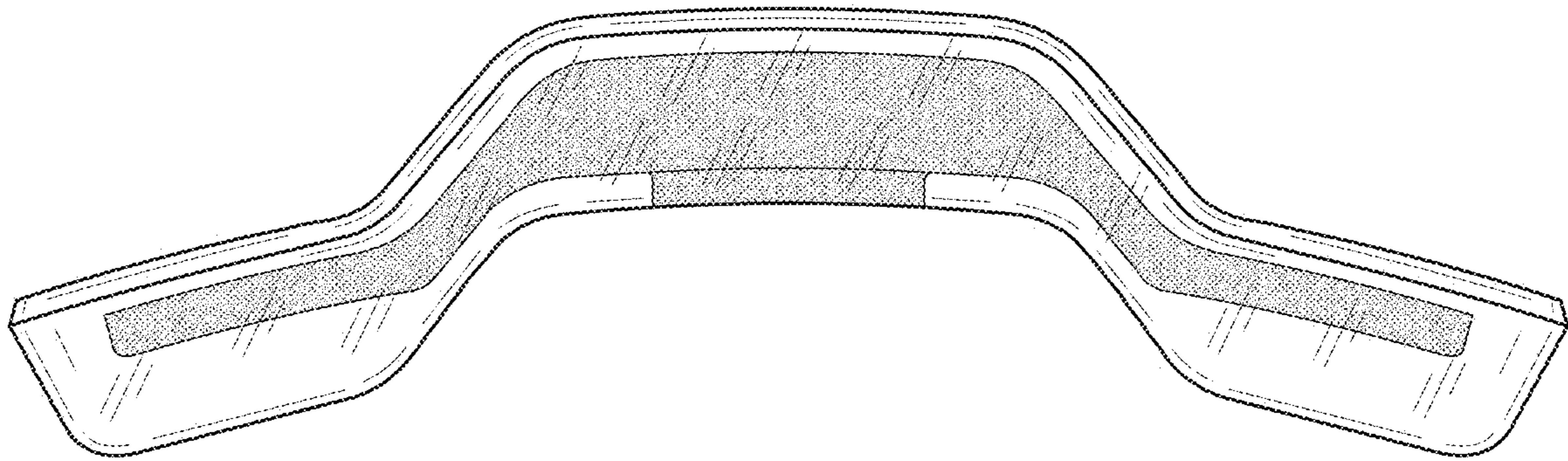


FIG. 6

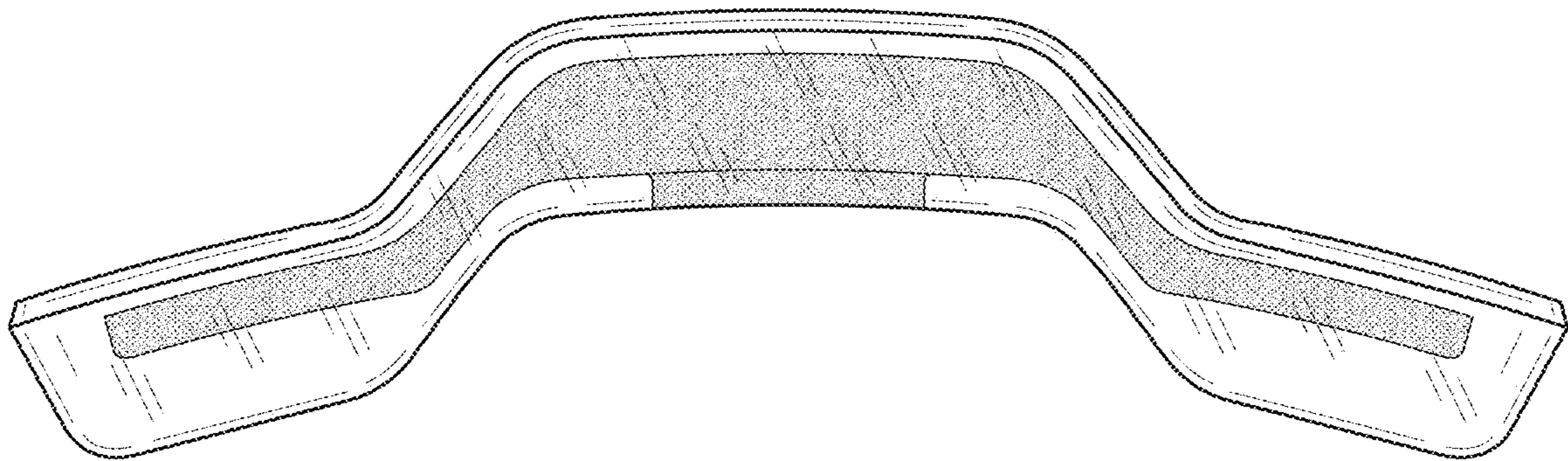


FIG. 7

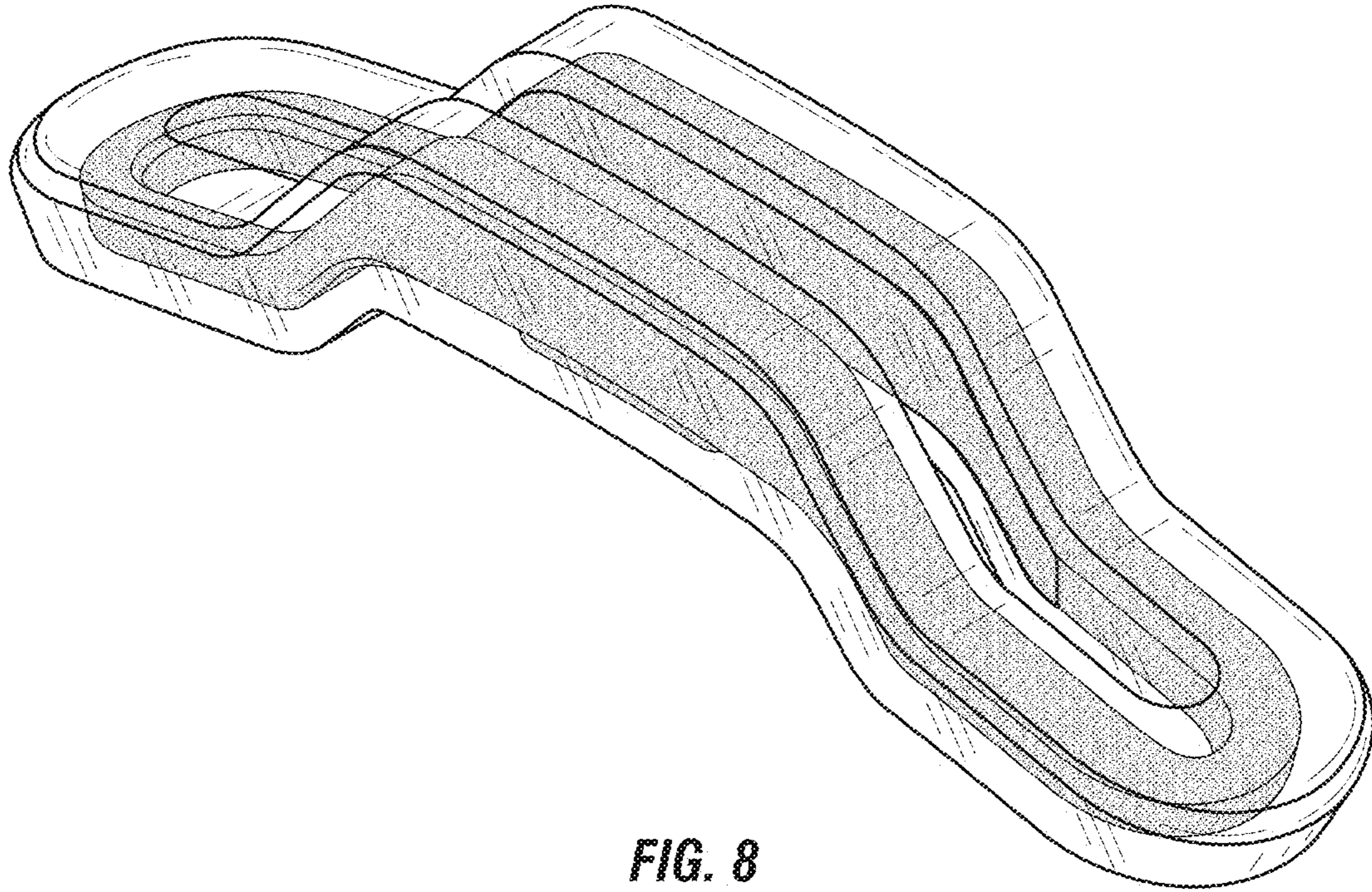


FIG. 8

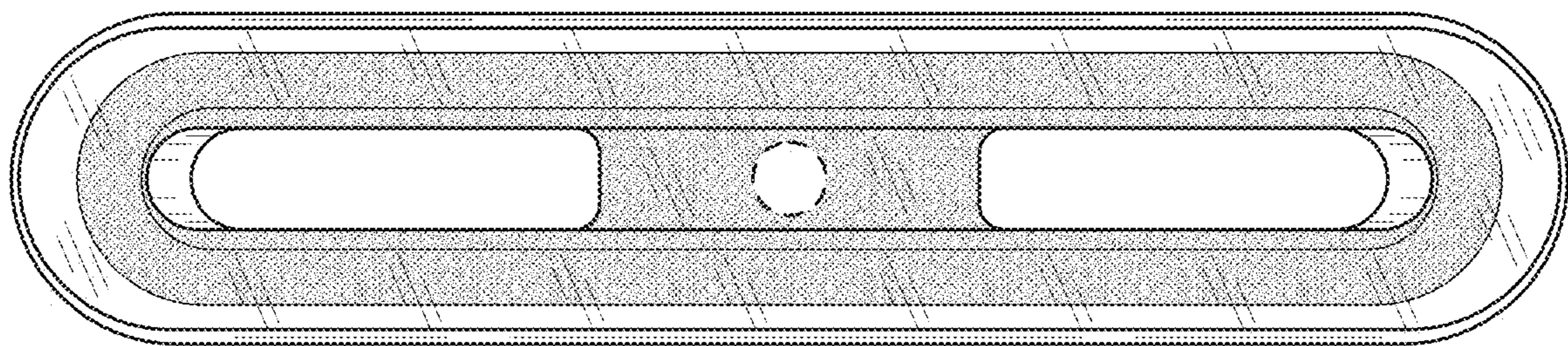


FIG. 9

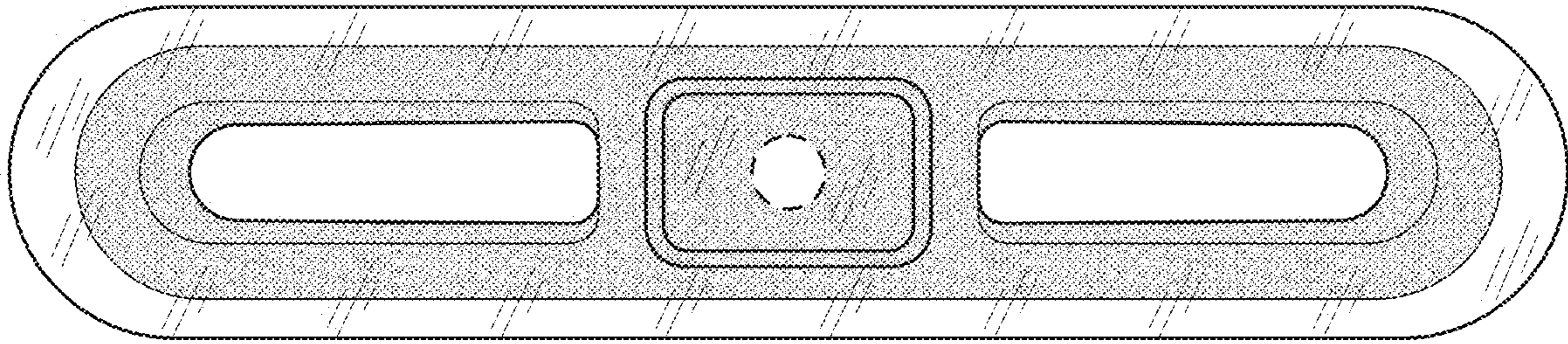


FIG. 10

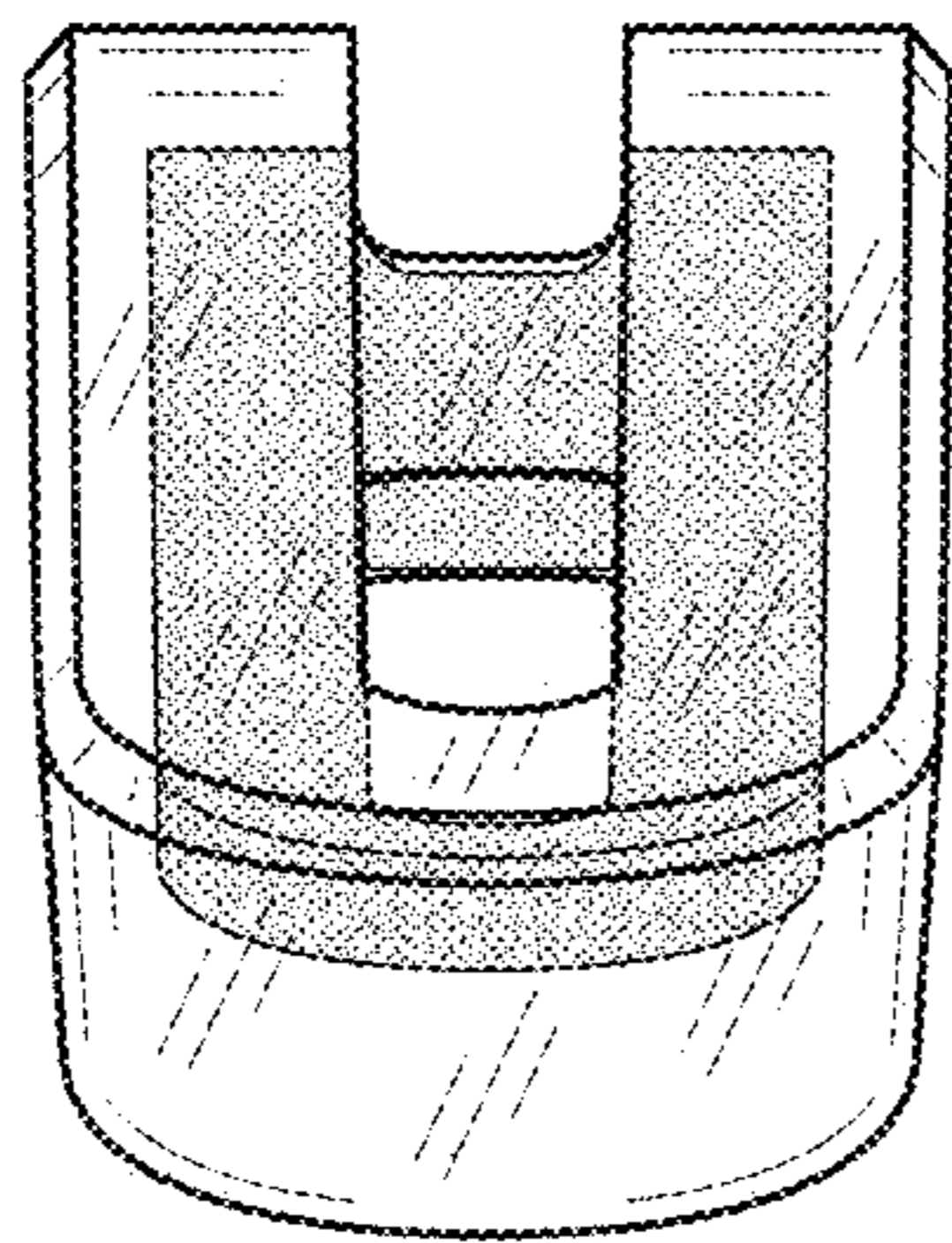


FIG. 11

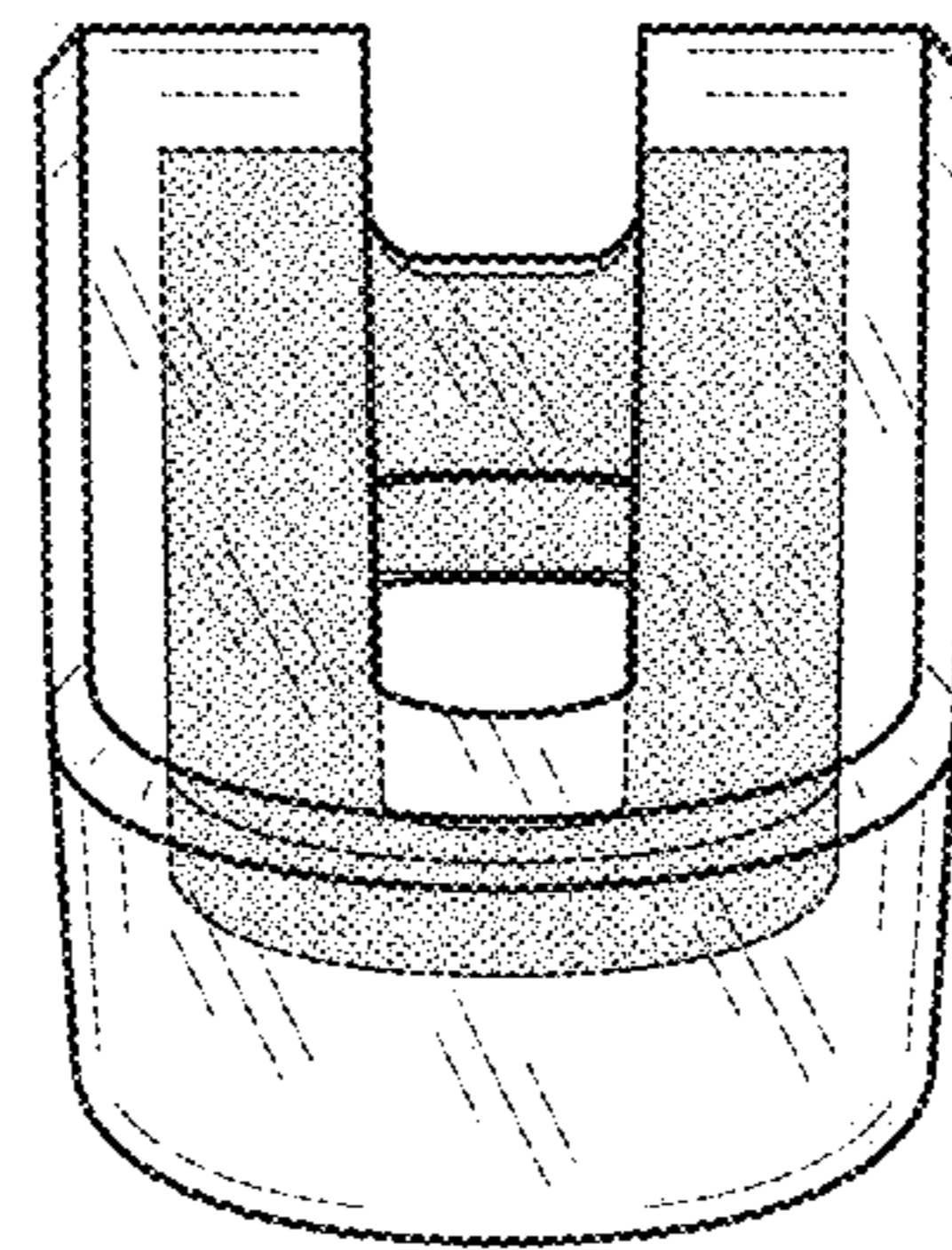


FIG. 12

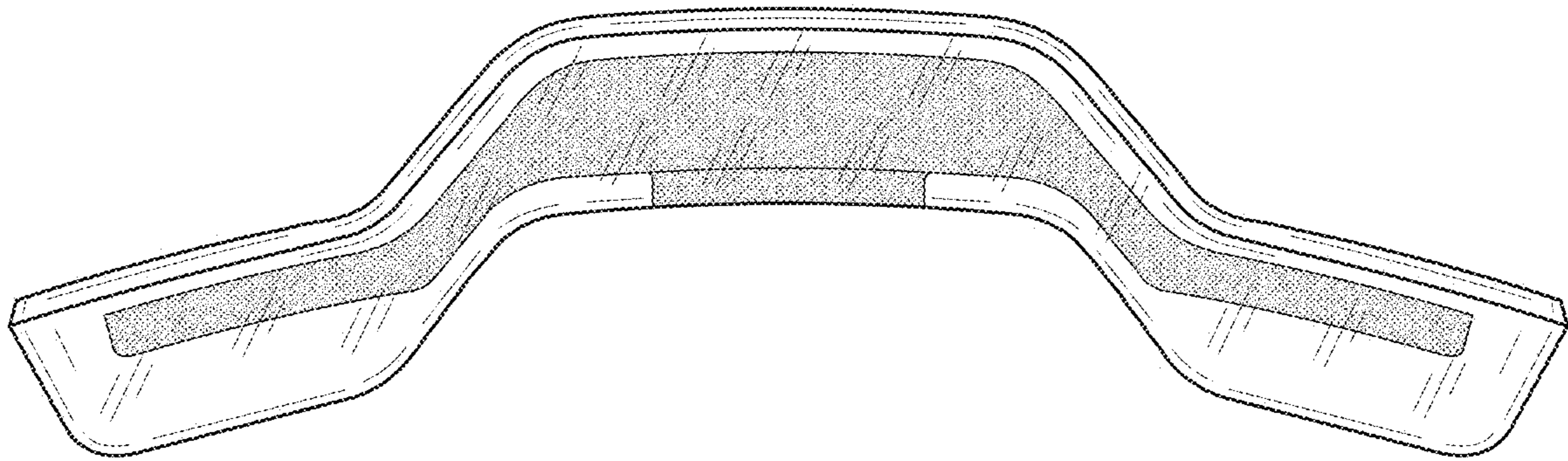


FIG. 13

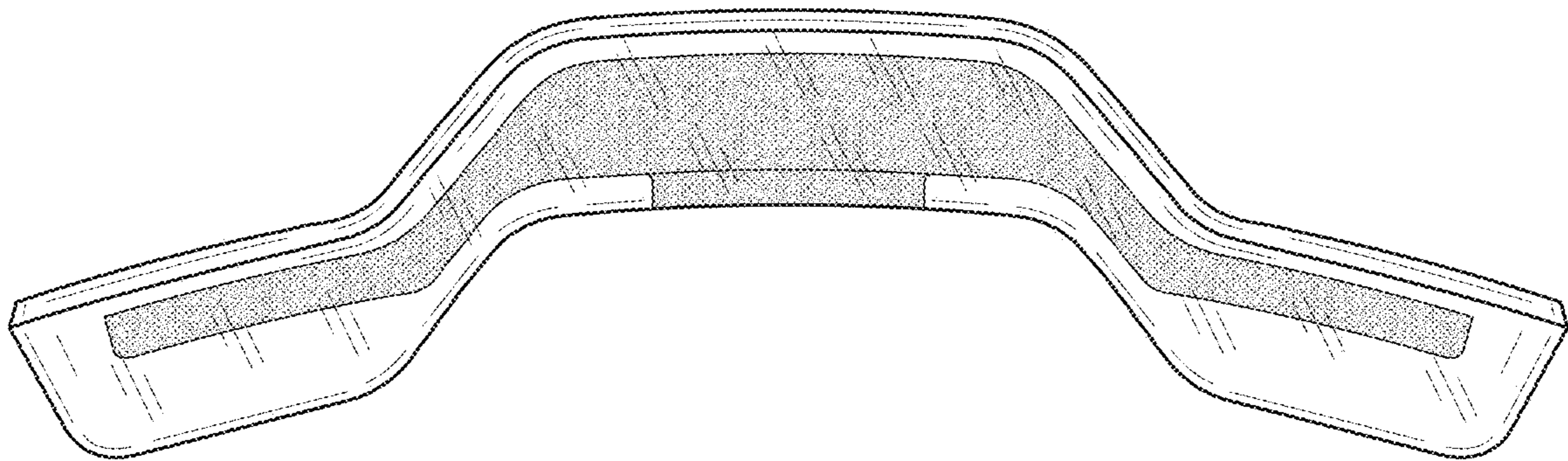


FIG. 14

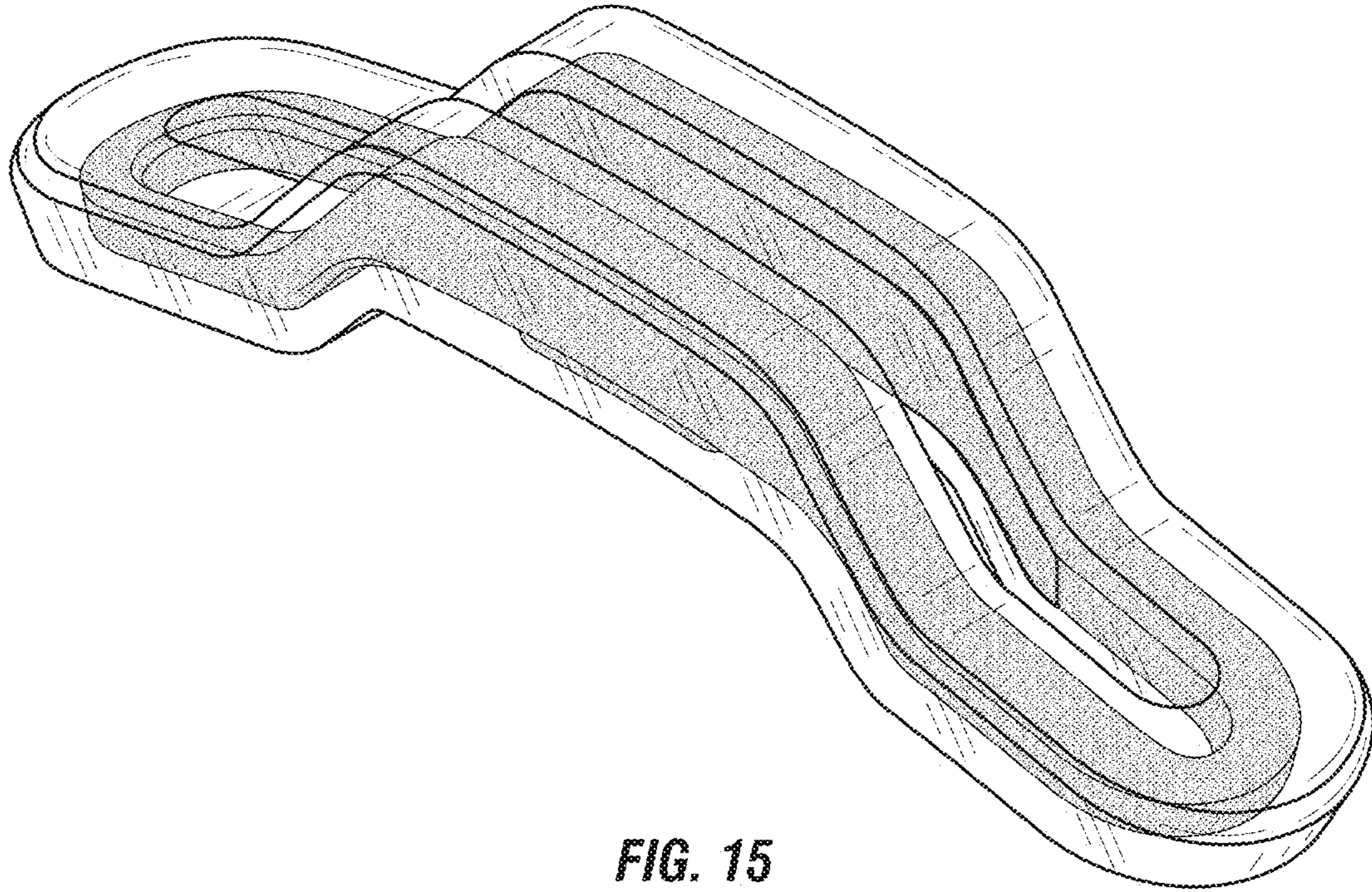


FIG. 15

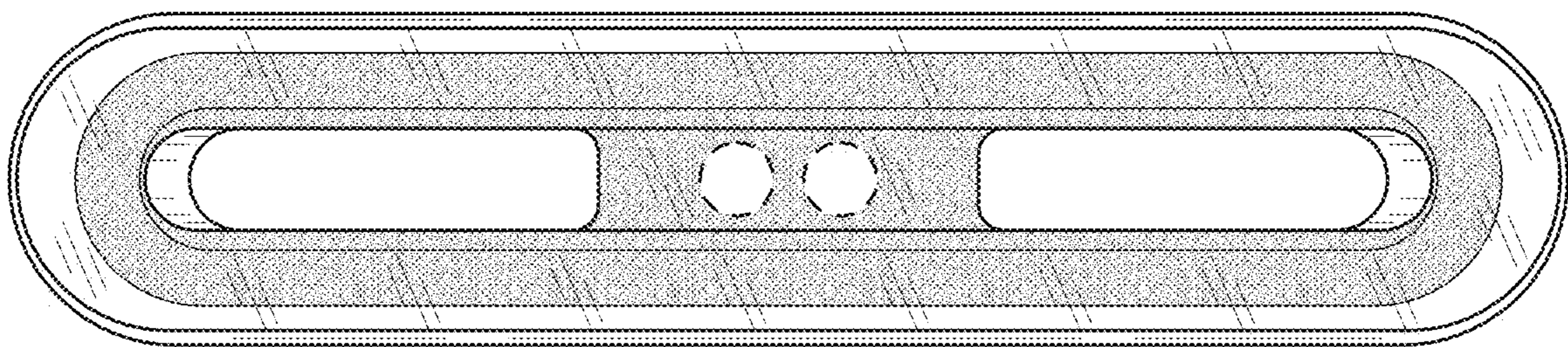


FIG. 16

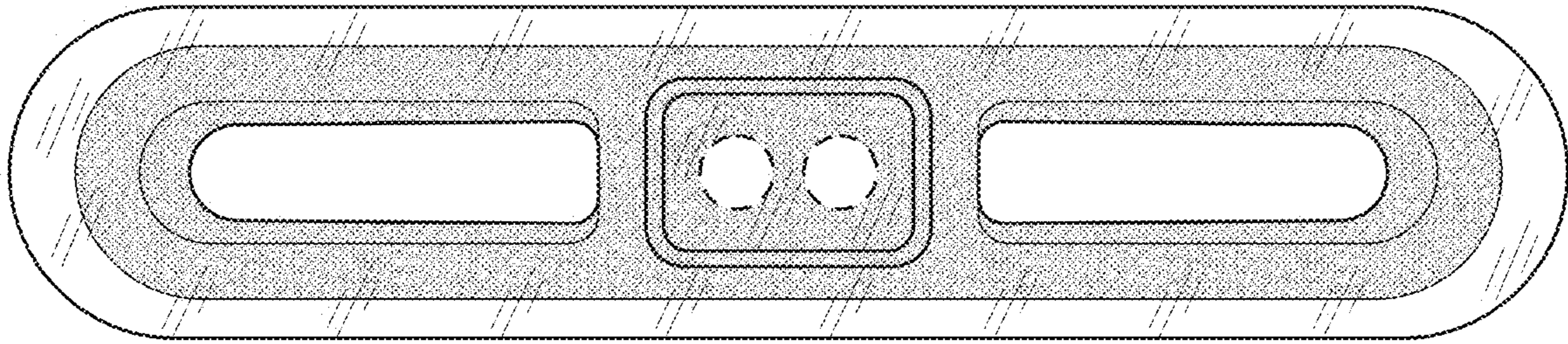


FIG. 17

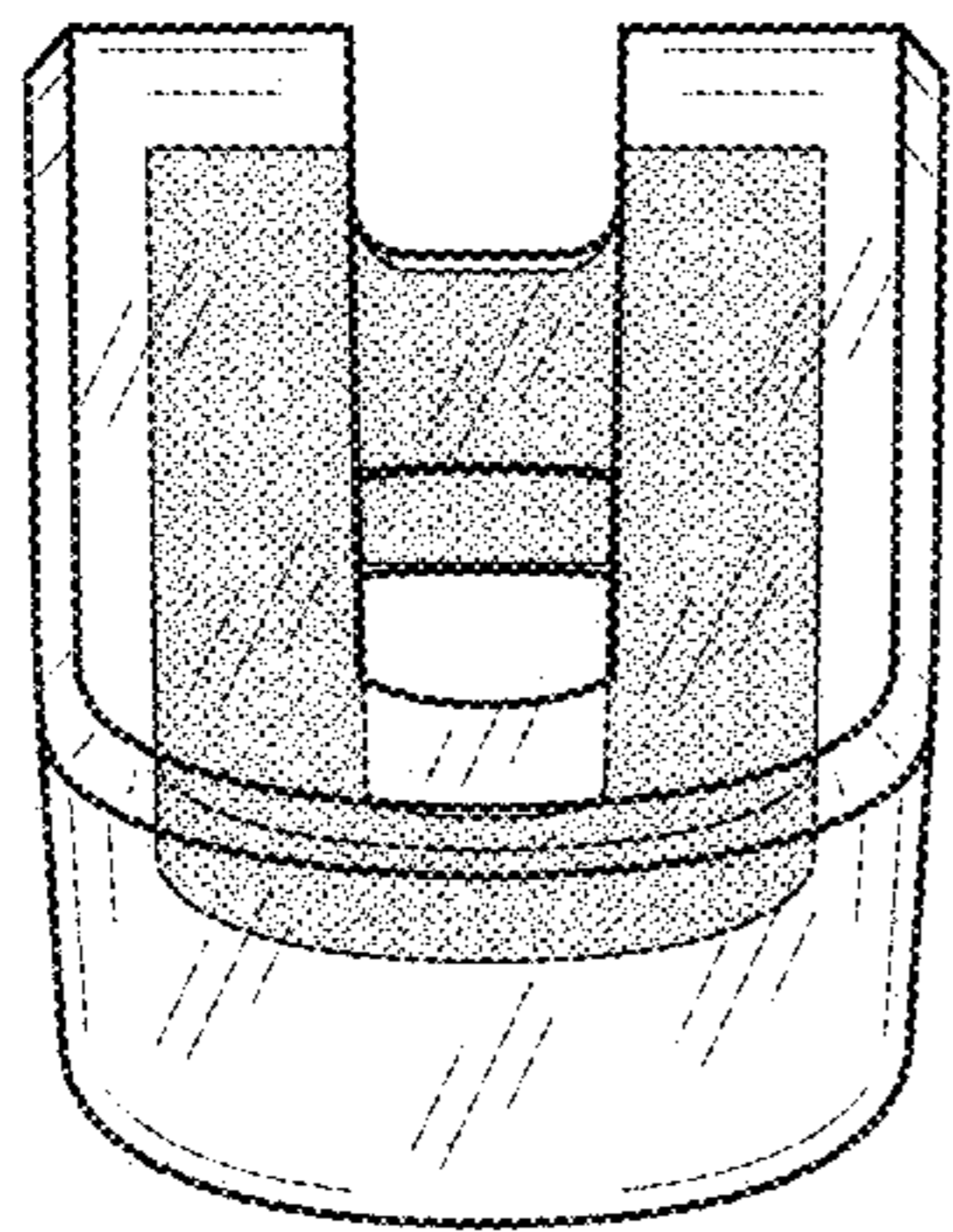


FIG. 18

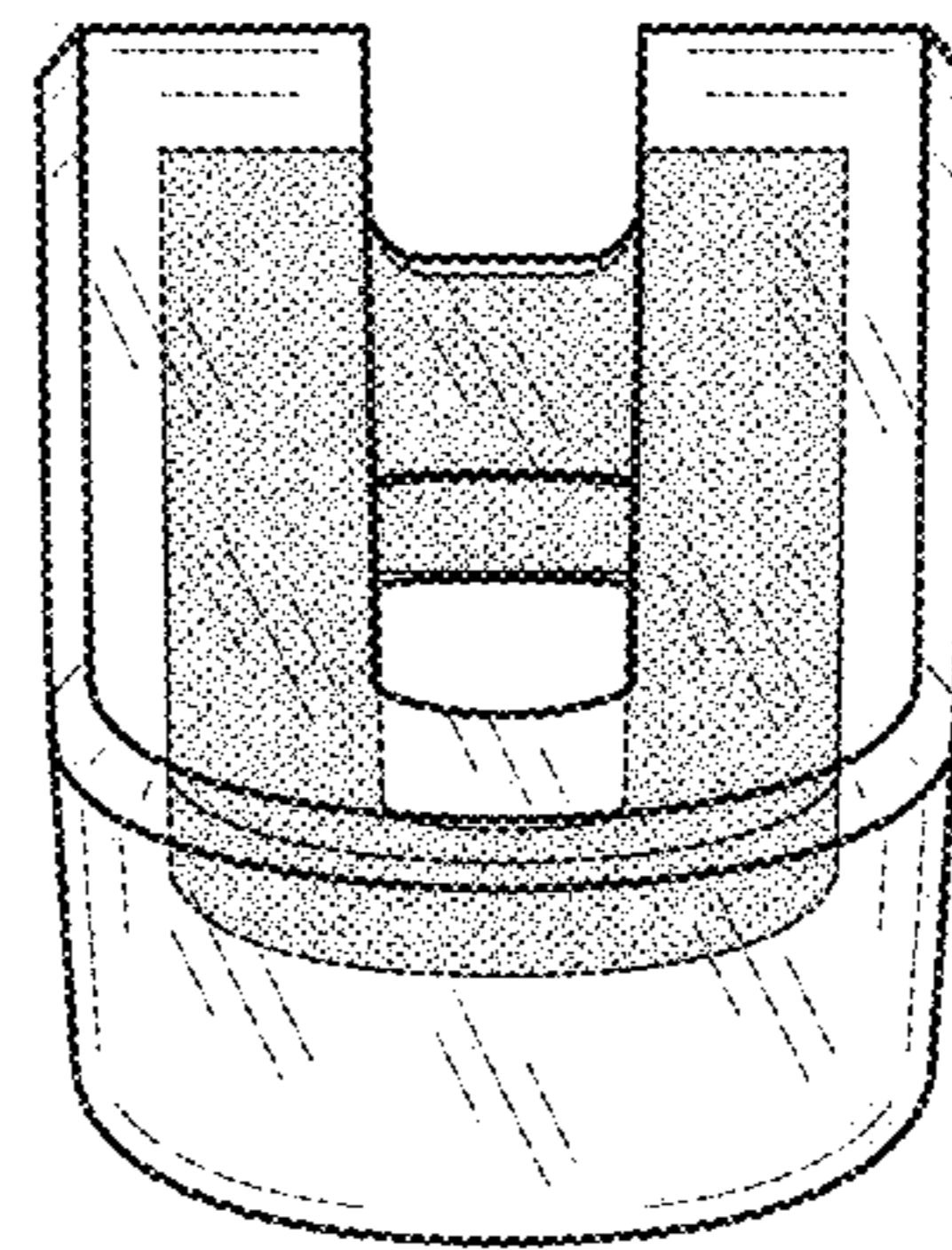


FIG. 19

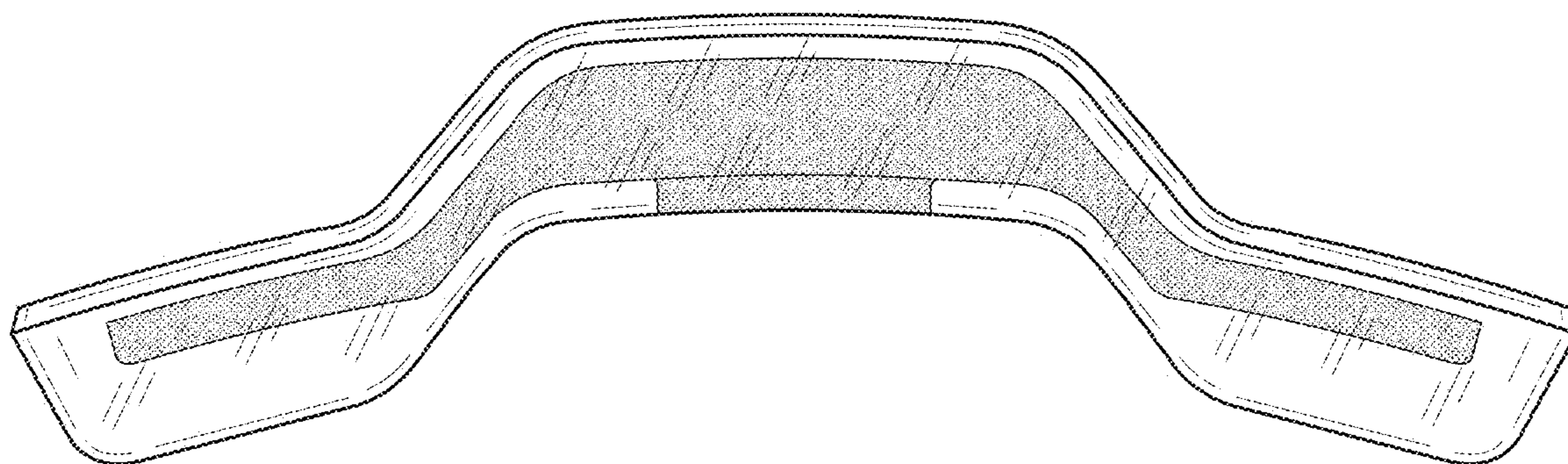


FIG. 20

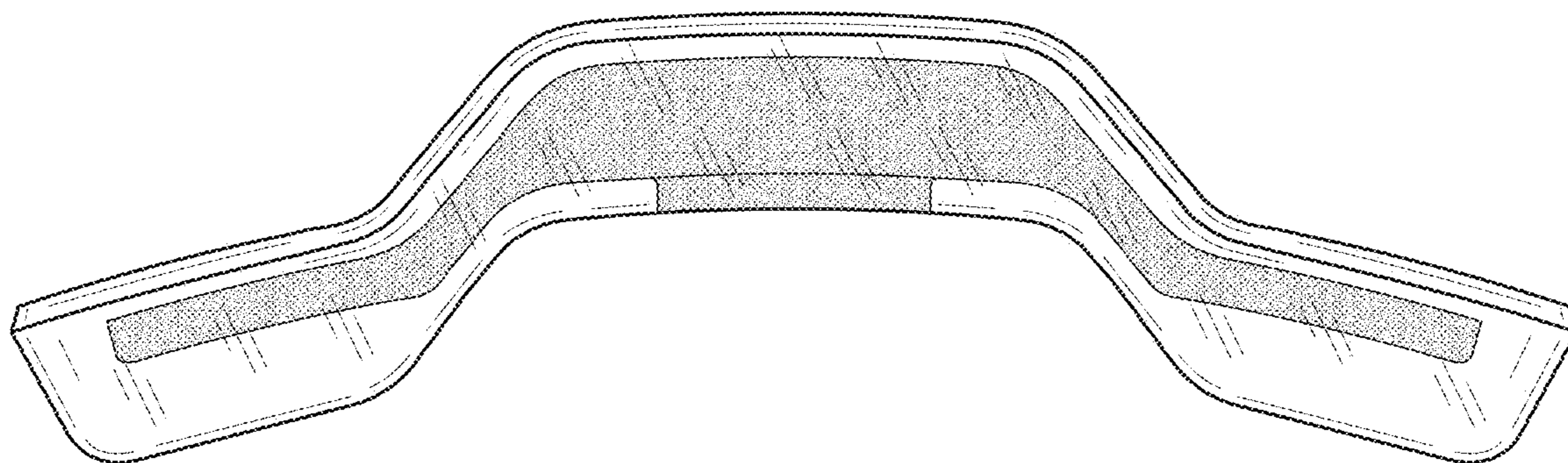


FIG. 21