



US00D884170S

(12) **United States Design Patent**
Solingen et al.

(10) **Patent No.:** **US D884,170 S**
(45) **Date of Patent:** **** May 12, 2020**

(54) **CLAMP FOR LAPAROSCOPIC SLEEVE GASTRECTOMY**

(71) Applicant: **KARL STORZ SE & Co KG,**
Tuttlingen (DE)

(72) Inventors: **Simon Solingen,** Los Angeles, CA (US); **Namir Katkhouda,** Pasadena, CA (US)

(73) Assignee: **KARL STORZ SE & Co. KG,**
Tuttlingen (DE)

(**) Term: **15 Years**

(21) Appl. No.: **29/642,994**

(22) Filed: **Apr. 3, 2018**

(51) **LOC (12) Cl.** **24-02**

(52) **U.S. Cl.**
USPC **D24/143**

(58) **Field of Classification Search**
USPC D24/143, 147-148, 133; D8/72;
606/206, 51-52, 157, 324, 205
CPC A61B 17/122; A61B 17/08; A61B 17/29;
A61B 17/1285
See application file for complete search history.

(56) **References Cited**

U.S. PATENT DOCUMENTS

D267,509 S * 1/1983 Wannag 294/99.2
D351,653 S * 10/1994 Koros D24/143
5,776,147 A * 7/1998 Dolendo A61B 17/122
606/142

6,616,683 B1 * 9/2003 Toth A61B 17/29
606/205
6,723,109 B2 * 4/2004 Solingen A61B 17/122
606/142
8,361,108 B2 * 1/2013 Gold A61B 17/122
606/206
D713,959 S * 9/2014 Wiedenbein D24/143
9,011,434 B2 * 4/2015 Kappel A61B 17/29
606/46
9,023,079 B2 * 5/2015 Boulnois A61B 17/29
606/205
D762,302 S * 7/2016 Dunn D24/133
D836,197 S * 12/2018 Cormio D24/143

* cited by examiner

Primary Examiner — Wan Laymon

(74) *Attorney, Agent, or Firm* — Michael Joseph Loi;
David N. Villalpando

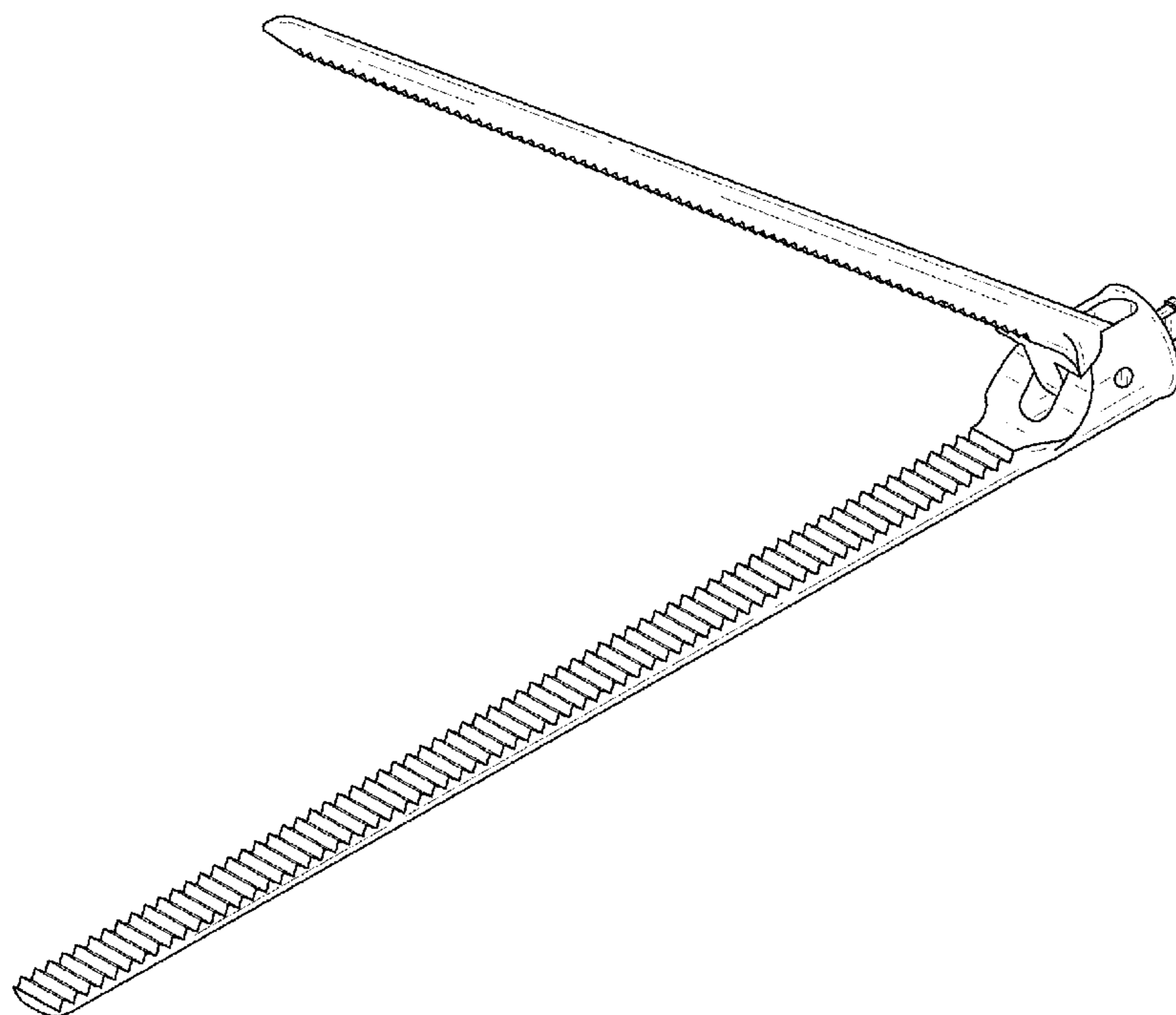
(57) **CLAIM**

The ornamental design for a clamp for laparoscopic sleeve gastrectomy, as shown and described.

DESCRIPTION

FIG. 1 is a front perspective view of a clamp for laparoscopic sleeve gastrectomy in accordance with the new design;
FIG. 2 is a front view thereof;
FIG. 3 is a rear view thereof;
FIG. 4 is a left side view thereof;
FIG. 5 is a right side view thereof;
FIG. 6 is a top view thereof; and,
FIG. 7 is a bottom view thereof.

1 Claim, 7 Drawing Sheets



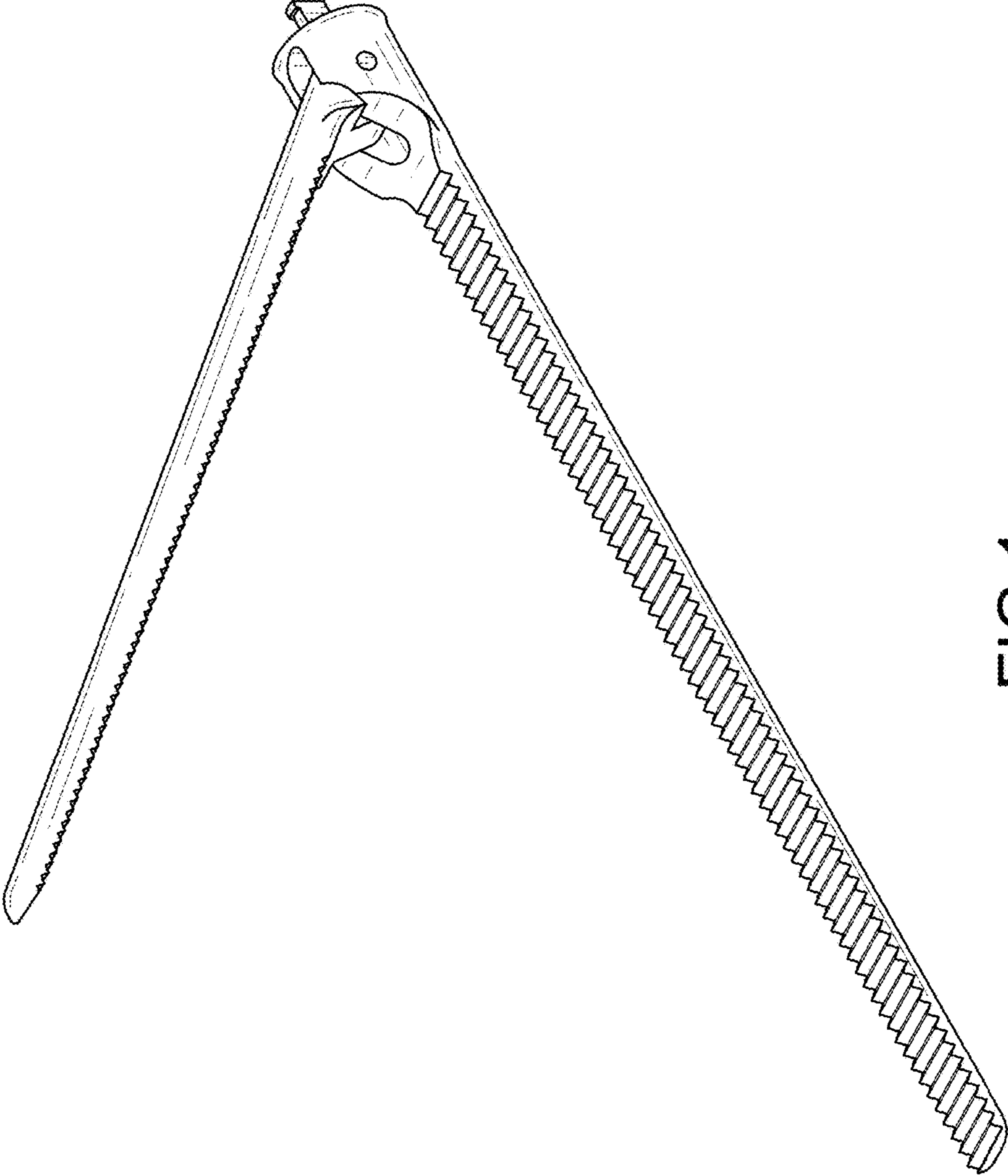


FIG.1

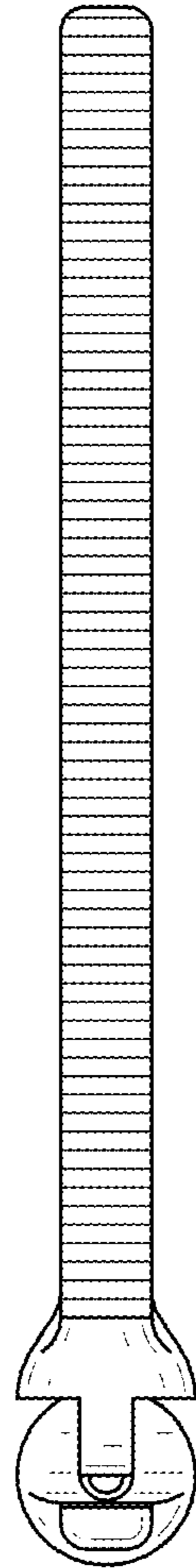


FIG.2

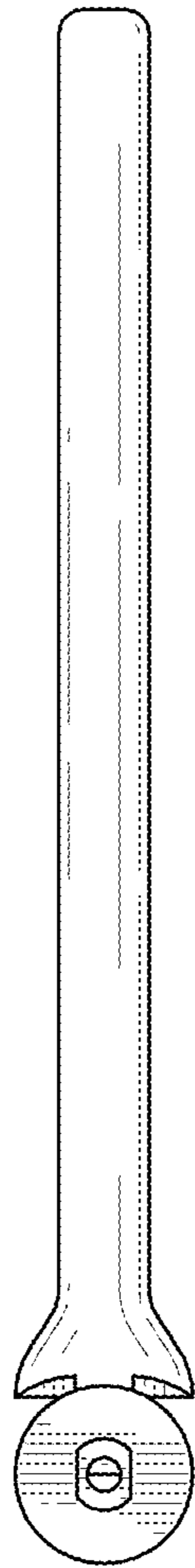


FIG.3

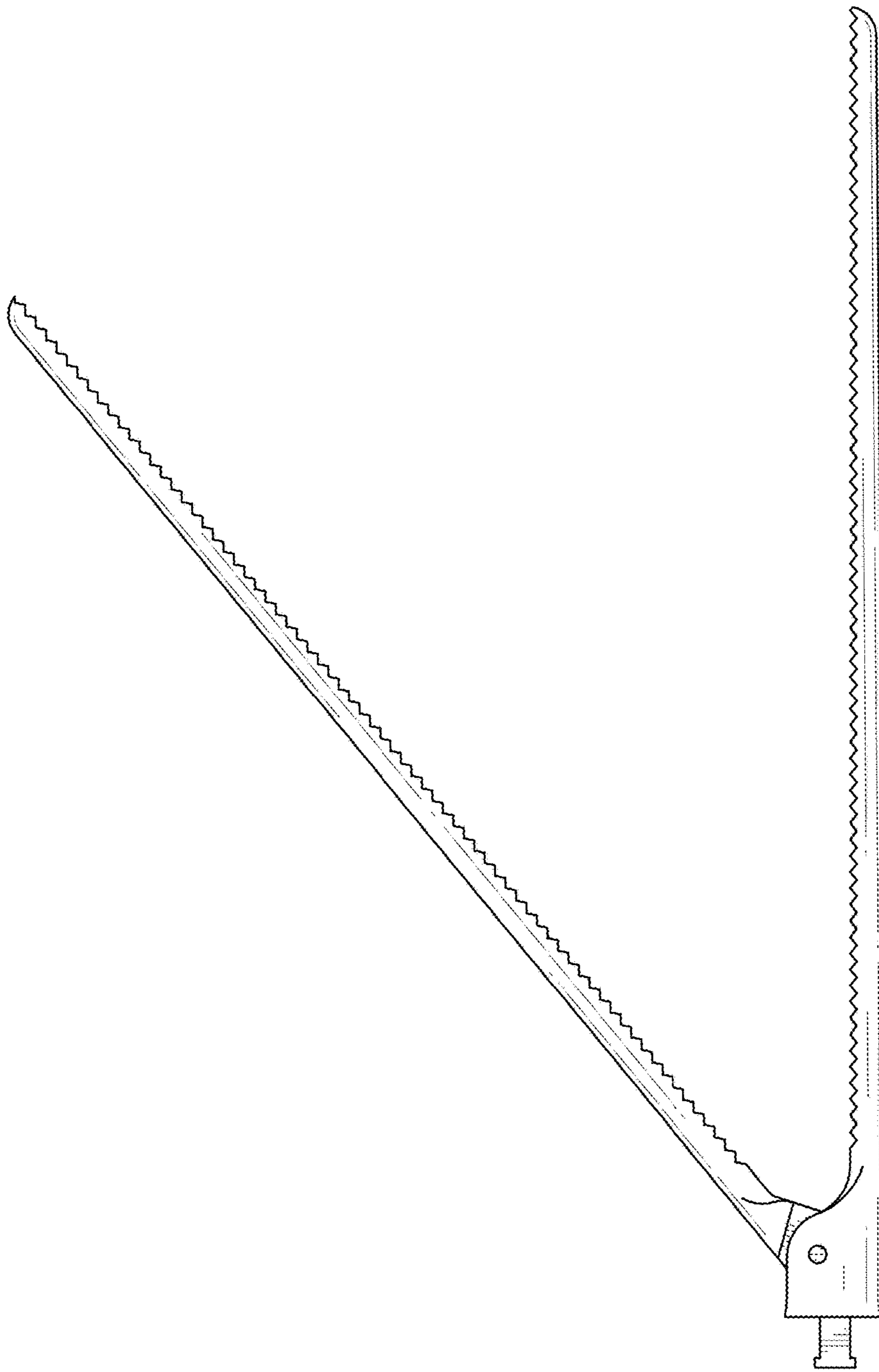


FIG.4

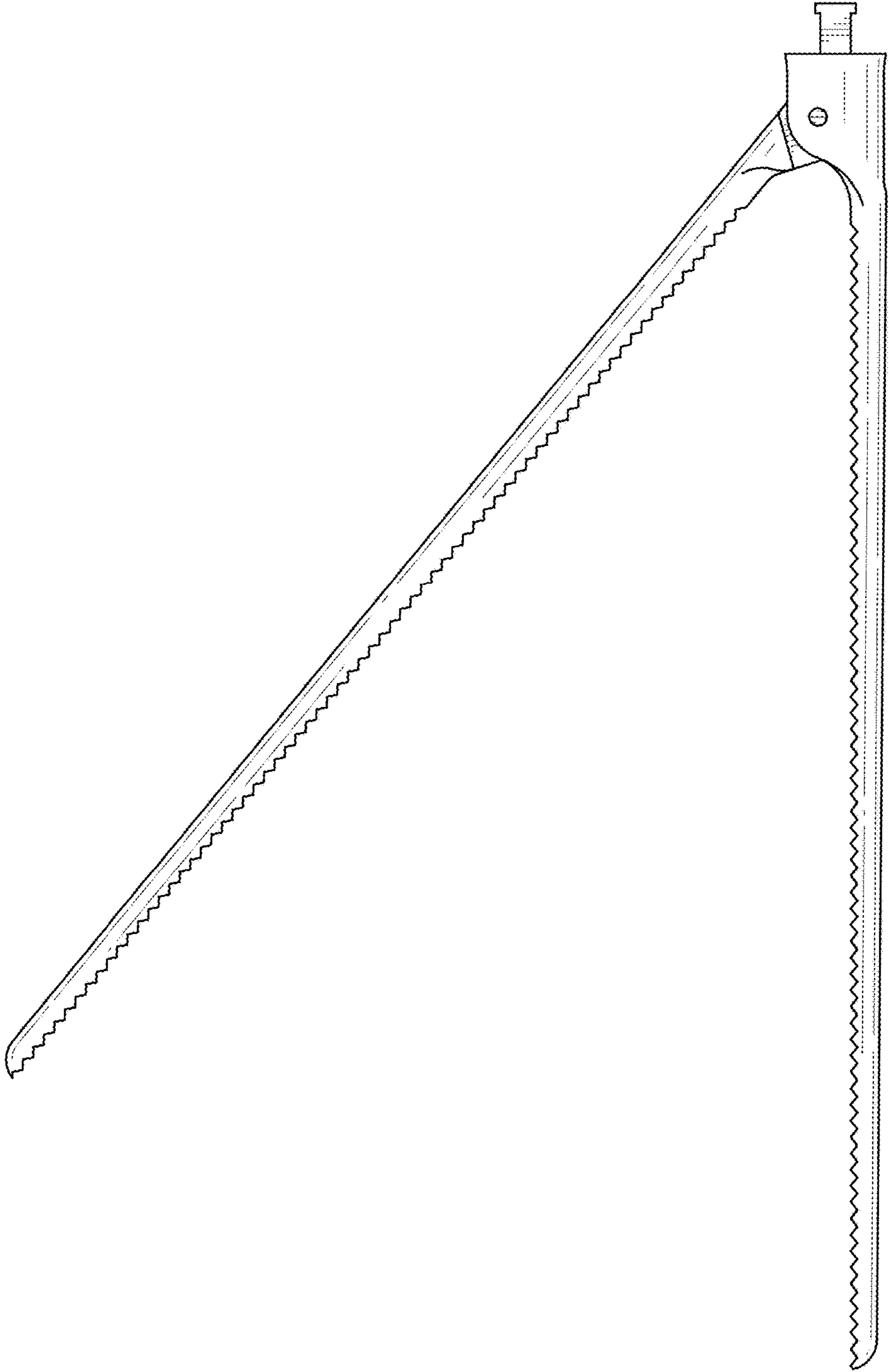


FIG.5

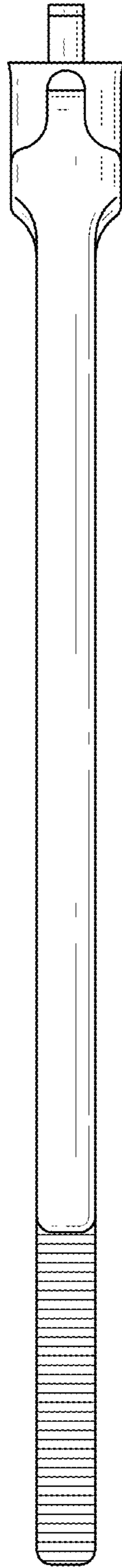


FIG.6

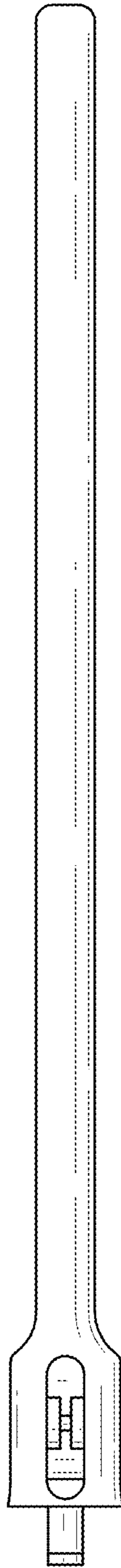


FIG.7