



US00D884169S

(12) **United States Design Patent**
Hartson et al.

(10) **Patent No.:** **US D884,169 S**

(45) **Date of Patent:** **** May 12, 2020**

(54) **CLAMP**

(71) Applicant: **PARAGON 28, INC.**, Englewood, CO (US)

(72) Inventors: **Kyle James Hartson**, Denver, CO (US); **Gregory Charles Berlet**, Westerville, OH (US); **Christopher F. Hyer**, Columbus, OH (US); **Terrence Michael Philbin**, Dublin, OH (US); **Laura Z. Brinker**, Denver, CO (US)

(73) Assignee: **Paragon 28, INC.**, Englewood, CO (US)

(**) Term: **15 Years**

(21) Appl. No.: **29/634,151**

(22) Filed: **Jan. 18, 2018**

(51) **LOC (12) Cl.** **24-02**

(52) **U.S. Cl.**
USPC **D24/143; D24/135**

(58) **Field of Classification Search**
USPC D24/143, 147-148, 133, 135, 127; 600/201, 210, 216-218; 606/205-206
CPC . A61B 17/0206; A61B 17/2018; A61B 17/02; A61B 17/2804; A61B 17/282; A61B 17/2812

See application file for complete search history.

(56) **References Cited**

U.S. PATENT DOCUMENTS

3,038,467	A *	6/1962	Sovatkin	A61B 17/0206 600/219
D273,326	S *	4/1984	Peterson	D24/143
D319,877	S *	9/1991	O'Neal-Cox	D24/143
D612,494	S *	3/2010	Ott	D24/135
D612,495	S *	3/2010	Ott	D24/135
D642,679	S *	8/2011	Raven, III	D24/135

2005/0027170	A1 *	2/2005	Nohara	A61B 17/0206 600/219
2005/0215864	A1 *	9/2005	Jang	A61B 17/0206 600/217
2009/0203967	A1 *	8/2009	Branch	A61B 17/0206 600/210
2010/0022845	A1 *	1/2010	Ott	A61B 17/0206 600/215
2010/0317928	A1 *	12/2010	Subramaniam	A61B 17/0206 600/245
2012/0296172	A1 *	11/2012	Raven, III	A61B 17/0206 600/231
2017/0007226	A1 *	1/2017	Fehling	A61B 17/02
2018/0103941	A1 *	4/2018	Khan	A61B 17/02

* cited by examiner

Primary Examiner — Wan Laymon

(74) *Attorney, Agent, or Firm* — Heslin Rothenberg Farley & Mesiti P.C.

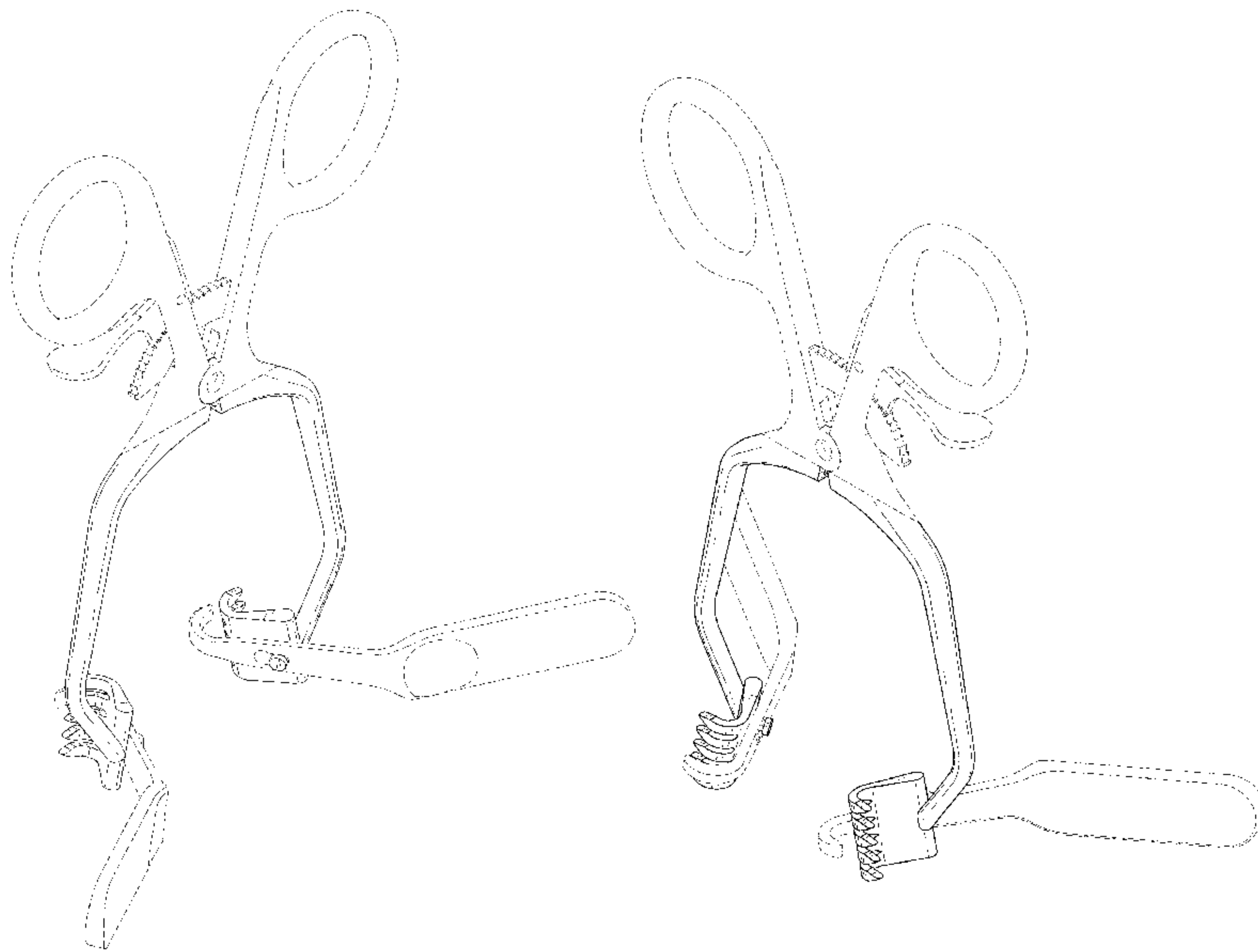
(57) **CLAIM**

The ornamental design for a clamp, as shown and described.

DESCRIPTION

FIG. 1 is a front perspective view of the clamp comprising the new design;
 FIG. 2 is a back perspective view of the design of FIG. 1;
 FIG. 3 is a front elevational view of the design of FIG. 1;
 FIG. 4 is a back elevational view of the design of FIG. 1;
 FIG. 5 is a left side elevational view of the design of FIG. 1;
 FIG. 6 is a right side elevational view of the design of FIG. 1;
 FIG. 7 is a top view of the design of FIG. 1; and,
 FIG. 8 is a bottom view of the design of FIG. 1.
 The broken lines shown in the figures are directed to the environment and are for illustrative purposes only; the broken lines form no part of the claimed clamp invention. The relatively light uneven broken lines shown in the figures represent contour, not surface decoration.

1 Claim, 6 Drawing Sheets



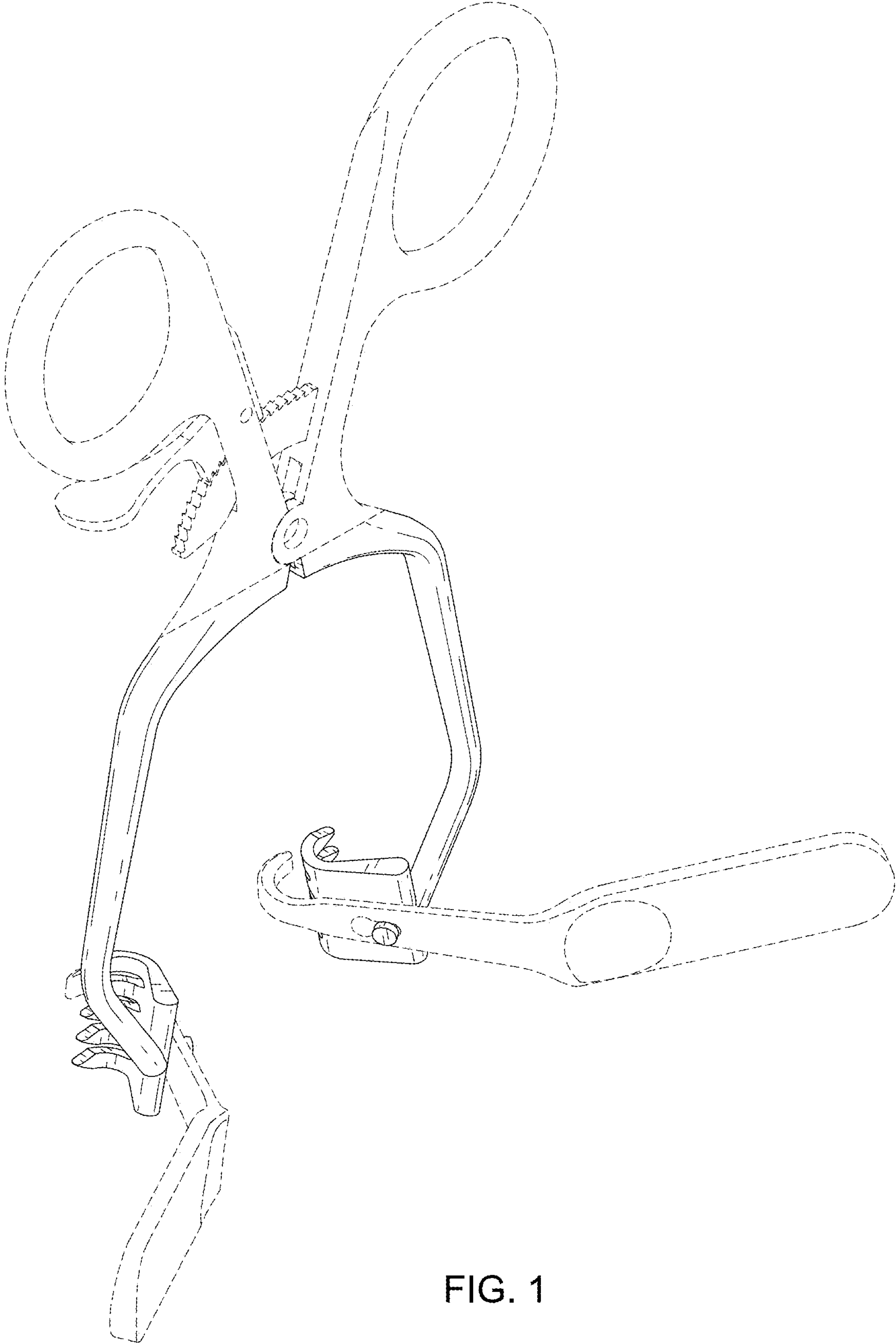


FIG. 1

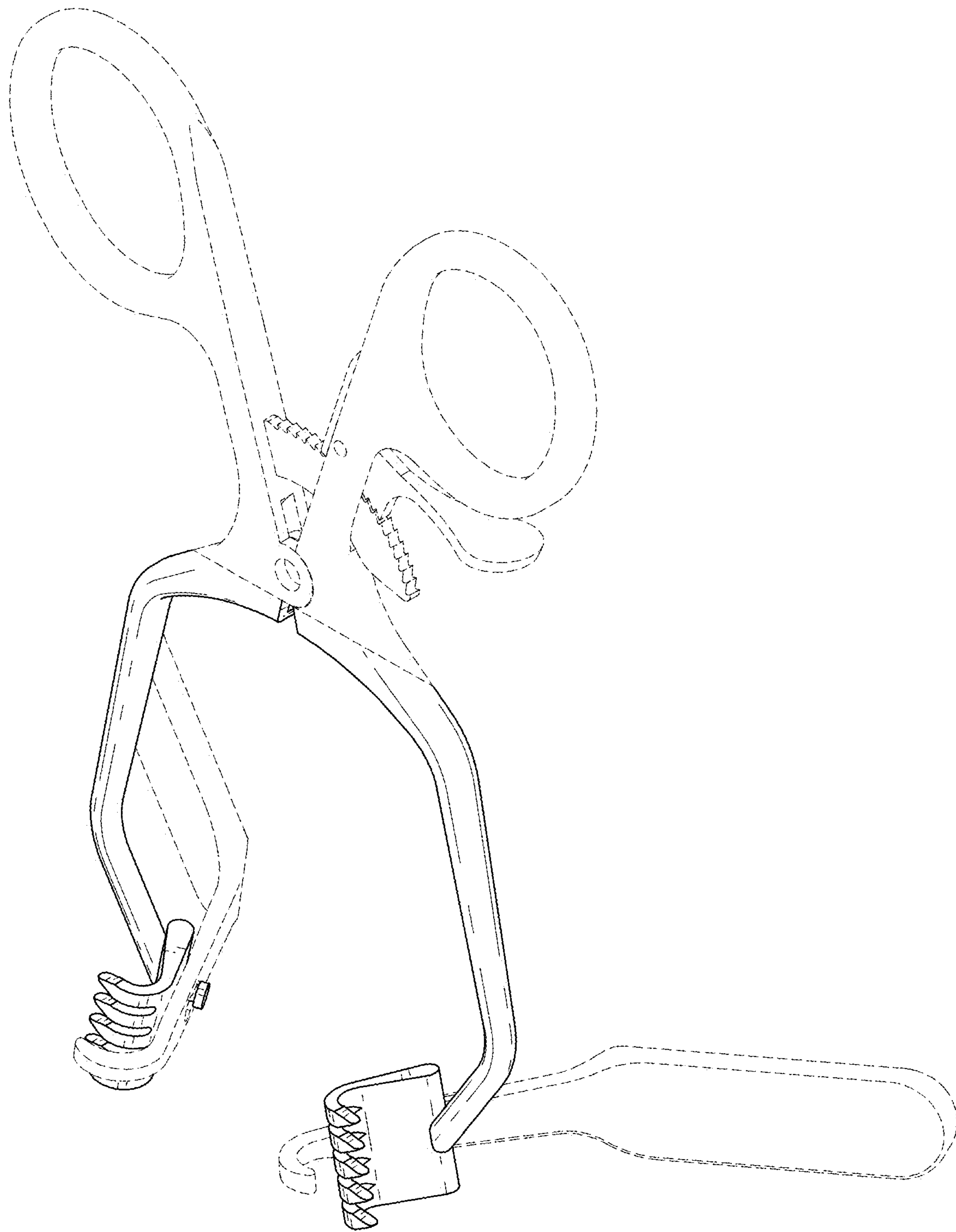


FIG. 2

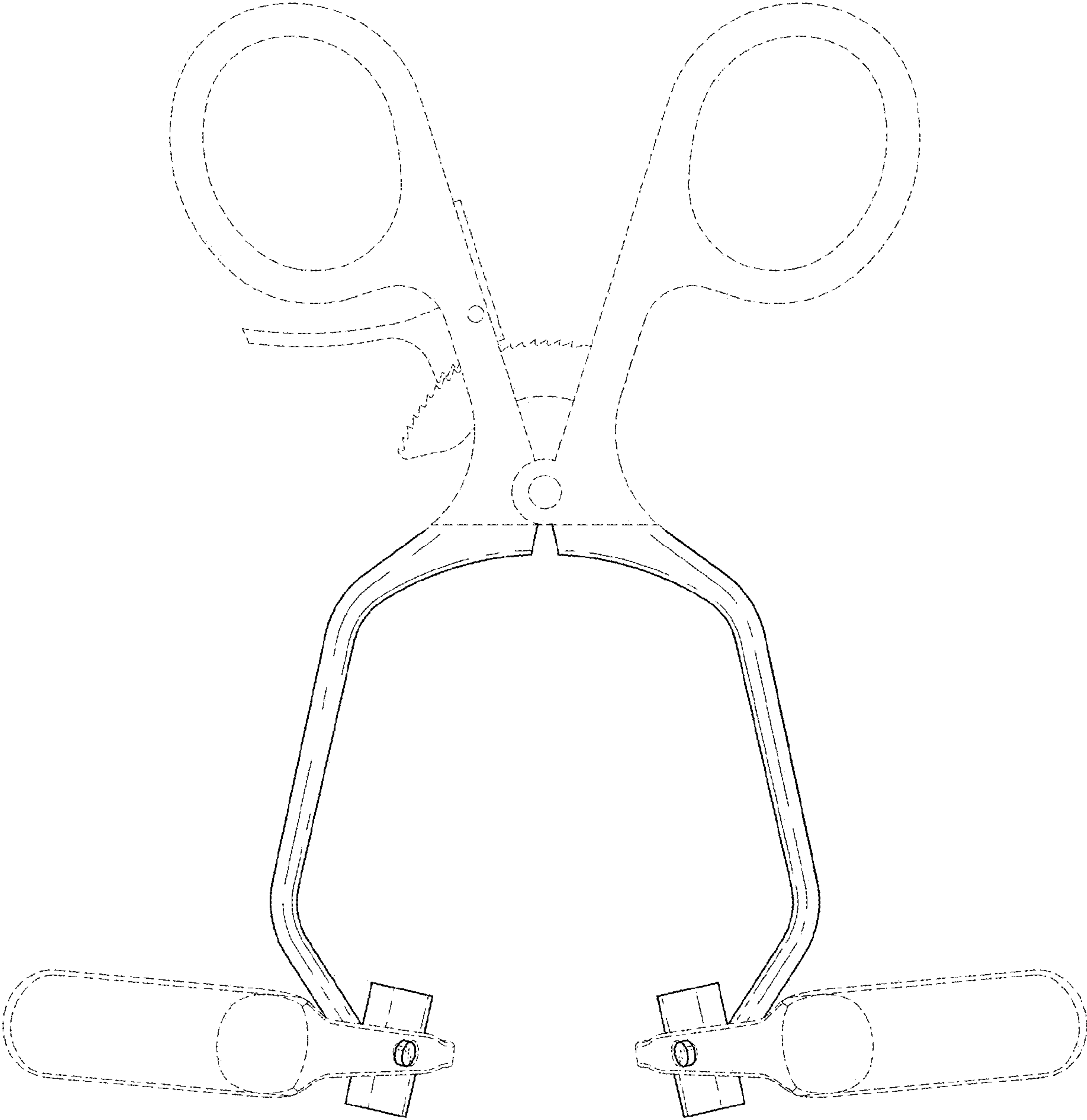


FIG. 3

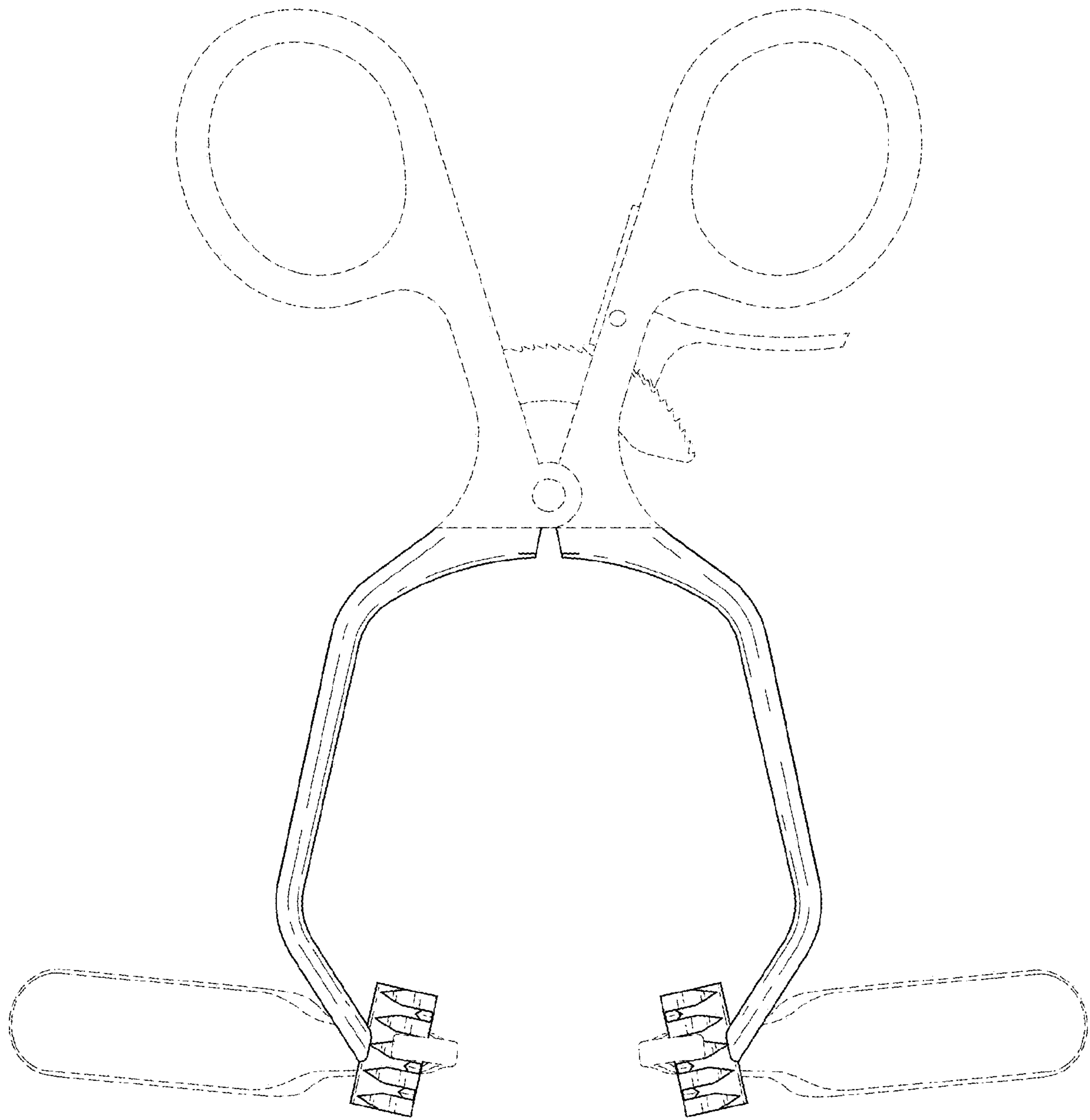


FIG. 4

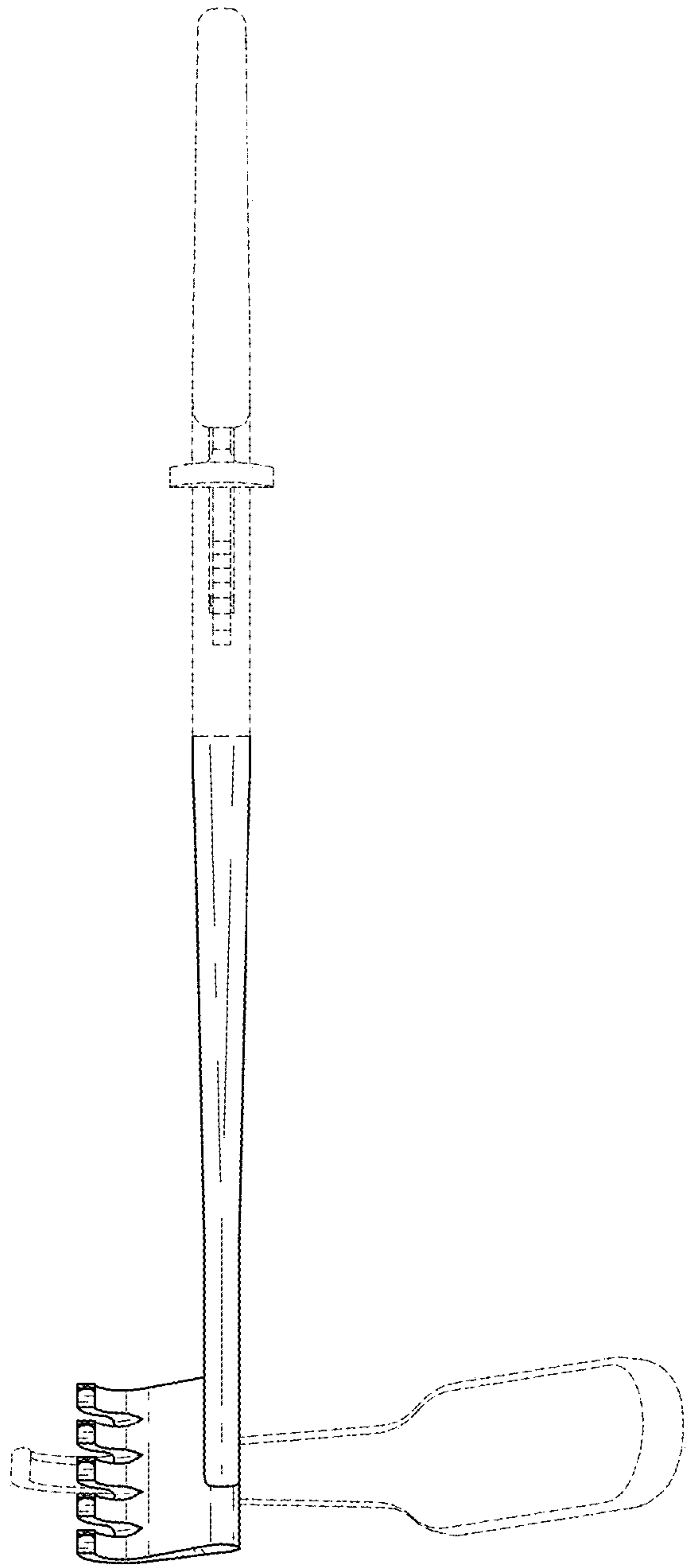


FIG. 5

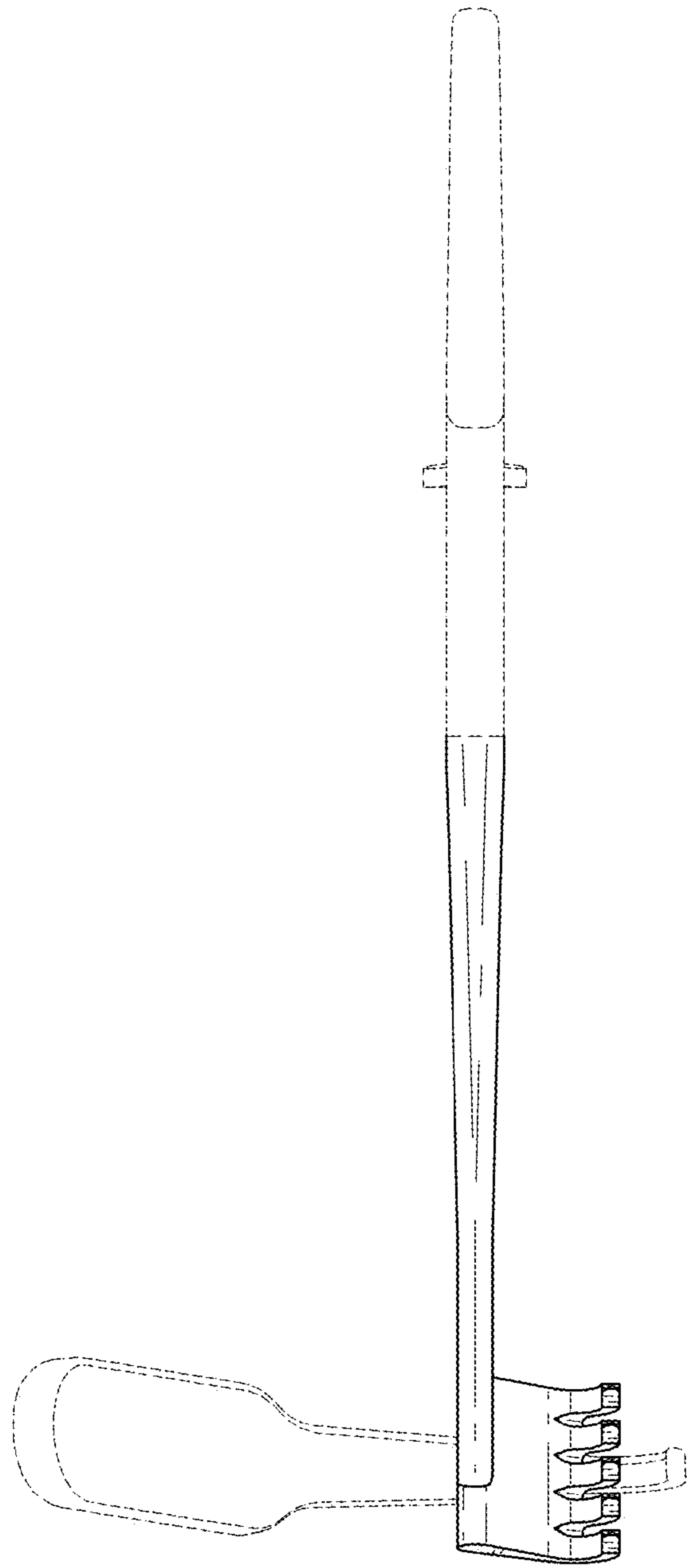


FIG. 6

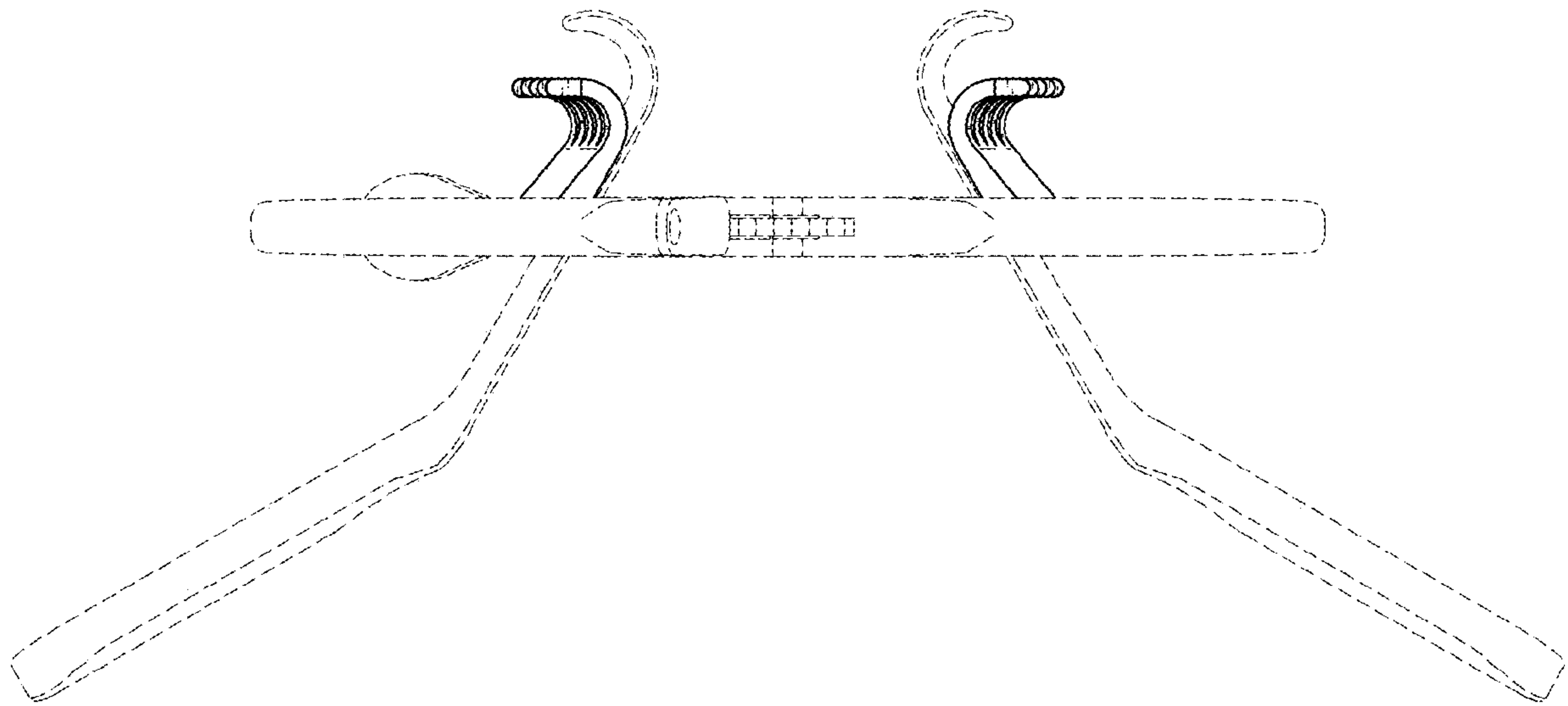


FIG. 7

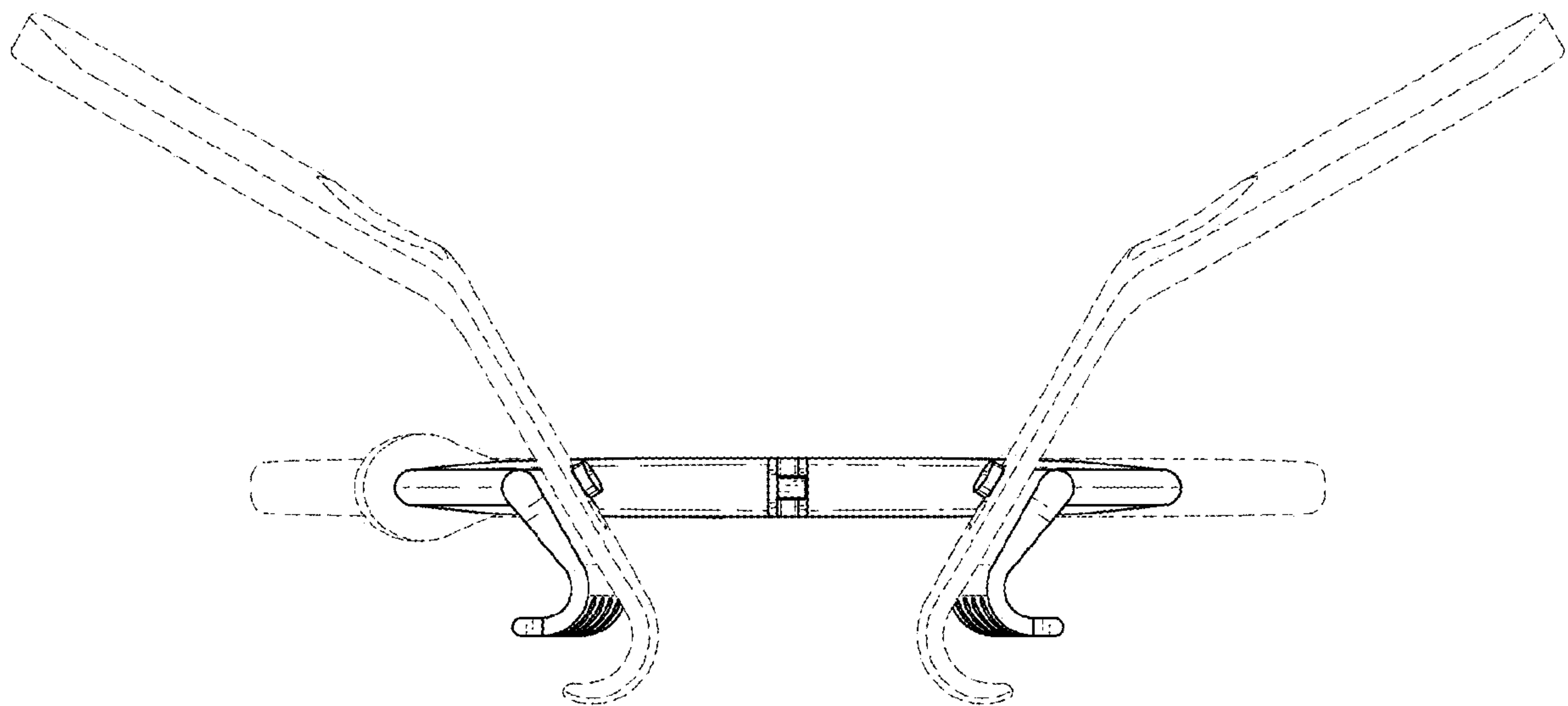


FIG. 8