



US00D884165S

(12) **United States Design Patent** (10) **Patent No.:** **US D884,165 S**
deBock et al. (45) **Date of Patent:** **** May 12, 2020**

(54) **MOUNTING CRADLE**

(56) **References Cited**

(71) Applicant: **SPR Therapeutics, Inc.**, Cleveland, OH (US)
(72) Inventors: **Matthew G. deBock**, Morrisville, NC (US); **Joseph W. Boggs, II**, Chapel Hill, NC (US); **Matthew J. Wunzin**, Cleveland, OH (US); **Robert B. Strother, Jr.**, Willoughby Hills, OH (US); **Devin Sell**, Brecksville, OH (US); **Mark R. Stultz**, Maple Grove, MN (US); **Bradley A. Lewis**, Lyndhurst, OH (US)

U.S. PATENT DOCUMENTS

D179,263	S	*	11/1956	Peilet et al.	D12/417
D301,883	S	*	6/1989	Kroplopp	D14/142
D321,885	S	*	11/1991	Sheldrake	D14/138 R
D334,533	S	*	4/1993	Brunner	D8/373
D372,455	S	*	8/1996	Tiefenthal	D13/108
D409,079	S	*	5/1999	Sobczynski	D8/354
D416,908	S	*	11/1999	Whisenant	D13/177
D536,360	S	*	2/2007	Dayan	D14/126
D547,863	S	*	7/2007	Heinsch	D24/128
D549,171	S	*	8/2007	Sbordon, Jr.	D13/108
D574,837	S	*	8/2008	Hooks, Jr.	D14/453

(Continued)

(73) Assignee: **SPR Therapeutics, Inc.**, Cleveland, OH (US)

OTHER PUBLICATIONS

SPR Therapeutics Sprint PNS System, Patient Instructions for Use, Mounting Cradle pictured therein, pp. 27-28, post date 2018, URL: <https://usermanual.wiki/SPR-Therapeutics/9620-3858293.pdf>, retrieved Oct. 9, 2019.*

(**) Term: **15 Years**

Primary Examiner — Jeffrey D Asch

(21) Appl. No.: **29/651,467**

Assistant Examiner — Rebekah A Caruso

(22) Filed: **Aug. 16, 2018**

(74) *Attorney, Agent, or Firm* — McDonald Hopkins LLC

(51) **LOC (12) Cl.** **24-02**

(52) **U.S. Cl.**
USPC **D24/128**; D14/263

(58) **Field of Classification Search**
USPC D14/250–254, 224, 224.1, 238.1, 433, D14/434, 447, 451, 452, 483; D12/400, D12/415–418, 420, 426.1, 114, 223; D16/242, 245; D10/74; D3/218; D13/107, 108; D24/118, 127, 128, 187, D24/199, 227; D8/373, 380
CPC B60R 11/00; B60R 11/02; B60R 11/0241; B60R 11/0252; B60R 2011/0003; B60R 2011/0005; B60R 2011/0008; H04M 1/04; H04B 1/3877; A45F 2200/0516; A45F 2200/0525; H05K 5/0204; F16M 13/02; F16M 13/022; F16M 11/04; F16M 11/041; F16M 11/14; F16M 11/22; F16B 2/12; H01F 7/0252; G03B 17/561
See application file for complete search history.

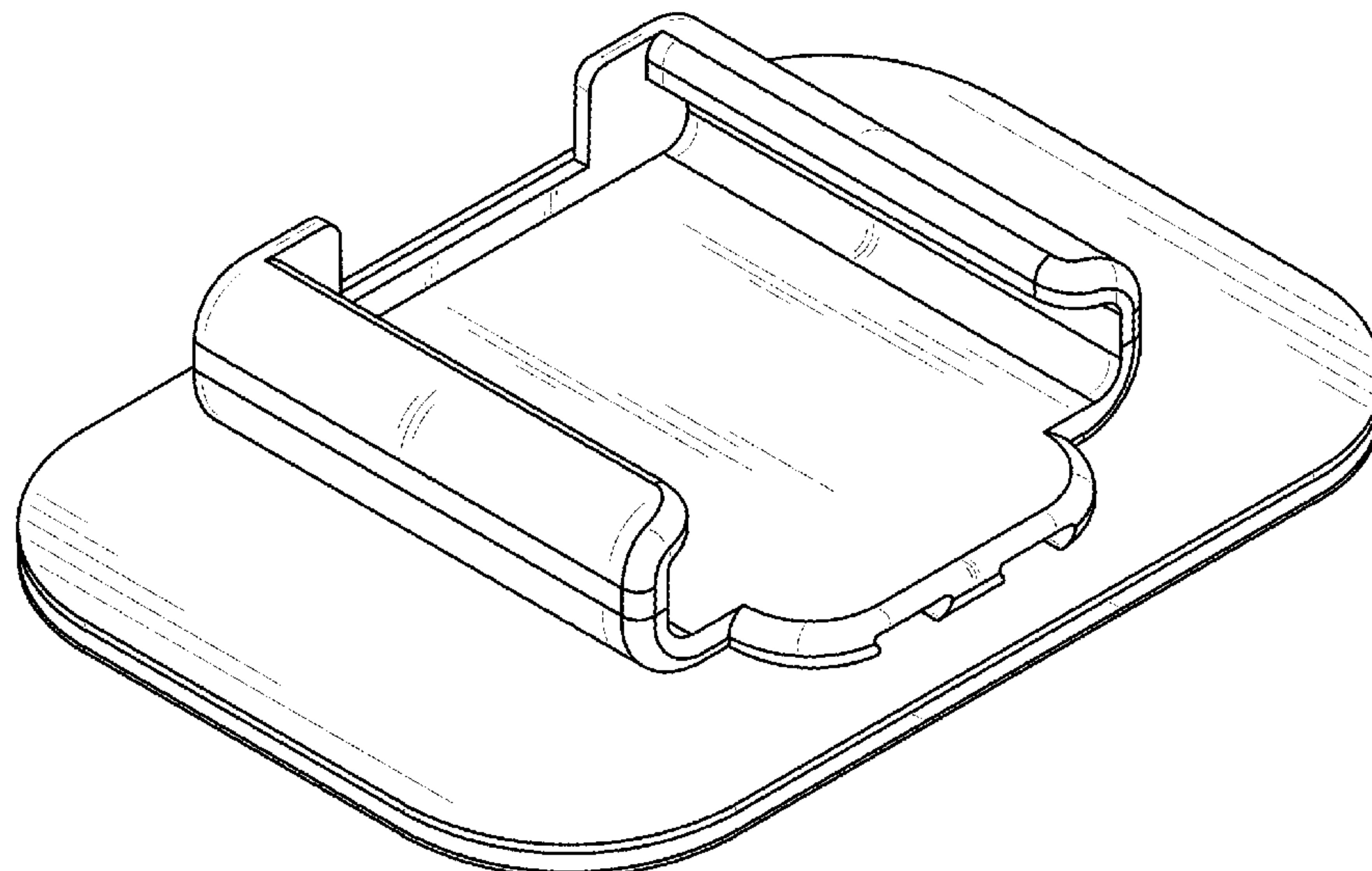
(57) **CLAIM**

The ornamental design for a mounting cradle, as shown and described.

DESCRIPTION

FIG. 1 is a perspective view of a mounting cradle showing our new design;
FIG. 2 is a top view thereof;
FIG. 3 is a bottom view thereof;
FIG. 4 is a first side view thereof;
FIG. 5 is a second side view thereof;
FIG. 6 is a front view thereof; and,
FIG. 7 is a rear view thereof.

1 Claim, 5 Drawing Sheets



(56)

References Cited

U.S. PATENT DOCUMENTS

D590,184	S	*	4/2009	Barabas	D14/253
D609,030	S	*	2/2010	Barabas	D14/238
D627,771	S	*	11/2010	Smith	D14/253
D689,041	S	*	9/2013	Hampf	D14/157
D689,466	S	*	9/2013	Hampf	D14/157
D715,925	S	*	10/2014	Suzuki	D24/128
D807,635	S	*	1/2018	Clover	D3/218
D808,641	S	*	1/2018	Clover	D3/218
D822,379	S	*	7/2018	Li	D3/218
2013/0197615	A1	*	8/2013	Rundle	A61N 1/0492 607/116
2014/0046416	A1	*	2/2014	Bennett	A61N 1/0502 607/116
2014/0103179	A1	*	4/2014	Lipke	H02G 3/14 248/231.91

* cited by examiner

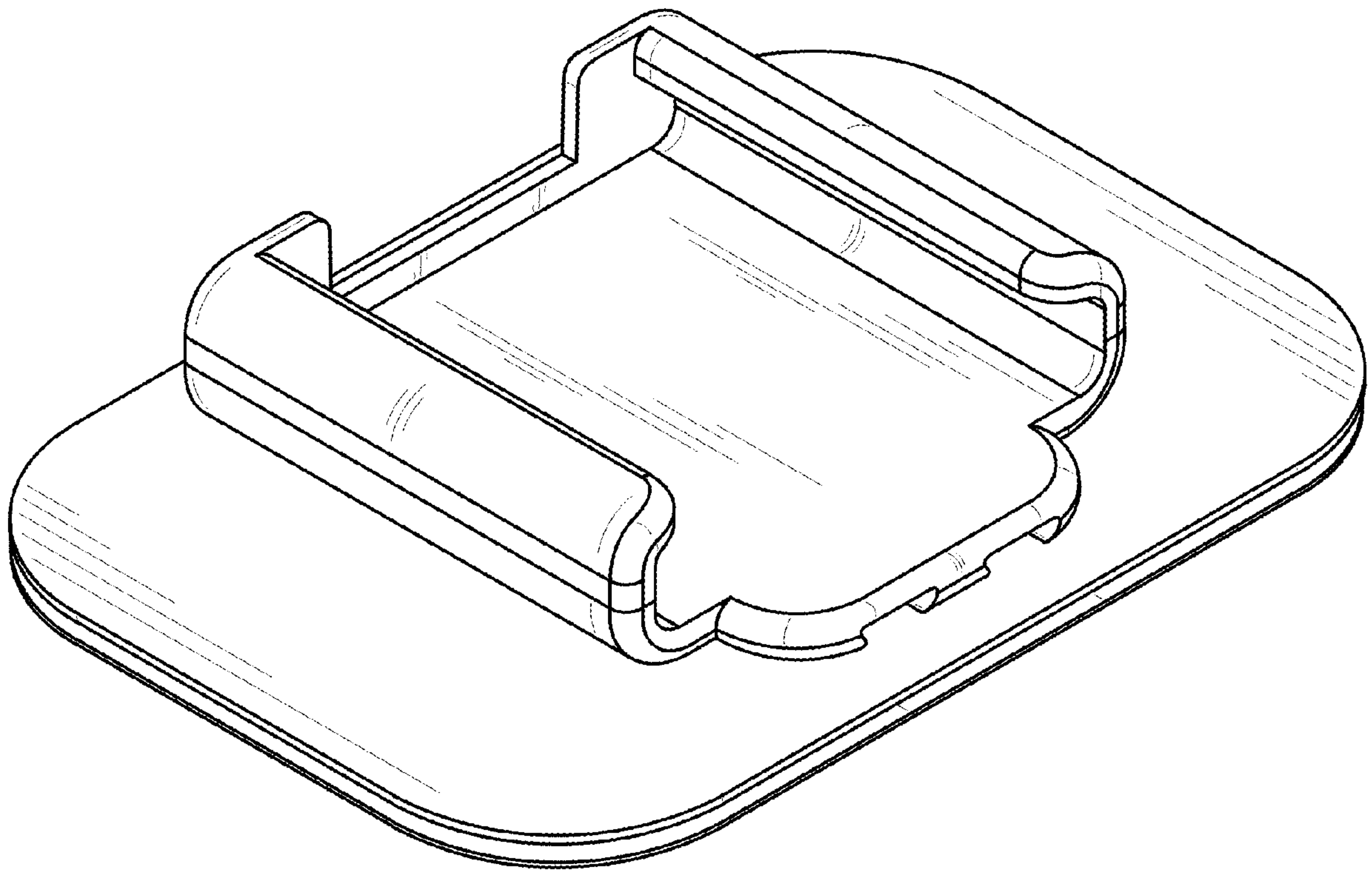


FIG. 1

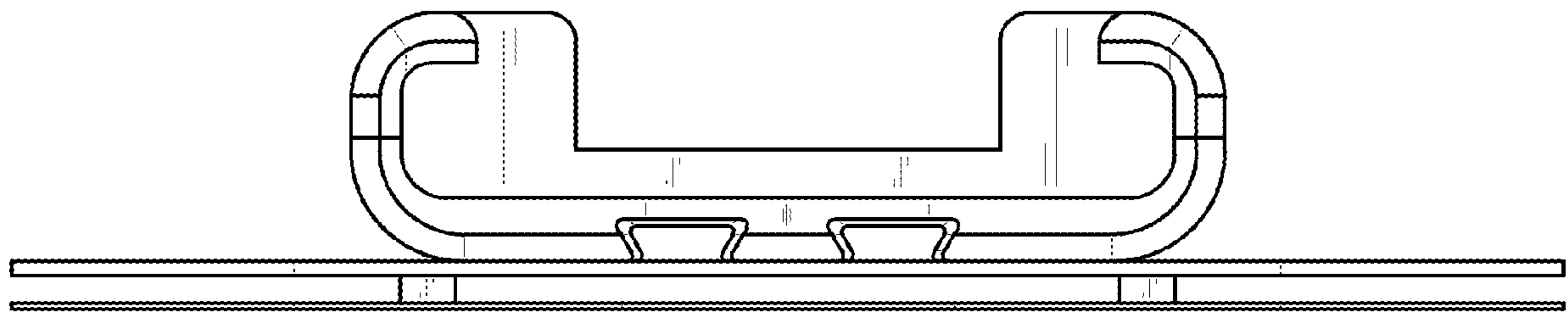


FIG. 2

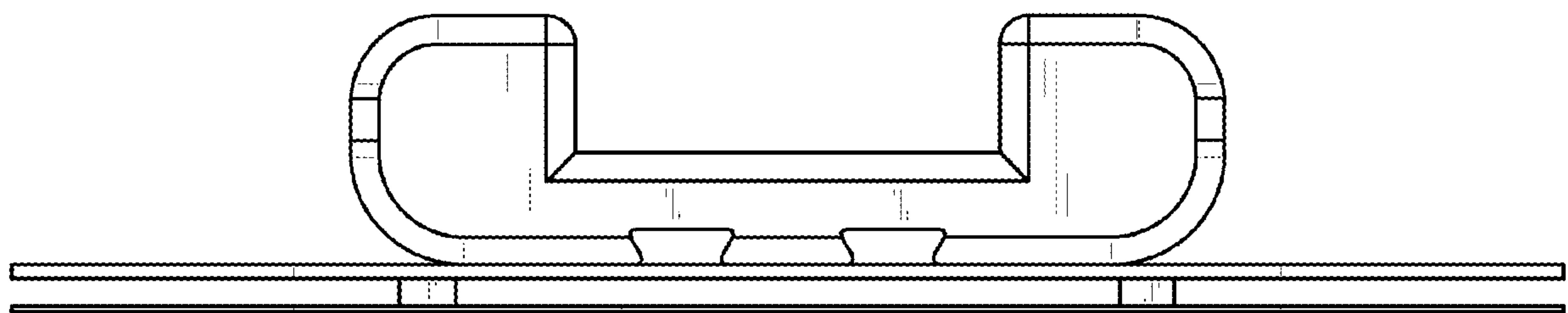


FIG. 3

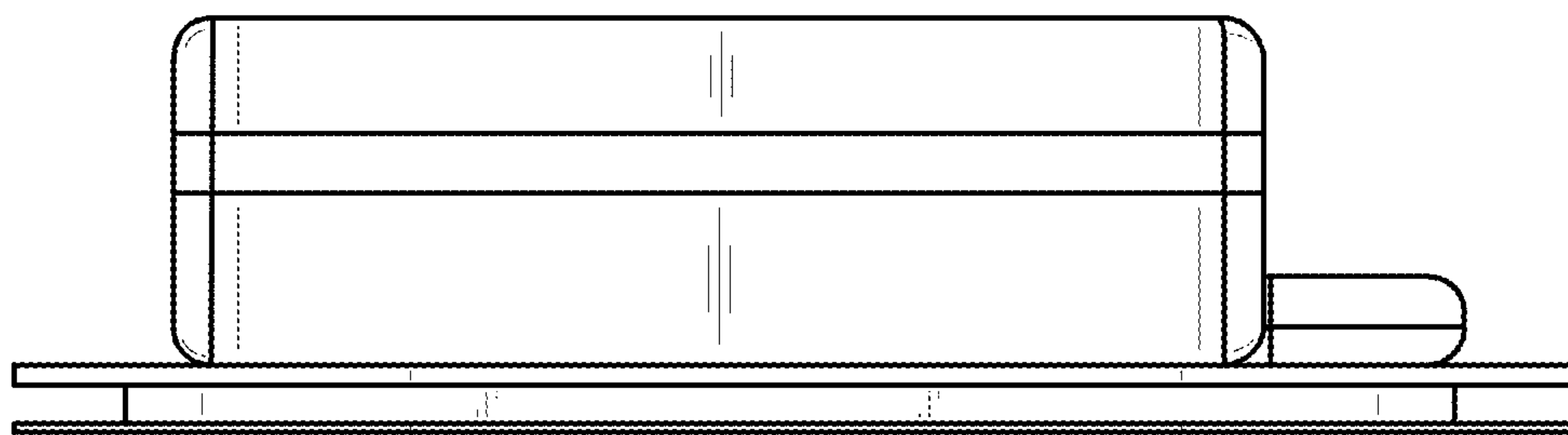


FIG. 4

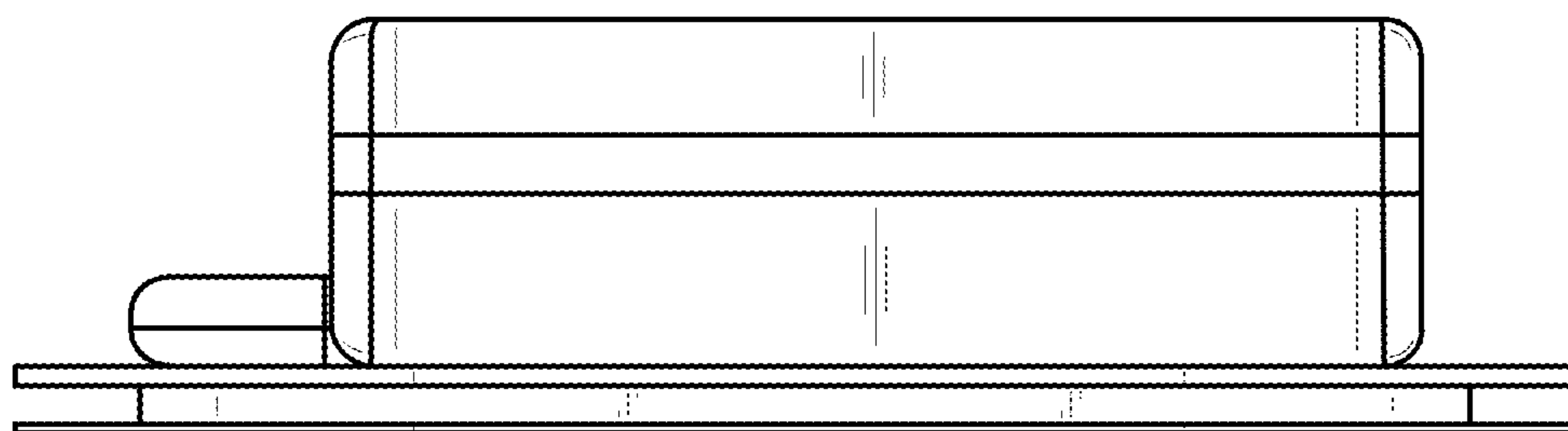


FIG. 5

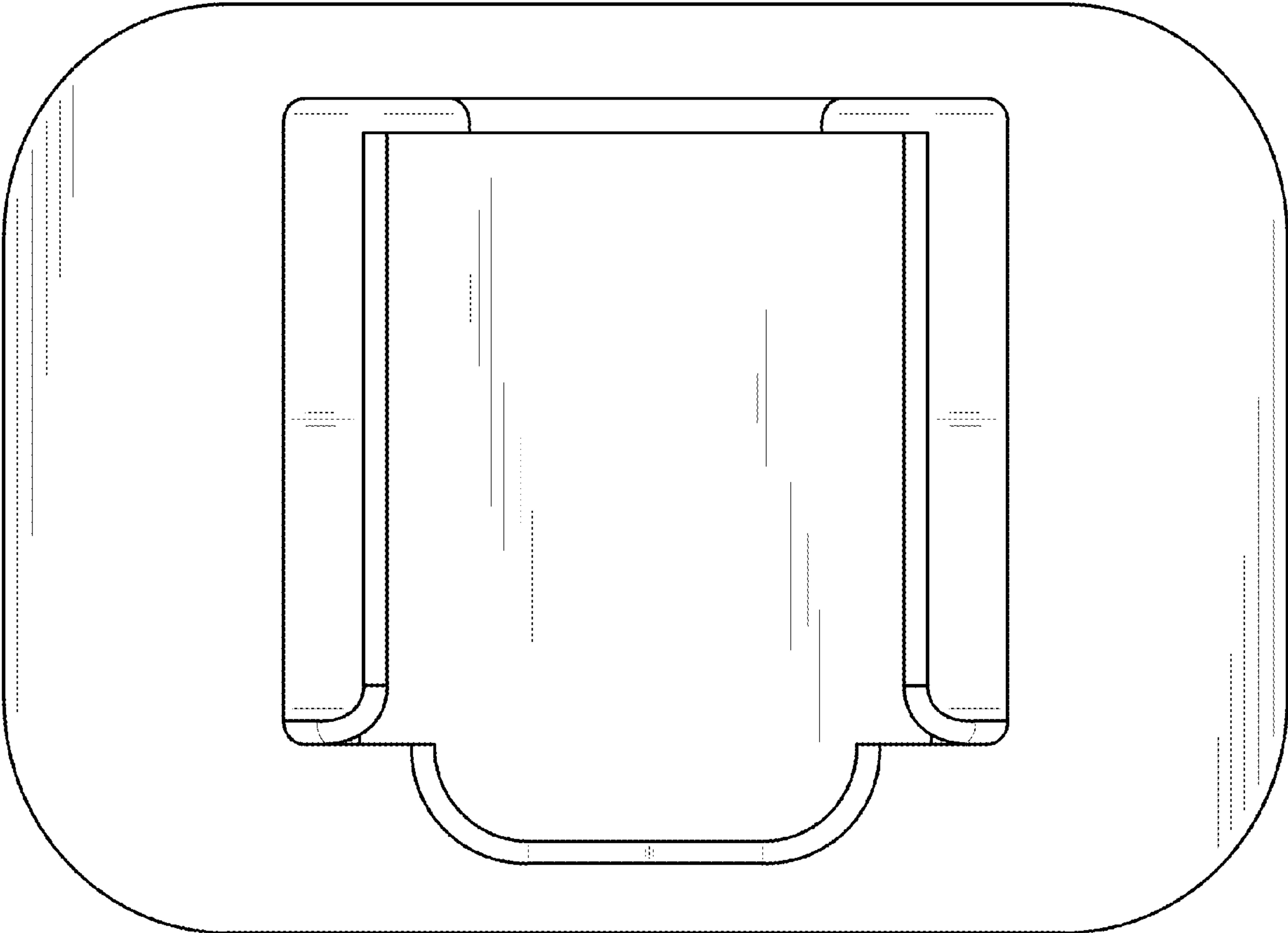


FIG. 6

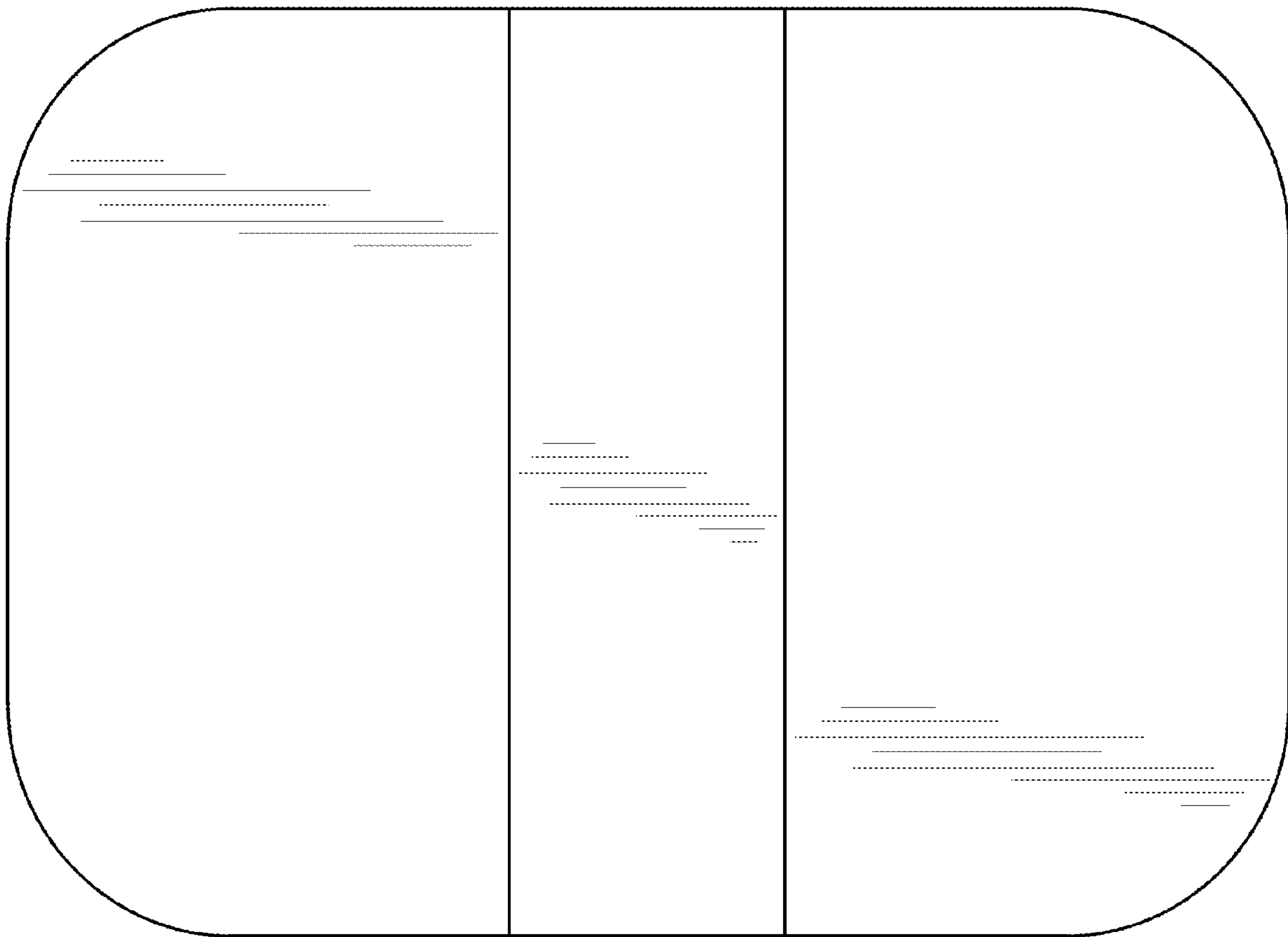


FIG. 7