



US00D884159S

(12) **United States Design Patent** (10) **Patent No.:** **US D884,159 S**  
**Moon et al.** (45) **Date of Patent:** **\*\* May 12, 2020**

(54) **DENTAL MIXING TIP NOZZLE**  
(71) Applicant: **Hyeong Joo Moon**, Gyeonggi-do (KR)  
(72) Inventors: **Hyeong Joo Moon**, Gyeonggi-do (KR);  
**Cho Eun Moon**, Gyeonggi-do (KR);  
**Chae Eun Moon**, Gyeonggi-do (KR)  
(73) Assignee: **Hyeong Joo Moon**, Gyeonggi-do (KR)  
(\*\*) Term: **15 Years**

D631,544 S \* 1/2011 Kraft ..... D24/130  
D703,010 S \* 4/2014 Meyer ..... D7/700  
D728,331 S \* 5/2015 Wirth ..... D7/700  
D745,328 S \* 12/2015 Magri ..... D1/105  
D749,725 S \* 2/2016 Sauer ..... D24/133  
D752,743 S \* 3/2016 Oberg ..... A61B 8/0833  
D24/130  
D783,209 S \* 4/2017 Morris ..... D30/121  
D811,831 S \* 3/2018 Rummel ..... D7/700  
D815,928 S \* 4/2018 Rummel ..... D7/700  
D841,410 S \* 2/2019 Wettlaufer ..... D7/665  
D846,346 S \* 4/2019 Nakatsuka ..... D7/400

\* cited by examiner

(21) Appl. No.: **29/657,045**  
(22) Filed: **Jul. 18, 2018**  
(51) **LOC (12) Cl.** ..... **24-02**  
(52) **U.S. Cl.**  
USPC ..... **D24/112**  
(58) **Field of Classification Search**  
USPC ..... D24/112–114, 108, 130, 127, 133, 186;  
606/181, 185; 604/264, 523–528, 272,  
604/164.01–164.11, 187, 93.01; 600/101,  
600/139, 143; 128/200.24, 207.14,  
128/207.15; D7/700  
CPC .. A61M 25/065; A61M 5/42; A61M 25/0612;  
A61M 25/00; A61M 39/00; A61M 27/00;  
A61M 25/0043; A61M 25/0067; A61M  
25/0097; A61F 2/958  
See application file for complete search history.

*Primary Examiner* — David G Muller  
(74) *Attorney, Agent, or Firm* — Miller, Matthias & Hull  
LLP

(57) **CLAIM**

The ornamental design for a dental mixing tip nozzle, as shown and described.

**DESCRIPTION**

FIG. 1 is a perspective view of the new design;  
FIG. 2 is a front elevation view thereof;  
FIG. 3 is a rear elevation view thereof;  
FIG. 4 is a left side elevation view thereof, the right side being omitted since the right side is symmetrical to the left side;  
FIG. 5 is a top plan view thereof; and,  
FIG. 6 is a bottom plan view thereof.

(56) **References Cited**

U.S. PATENT DOCUMENTS

D287,035 S \* 12/1986 Lewis ..... D21/392  
D363,221 S \* 10/1995 Puryear ..... D7/700

**1 Claim, 5 Drawing Sheets**

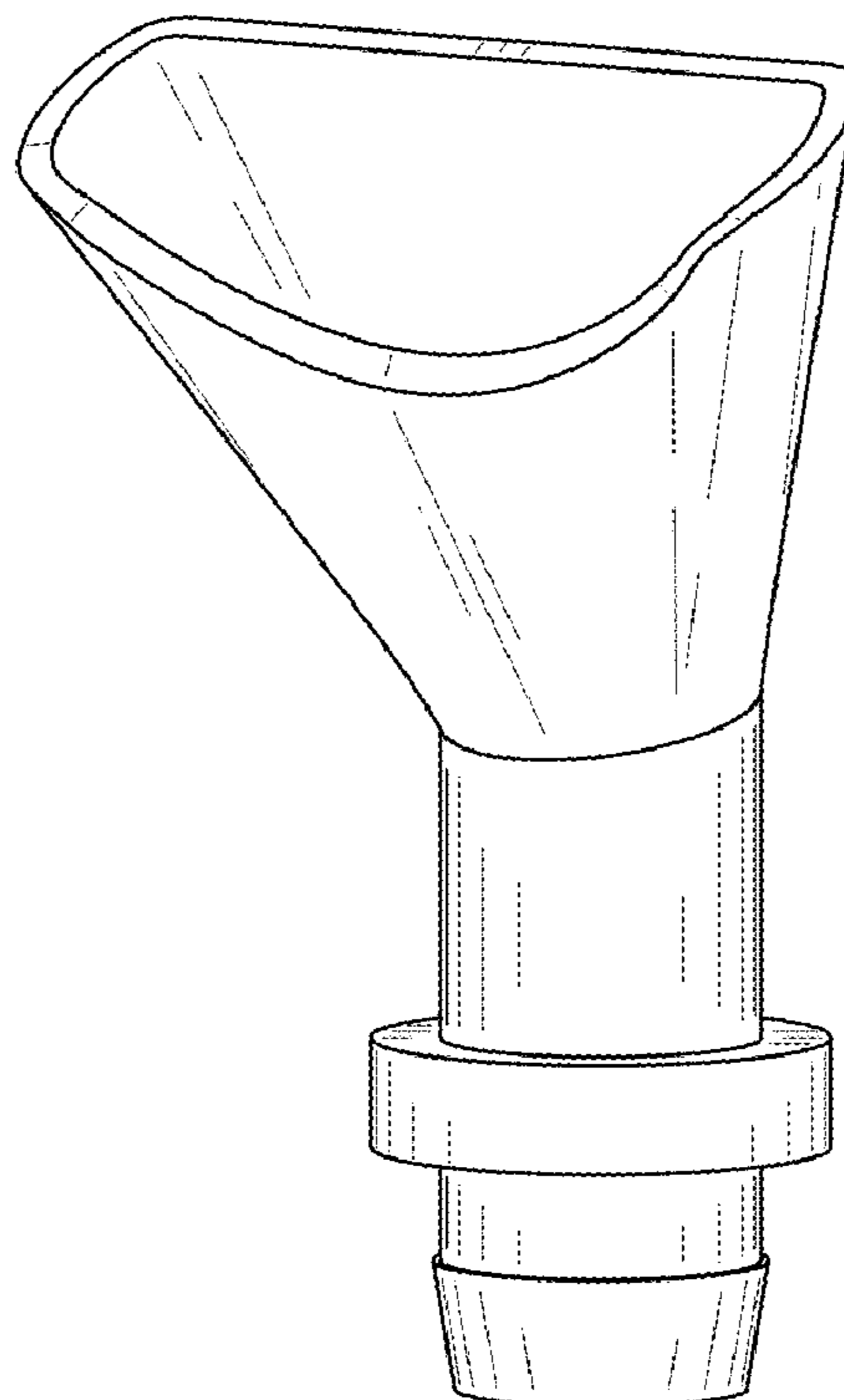


FIG. 1

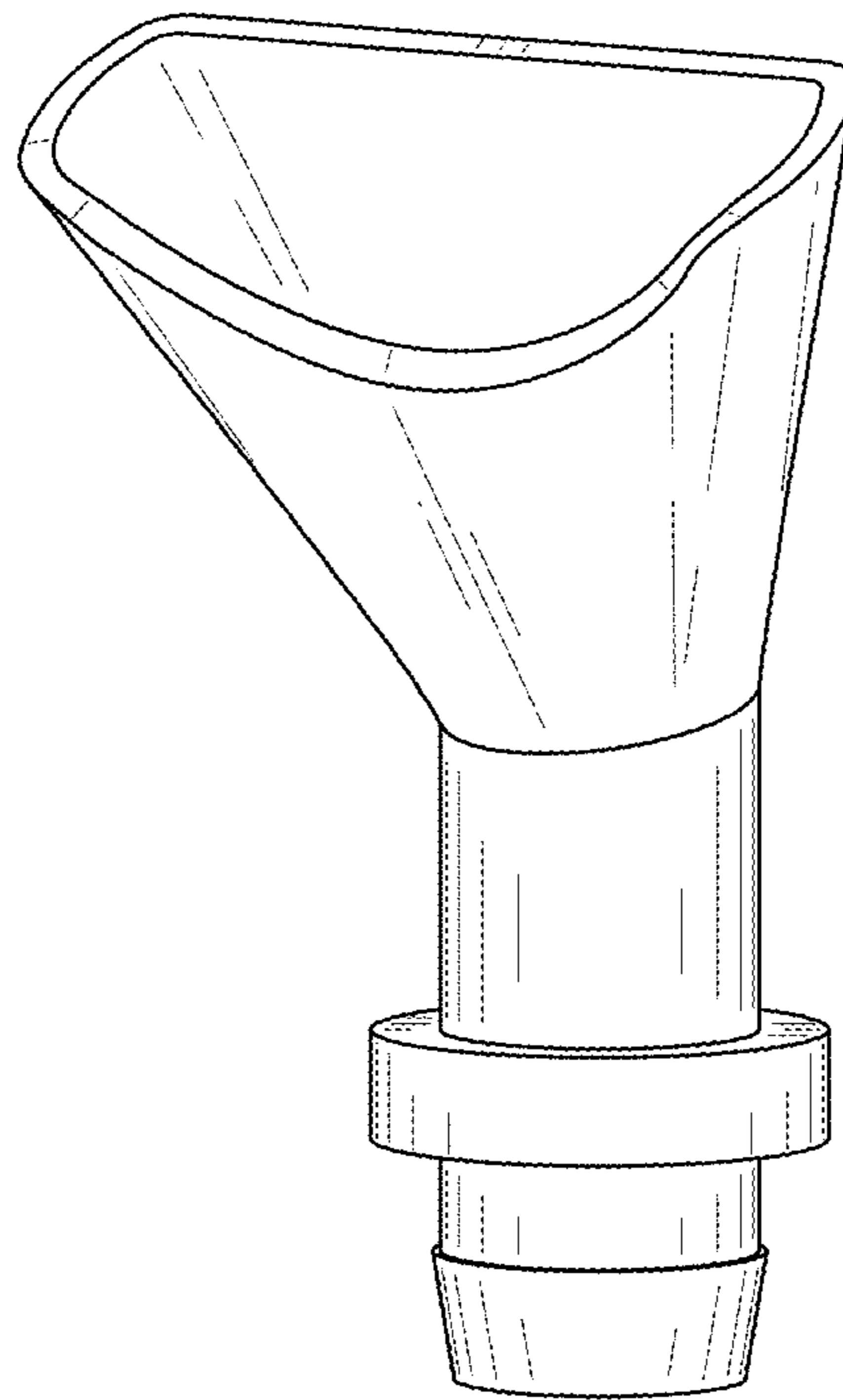


FIG. 2

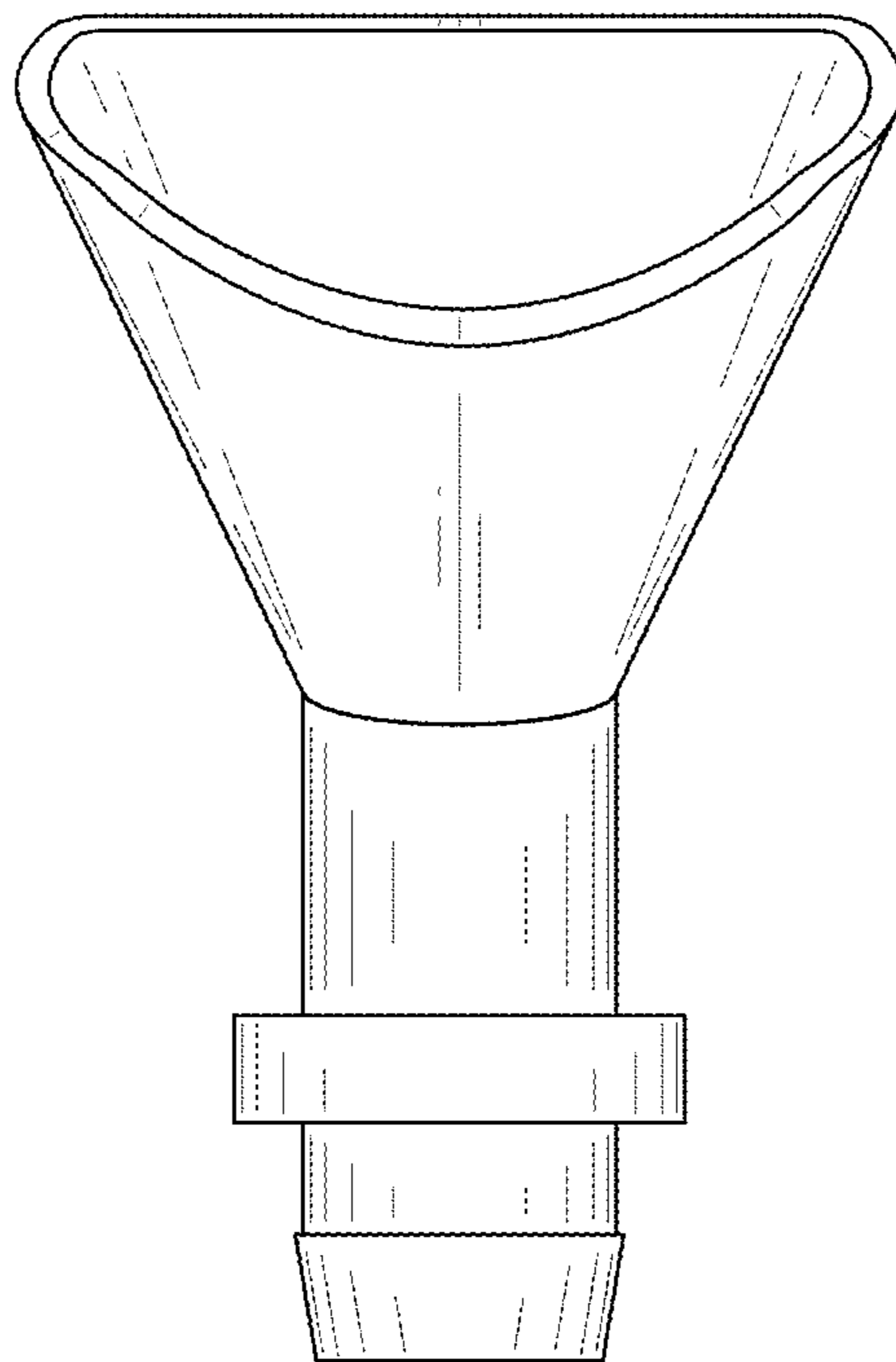


FIG. 3

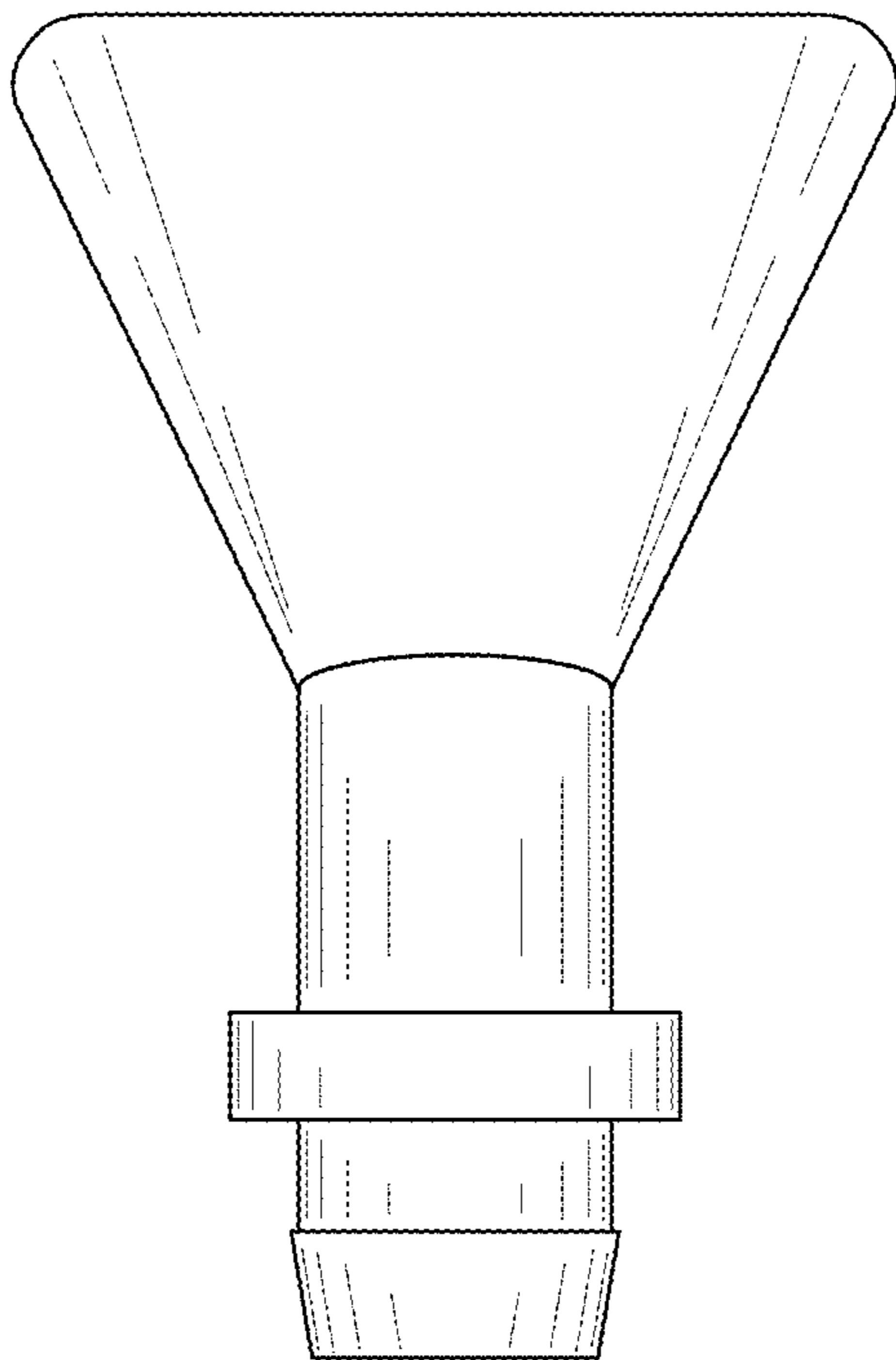


FIG. 4

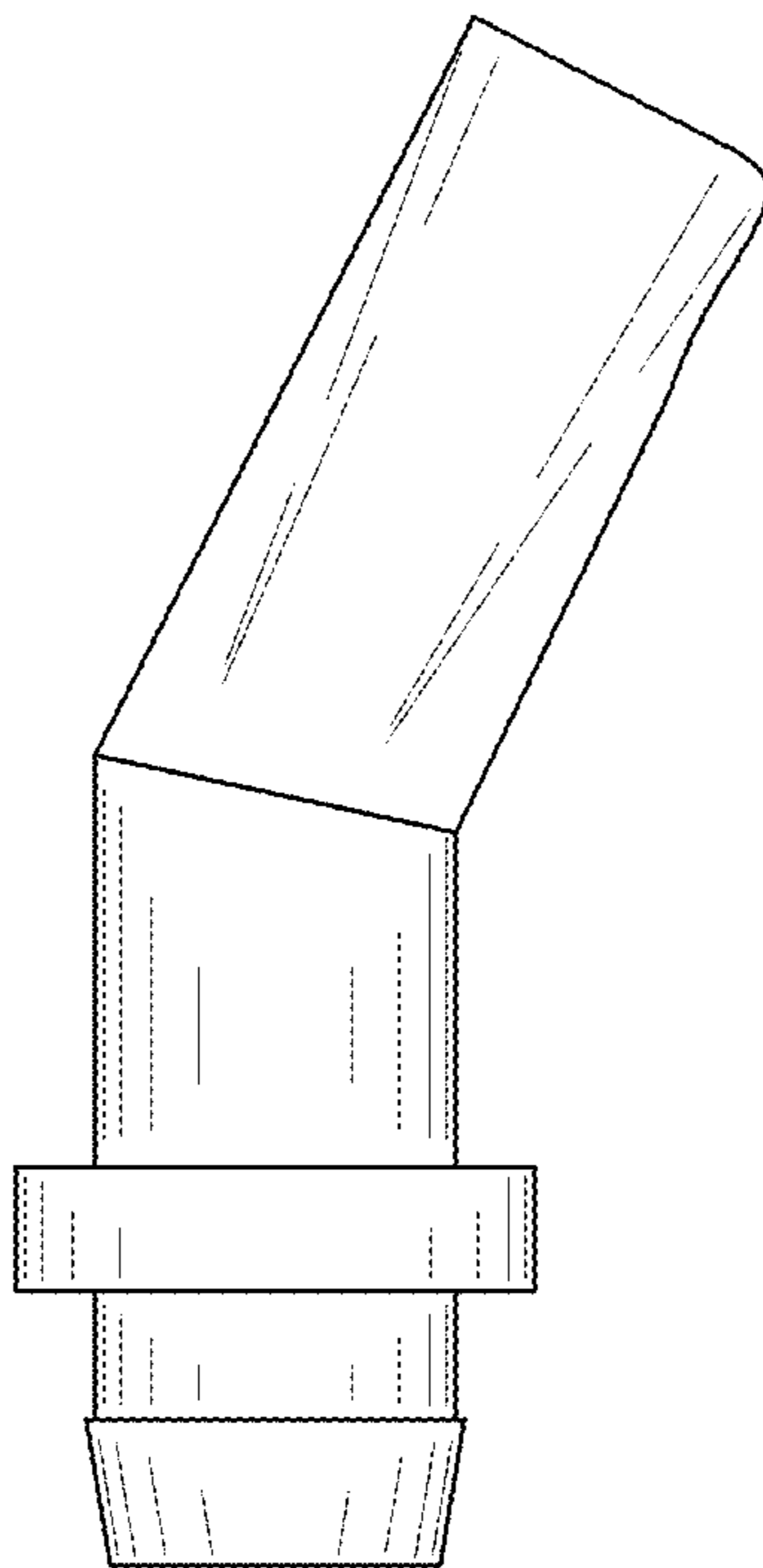


FIG. 5

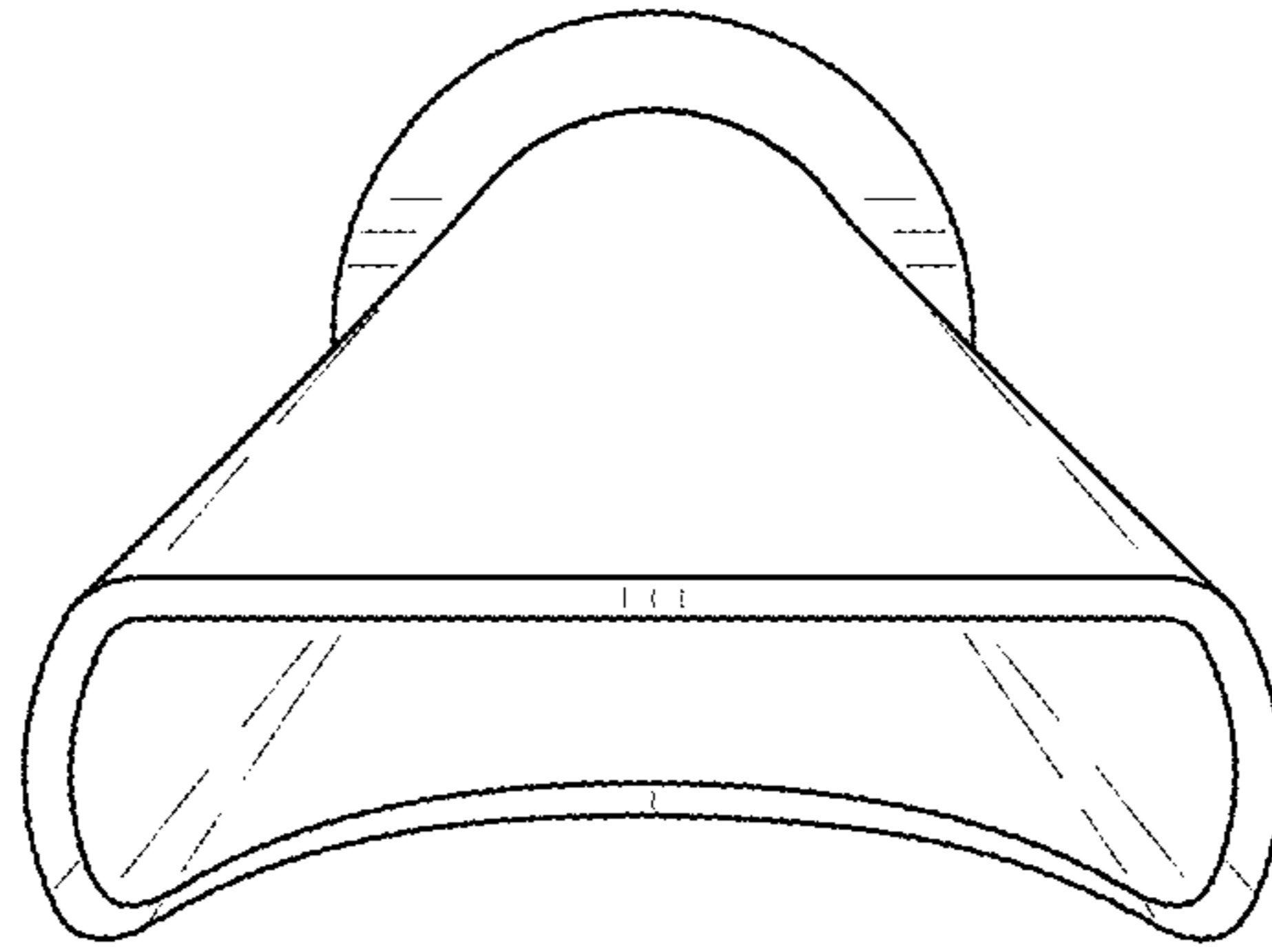


FIG. 6

