



US00D884158S

(12) **United States Design Patent**
Discher et al.

(10) **Patent No.:** **US D884,158 S**

(45) **Date of Patent:** **** May 12, 2020**

(54) **INJECTION TUBE**

(71) Applicant: **B. Braun Melsungen AG**, Melsungen (DE)

(72) Inventors: **Markus Discher**, Knüllwald (DE);
Helmut Freigang, Körle (DE);
Matthias Kramer, Melsungen (DE);
Manfred Lutz, Spangenberg (DE);
Andreas Katerkamp, Melsungen (DE)

(73) Assignee: **B. Braun Melsungen AG** (DE)

(**) Term: **15 Years**

(21) Appl. No.: **29/641,825**

(22) Filed: **Mar. 26, 2018**

(30) **Foreign Application Priority Data**

Sep. 27, 2017 (EM) 004373652-0001
Sep. 27, 2017 (EM) 004373652-0002

(51) **LOC (12) Cl.** **24-02**

(52) **U.S. Cl.**
USPC **D24/112**

(58) **Field of Classification Search**
USPC D24/112-114, 108, 133, 130, 127, 186;
606/181, 185; 604/264, 272, 187, 181,
604/184, 227
CPC A61M 5/178; A61M 3/00; A61M 5/20;
A61M 5/31; A61M 5/3146; A61M
5/3129; A61M 5/3148; A61M 5/315
See application file for complete search history.

(56) **References Cited**

U.S. PATENT DOCUMENTS

4,236,520 A * 12/1980 Anderson A61D 1/02
119/14.21
D262,577 S * 1/1982 Anderson D24/112

8,177,757 B2 * 5/2012 Nemoto A61M 5/14546
264/13
D708,737 S * 7/2014 Sherman D24/112
D710,499 S * 8/2014 Kawamura D24/130
D718,440 S * 11/2014 Besse D24/133
D739,005 S * 9/2015 Matsumura D24/108
9,211,670 B1 * 12/2015 Galomb B29C 45/78
9,352,101 B2 * 5/2016 Roberts A61M 5/326
9,931,152 B2 * 4/2018 Wittenberger A61B 18/02
D819,203 S * 5/2018 Grunhut D24/130

* cited by examiner

Primary Examiner — David G Muller

(74) *Attorney, Agent, or Firm* — RatnerPrestia

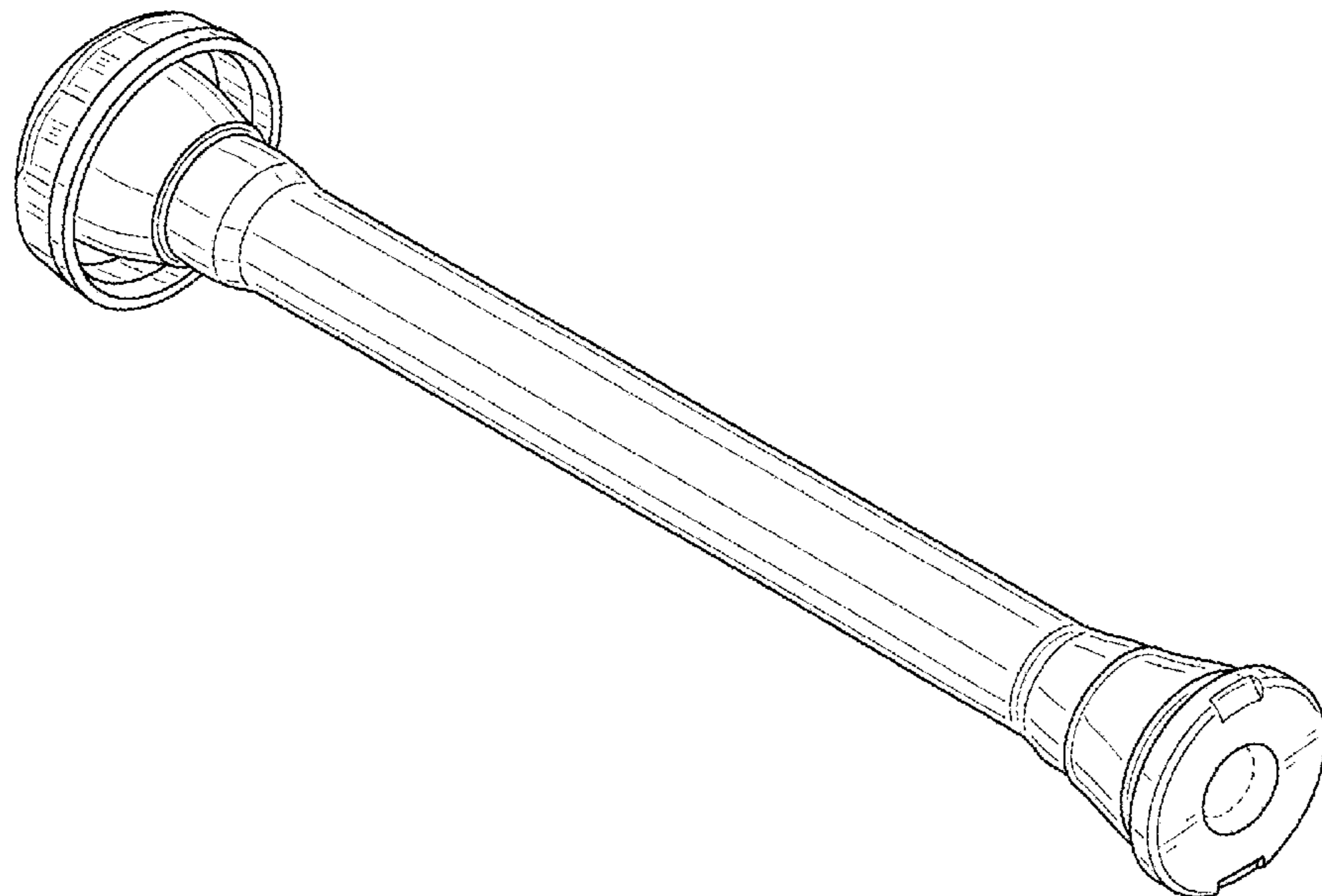
(57) **CLAIM**

The ornamental design for an injection tube, as shown and described.

DESCRIPTION

FIG. 1 is an isometric view of an injection tube according to a first embodiment;
FIG. 2 is an elevation view from the left side thereof;
FIG. 3 is a top plan view thereof;
FIG. 4 is a bottom plan view thereof;
FIG. 5 is an elevation view from the right side thereof;
FIG. 6 is an elevation view from the front side thereof; and
FIG. 7 is an elevation view from the rear side thereof.
FIG. 8 is an isometric view of an injection tube according to a second embodiment;
FIG. 9 is an elevation view from the left side thereof;
FIG. 10 is a top plan view thereof;
FIG. 11 is a bottom plan view thereof;
FIG. 12 is an elevation view from the right side thereof;
FIG. 13 is an elevation view from the front side thereof; and,
FIG. 14 is an elevation view from the rear side thereof.
The broken lines depict portions of the injection tube that form no part of the claimed design.

1 Claim, 14 Drawing Sheets



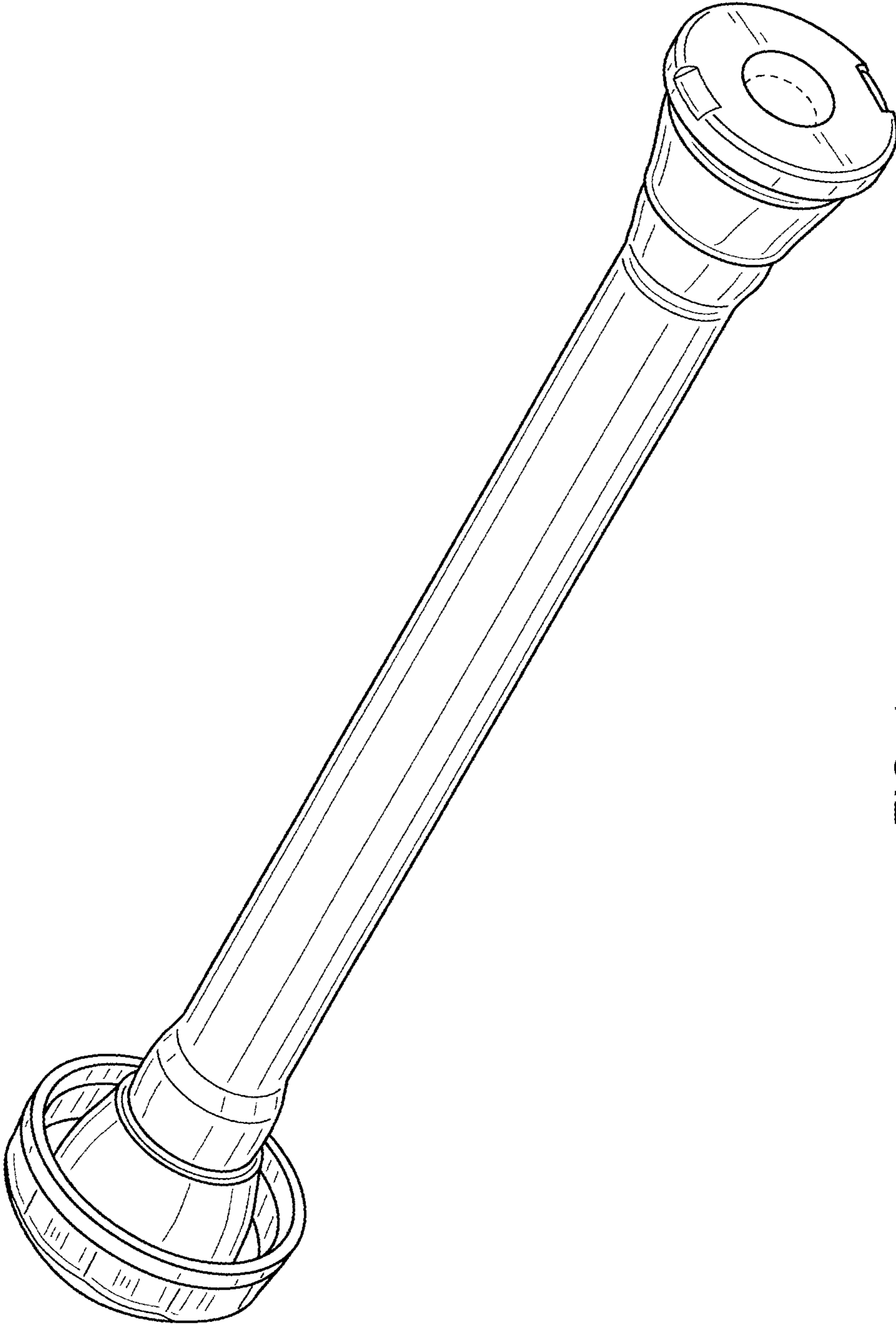


FIG. 1

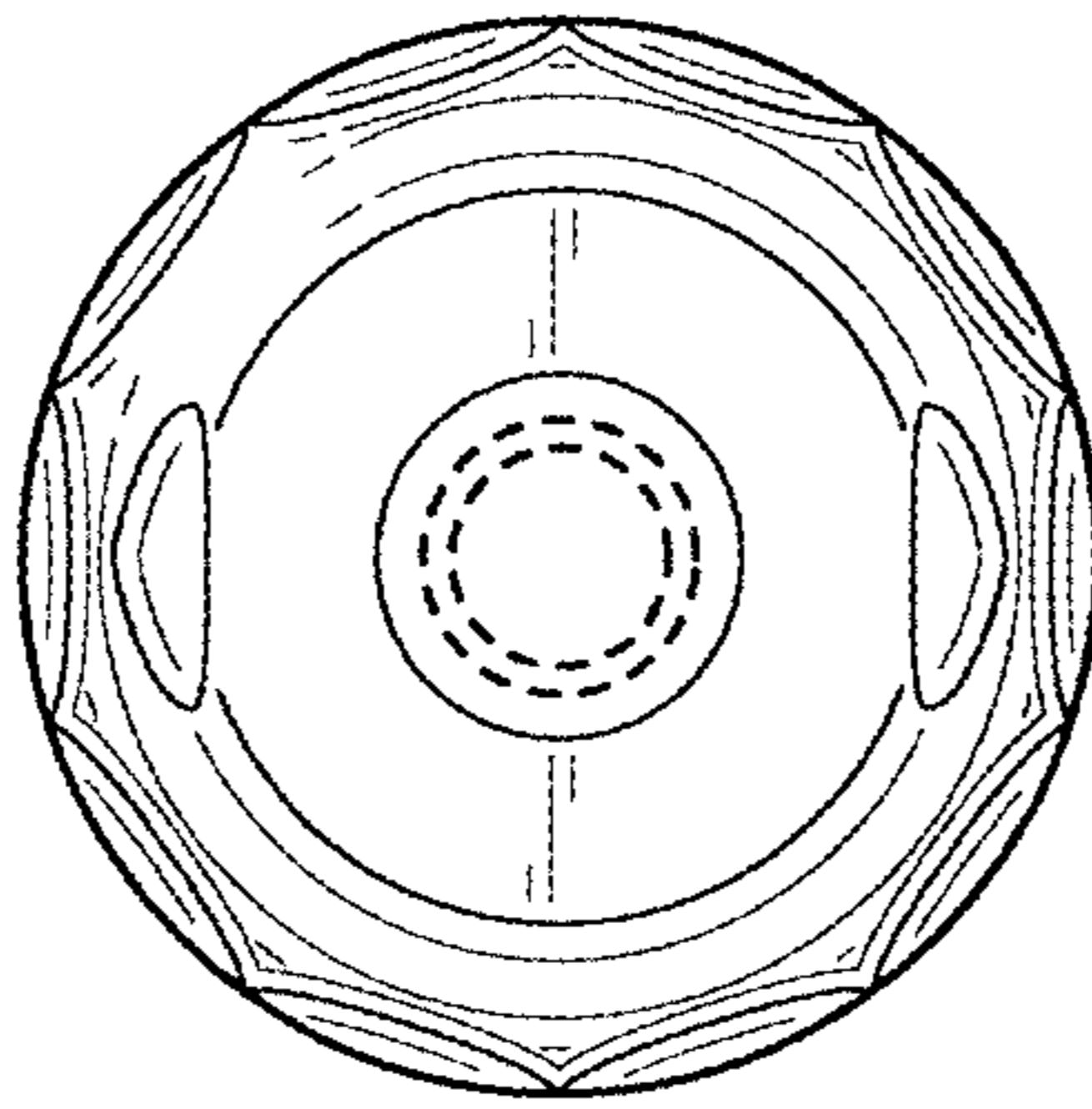


FIG. 2

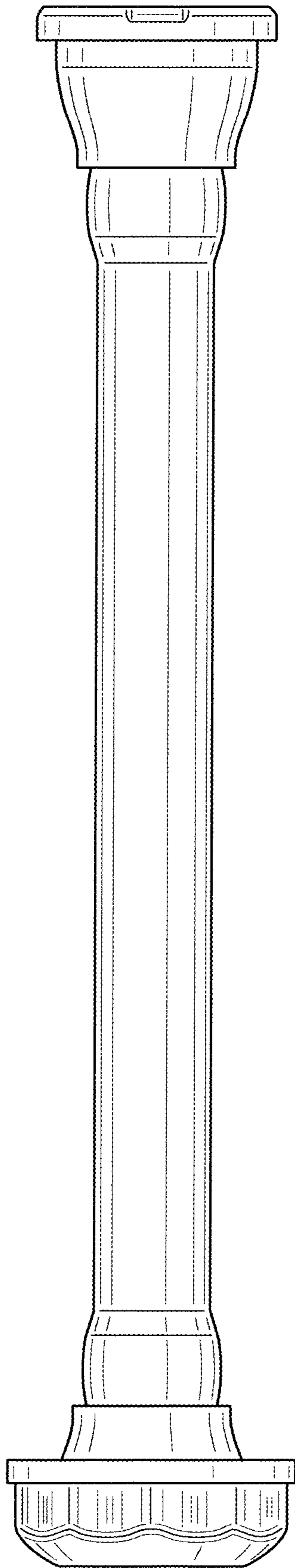


FIG. 3

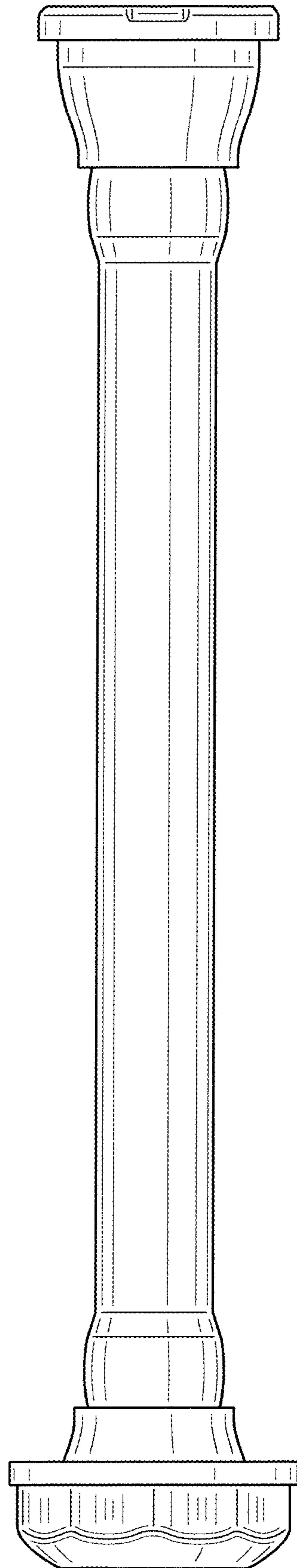


FIG. 4

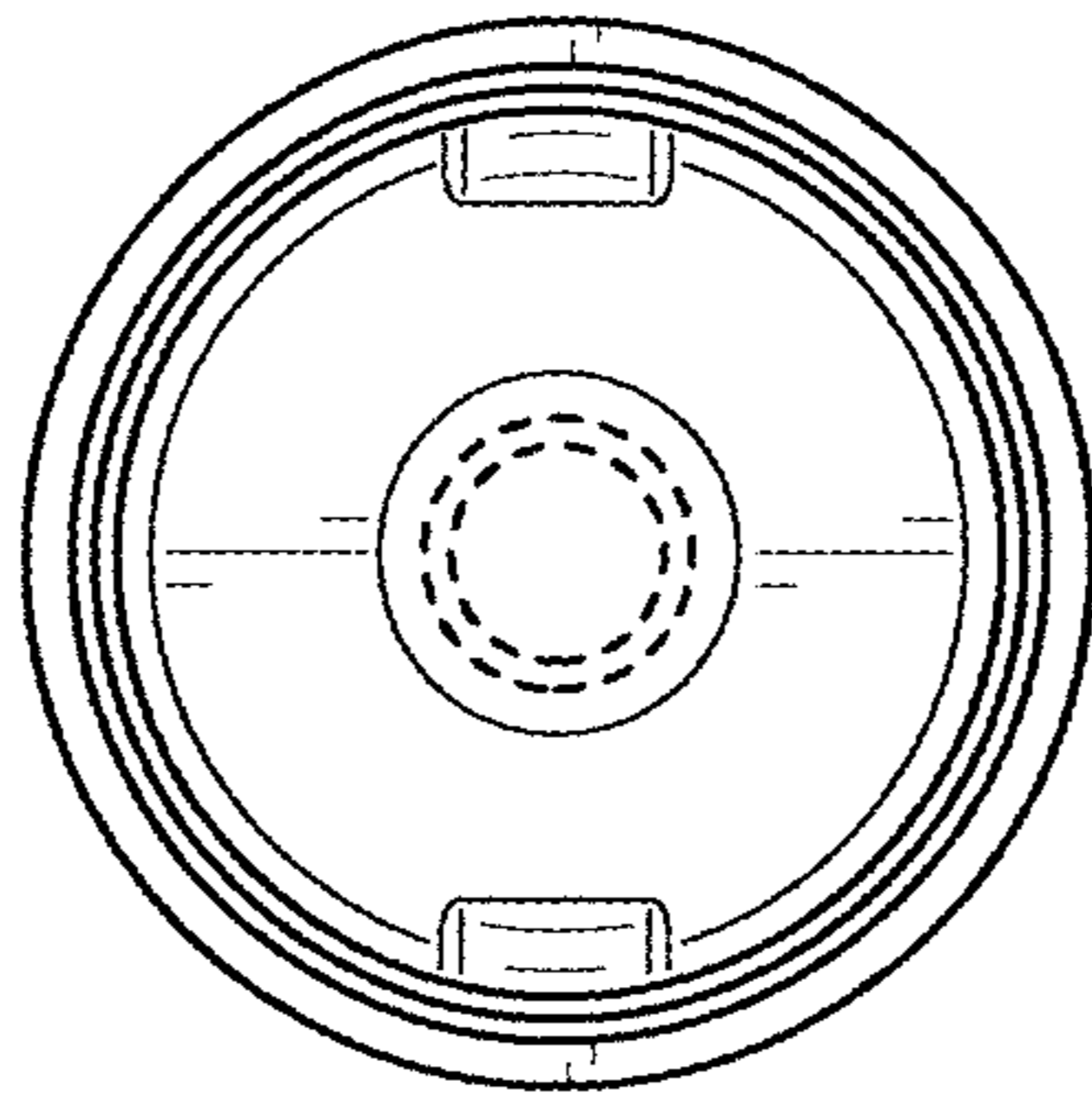


FIG. 5

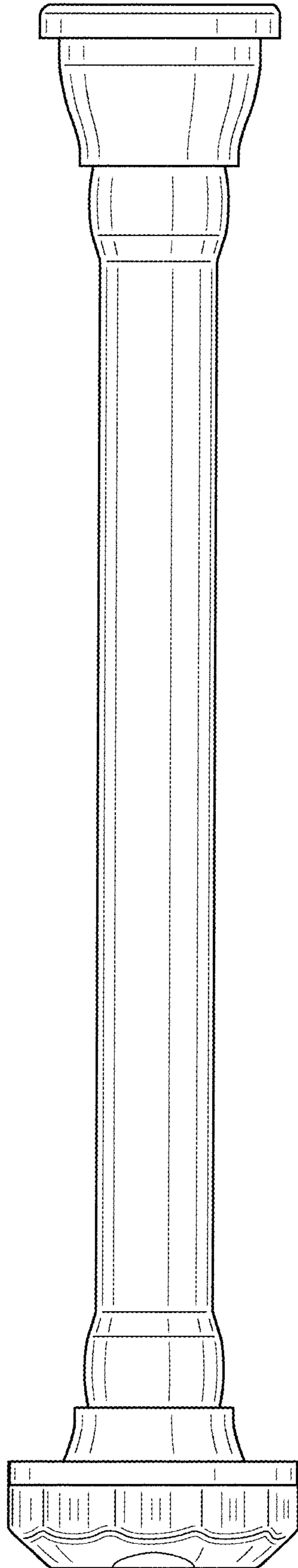


FIG. 6

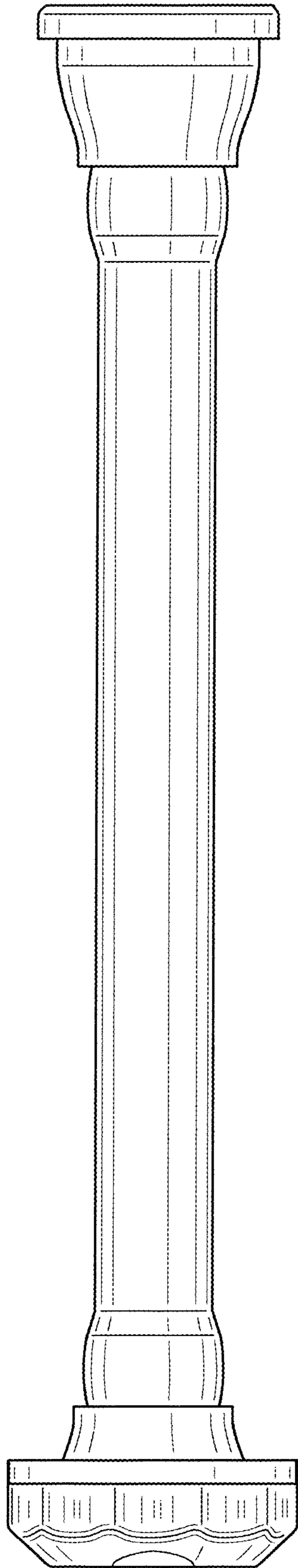


FIG. 7

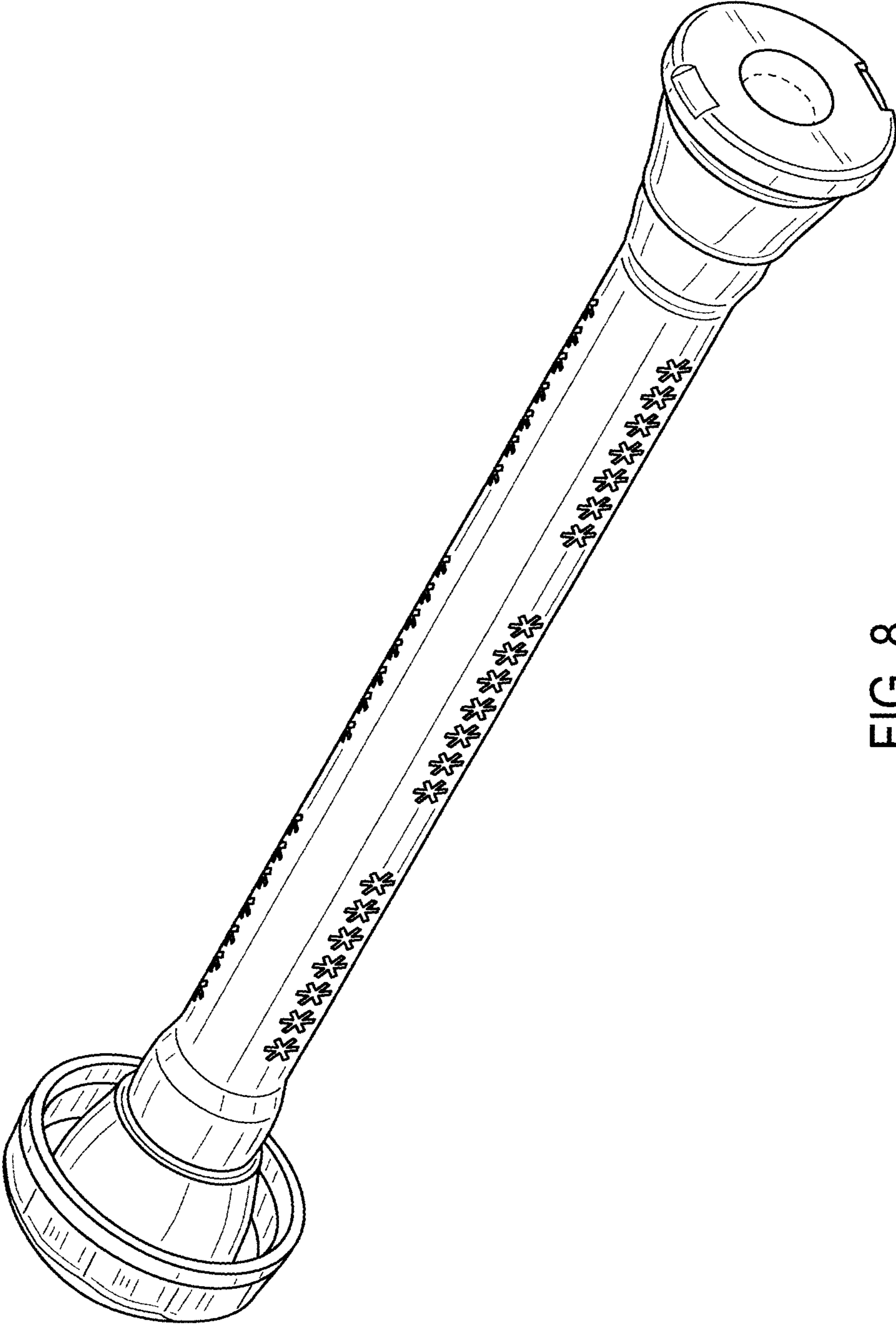


FIG. 8

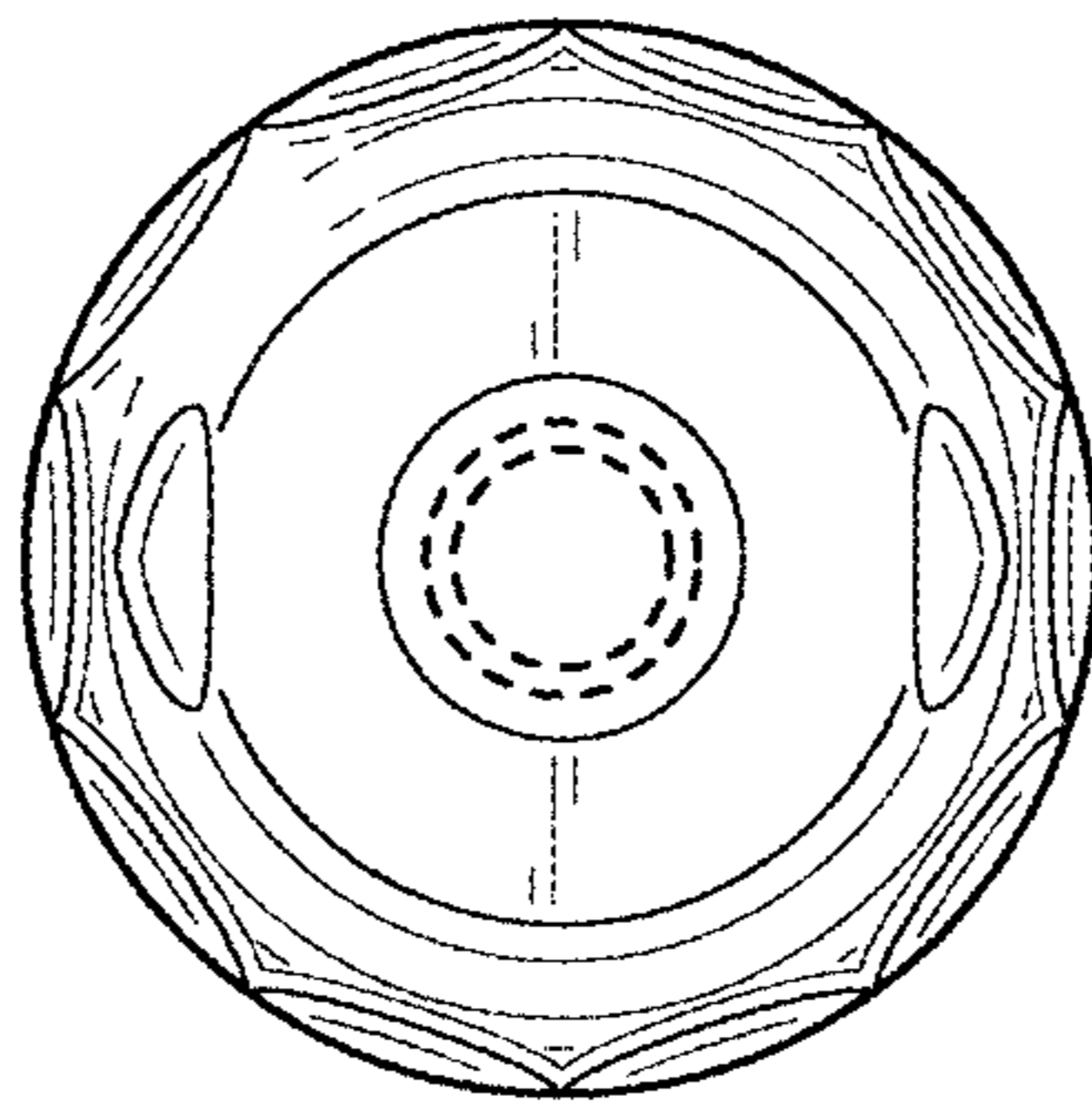


FIG. 9

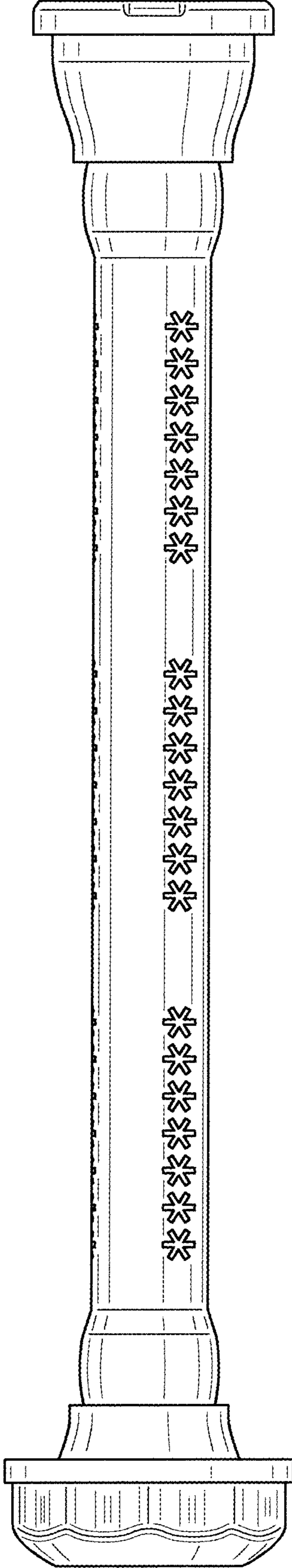


FIG. 10

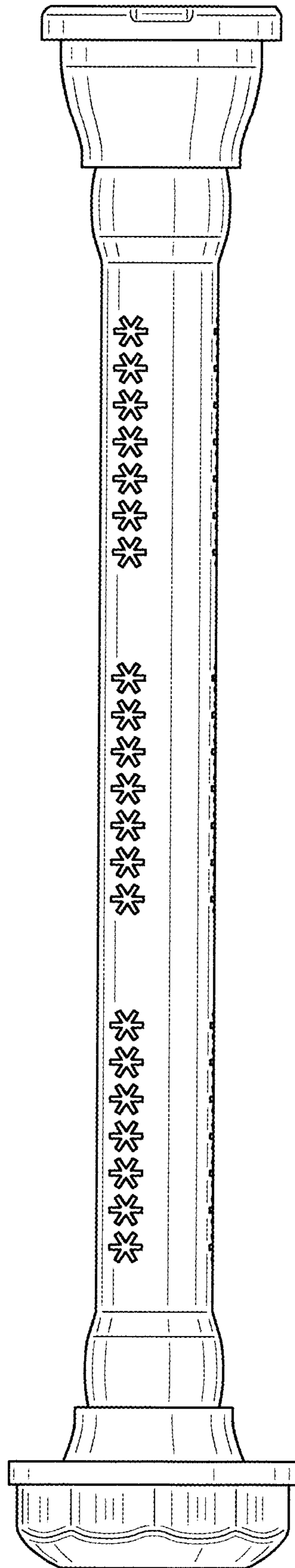


FIG. 11

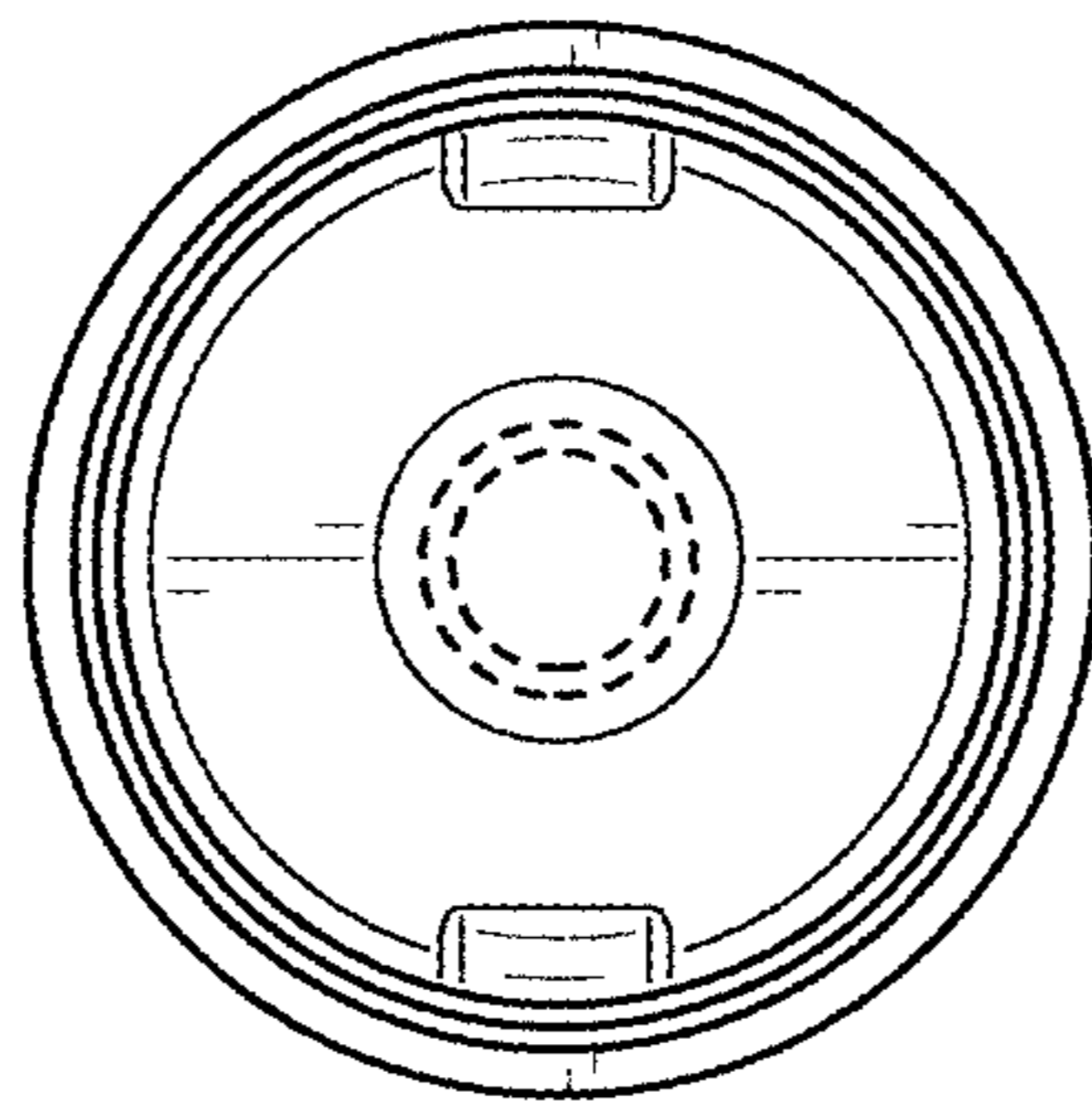


FIG. 12

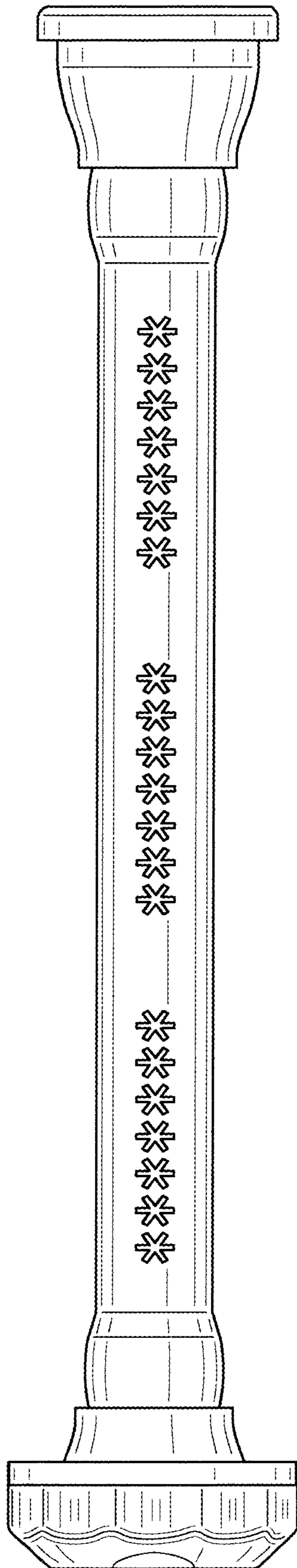


FIG. 13

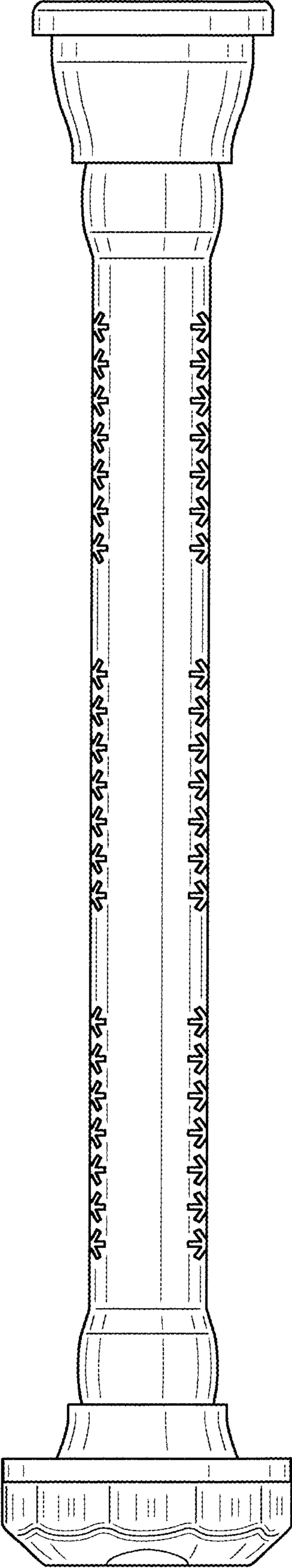


FIG. 14