



US00D884157S

(12) **United States Design Patent** (10) **Patent No.:** **US D884,157 S**
Hulford et al. (45) **Date of Patent:** **** *May 12, 2020**

(54) **MEDICAL DEVICE**

D678,512 S * 3/2013 Bow D24/112
D696,778 S * 12/2013 Liao D24/133
8,747,111 B2 * 6/2014 Dombrowski A61M 1/0047
433/95

(71) Applicant: **Intuitive Surgical Operations, Inc.**,
Sunnyvale, CA (US)

(Continued)

(72) Inventors: **Timothy B. Hulford**, Burlingame, CA
(US); **Robert B. Hubler**, Woodinville,
WA (US); **Elie Eyrarn Ahovi**, San
Francisco, CA (US); **Craig Tsuji**, San
Jose, CA (US); **Edward P. Donlon**, San
Jose, CA (US)

Primary Examiner — Lilyana Bekic

Assistant Examiner — Aula Soroush

(74) *Attorney, Agent, or Firm* — Haynes and Boone, LLP

(73) Assignee: **INTUITIVE SURGICAL
OPERATIONS, INC.**, Sunnyvale, CA
(US)

(57) **CLAIM**

The ornamental design for a medical device, as shown and described.

(*) Notice: This patent is subject to a terminal disclaimer.

(**) Term: **15 Years**

DESCRIPTION

(21) Appl. No.: **29/581,071**

The file of this patent contains at least one drawing executed in color. Copies of this patent with color drawing(s) will be provided by the Office upon request and payment of the necessary fee.

(22) Filed: **Oct. 14, 2016**

(51) **LOC (12) Cl.** **29-02**

(52) **U.S. Cl.**
USPC **D24/111**

(58) **Field of Classification Search**
USPC D24/107–109, 111–113, 127, 101,
D24/163–165, 152, 176, 133, 144, 170;
D3/203.1, 201, 200, 203.6; D9/432, 414;
D23/356, 359, 360, 386
CPC A61C 17/0205; A61C 17/0202; A61C
17/224; A61C 17/20; A61C 17/005; A61C
17/028; A61C 17/02; A61C 17/036; A61C
17/00; A61C 17/0211; A61C 17/0214;
A61C 17/28; A61C 17/043; A61C 17/22;
A61C 17/222; A61C 17/225
See application file for complete search history.

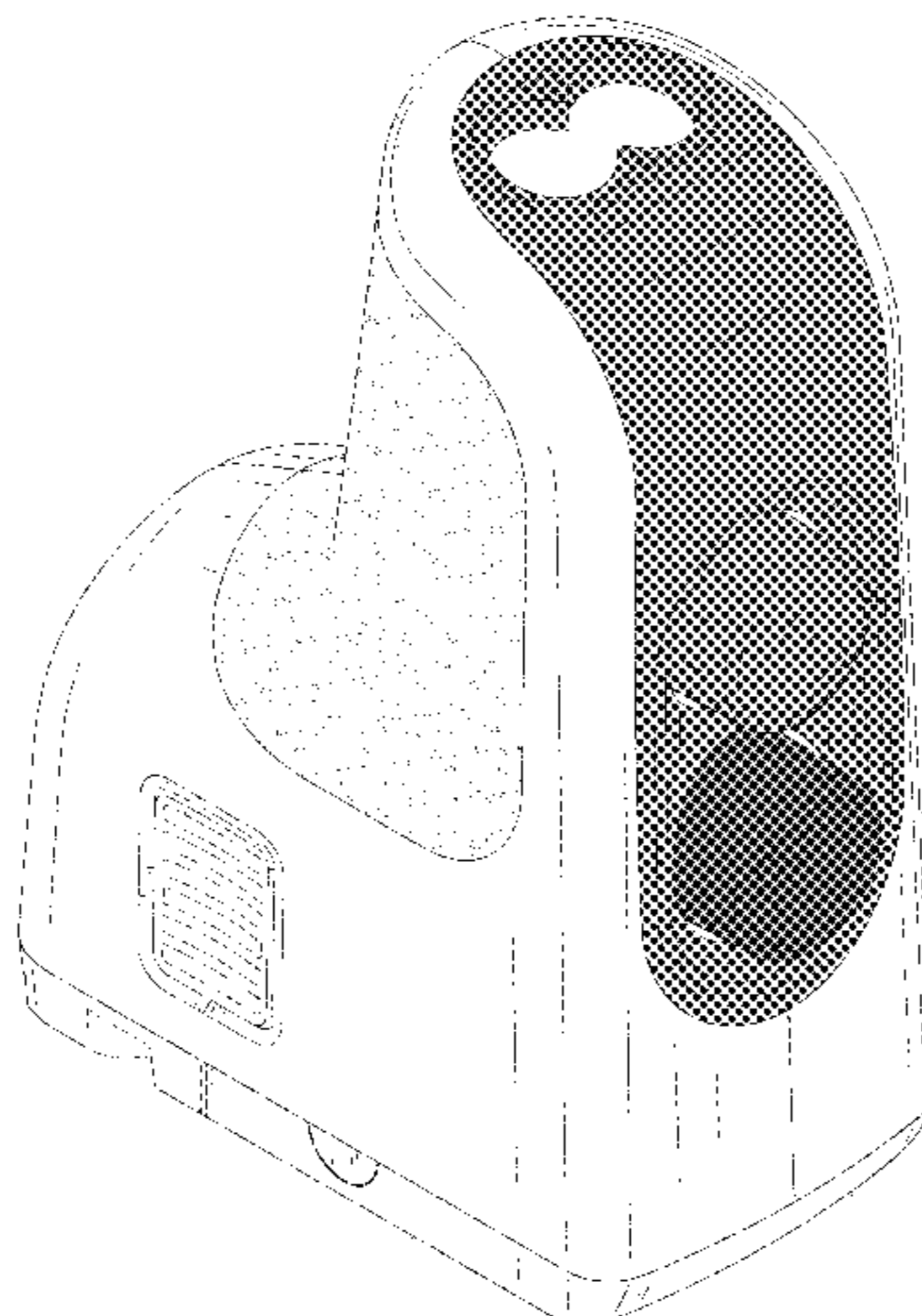
FIG. 1 is a front perspective view of a medical device showing the new design;
FIG. 2 is front elevation view of the medical device;
FIG. 3 is a rear elevation view of the medical device;
FIG. 4 is a left elevation view of the medical device;
FIG. 5 is a right elevation view of the medical device;
FIG. 6 is a top view of the medical device;
FIG. 7 is a bottom view of the medical device;
FIG. 8 is an enlarged portion of FIG. 9; and,
FIG. 9 is a top perspective view of the medical device.
FIGS. 1-9 are color drawings. Stippling is used in FIGS. 1, 3-6, and 9 to indicate a slightly textured surface treatment having the same color as the surrounding color. The broken lines in FIGS. 1-9 illustrate portions of the medical device that form no part of the claimed design.
The dash-dot lines in FIGS. 8 and 9 indicate the boundary of the enlarged portion of FIG. 9 and form no part of the claimed design.

(56) **References Cited**

U.S. PATENT DOCUMENTS

D533,274 S * 12/2006 Visconti D24/133
D630,728 S * 1/2011 Dombrowski D24/108

1 Claim, 9 Drawing Sheets
(8 of 9 Drawing Sheet(s) Filed in Color)



(56)

References Cited

U.S. PATENT DOCUMENTS

D719,651 S	*	12/2014	Hoffmann	D24/133
D720,070 S	*	12/2014	Khalaj	D24/133
D732,164 S	*	6/2015	Woloszko	D24/144
D737,981 S	*	9/2015	Biggs	D24/170
D747,801 S	*	1/2016	Kwon	D24/133
D750,258 S	*	2/2016	Crossley	D24/129
D755,383 S	*	5/2016	Pfister	D24/144
D764,655 S	*	8/2016	Klopfer	D24/108
D768,295 S	*	10/2016	Waters	D24/133
D775,728 S	*	1/2017	Cavada	D24/144
D777,326 S	*	1/2017	Sainsbury	D24/133
D779,053 S	*	2/2017	Kobida	D24/108
D780,306 S	*	2/2017	Bow	D24/112
D803,396 S	*	11/2017	Oberkircher	D24/133

* cited by examiner

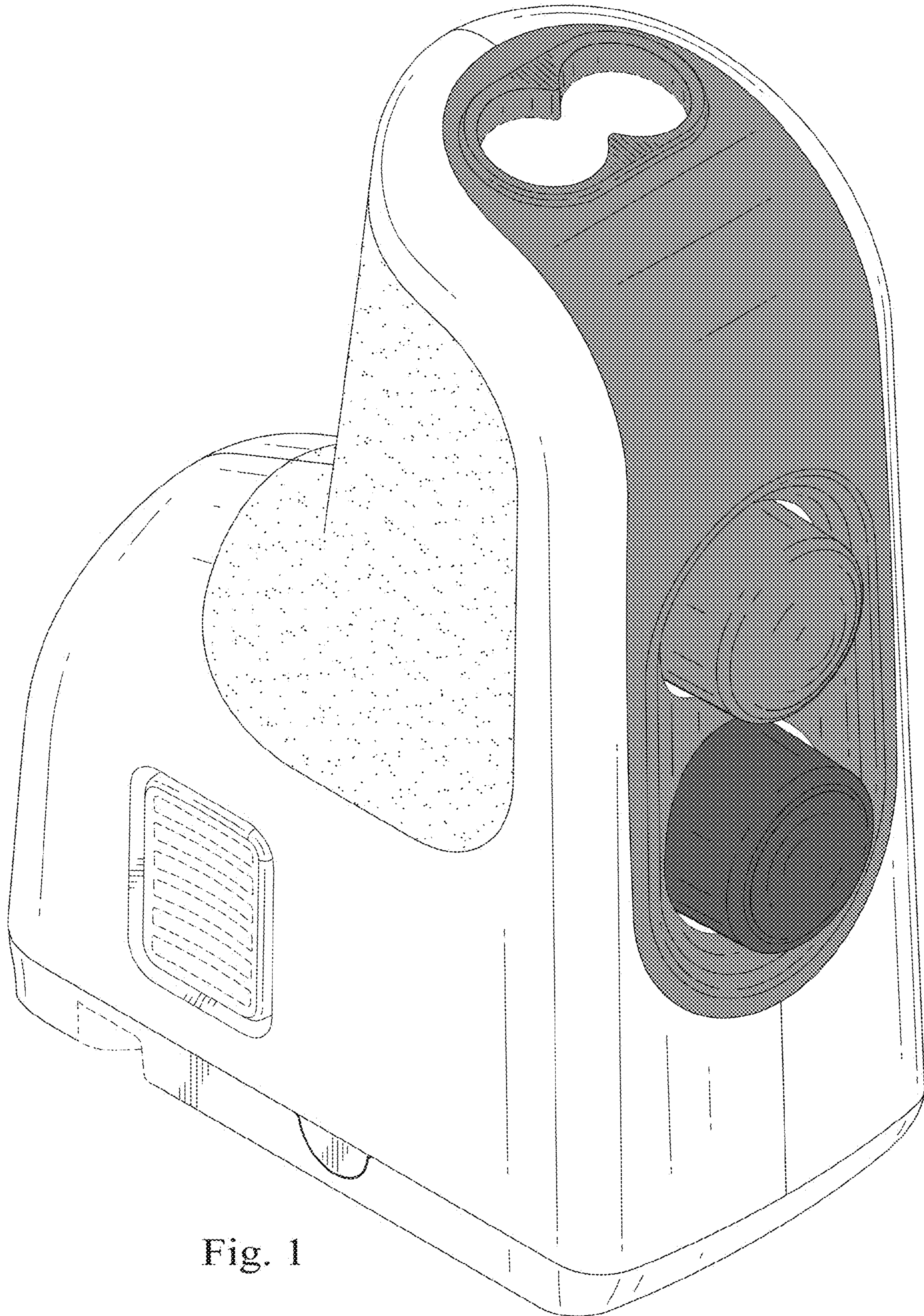


Fig. 1

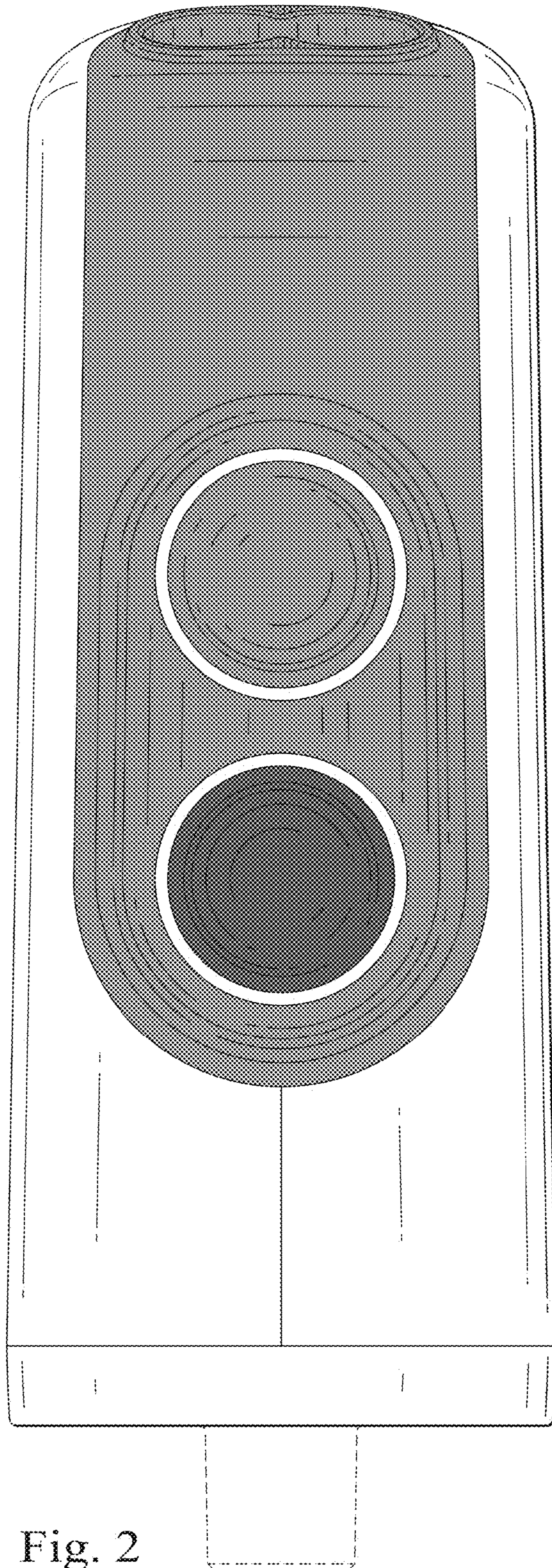


Fig. 2

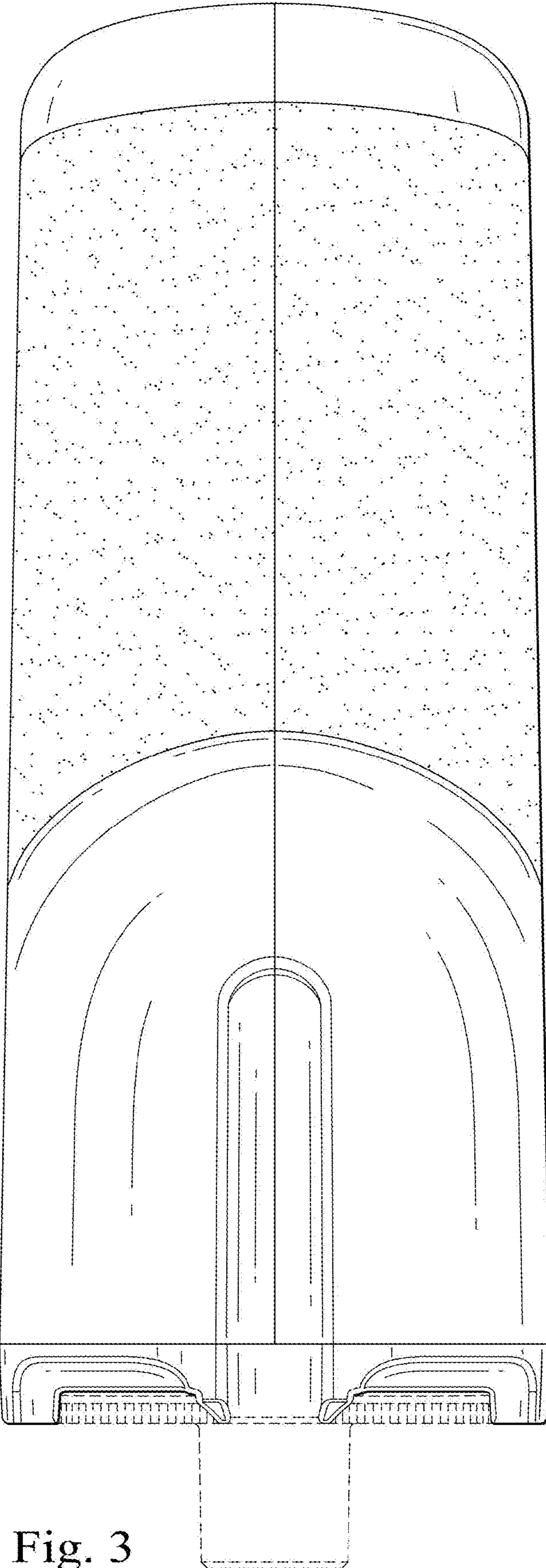


Fig. 3

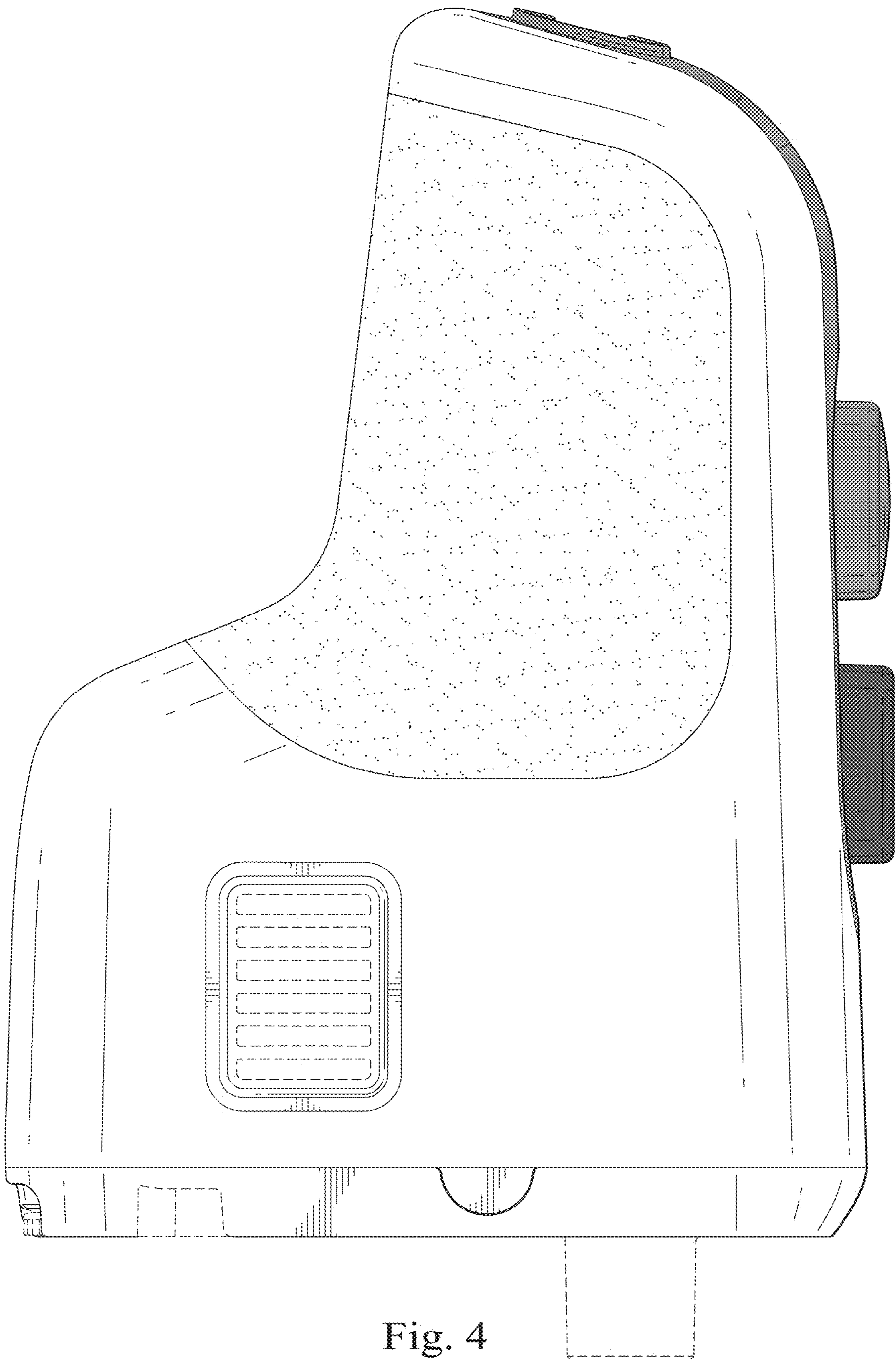


Fig. 4

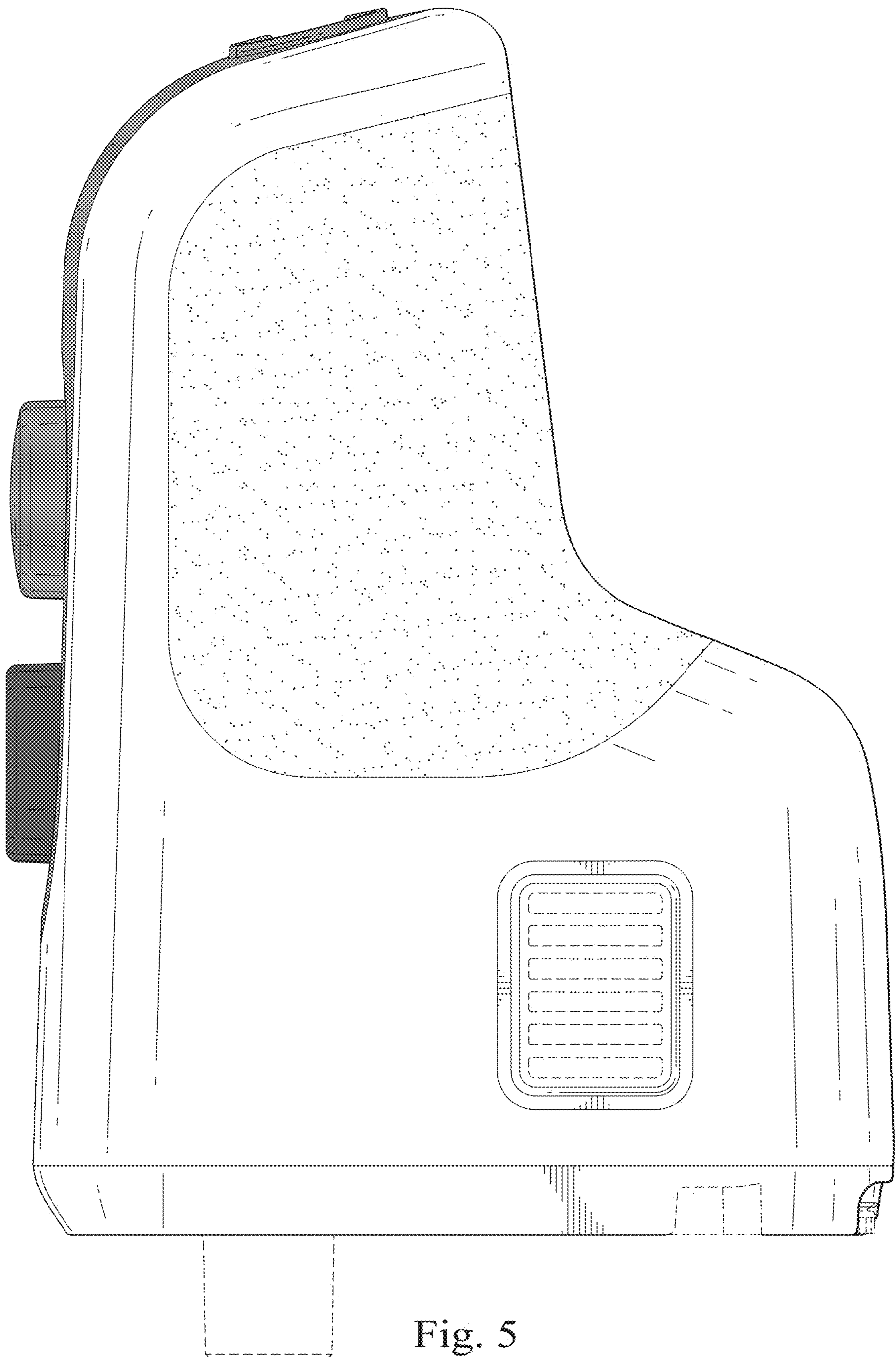


Fig. 5

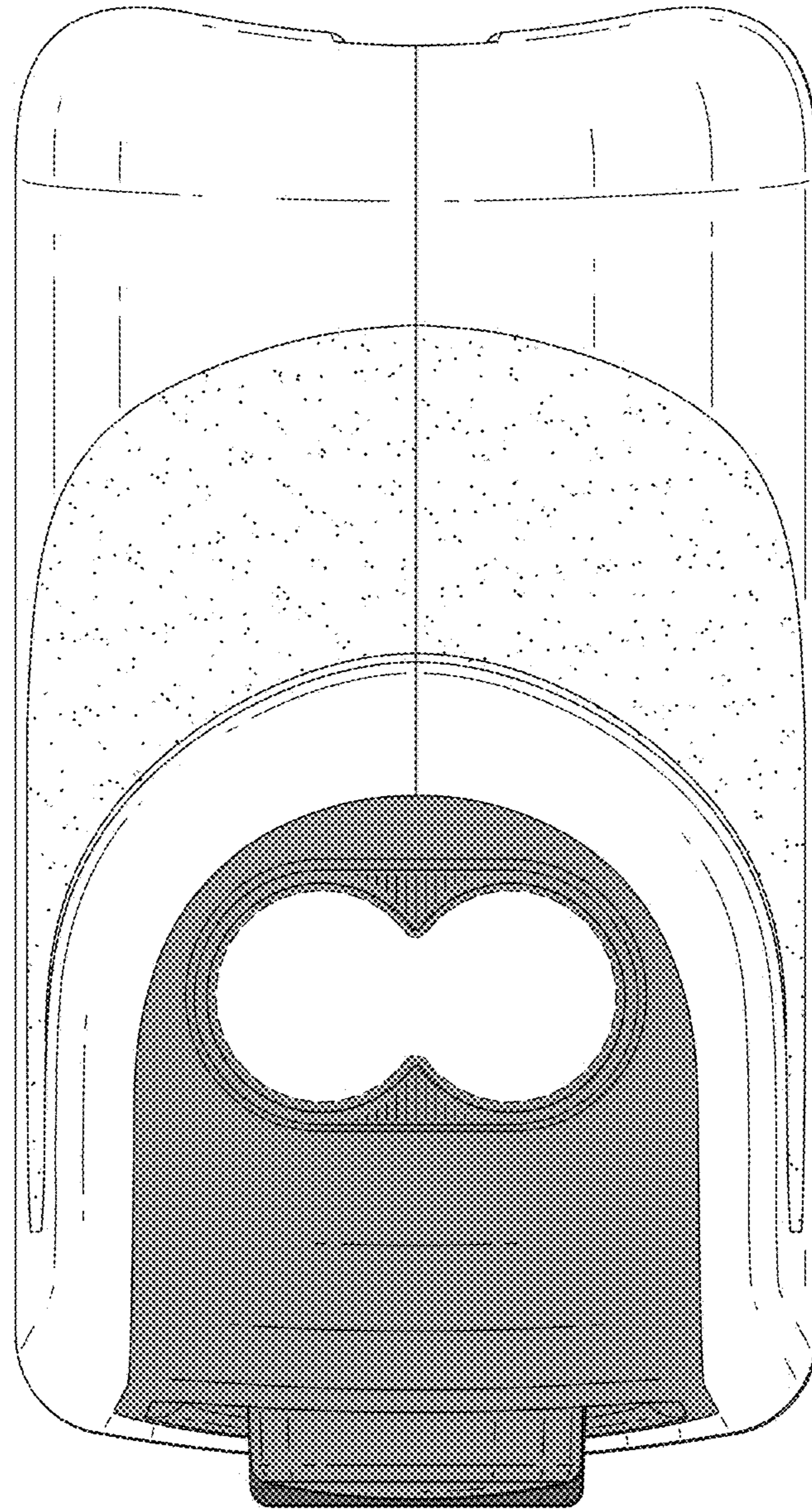


Fig. 6

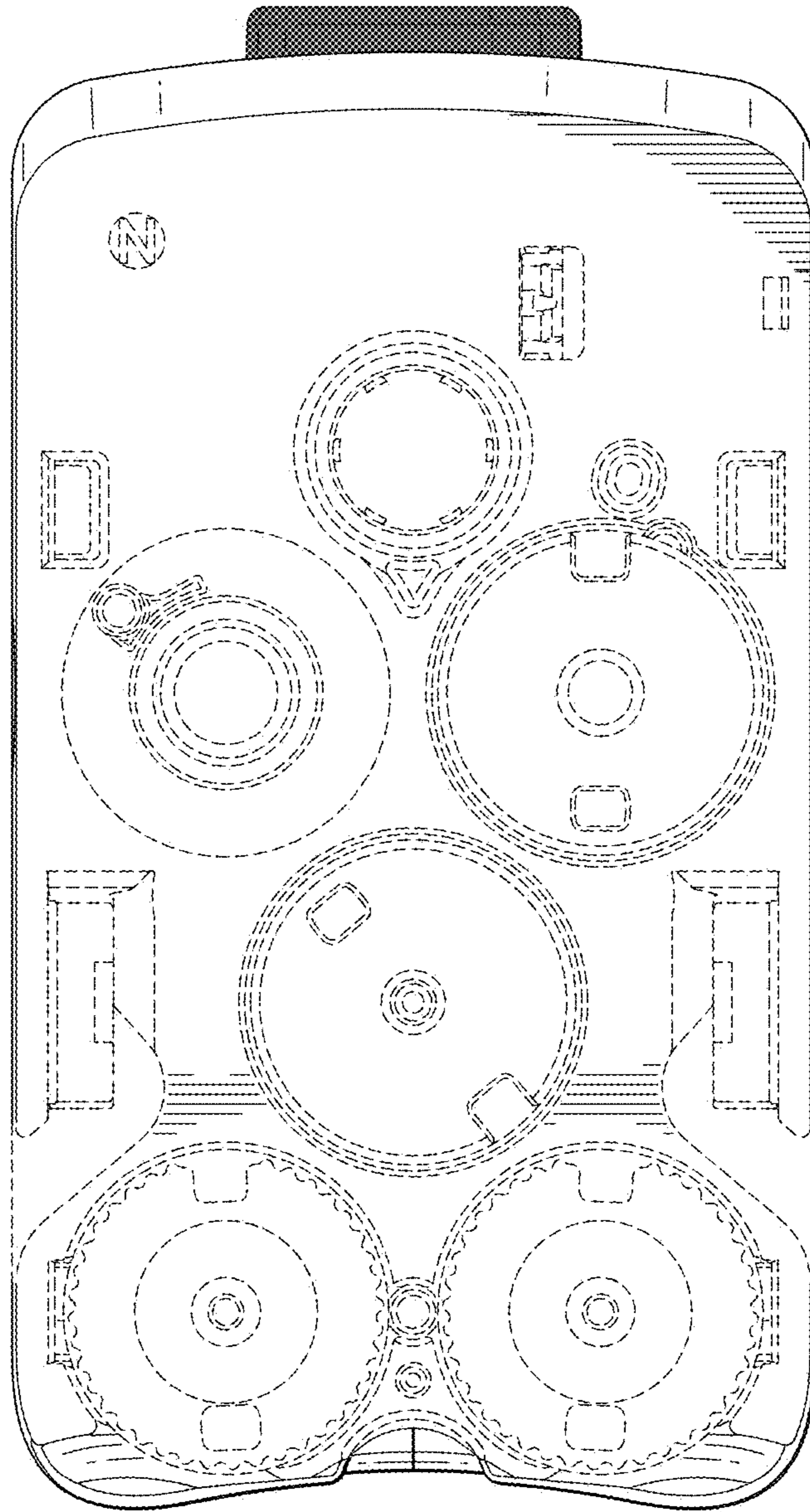


Fig. 7

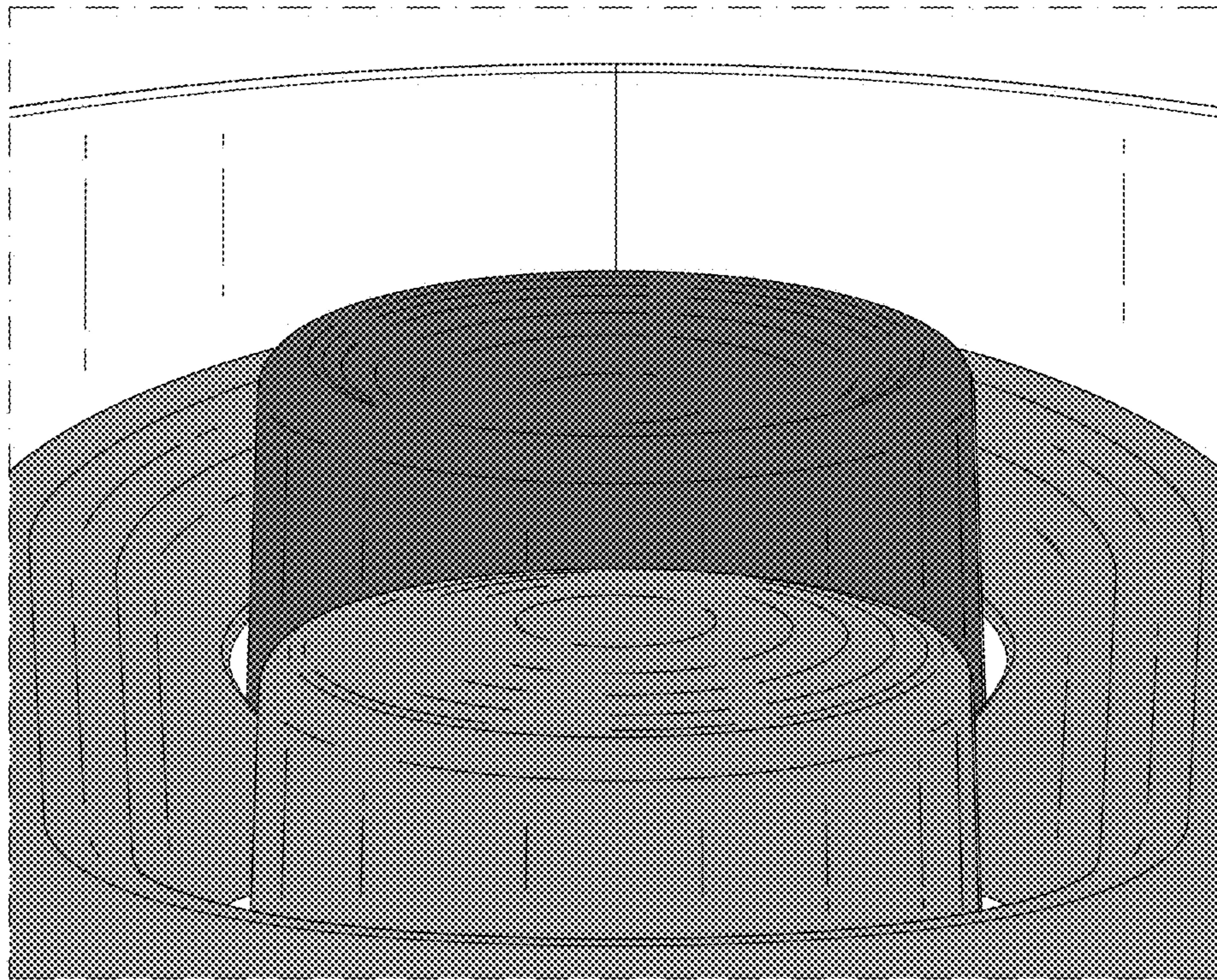


Fig. 8

Fig. 8

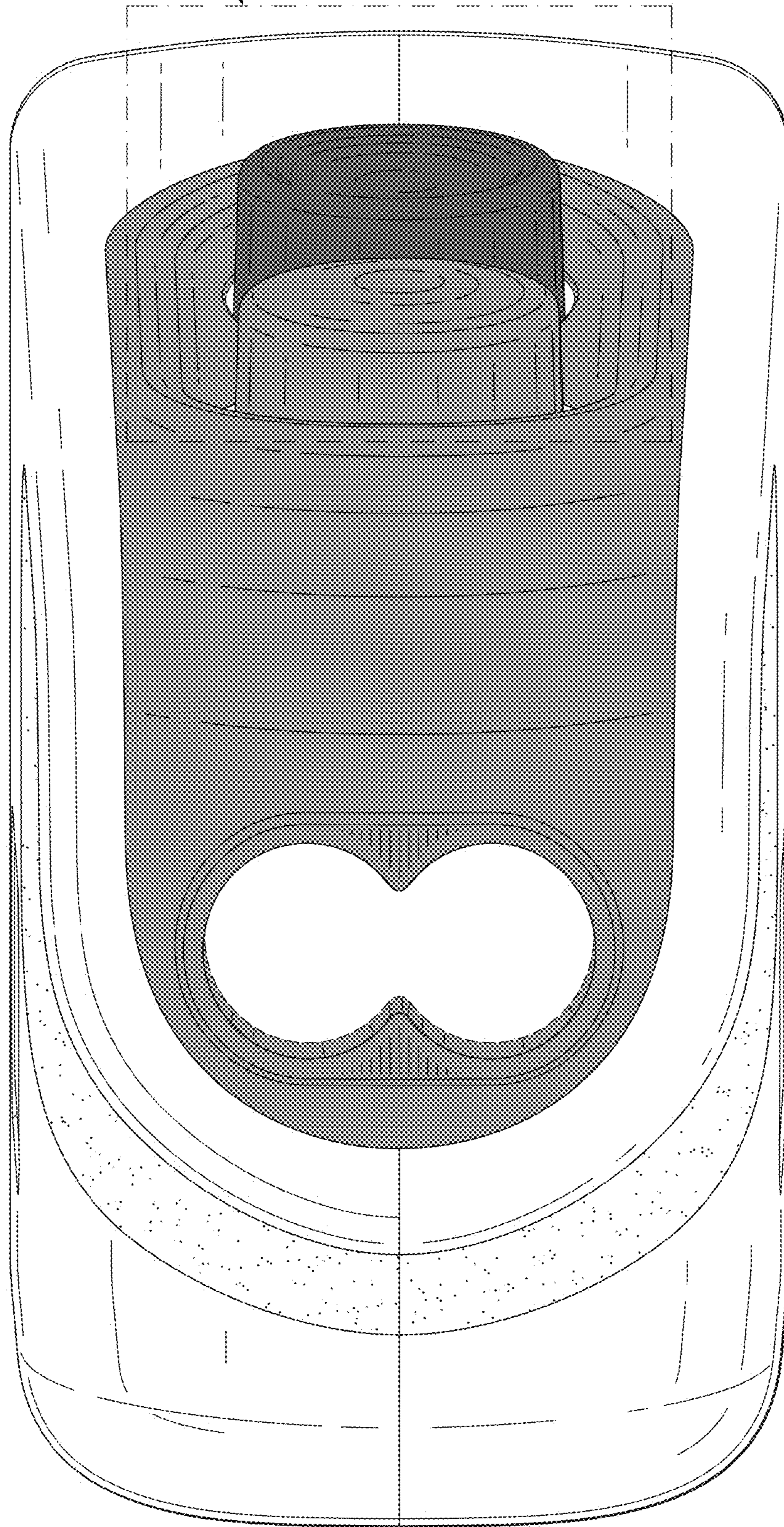


Fig. 9