



US00D884156S

(12) **United States Design Patent**
Haug et al.

(10) **Patent No.:** **US D884,156 S**

(45) **Date of Patent:** **** May 12, 2020**

(54) **VOLUMETRIC PUMP**

(71) Applicant: **Fresenius Vial SAS**, Brézins (FR)

(72) Inventors: **Andreas Haug**, Stuttgart (DE); **Moritz Rose**, Marburg (DE)

(73) Assignee: **Fresenius Vial SAS**, Brezins (FR)

(**) Term: **15 Years**

(21) Appl. No.: **29/559,483**

(22) Filed: **Mar. 29, 2016**

(30) **Foreign Application Priority Data**

Sep. 30, 2015 (EM) 002805077

(51) **LOC (12) Cl.** **24-02**

(52) **U.S. Cl.**
USPC **D24/111**

(58) **Field of Classification Search**
USPC D24/107, 108, 111, 169, 185, 186
CPC A61M 5/142; A61M 2205/502; A61M 5/1452; A61M 2205/505; A61M 2205/3331; A61M 2205/3334; A61M 5/168; A61M 5/16886

See application file for complete search history.

(56) **References Cited**

U.S. PATENT DOCUMENTS

D640,376 S *	6/2011	Amano	D24/107
D640,377 S *	6/2011	Amano	D24/107
D669,096 S *	10/2012	Katsura	D15/7
D728,779 S *	5/2015	Sabin	D24/111
D734,475 S *	7/2015	Ross	D24/185
D735,319 S *	7/2015	Sabin	D24/111
D736,370 S *	8/2015	Sabin	D24/111
D765,832 S *	9/2016	Hochman	D24/111

D767,756 S *	9/2016	Sabin	D24/111
D801,519 S *	10/2017	Sabin	D24/108
D804,017 S *	11/2017	Sabin	D24/111
D805,183 S *	12/2017	Sabin	D24/108
D812,218 S *	3/2018	Lacy	D24/111
2014/0058351 A1 *	2/2014	Pope	A61M 5/1452 604/500
2015/0202362 A1 *	7/2015	Wolff	A61M 5/14228 604/152
2015/0275887 A1 *	10/2015	Koyama	F04B 43/08 417/476
2017/0203032 A1 *	7/2017	Dowden	A61M 5/168
2017/0258985 A1 *	9/2017	Adams	A61M 5/1452
2017/0326293 A1 *	11/2017	Sims	A61M 5/1458
2018/0043088 A1 *	2/2018	Adams	A61M 5/145

* cited by examiner

Primary Examiner — Lilyana Bekic

(74) *Attorney, Agent, or Firm* — Cook Alex Ltd.

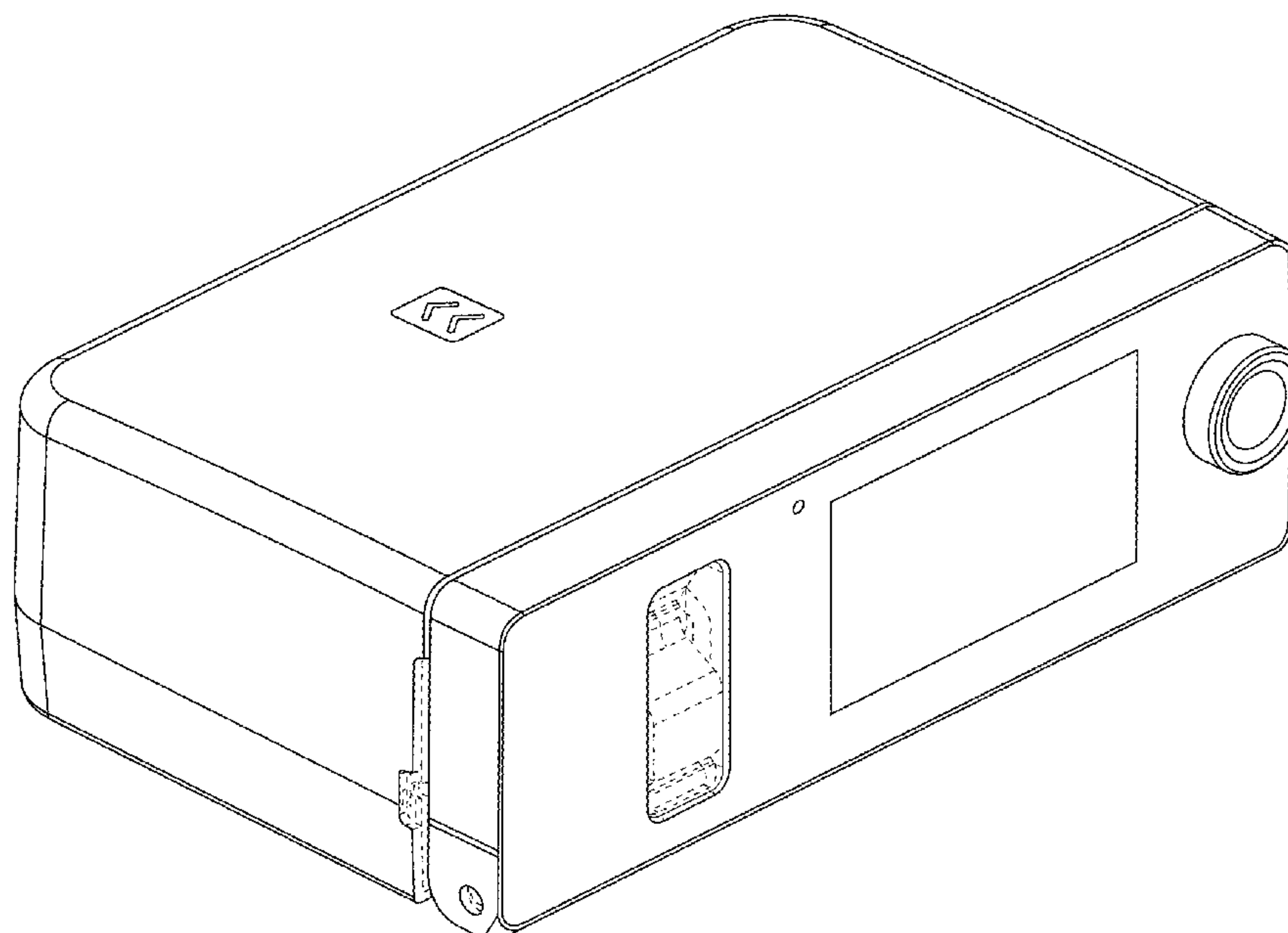
(57) **CLAIM**

The ornamental design for a volumetric pump, as shown and described.

DESCRIPTION

FIG. 1 is a first front perspective view of a volumetric pump showing our new design;
 FIG. 2 is a second front perspective view thereof;
 FIG. 3 is a first rear perspective view thereof;
 FIG. 4 is a second rear perspective view thereof;
 FIG. 5 is a front elevational view thereof;
 FIG. 6 a rear elevational view thereof;
 FIG. 7 is a right side elevational view thereof;
 FIG. 8 is a left side elevational view thereof;
 FIG. 9 is top plan view thereof; and,
 FIG. 10 is a bottom plan view thereof.
 The bottom of the volumetric pump in FIG. 10 adjacent to the solid line perimeter forms no part of the claimed design.

1 Claim, 10 Drawing Sheets



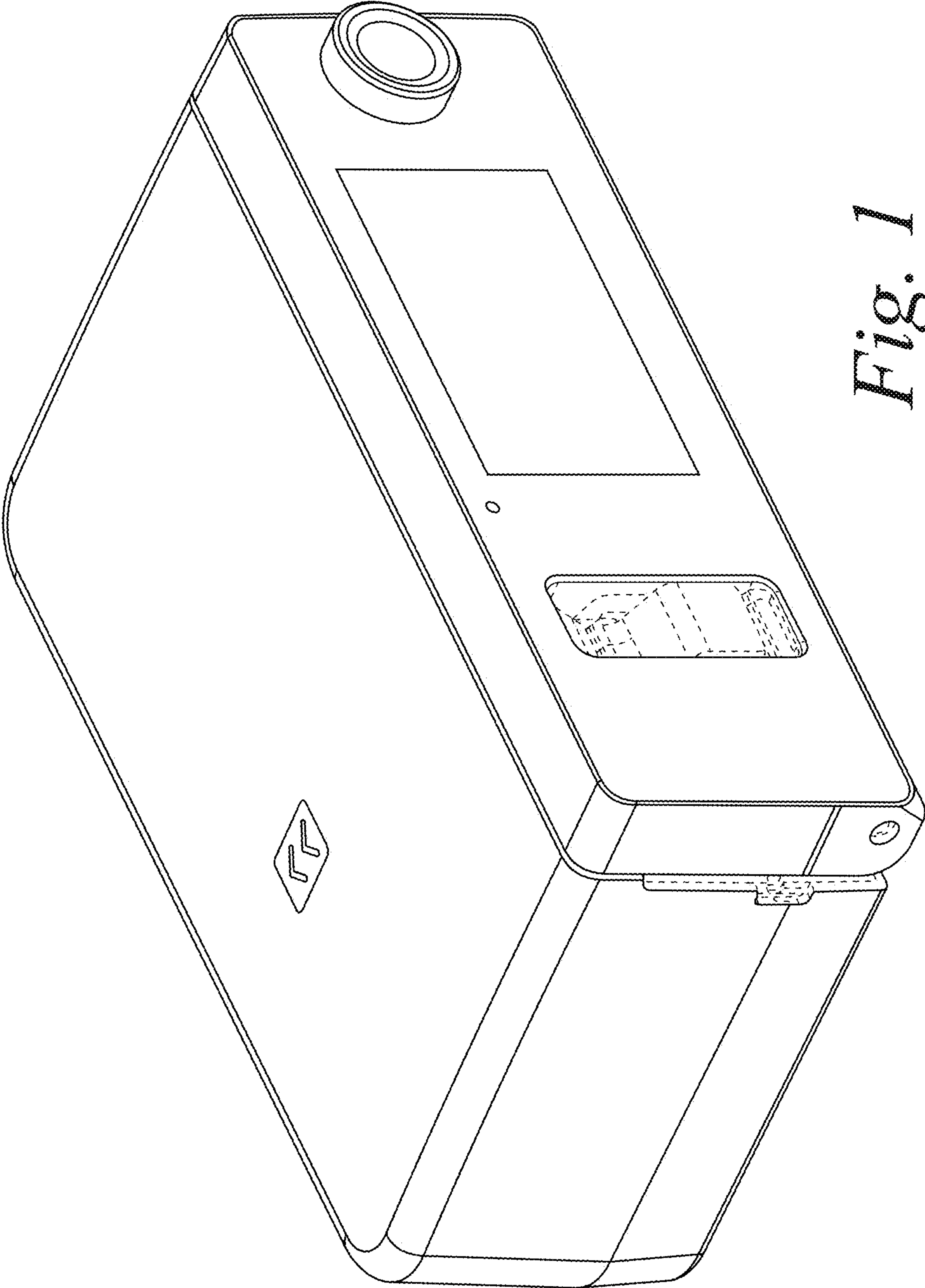


Fig. 1

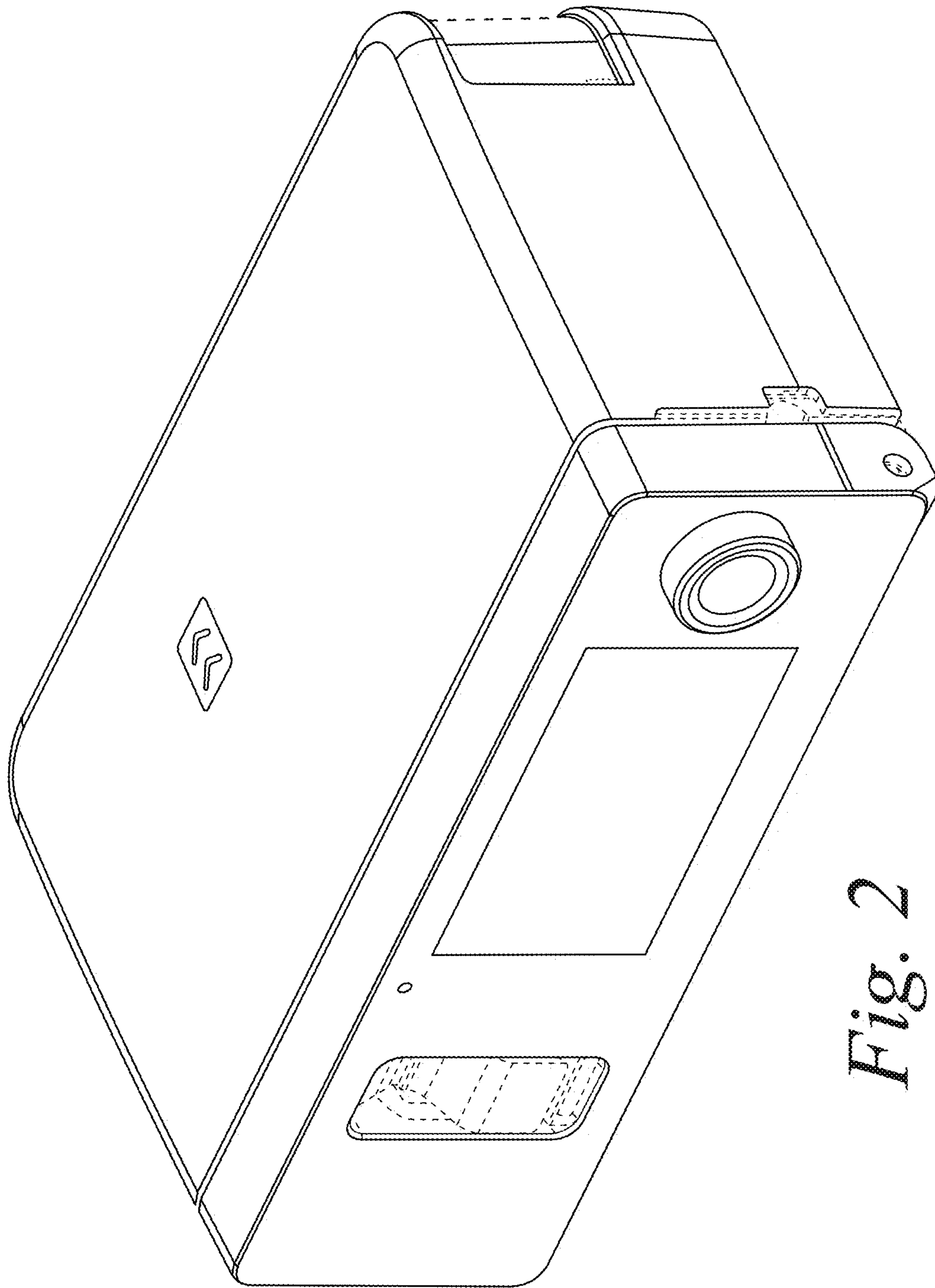


Fig. 2

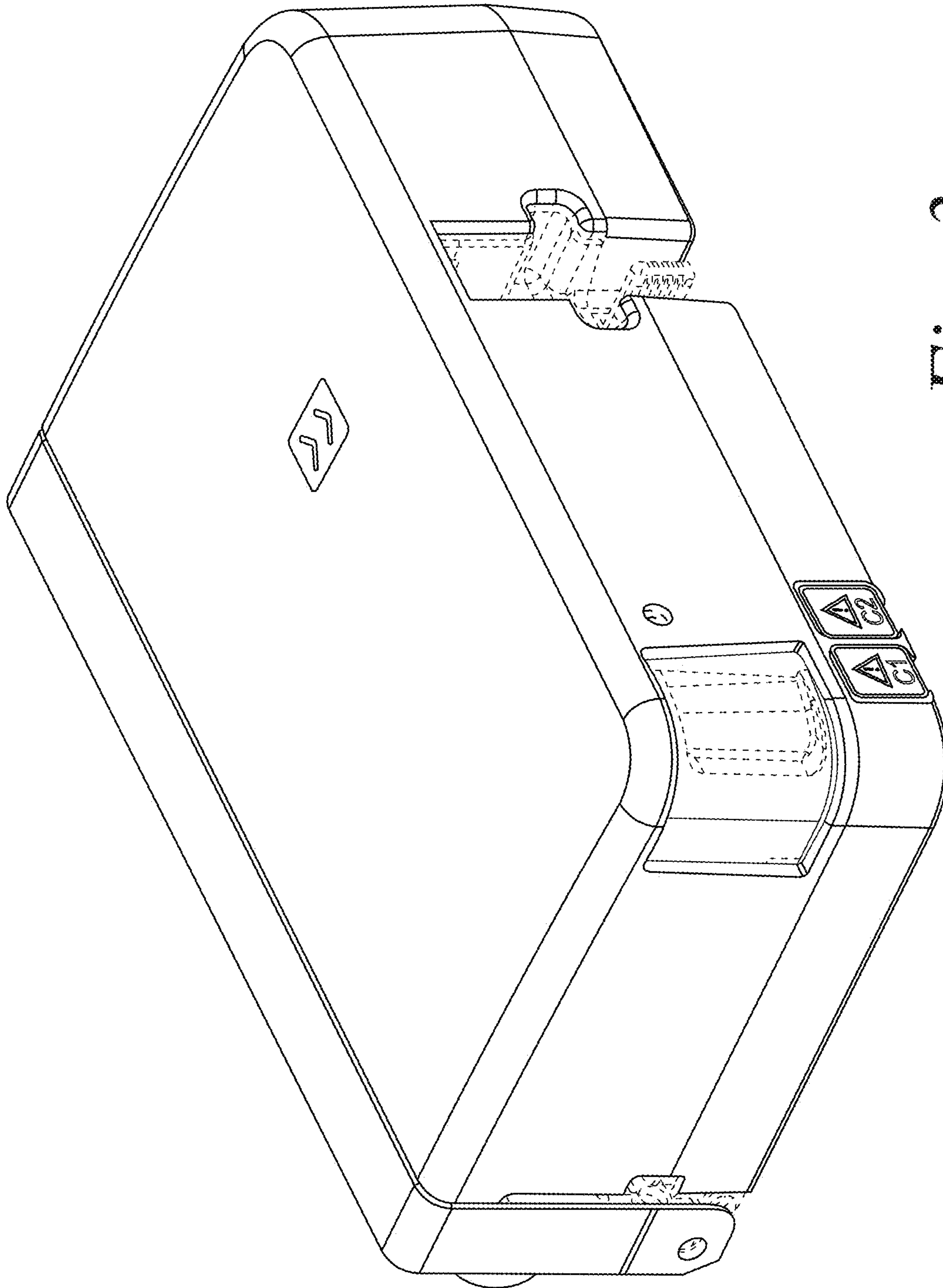


Fig. 3

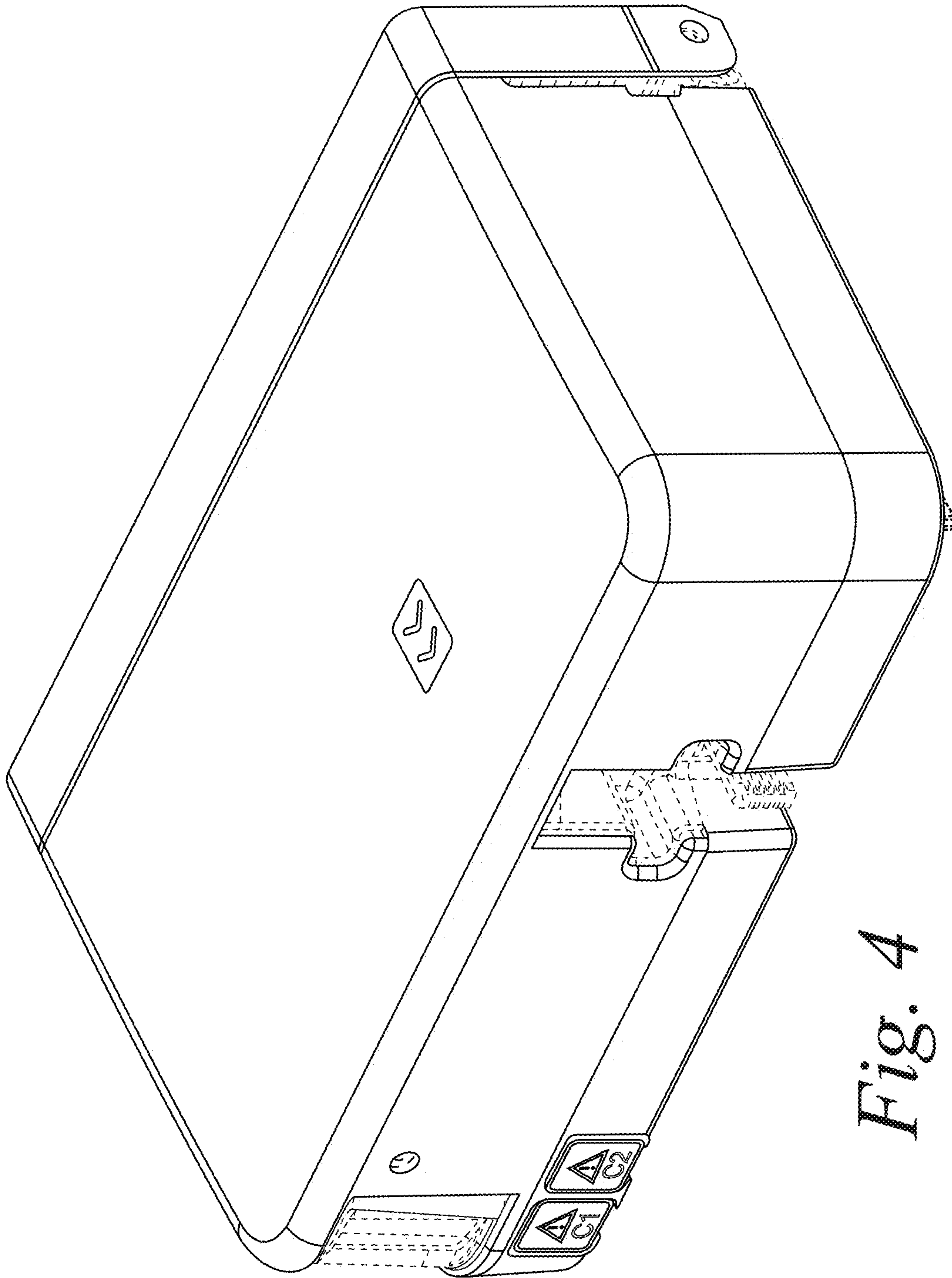


Fig. 4

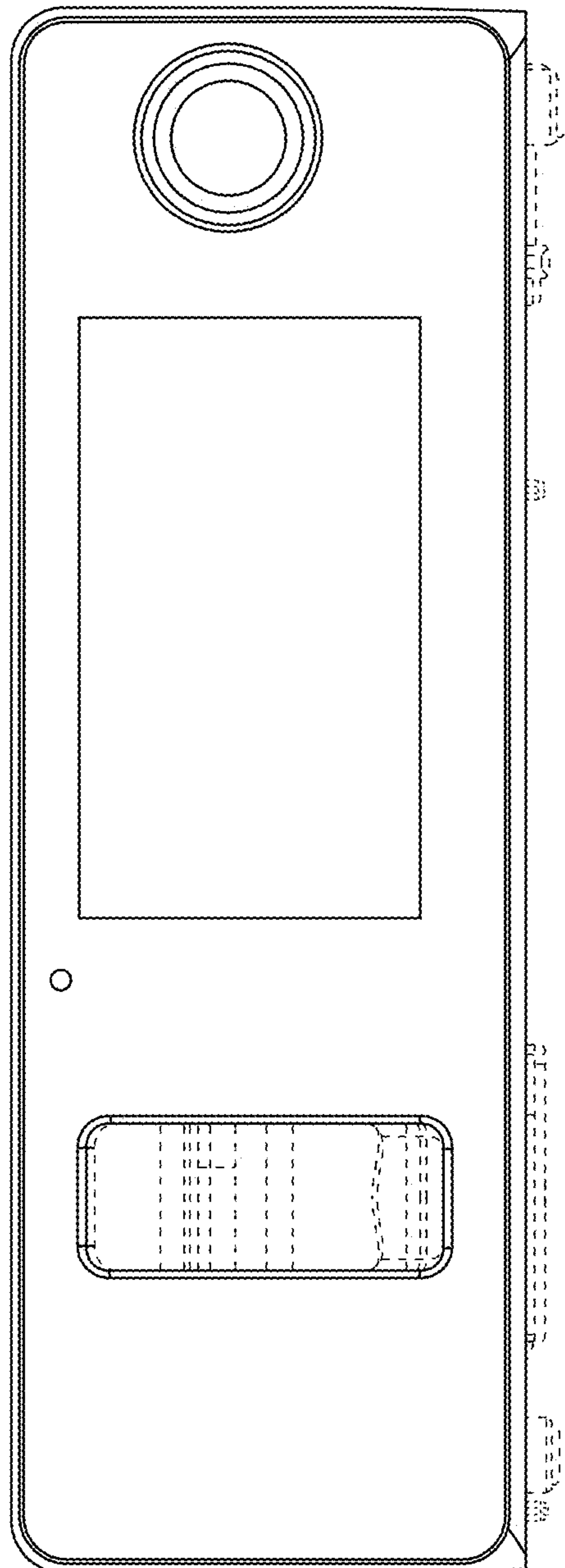


Fig. 5

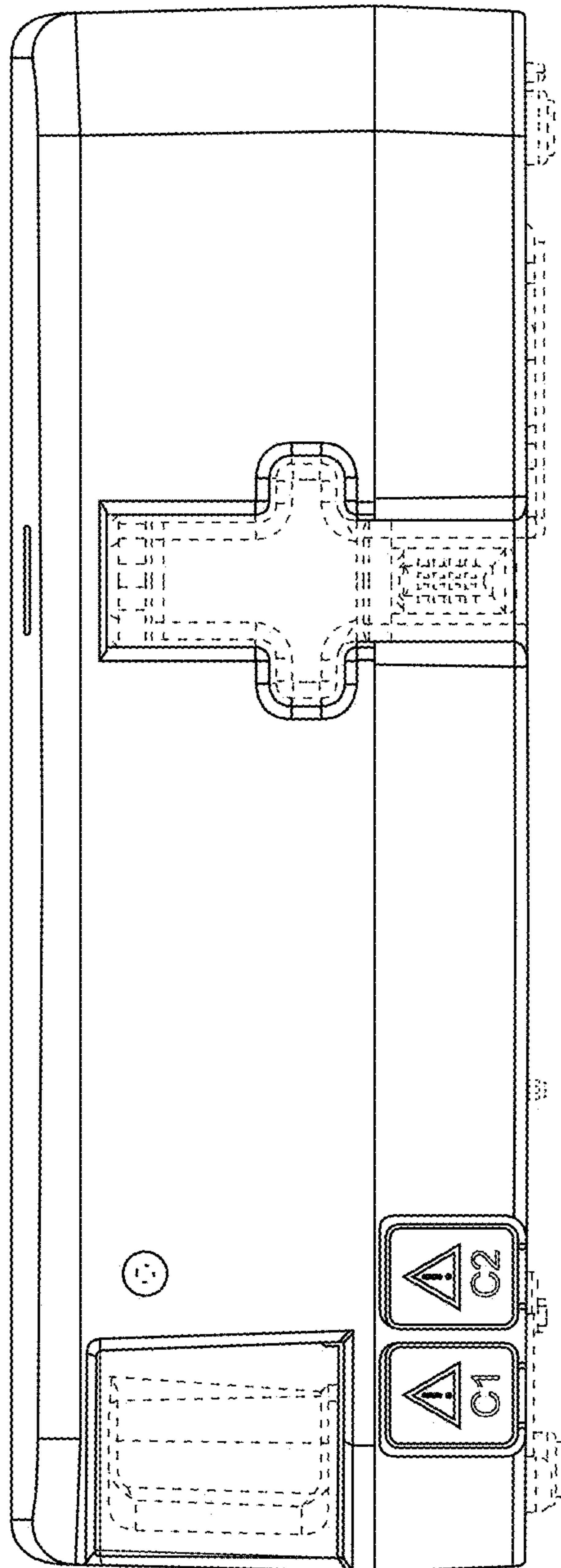


Fig. 6

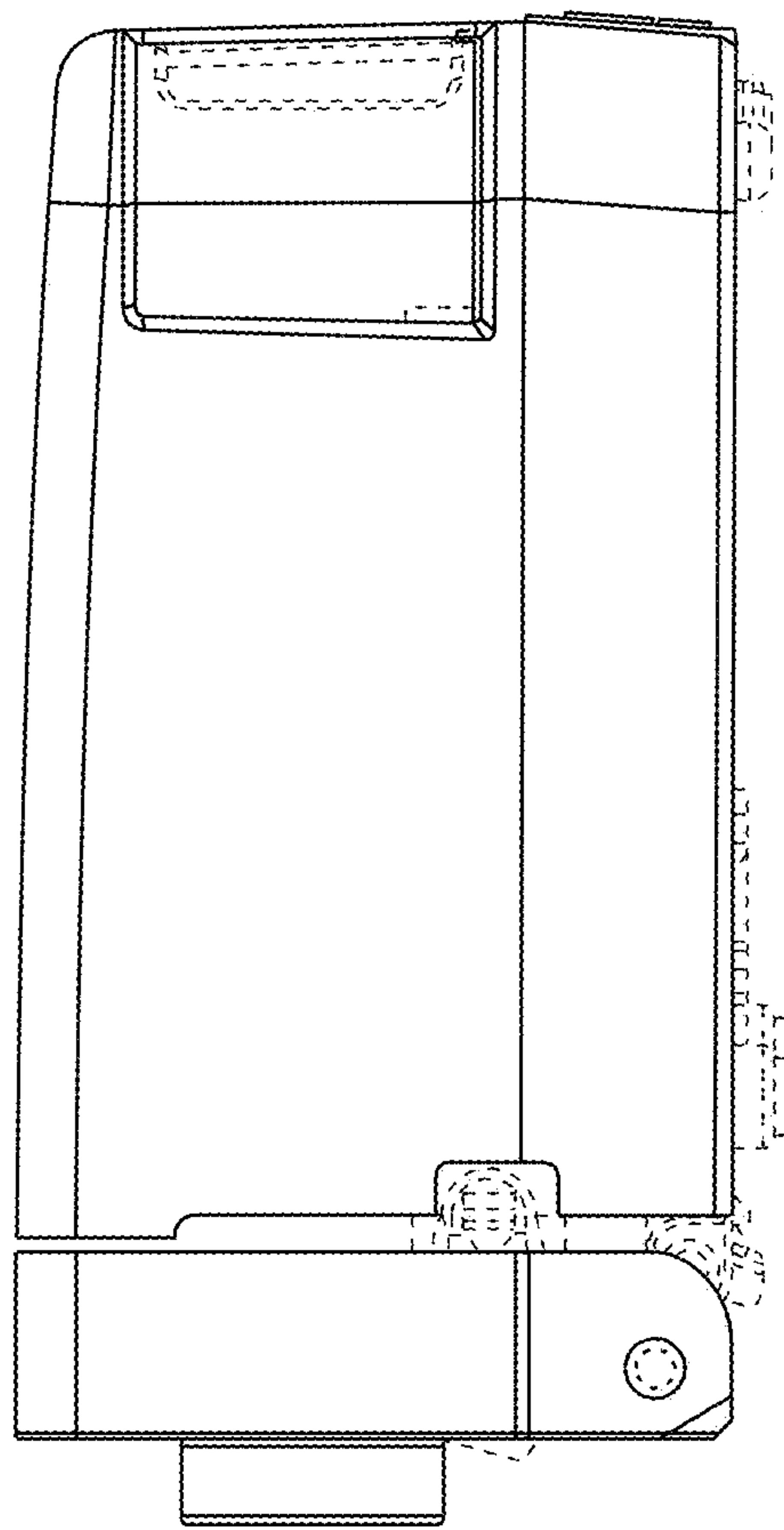


Fig. 7

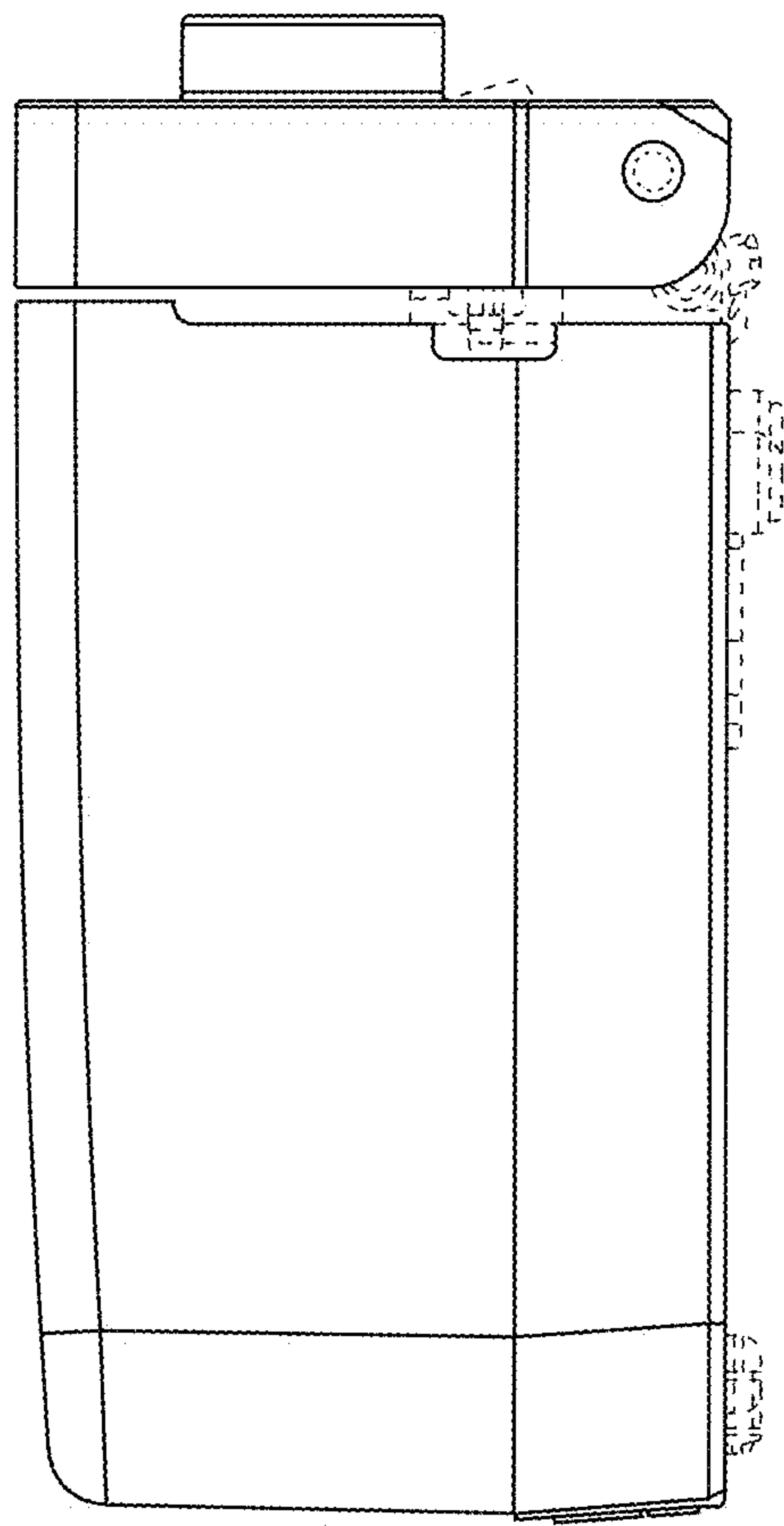


Fig. 8

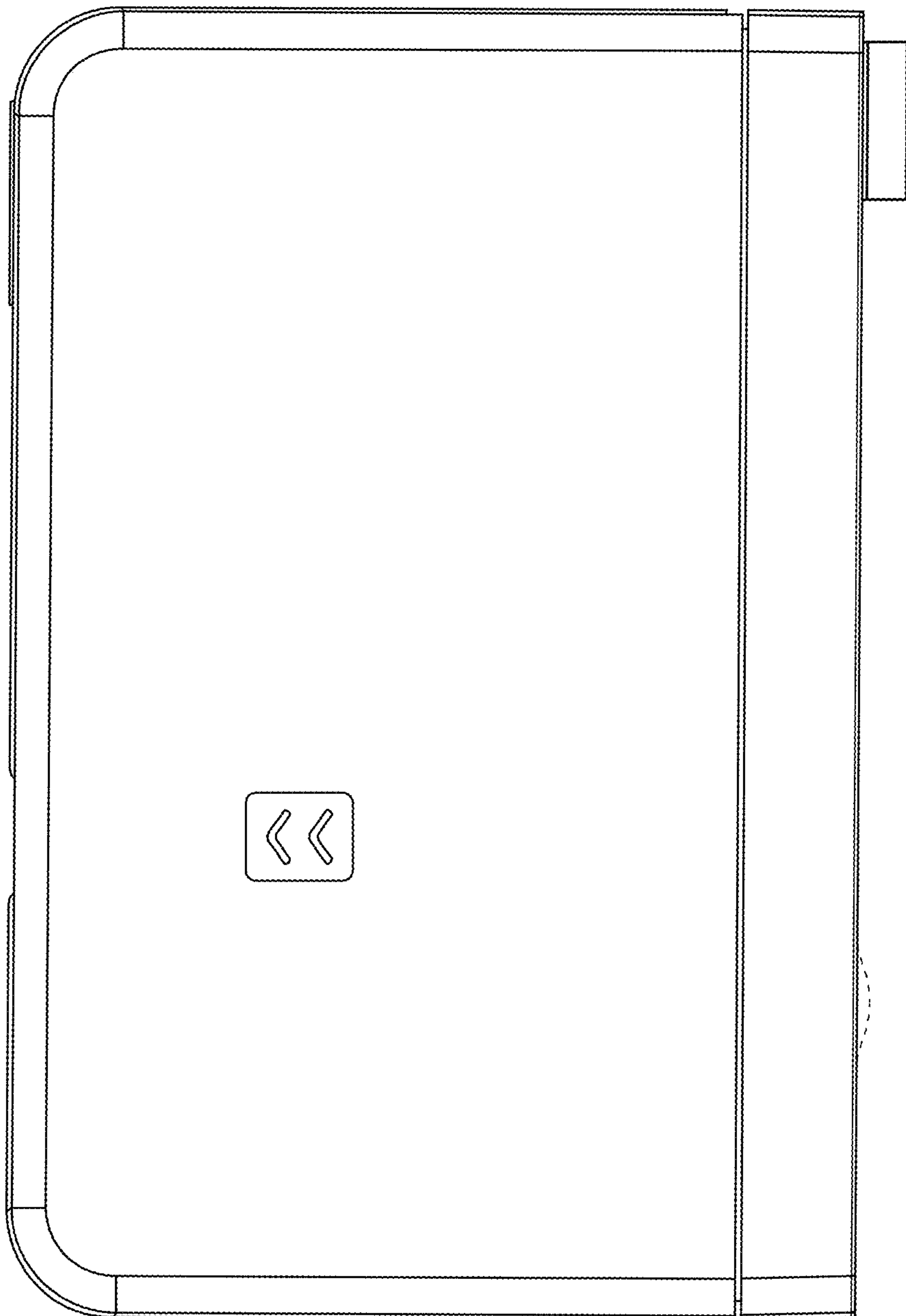


Fig. 9

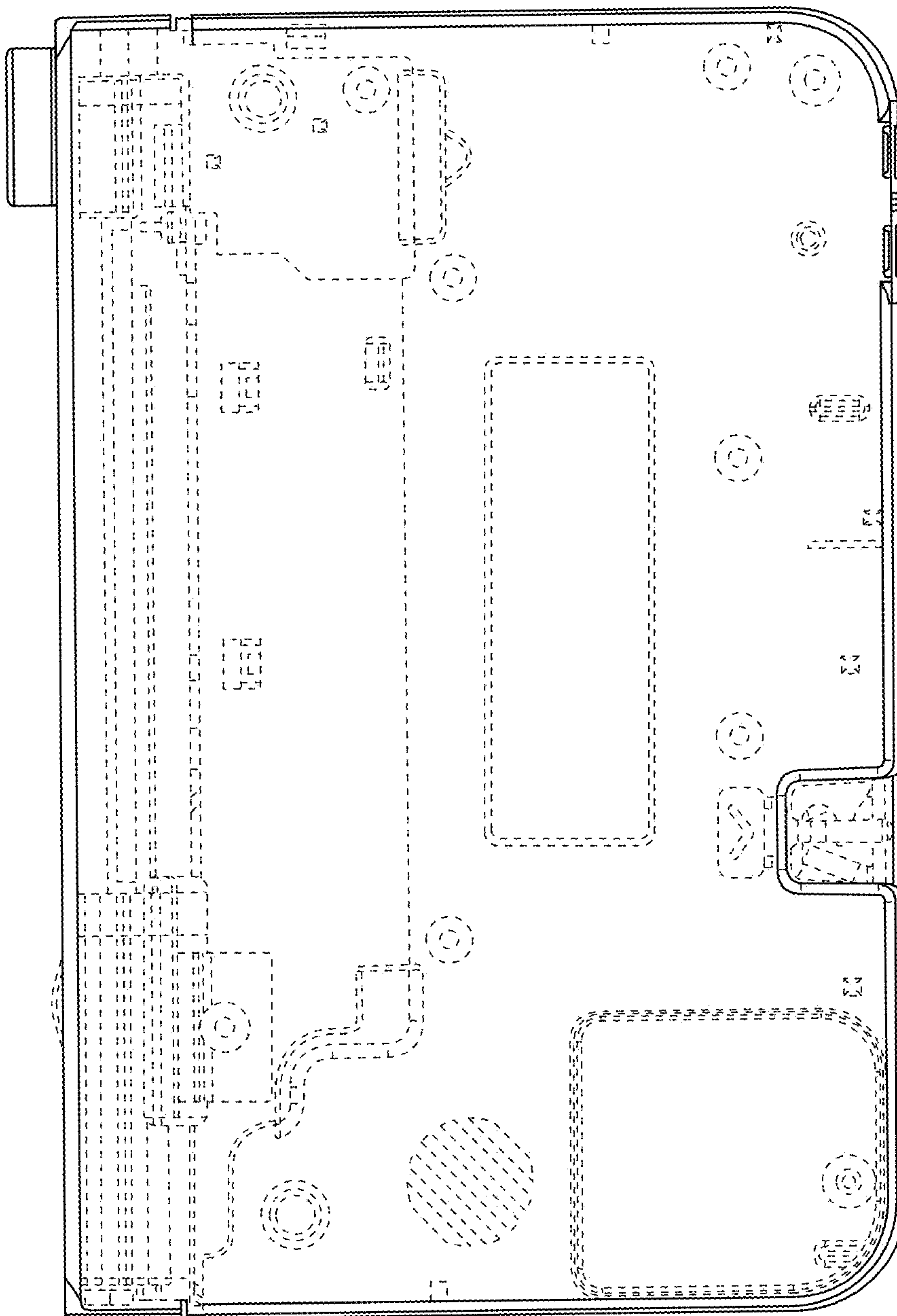


Fig. 10