



US00D884155S

(12) **United States Design Patent**  
**Pellerin de Beauvais**

(10) **Patent No.:** **US D884,155 S**

(45) **Date of Patent:** **\*\* May 12, 2020**

- (54) **LARYNGEAL MASK**
- (71) Applicant: **CONSUMABLES MEDICAL  
PACIFIC INDUSTRIES LIMITED,**  
Central, Hong Kong (HK)
- (72) Inventor: **Gilles Pellerin de Beauvais,** Hong  
Kong (HK)
- (73) Assignee: **CONSUMABLES MEDICAL  
PACIFIC INDUSTRIES LIMITED,**  
Hong Kong (HK)

- 5,297,547 A \* 3/1994 Brain ..... A61M 16/0409  
128/207.14
- 5,623,921 A \* 4/1997 Kinsinger ..... A61M 16/04  
128/200.26
- 6,698,428 B2 \* 3/2004 Brain ..... A61M 16/04  
128/207.14
- 7,159,589 B2 \* 1/2007 Brain ..... A61M 16/04  
128/207.14
- D710,990 S \* 8/2014 Brain ..... A61M 16/0415  
D24/110.5
- D827,808 S \* 9/2018 Xiao ..... D24/110
- 2004/0112388 A1 \* 6/2004 Russell ..... A61M 16/04  
128/207.14
- 2004/0200479 A1 \* 10/2004 Chang ..... A61M 16/04  
128/207.14

(\*\*) Term: **15 Years**

(Continued)

(21) Appl. No.: **29/647,234**

(22) Filed: **May 10, 2018**

(30) **Foreign Application Priority Data**

Nov. 10, 2017 (EM) ..... 004502078-0001

(51) **LOC (12) Cl.** ..... **29-02**

(52) **U.S. Cl.**  
USPC ..... **D24/110.5**

(58) **Field of Classification Search**  
USPC ..... D24/110, 110.1, 110.4-110.5, 112, 164  
CPC ..... A61M 16/0409; A61M 16/04; A61M  
16/0447; A61M 16/0415; A61M 16/0488;  
A61M 16/0463; A61M 16/0434; A61M  
16/0411

See application file for complete search history.

(56) **References Cited**

**U.S. PATENT DOCUMENTS**

- 4,509,514 A \* 4/1985 Brain ..... A61M 16/0409  
128/207.15
- 4,995,388 A \* 2/1991 Brain ..... A61M 16/04  
128/207.15
- 5,282,464 A \* 2/1994 Brain ..... A61B 5/14552  
128/207.15

**FOREIGN PATENT DOCUMENTS**

- EP 1 613 384 B1 1/2006
- WO 2015049582 A1 4/2015

*Primary Examiner* — Lilyana Bekic

(74) *Attorney, Agent, or Firm* — Young & Thompson

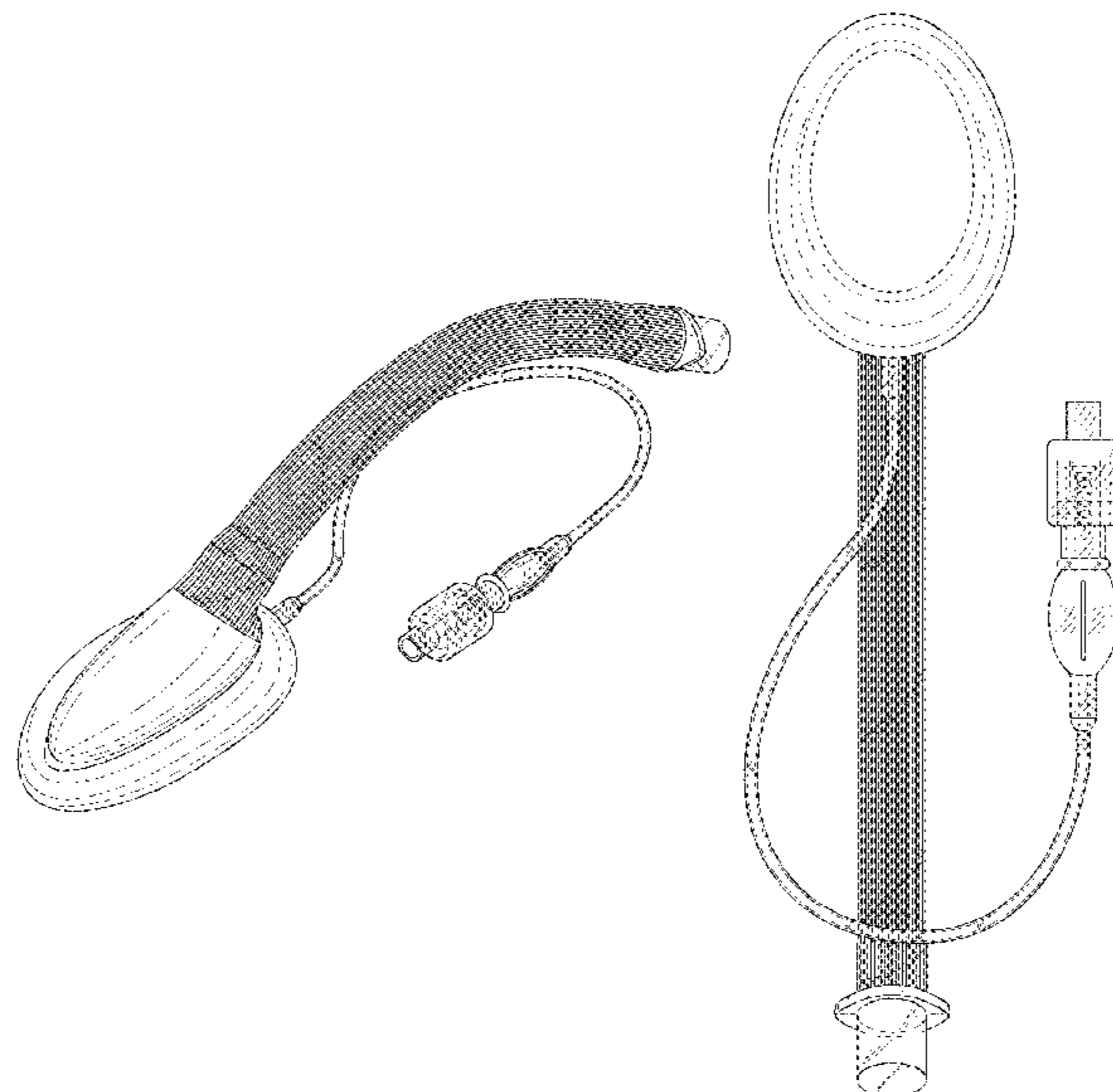
(57) **CLAIM**

The ornamental design for a laryngeal mask, as shown and described.

**DESCRIPTION**

FIG. 1 is a front, right side, and top perspective view of a laryngeal mask showing the new design; FIG. 2 is a front elevation view thereof; FIG. 3 is a rear elevation view thereof; FIG. 4 is a left side elevation view thereof; FIG. 5 is a right side elevation view thereof; FIG. 6 is a top plan view thereof; and, FIG. 7 is a bottom plan view thereof. The broken lines shown in the drawings illustrate portions of the laryngeal mask that from no part of the claimed design.

**1 Claim, 7 Drawing Sheets**



(56)

**References Cited**

U.S. PATENT DOCUMENTS

2005/0051173 A1\* 3/2005 Brain ..... A61M 16/0445  
128/207.14  
2005/0199244 A1\* 9/2005 Tateo ..... A61M 16/04  
128/207.15  
2006/0201516 A1\* 9/2006 Petersen ..... A61M 16/0415  
128/207.14  
2007/0068532 A1\* 3/2007 Le ..... A61M 16/044  
128/207.15  
2007/0246050 A1\* 10/2007 Parikh ..... A61M 16/04  
128/207.15  
2008/0066762 A1\* 3/2008 Cook ..... A61M 16/04  
128/207.15  
2008/0257356 A1\* 10/2008 Swick ..... A61M 16/04  
128/207.14  
2009/0000622 A1\* 1/2009 Murray ..... A61M 16/0443  
128/206.21  
2010/0089393 A1\* 4/2010 Brain ..... A61M 16/04  
128/203.12  
2010/0300450 A1\* 12/2010 Barodka ..... A61M 16/0461  
128/207.18  
2012/0024285 A1\* 2/2012 Dashawetz ..... A61M 16/04  
128/200.26  
2013/0125898 A1\* 5/2013 Song ..... A61M 16/04  
128/207.15  
2014/0014113 A1\* 1/2014 Ali ..... A61M 16/0434  
128/207.15  
2015/0128946 A1\* 5/2015 Stix ..... A61M 16/0486  
128/204.18

\* cited by examiner

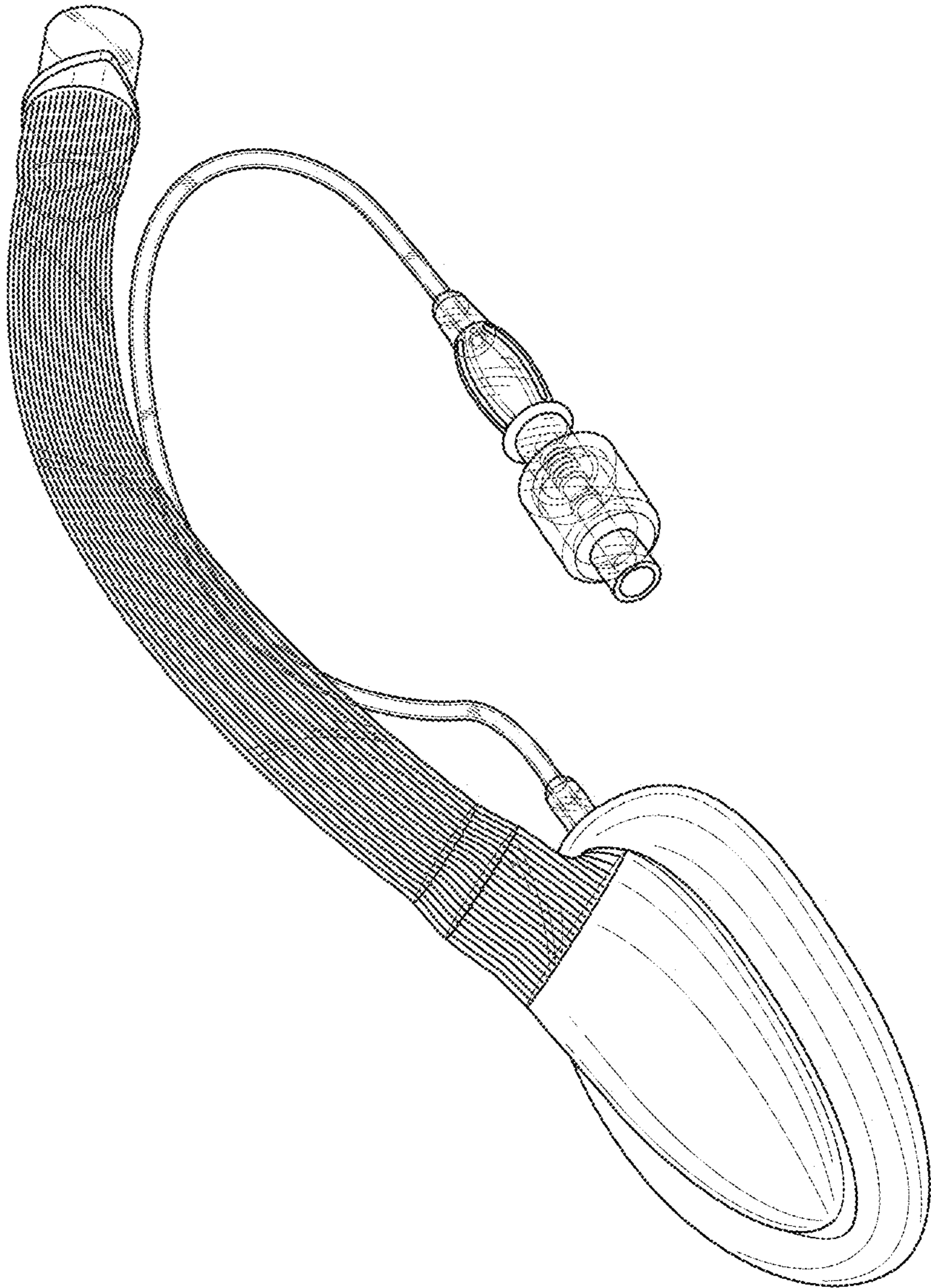


FIG. 1

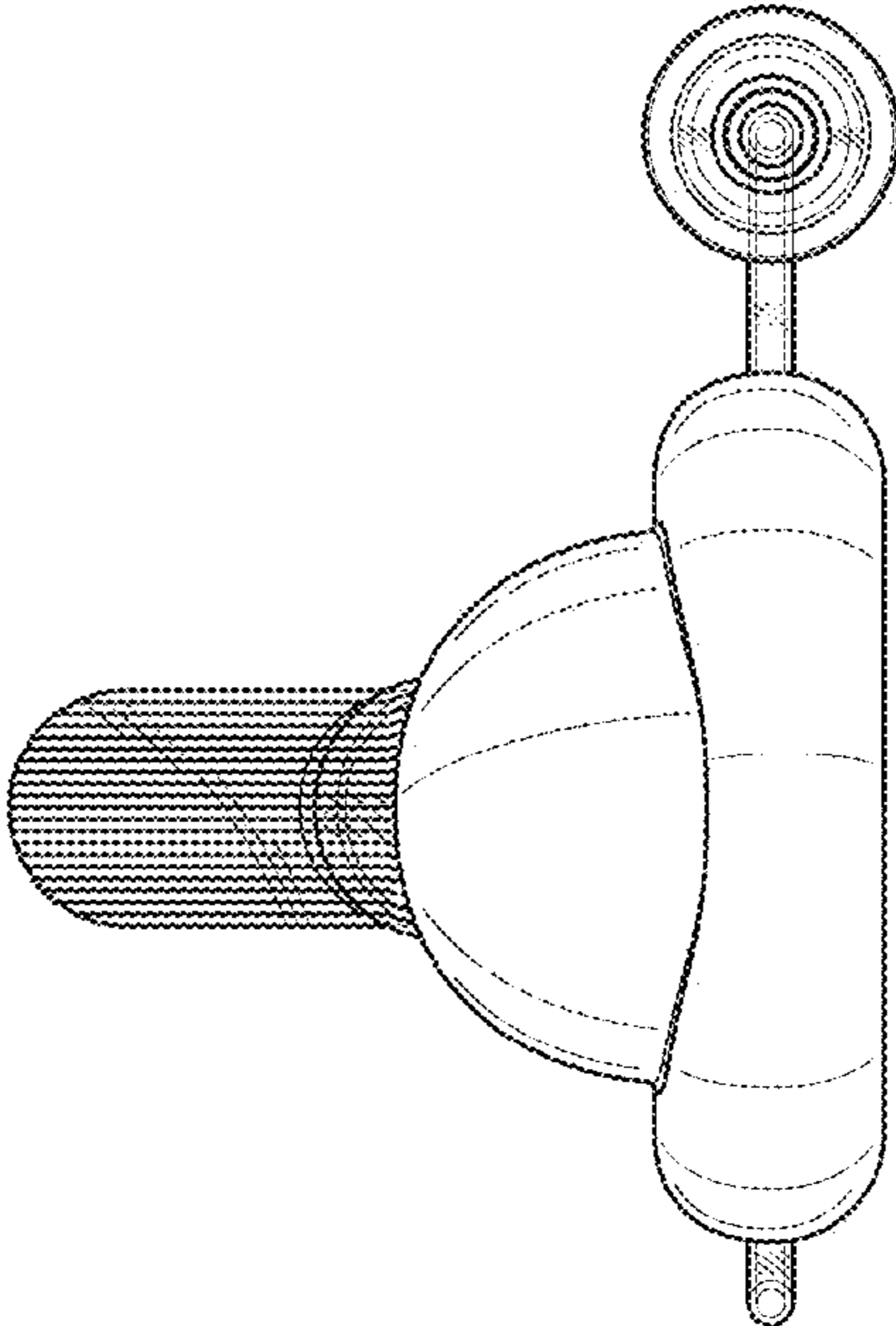


FIG. 2

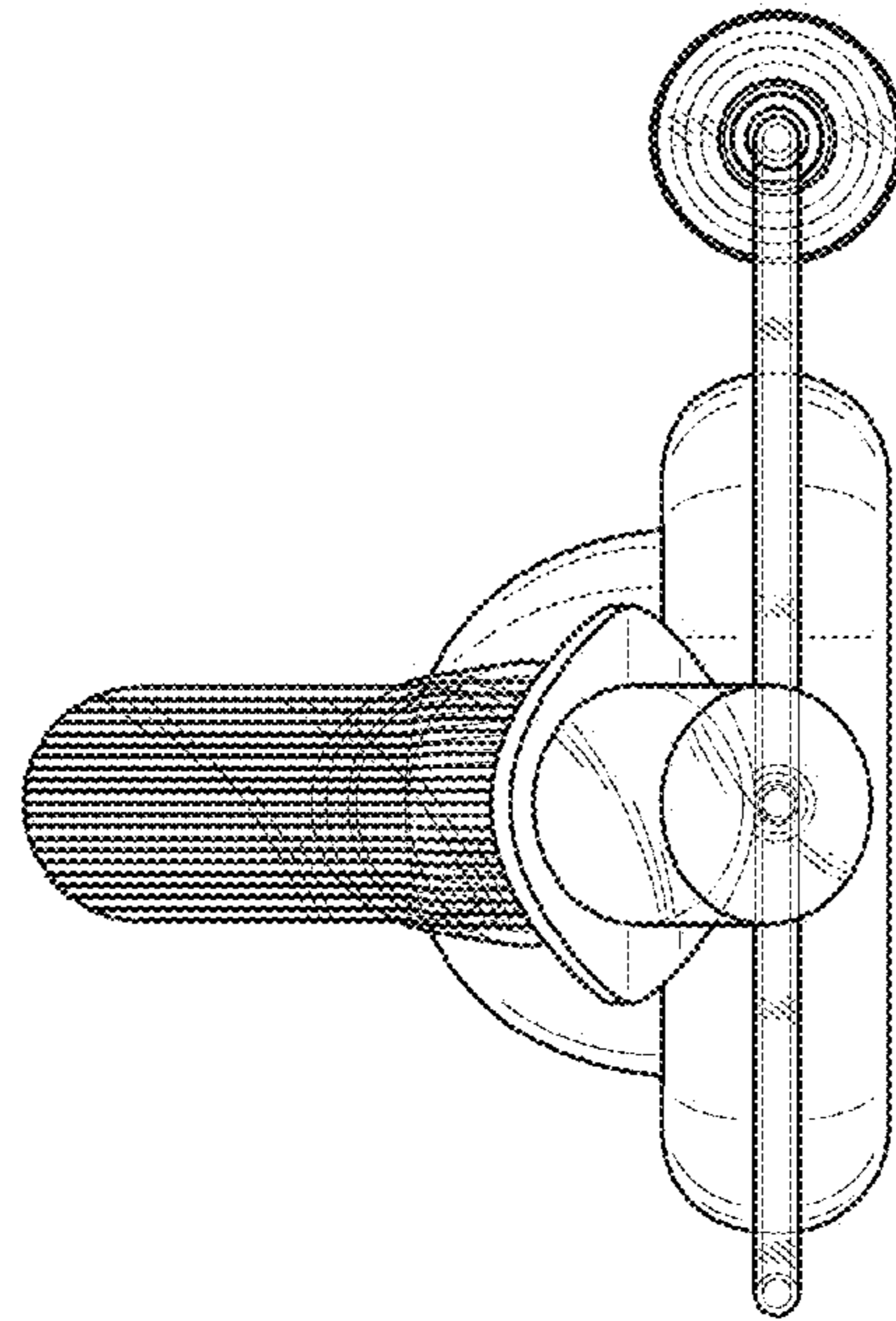


FIG. 3

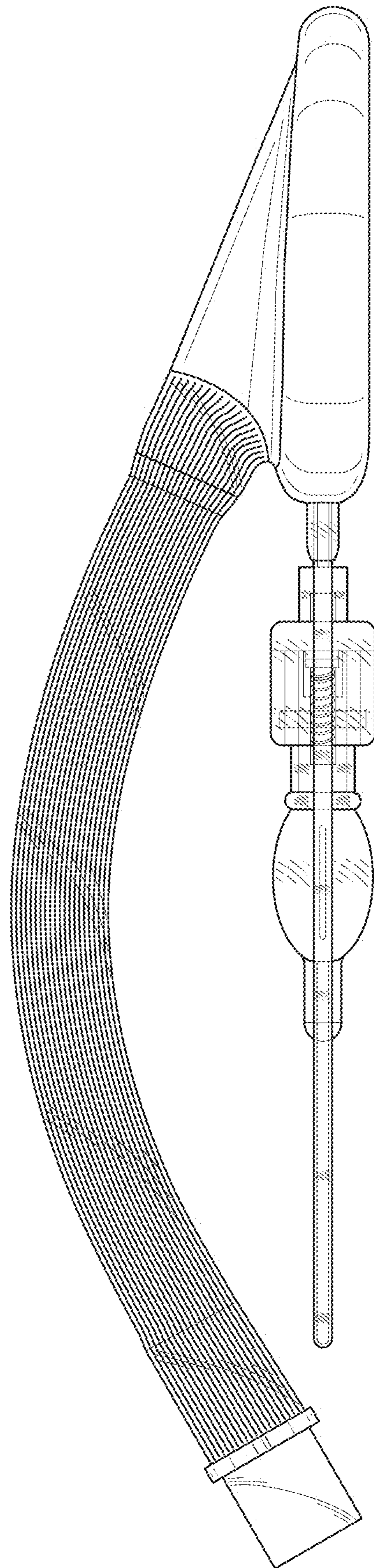


FIG. 4

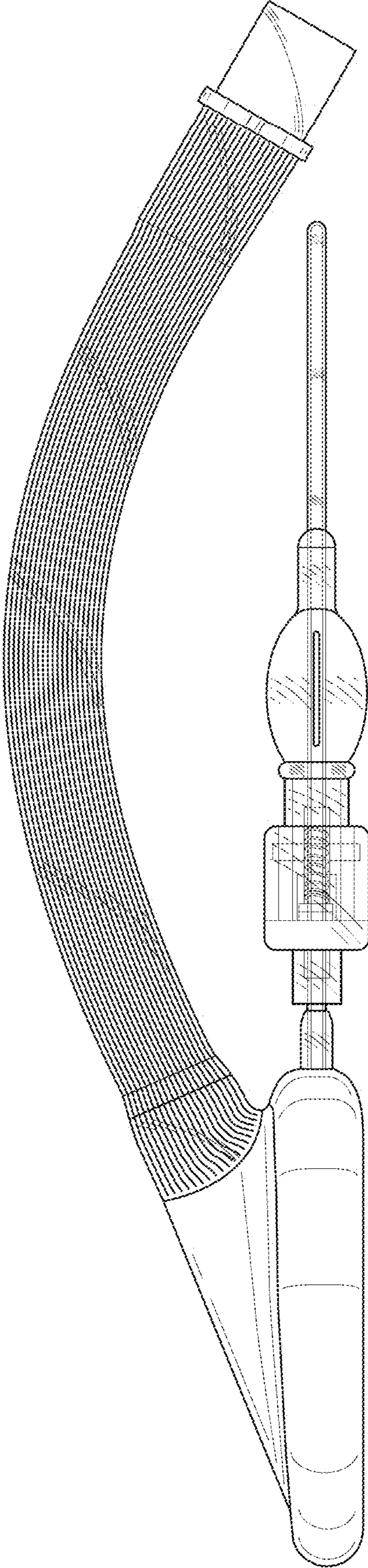


FIG. 5

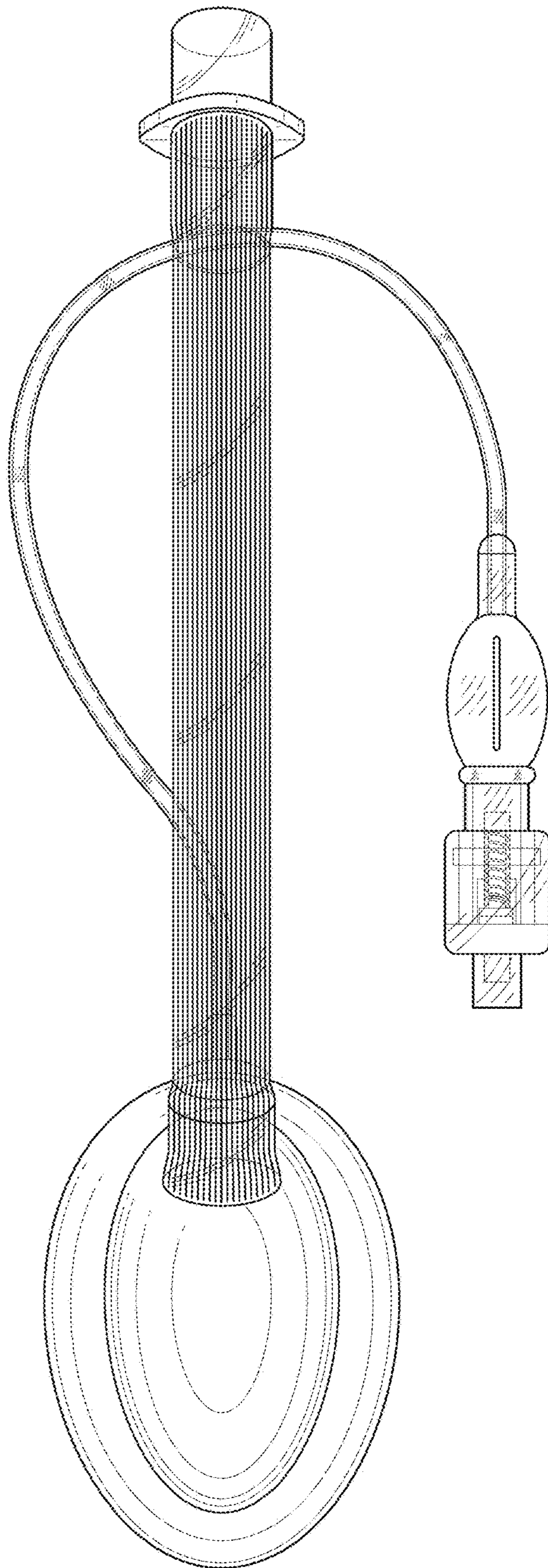


FIG. 6



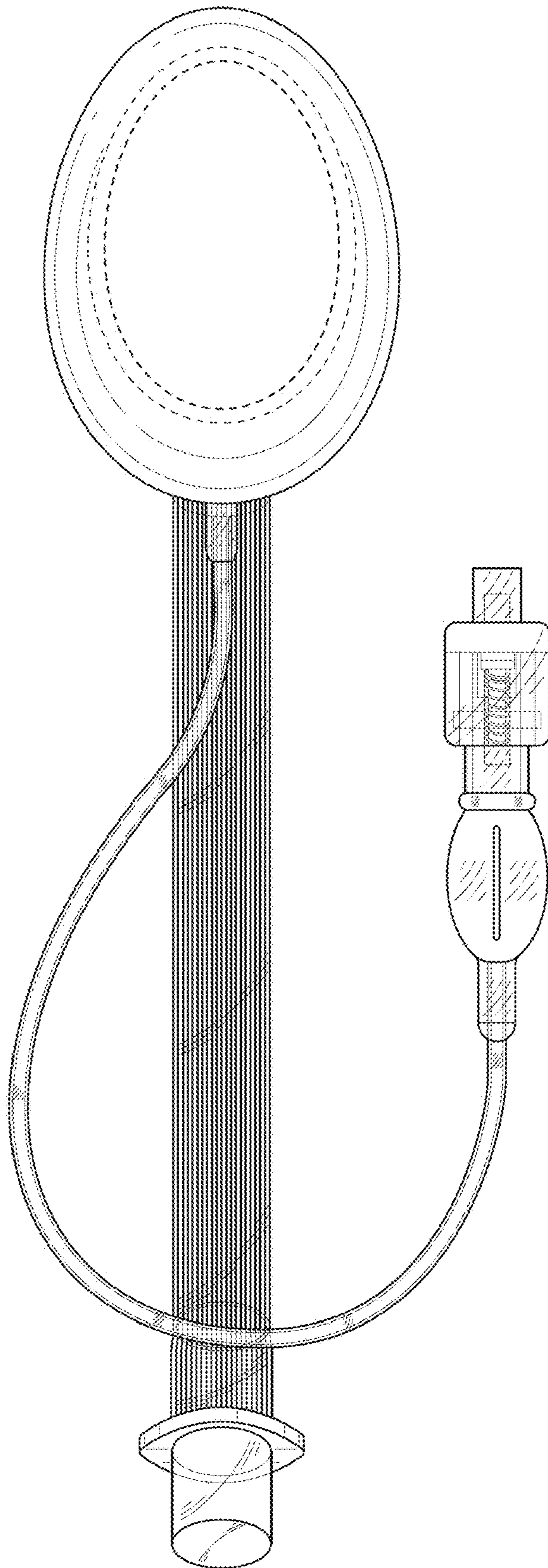


FIG. 7