



US00D884151S

(12) **United States Design Patent**
Eves et al.

(10) **Patent No.:** **US D884,151 S**
(45) **Date of Patent:** **** May 12, 2020**

- (54) **PATIENT INTERFACE**
- (71) Applicant: **ResMed Pty Ltd**, Bella Vista, New South Wales (AU)
- (72) Inventors: **Matthew Eves**, Sydney (AU); **Lemmy Nga**, Sydney (AU); **Gerard Michael Rummery**, Woodford (AU); **Rupert Christian Scheiner**, Sydney (AU)
- (73) Assignee: **ResMed Pty Ltd**, Bella Vista (AU)
- (**) Term: **15 Years**
- (21) Appl. No.: **29/581,907**
- (22) Filed: **Oct. 24, 2016**
- (51) **LOC (12) Cl.** **29-02**
- (52) **U.S. Cl.**
USPC **D24/110.4**
- (58) **Field of Classification Search**
USPC D24/110-110.6, 127, 129; D29/110
CPC A61M 16/0616; A61M 16/0633; A61M 16/06; A61M 16/0666; A61M 16/0683; A61M 16/0605; A61M 16/0622; A61M 16/0644; A61M 16/0875; A61M 16/0816; A61M 16/08; B63C 11/205; B63C 11/16; B63C 11/186; B63C 11/12
See application file for complete search history.

(56) **References Cited**

U.S. PATENT DOCUMENTS

D485,905 S *	1/2004	Moore	D24/110.1
D659,237 S *	5/2012	Lubke	D24/110.1
D692,554 S *	10/2013	Siew	D24/110.1
D737,953 S *	9/2015	Wells	D24/110
D770,036 S *	10/2016	Walls	D24/110.4
2010/0313891 A1 *	12/2010	Veliss	A61M 16/06 128/206.26
2011/0146685 A1 *	6/2011	Allan	A61M 16/06 128/205.25

2012/0067349 A1 *	3/2012	Barlow	A61M 16/06 128/205.25
2012/0090622 A1 *	4/2012	Chang	A61M 16/0666 128/207.18
2014/0000614 A1 *	1/2014	Chang	A61M 16/0666 128/205.25
2014/0283843 A1 *	9/2014	Eves	A61M 11/00 128/206.24
2015/0151071 A1 *	6/2015	Von Moger	A61M 39/1055 128/202.27

(Continued)

Primary Examiner — Sheryl Lane

Assistant Examiner — Aula Soroush

(74) *Attorney, Agent, or Firm* — Nixon & Vanderhye P.C.

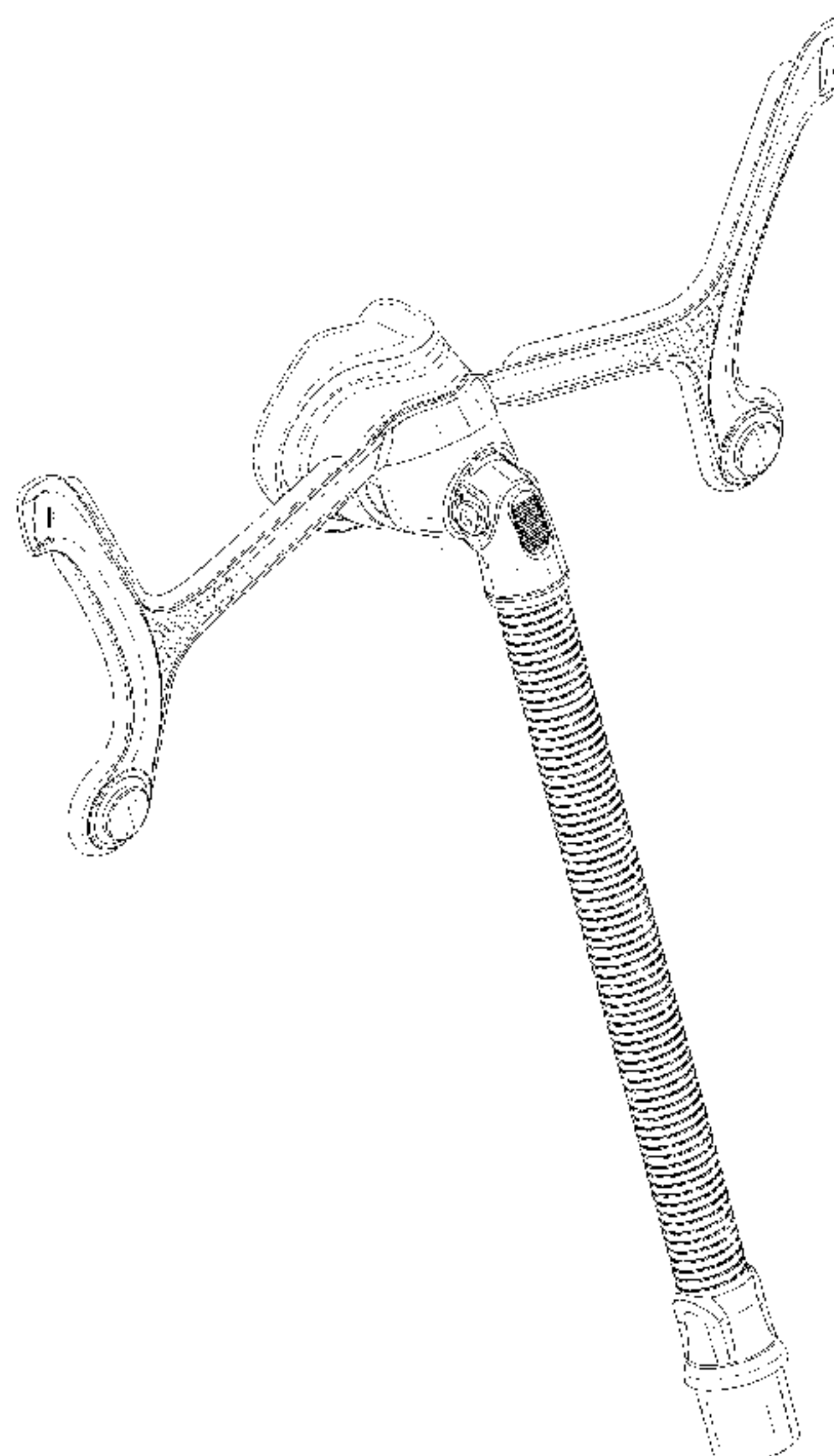
(57) **CLAIM**

The ornamental design for a patient interface, as shown and described.

DESCRIPTION

FIG. 1 is a front perspective view of a patient interface showing a first embodiment of our new design;
 FIG. 2 is a front view thereof;
 FIG. 3 is a rear view thereof;
 FIG. 4 is an enlarged top view thereof;
 FIG. 5 is an enlarged bottom view thereof;
 FIG. 6 is a left side view thereof;
 FIG. 7 is a right side view thereof;
 FIG. 8 is a reverse perspective view thereof;
 FIG. 9 is a front perspective view of a patient interface showing a second embodiment of our new design;
 FIG. 10 is a front view thereof;
 FIG. 11 is a rear view thereof;
 FIG. 12 is an enlarged top view thereof;
 FIG. 13 is an enlarged bottom view thereof;
 FIG. 14 is a left side view thereof;
 FIG. 15 is a right side view thereof; and,
 FIG. 16 is a reverse perspective view thereof.
 The broken lines in the drawings depict portions of the patient interface that form no part of the claimed design.

1 Claim, 16 Drawing Sheets



(56)

References Cited

U.S. PATENT DOCUMENTS

2016/0051784 A1* 2/2016 Eury A61M 16/0666
128/207.18
2016/0074614 A1* 3/2016 Huddart A61M 16/0683
128/204.18
2016/0082217 A1* 3/2016 McLaren A61M 16/0666
128/207.11
2016/0151596 A1* 6/2016 Slight A61M 16/0622
128/207.18
2016/0287830 A1* 10/2016 Walls A61M 16/0683

* cited by examiner

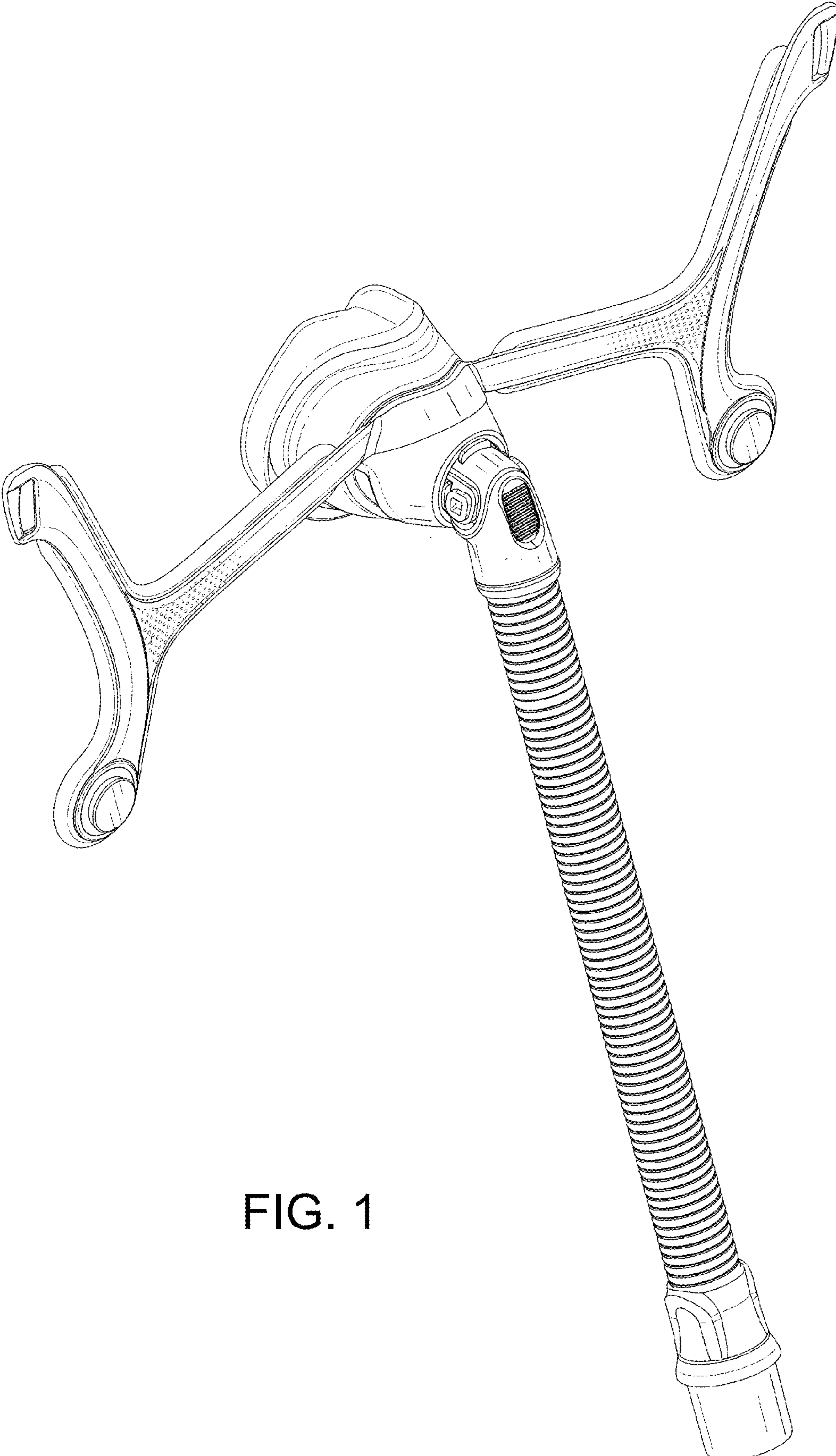


FIG. 1

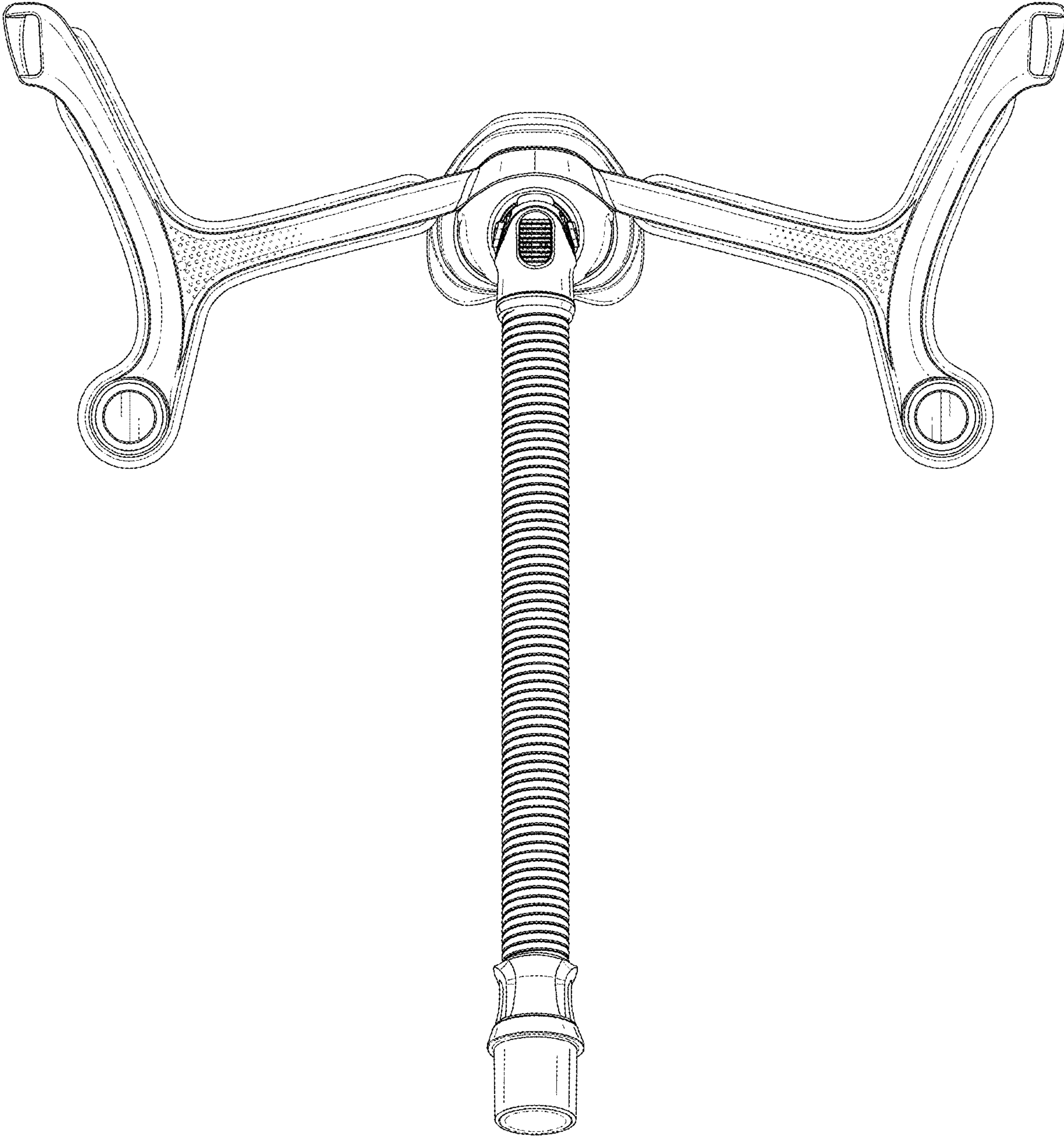


FIG. 2

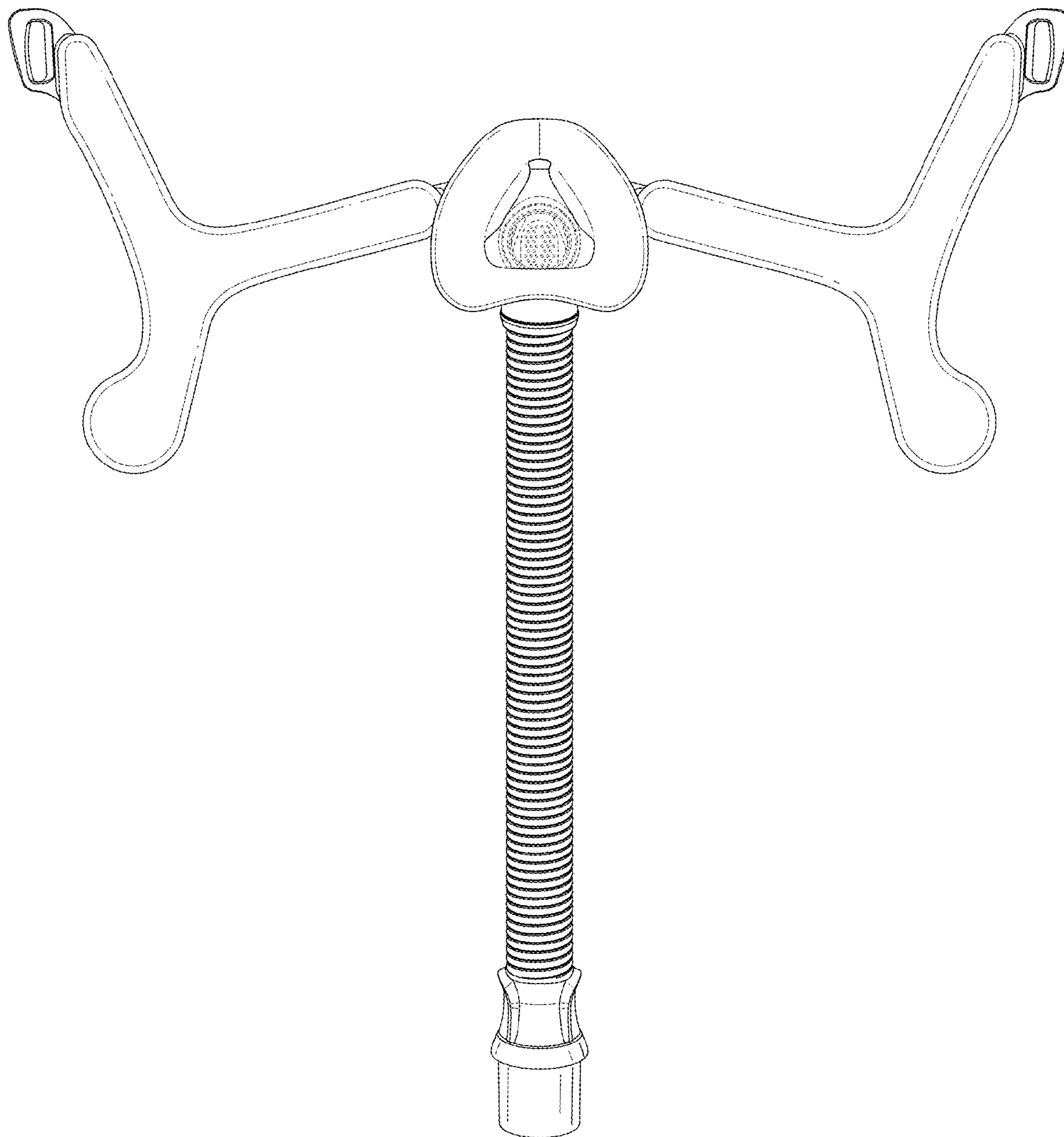


FIG. 3

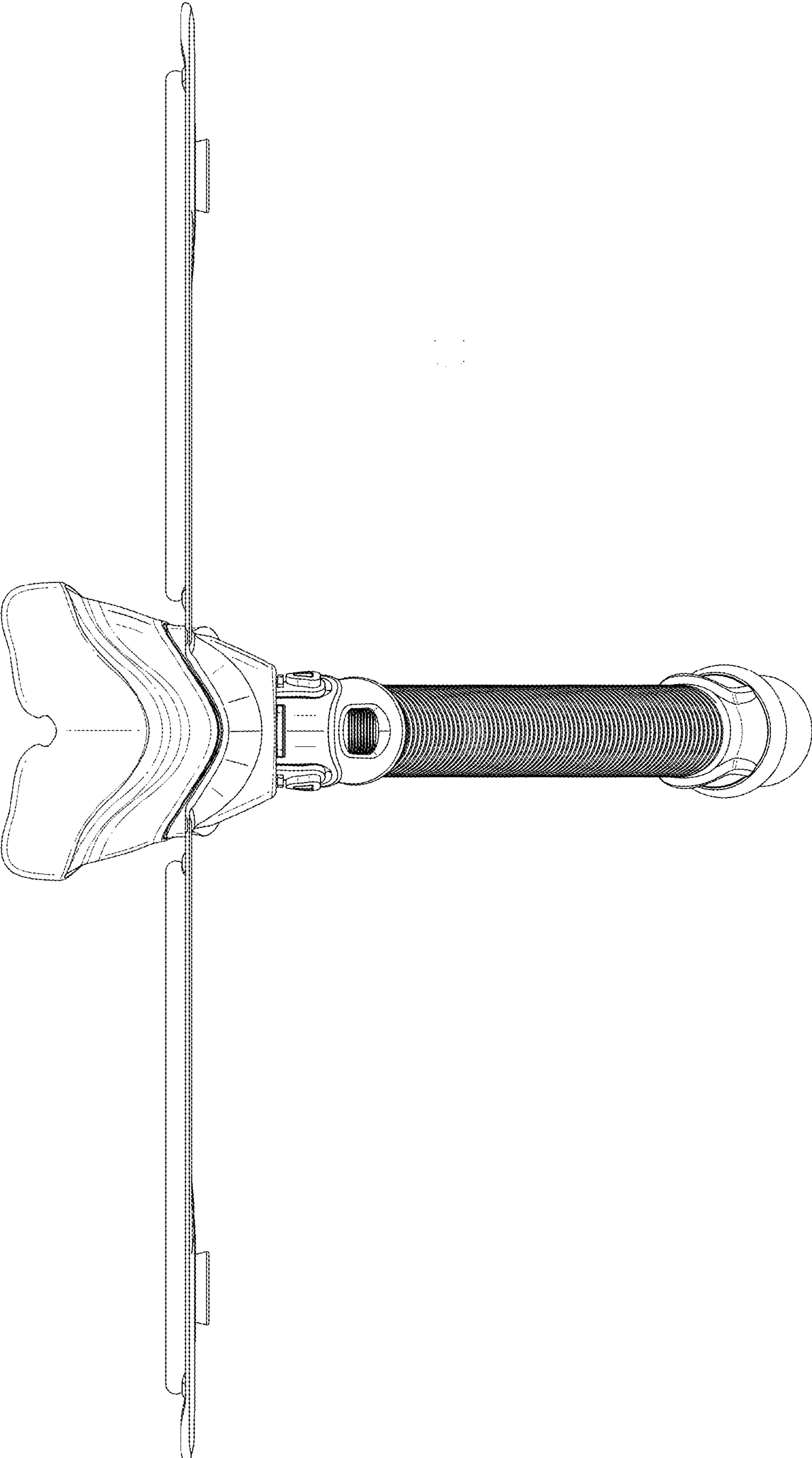


FIG. 4

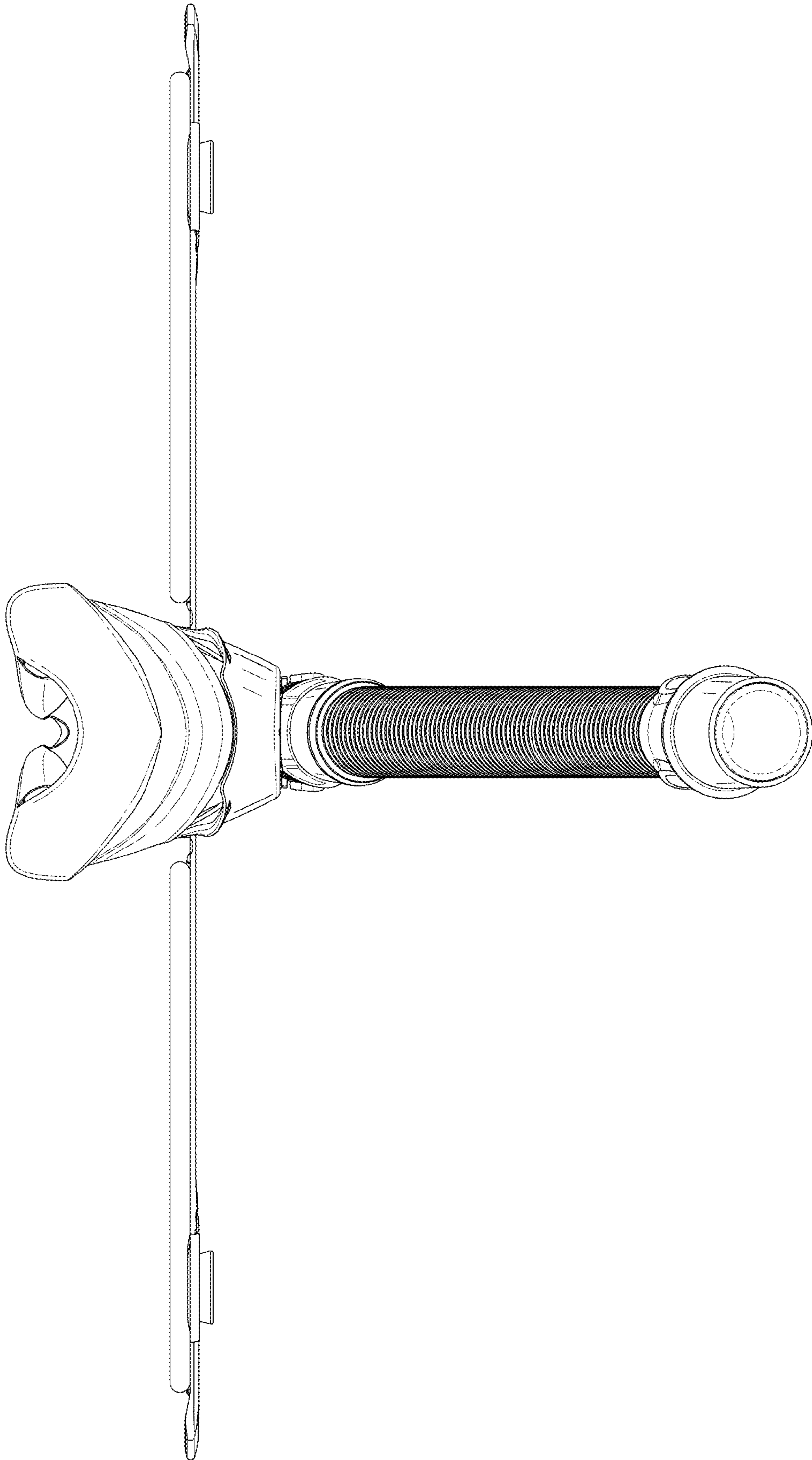


FIG. 5

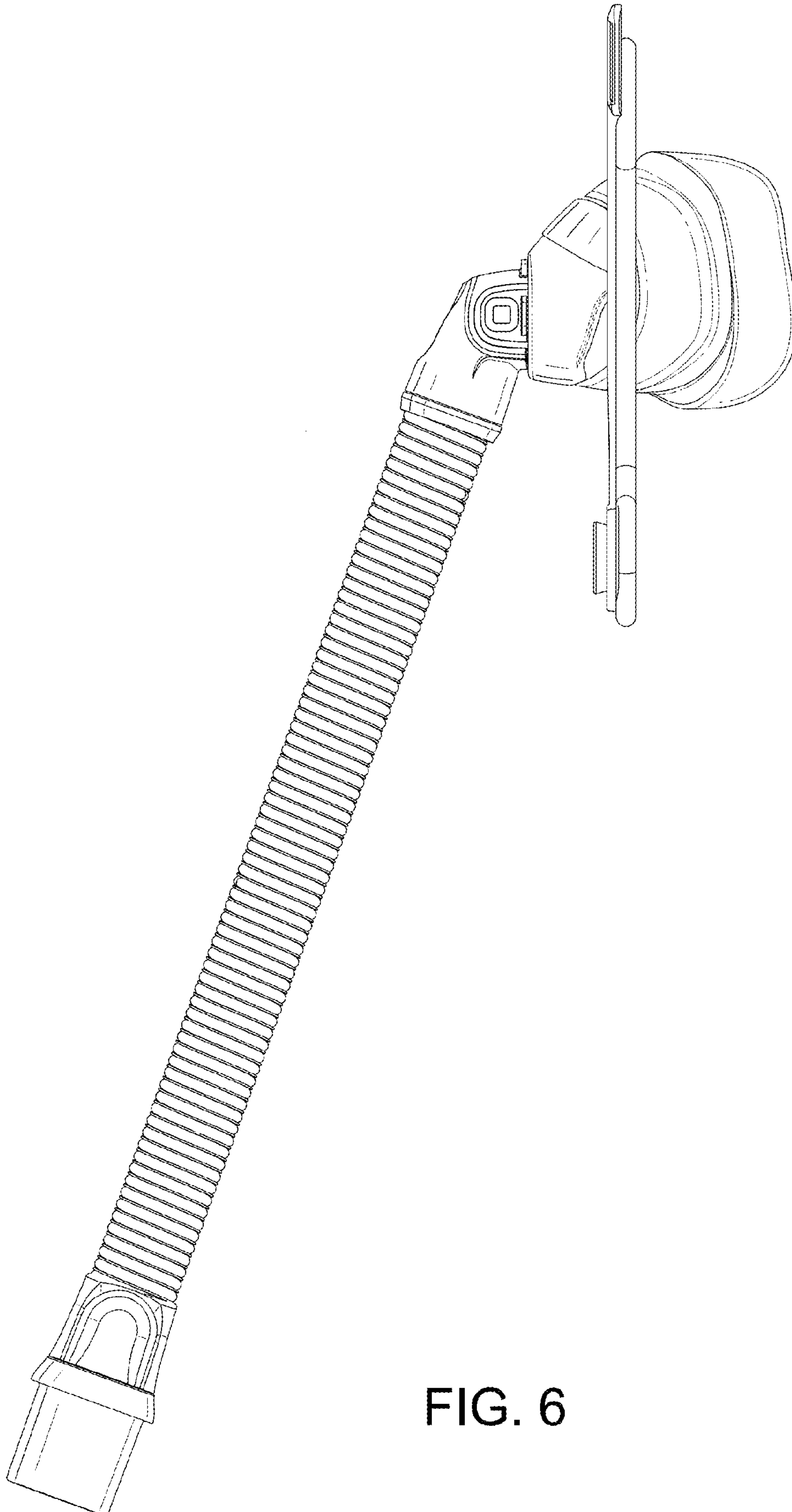


FIG. 6

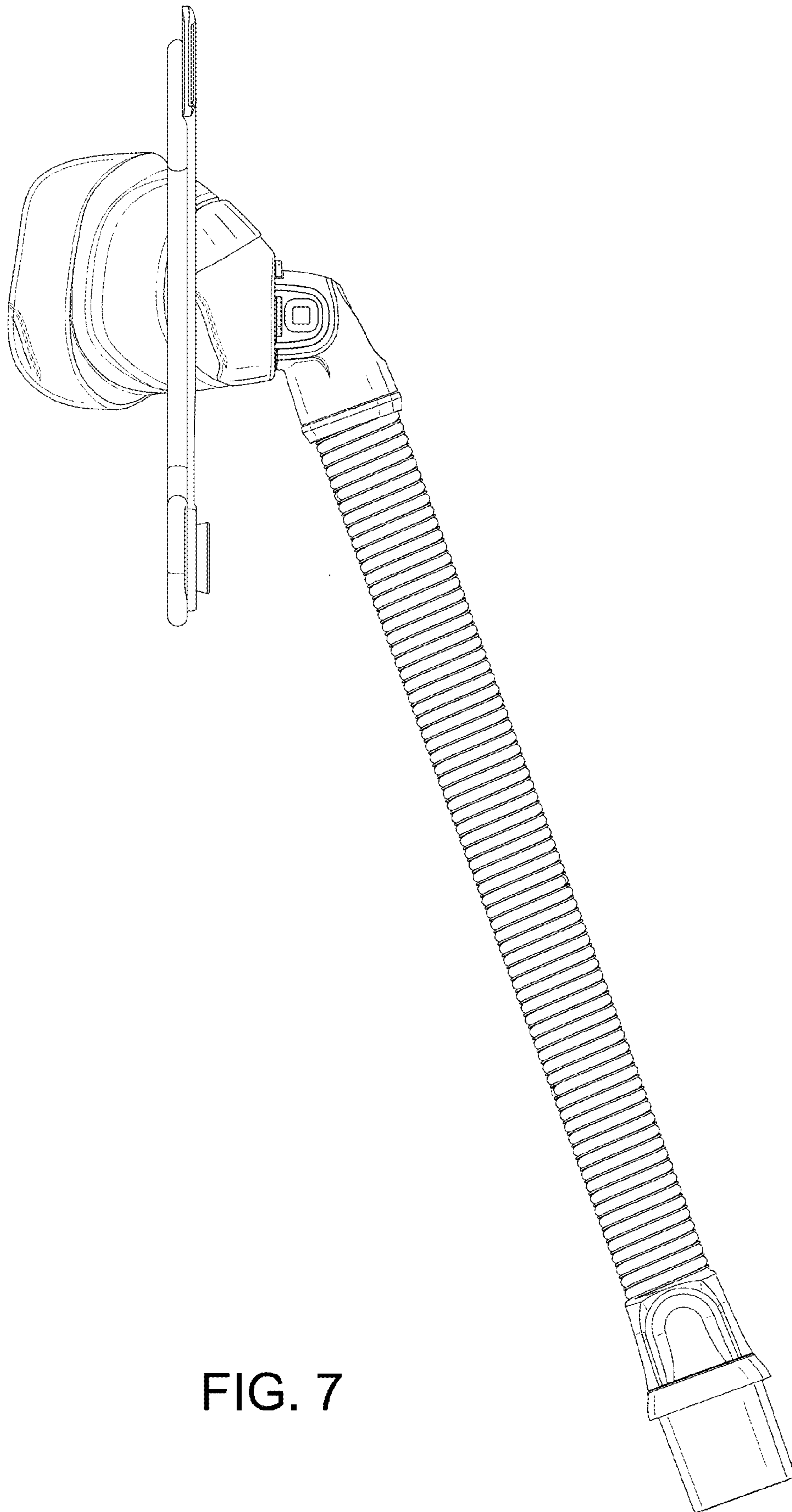


FIG. 7

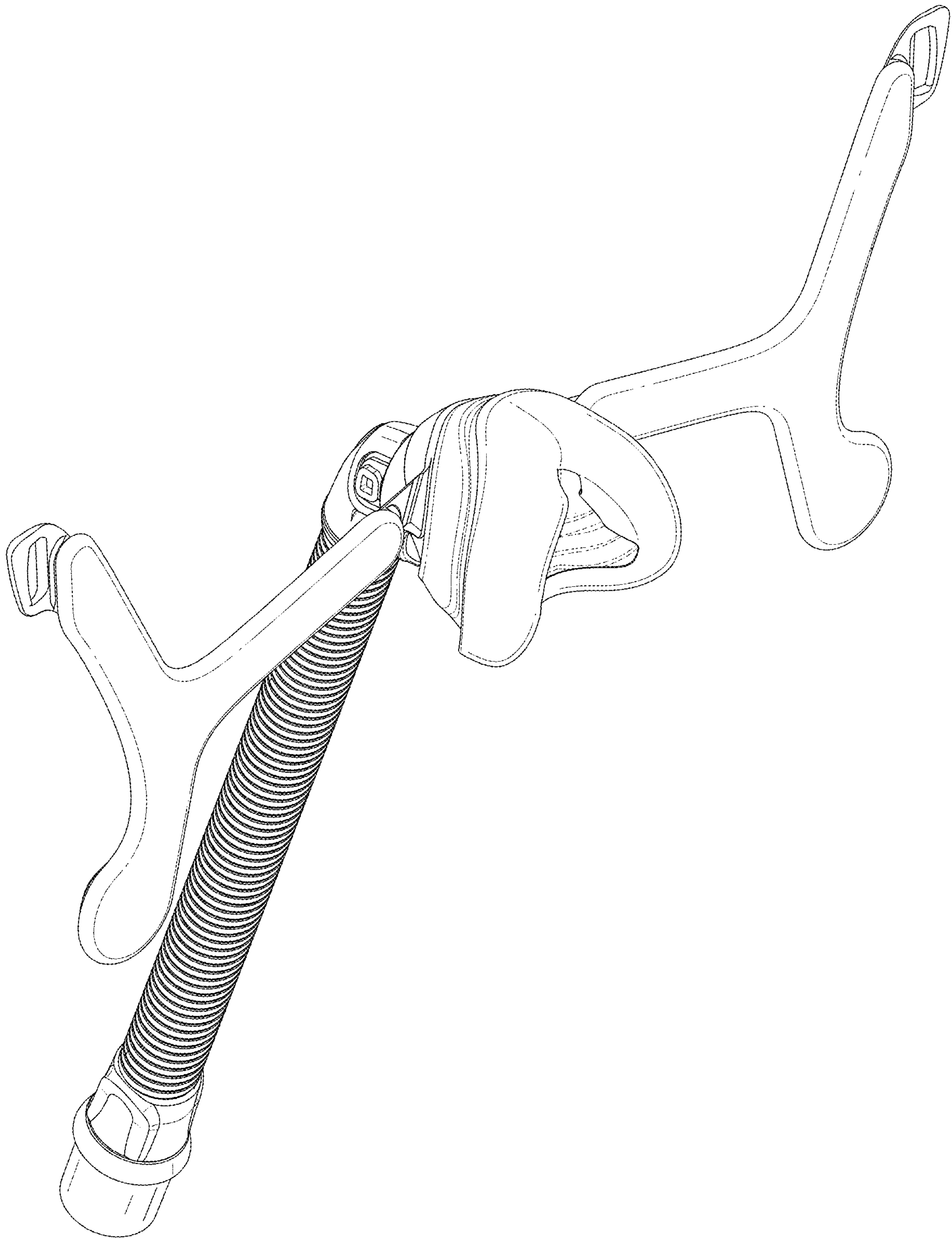


FIG. 8

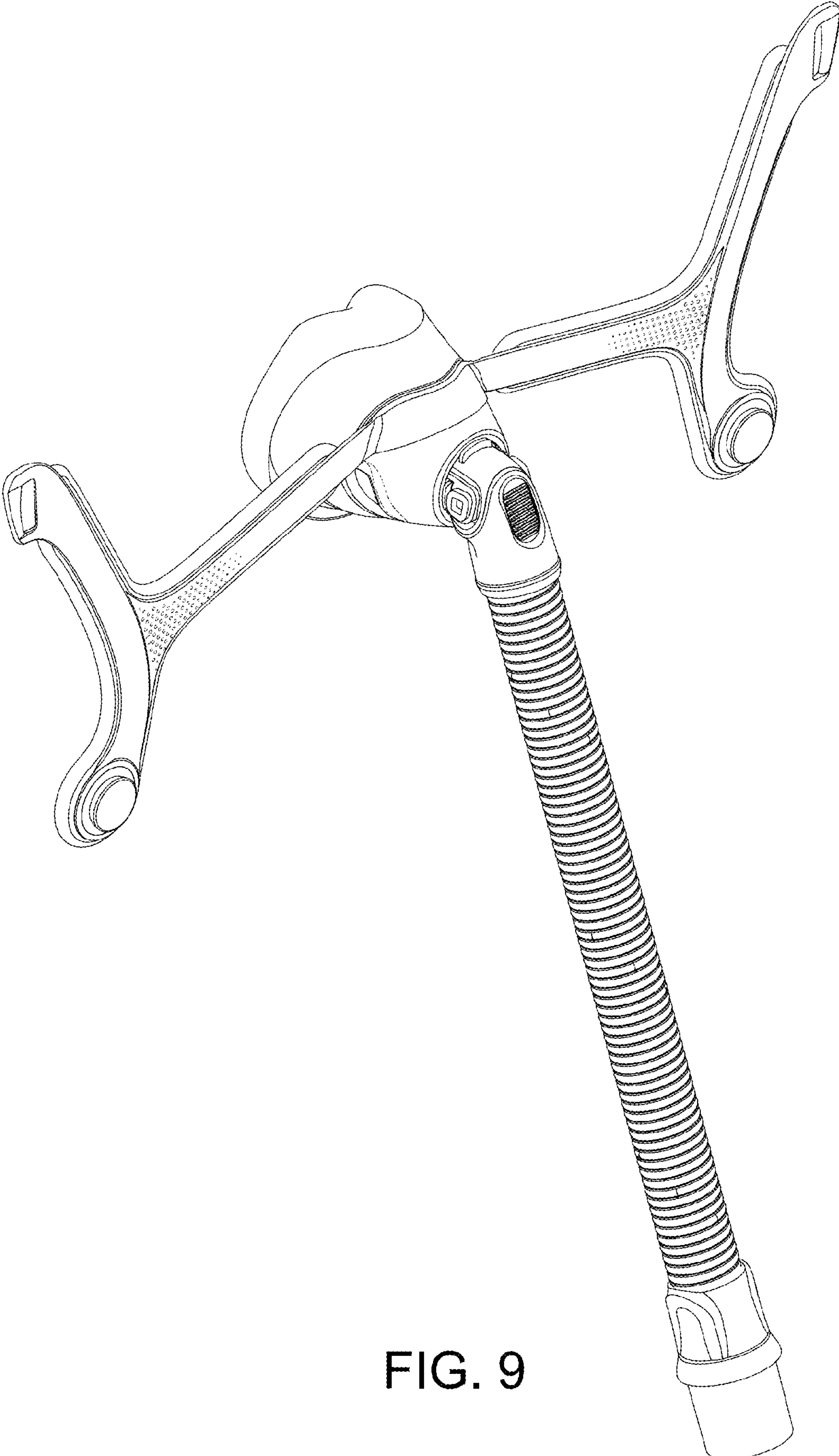


FIG. 9

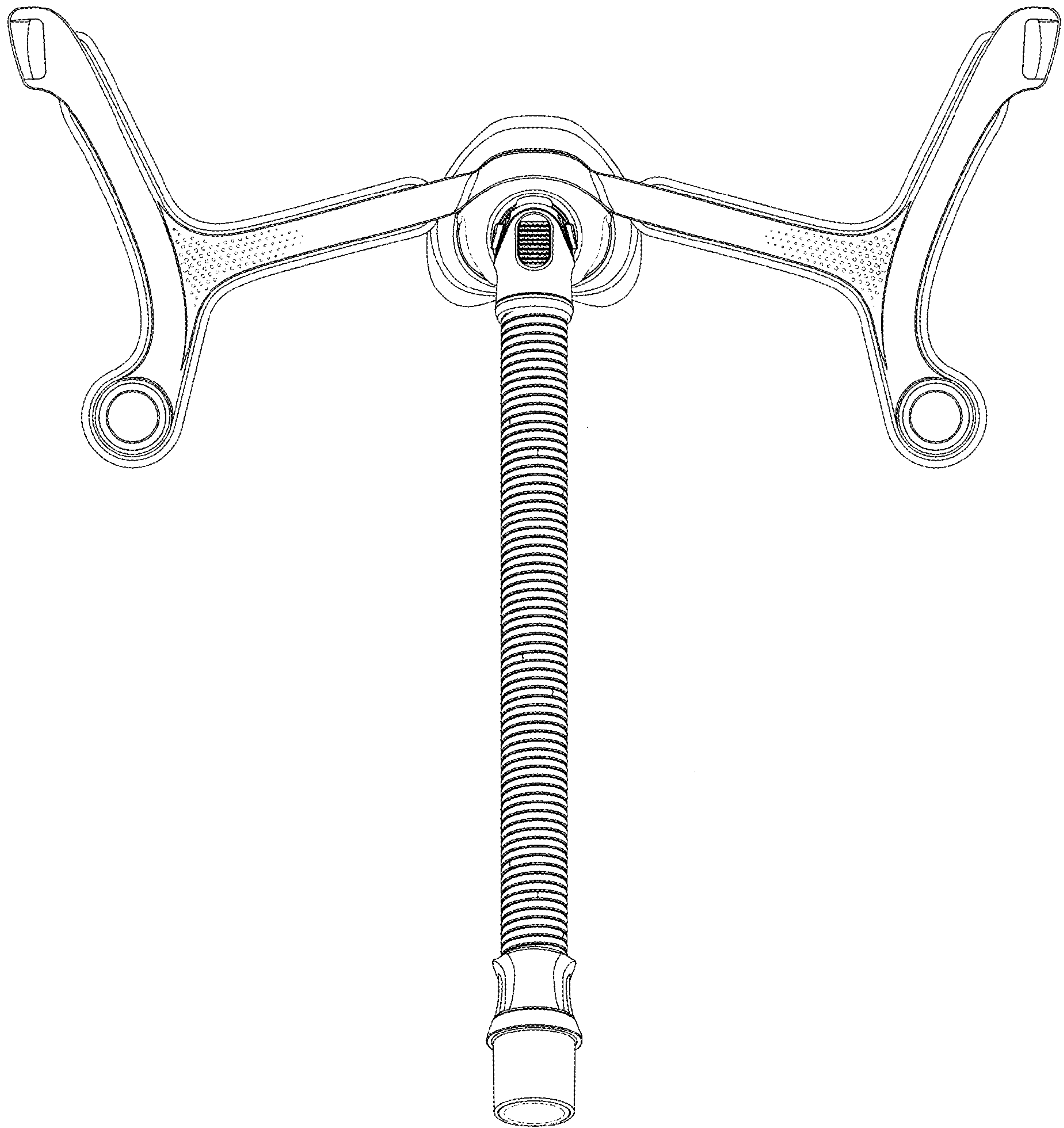


FIG. 10

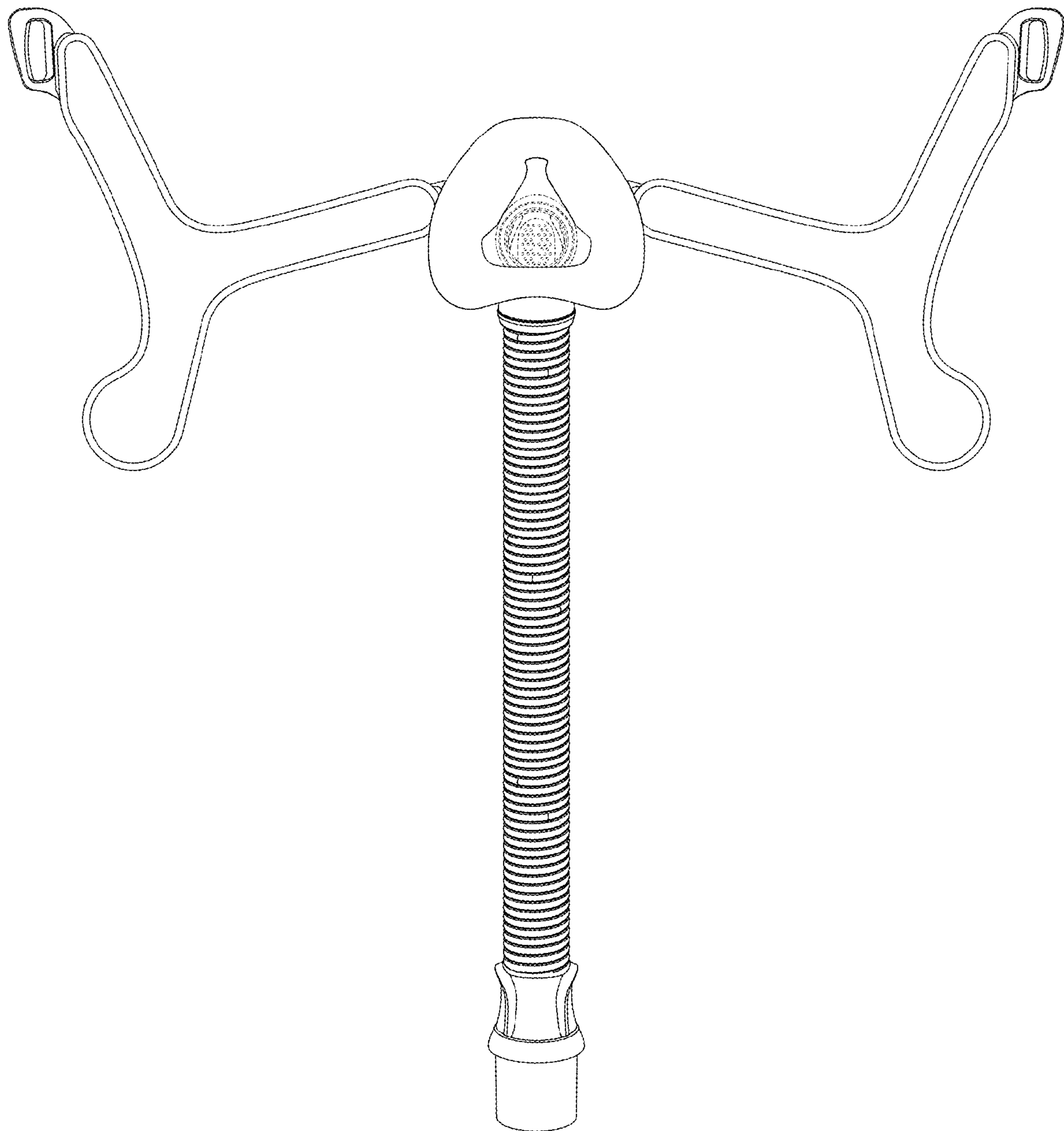


FIG. 11

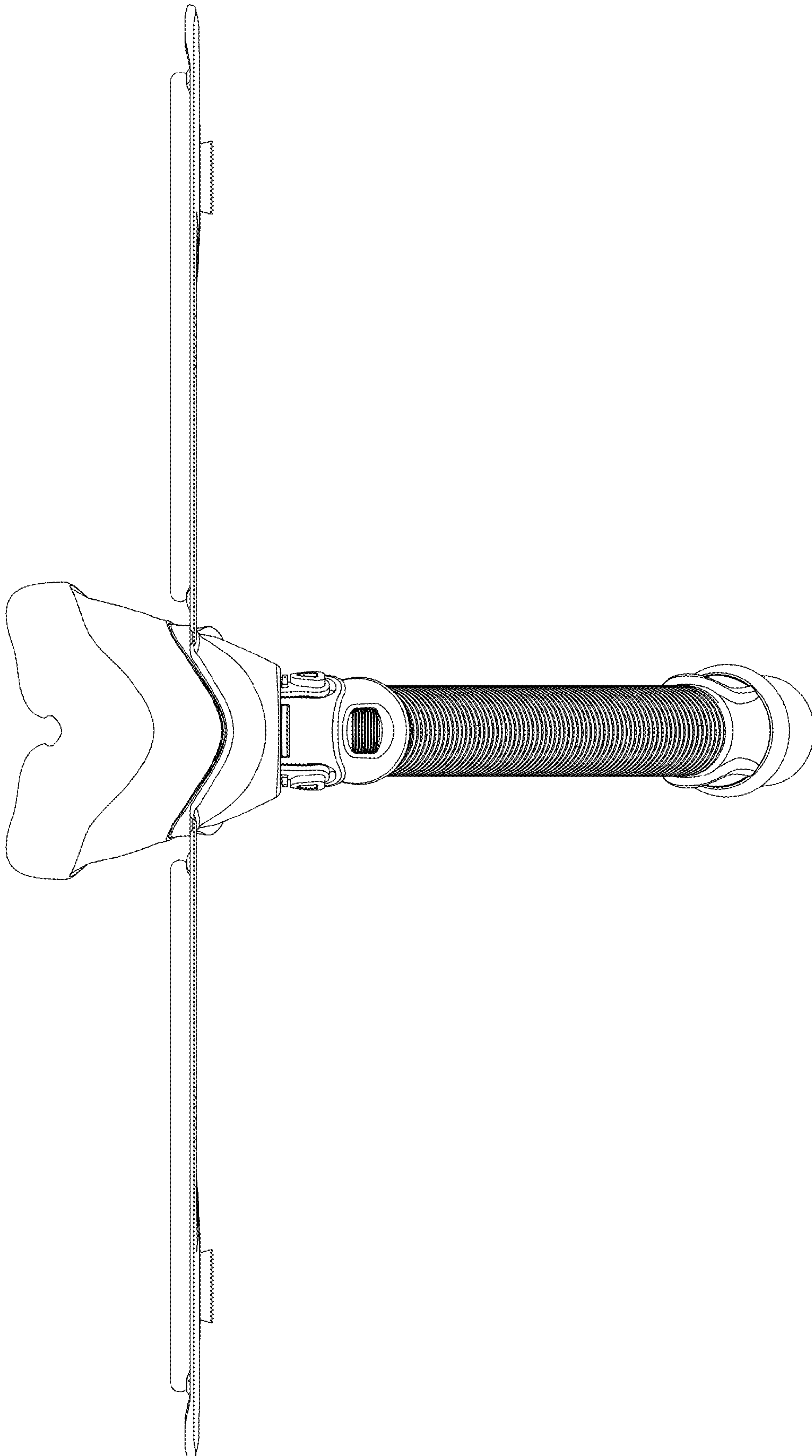


FIG. 12

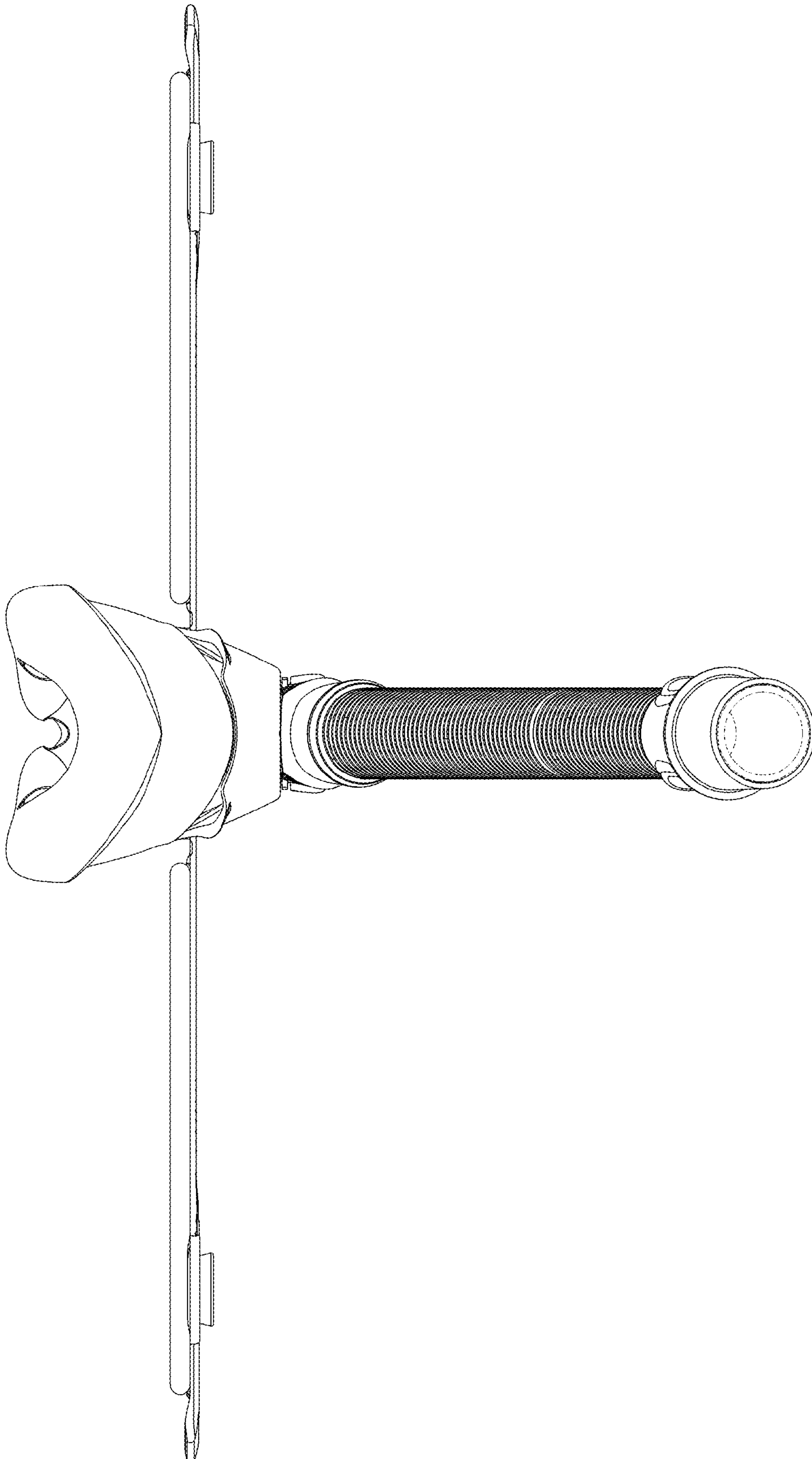


FIG. 13

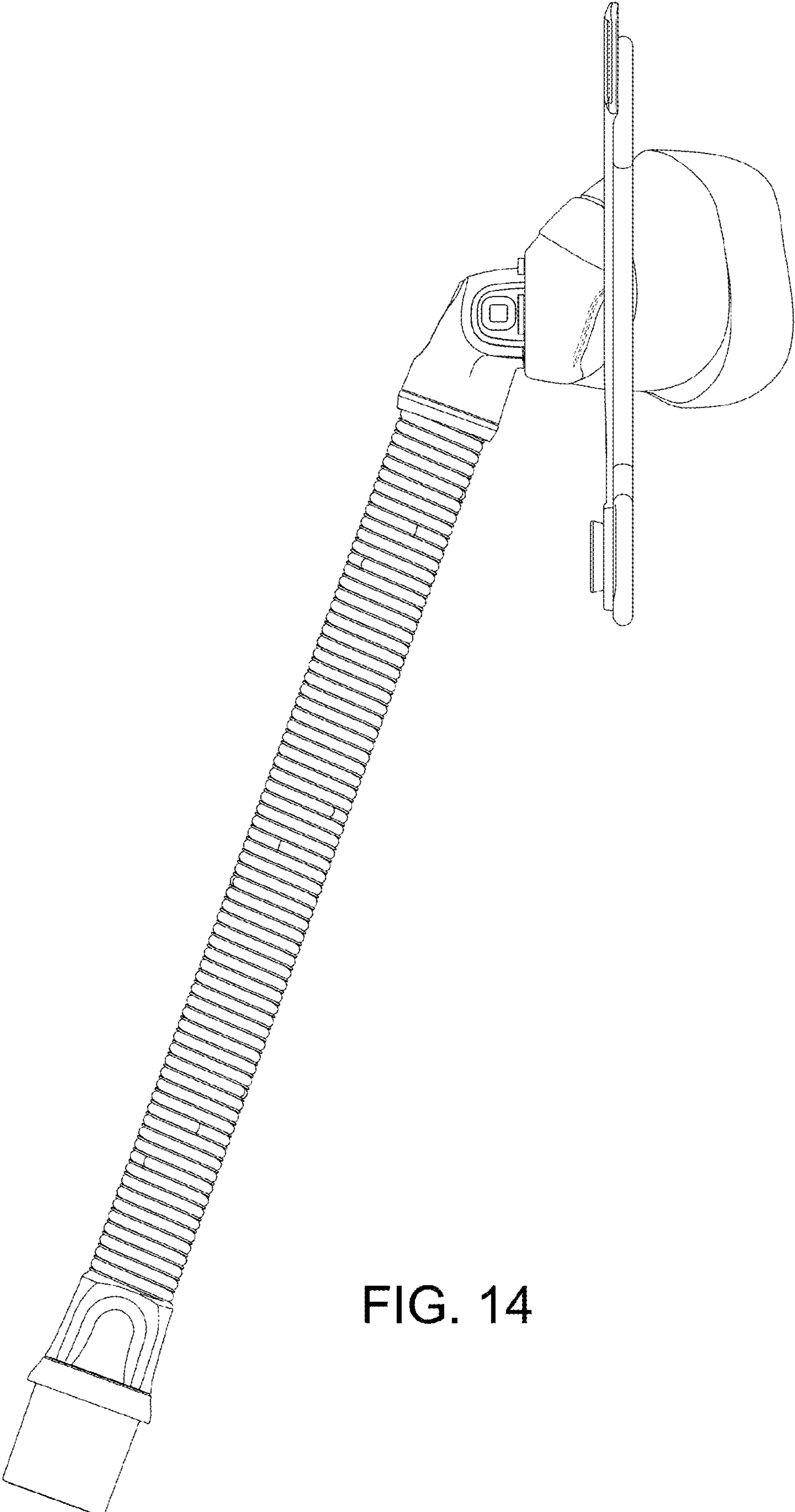


FIG. 14

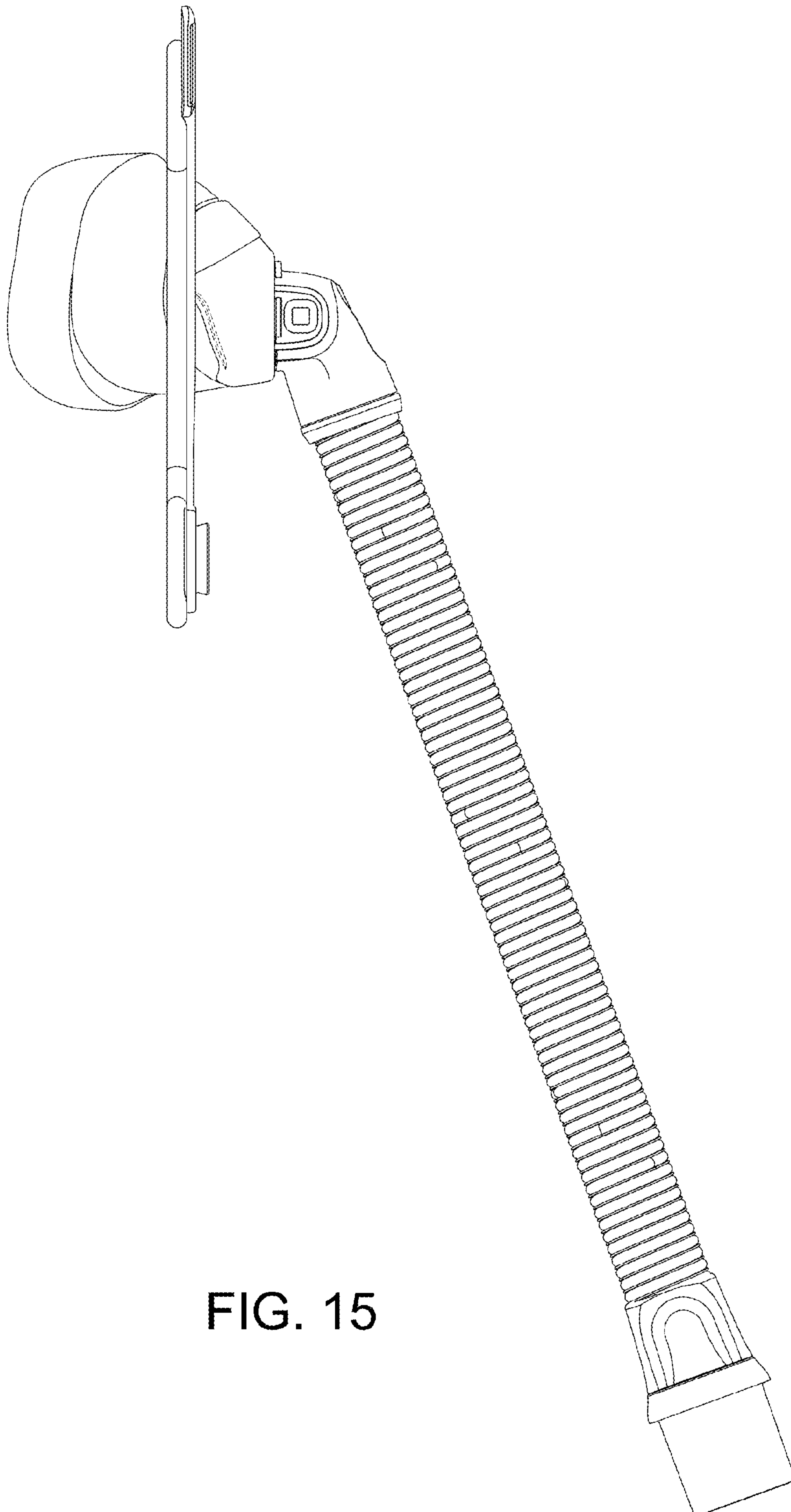


FIG. 15

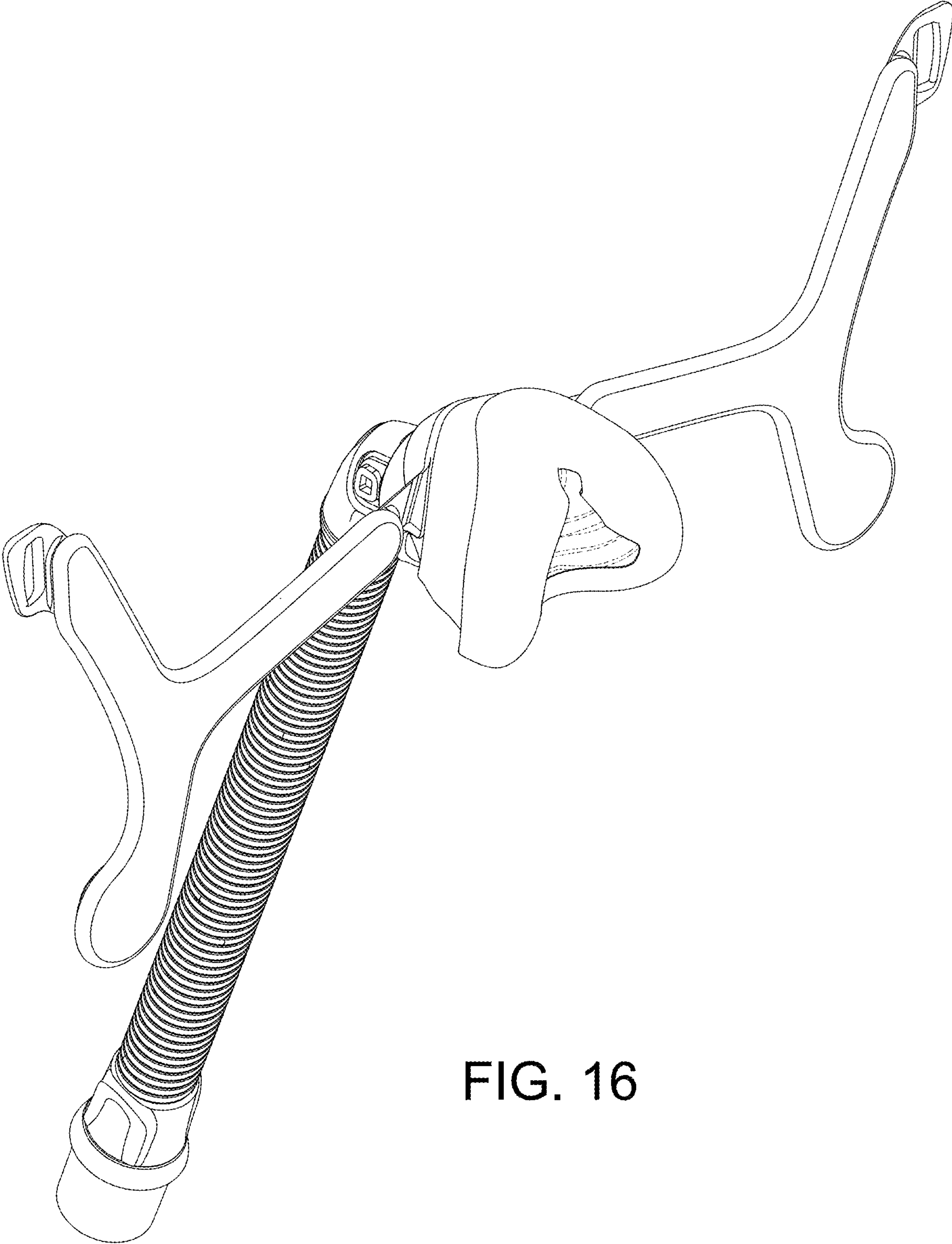


FIG. 16