



US00D884149S

(12) **United States Design Patent** (10) **Patent No.:** **US D884,149 S**  
**Prevot** (45) **Date of Patent:** **\*\* May 12, 2020**

(54) **RED AIR PATH FOR A POWERED AIR PURIFYING RESPIRATOR BLOWER**

(71) Applicant: **Honeywell International Inc.**, Morris Plains, NJ (US)

(72) Inventor: **Tanguy Prevot**, Brno-Venkov (CZ)

(73) Assignee: **Honeywell International Inc.**, Morris Plains, NJ (US)

(\*\*) Term: **15 Years**

(21) Appl. No.: **29/644,358**

(22) Filed: **Apr. 17, 2018**

(30) **Foreign Application Priority Data**

Oct. 17, 2017 (EM) ..... 004409522

(51) **LOC (12) Cl.** ..... **29-02**

(52) **U.S. Cl.**  
USPC ..... **D24/110; D24/129**

(58) **Field of Classification Search**  
USPC ..... D24/110.1-110.4, 127, 162, 164, 110, D24/129; D29/102, 107, 108, 110, 129; D23/365  
CPC ..... A62B 18/006; A62B 7/10; A62B 18/045; A62B 18/08; A62B 18/04; A62B 18/02; A62B 18/00; A62B 23/025; A62B 18/025; A62B 23/02; A62B 17/04; A62B 18/082; A42B 3/288; A42B 3/225; A42B 3/286; A61M 16/06; A61M 16/0622

See application file for complete search history.

(56) **References Cited**

**U.S. PATENT DOCUMENTS**

D449,099 S \* 10/2001 Juhlin ..... D23/355  
D646,379 S \* 10/2011 Huh ..... D24/110  
D710,493 S \* 8/2014 Wu ..... D24/110  
D710,494 S \* 8/2014 Wu ..... D24/110

D727,511 S \* 4/2015 Dehmke ..... D24/164  
D756,519 S \* 5/2016 Adams ..... D24/164  
D774,180 S \* 12/2016 Wu ..... D24/110  
D809,129 S \* 1/2018 Yang ..... D24/110  
D809,130 S \* 1/2018 Yang ..... D24/110  
D810,274 S \* 2/2018 Yang ..... D24/110  
D859,637 S \* 9/2019 Thompson ..... D24/110  
2009/0314295 A1 \* 12/2009 Hatmaker ..... A62B 7/10  
128/205.12

(Continued)

**OTHER PUBLICATIONS**

Honeywell North Primair 700 Series. Brochure. Date: 2017. Retrieved from Internet: <file:///C:/Users/lbekic/Downloads/HSPRSP%20244\_Brochure\_PA700\_FINAL.pdf> (Year: 2017).\*

(Continued)

*Primary Examiner* — Lilyana Bekic

(74) *Attorney, Agent, or Firm* — Wick Phillips Gould & Martin, LLP

(57) **CLAIM**

The ornamental design for a red air path for a powered air purifying respirator blower, as shown and described.

**DESCRIPTION**

FIG. 1 is a top perspective view of a red air path for a powered air purifying respirator blower in accordance with the new design;

FIG. 2 is a left side view thereof;

FIG. 3 is a right side view thereof;

FIG. 4 is a front view thereof;

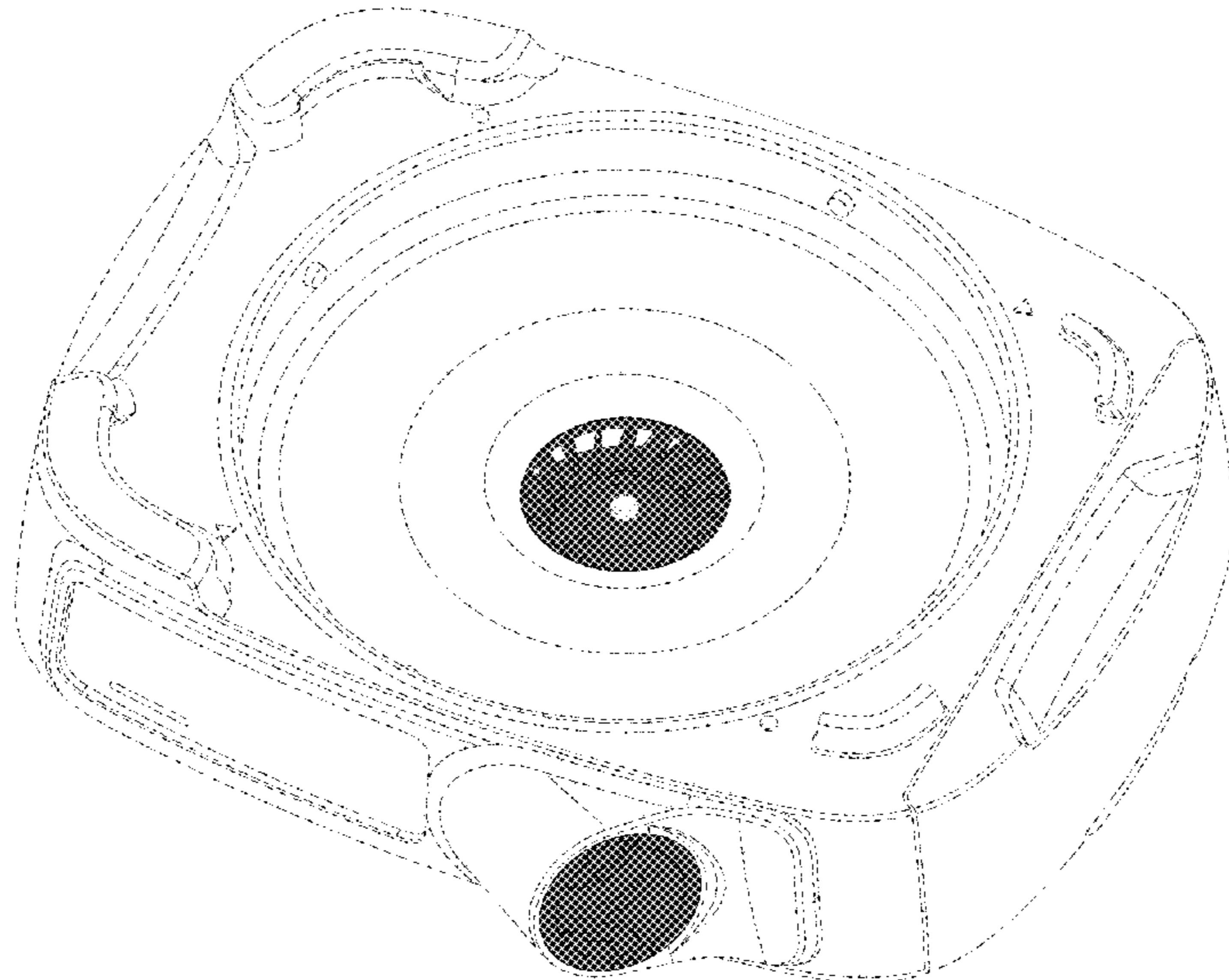
FIG. 5 is a rear view thereof;

FIG. 6 is a top view thereof; and,

FIG. 7 is a bottom view thereof.

The broken lines shown in the drawings are only provided to illustrate the environment of the design, and form no part of the claimed design.

**1 Claim, 5 Drawing Sheets**



(56)

**References Cited**

U.S. PATENT DOCUMENTS

2012/0051904 A1\* 3/2012 Hagen ..... A62B 18/006  
415/224  
2013/0014752 A1\* 1/2013 Ausen ..... A62B 7/10  
128/201.25  
2015/0114389 A1\* 4/2015 Sernfalt ..... A62B 9/003  
128/202.22  
2016/0001102 A1\* 1/2016 Huh ..... A62B 7/10  
128/206.17  
2018/0028846 A1\* 2/2018 Hur ..... A62B 9/006  
2018/0337373 A1\* 11/2018 Wu ..... A62B 9/00  
2019/0143154 A1\* 5/2019 Gangadhar ..... A62B 7/10

OTHER PUBLICATIONS

Registered European Community Design Application No.  
RCD004409522, filed Oct. 17, 2017, 6 pages.

China Design Patent Application No. 201830157029.X, Notifica-  
tion to Grant Patent Right, dated Aug. 7, 2018, 4 pages.

\* cited by examiner

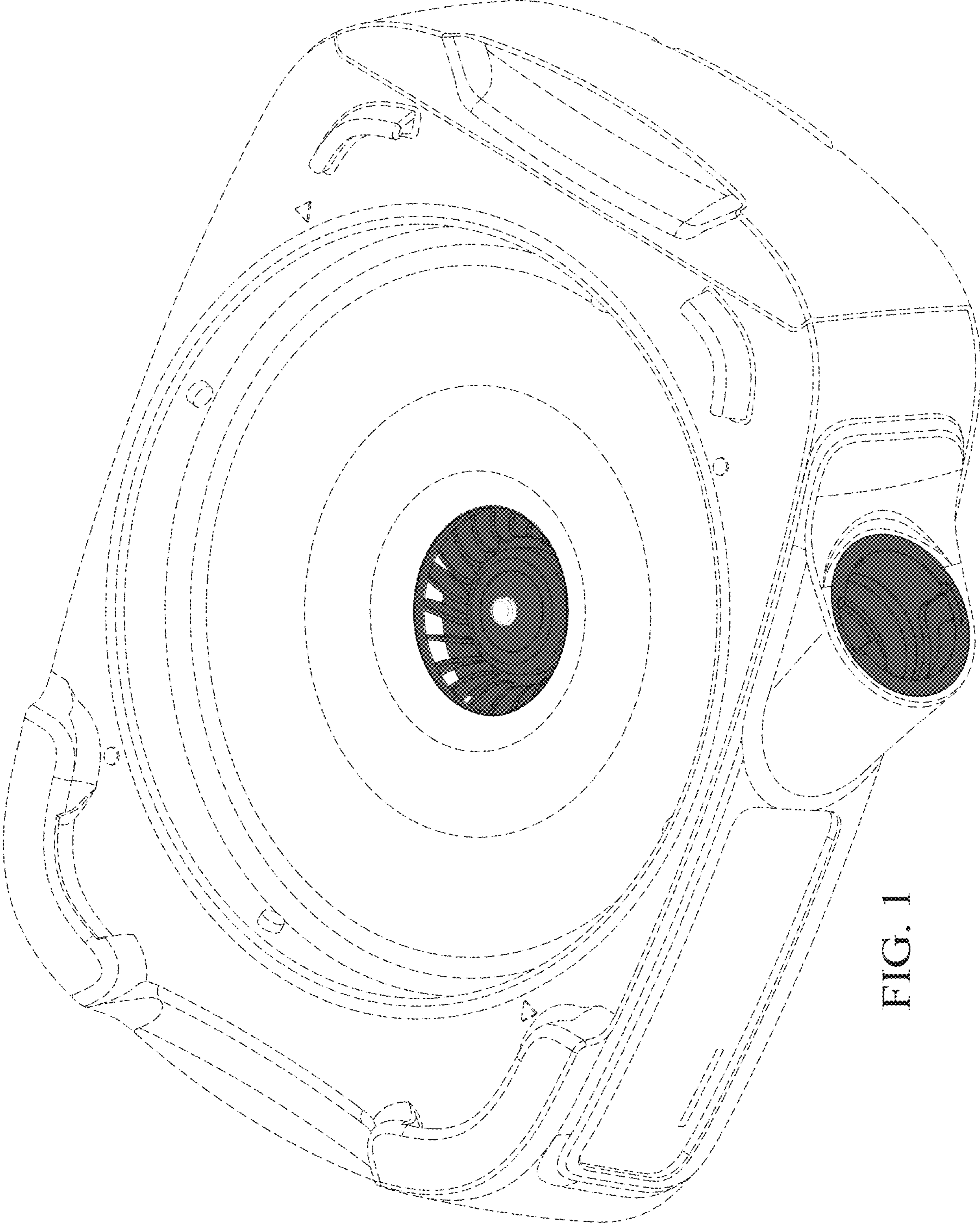


FIG. 1

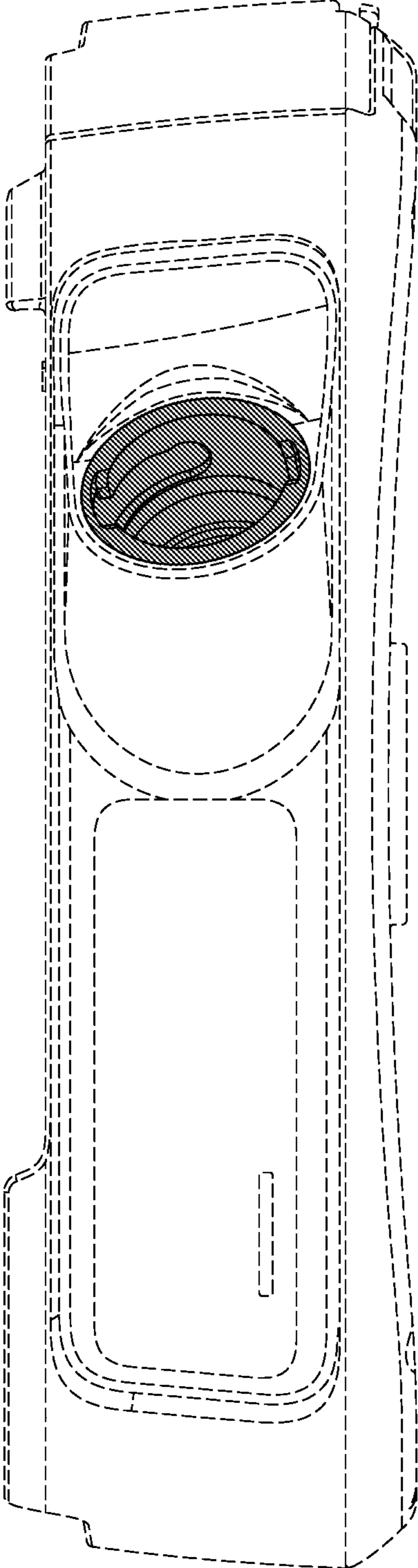


FIG. 2

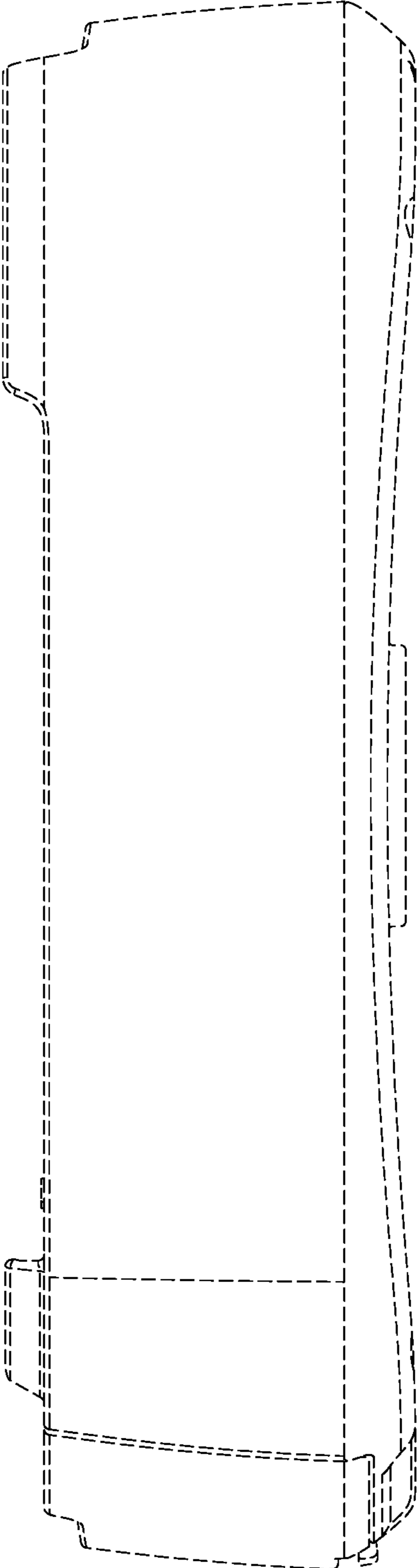


FIG. 3

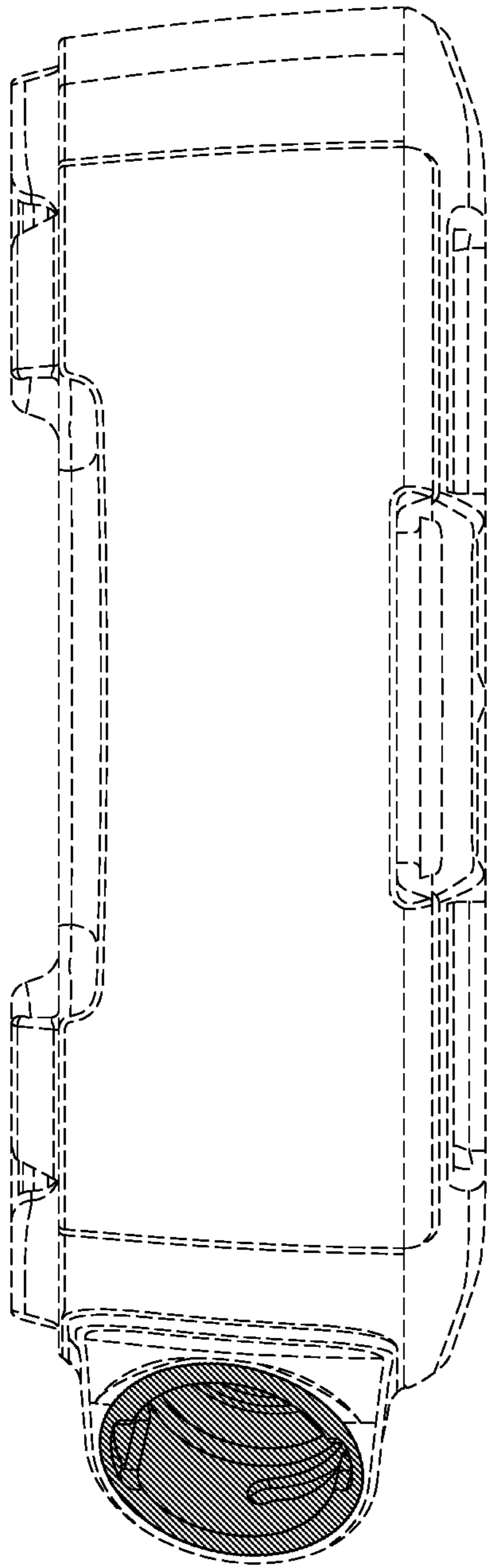


FIG. 4

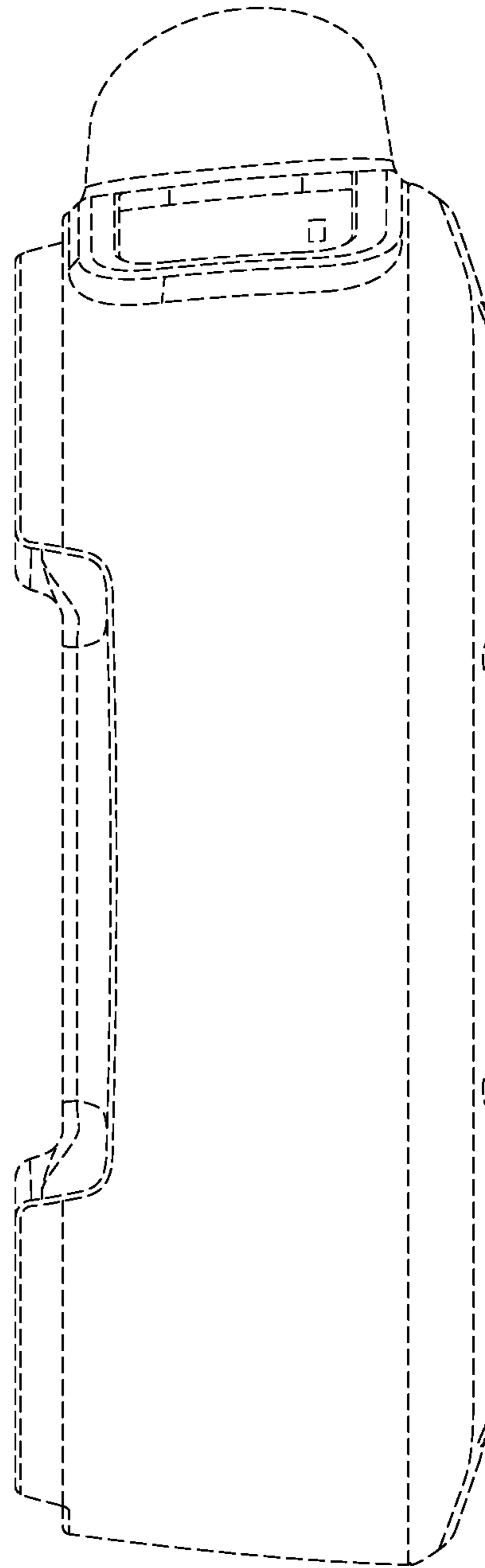


FIG. 5

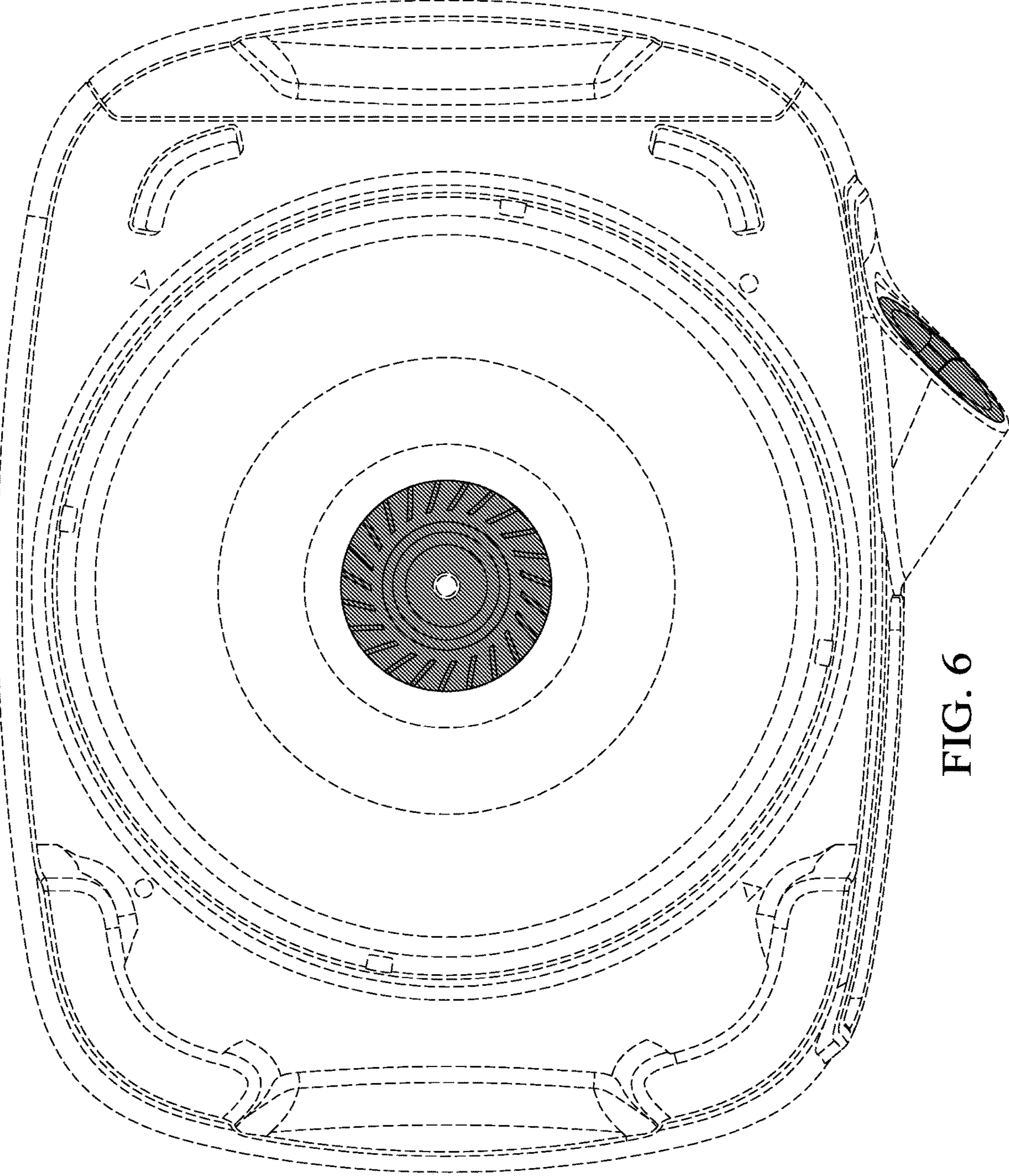


FIG. 6

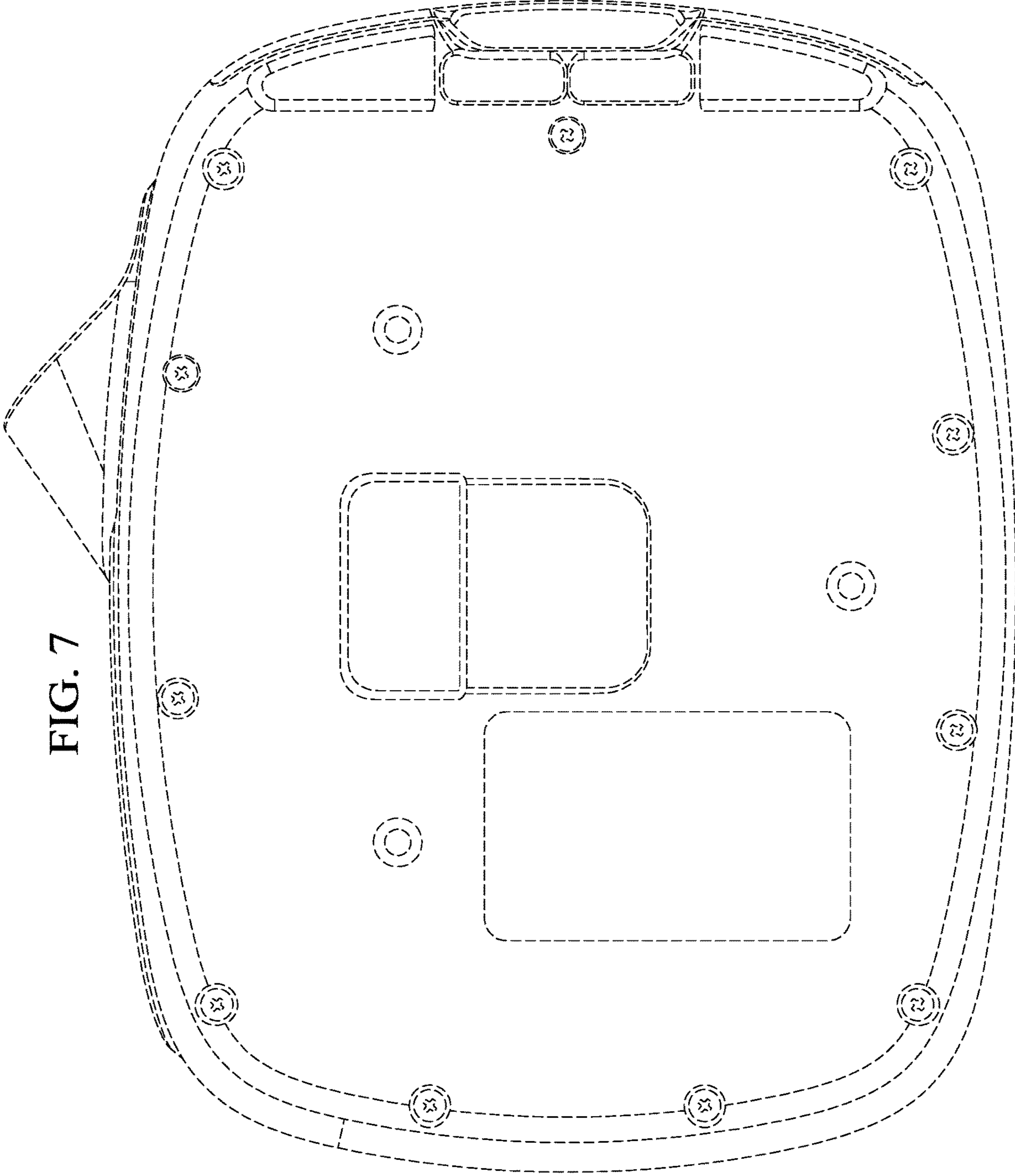


FIG. 7