



US00D884145S

(12) **United States Design Patent**  
**Holmes**

(10) **Patent No.:** **US D884,145 S**

(45) **Date of Patent:** **\*\* May 12, 2020**

(54) **CEILING FAN**

(71) Applicant: **HUNTER FAN COMPANY**,  
Memphis, TN (US)

(72) Inventor: **Christine Holmes**, Memphis, TN (US)

(73) Assignee: **Hunter Fan Company**, Memphis, TN  
(US)

(\*\*) Term: **15 Years**

(21) Appl. No.: **29/624,318**

(22) Filed: **Oct. 31, 2017**

(51) **LOC (12) Cl.** ..... **23-04**

(52) **U.S. Cl.**  
USPC ..... **D23/377**

(58) **Field of Classification Search**

USPC ..... D23/370-385, 411-414; D26/59, 85, 86,  
D26/89, 90

CPC ..... F04D 25/088; F04D 29/38; F04D 29/384;  
F04D 29/386; F21V 33/0096

See application file for complete search history.

(56) **References Cited**

**U.S. PATENT DOCUMENTS**

D329,494 S	9/1992	Holbrook
D339,202 S	9/1993	Holbrook
D355,028 S	1/1995	Tsuji
D369,405 S	4/1996	Holbrook
D374,925 S	10/1996	Jasper-Fayer

(Continued)

**OTHER PUBLICATIONS**

[http://www.cens.com/cens/html/en/product/product\\_main\\_77129.html](http://www.cens.com/cens/html/en/product/product_main_77129.html), CENS Aquarius-champagne light series, Air Cool Industrial Co., LTD., Model No. AC413, accessed Mar. 20, 2017.

(Continued)

*Primary Examiner* — Cathron C Brooks

*Assistant Examiner* — Sharon S Oum

(74) *Attorney, Agent, or Firm* — McGarry Bair PC

(57) **CLAIM**

The ornamental design for a ceiling fan, as shown and described.

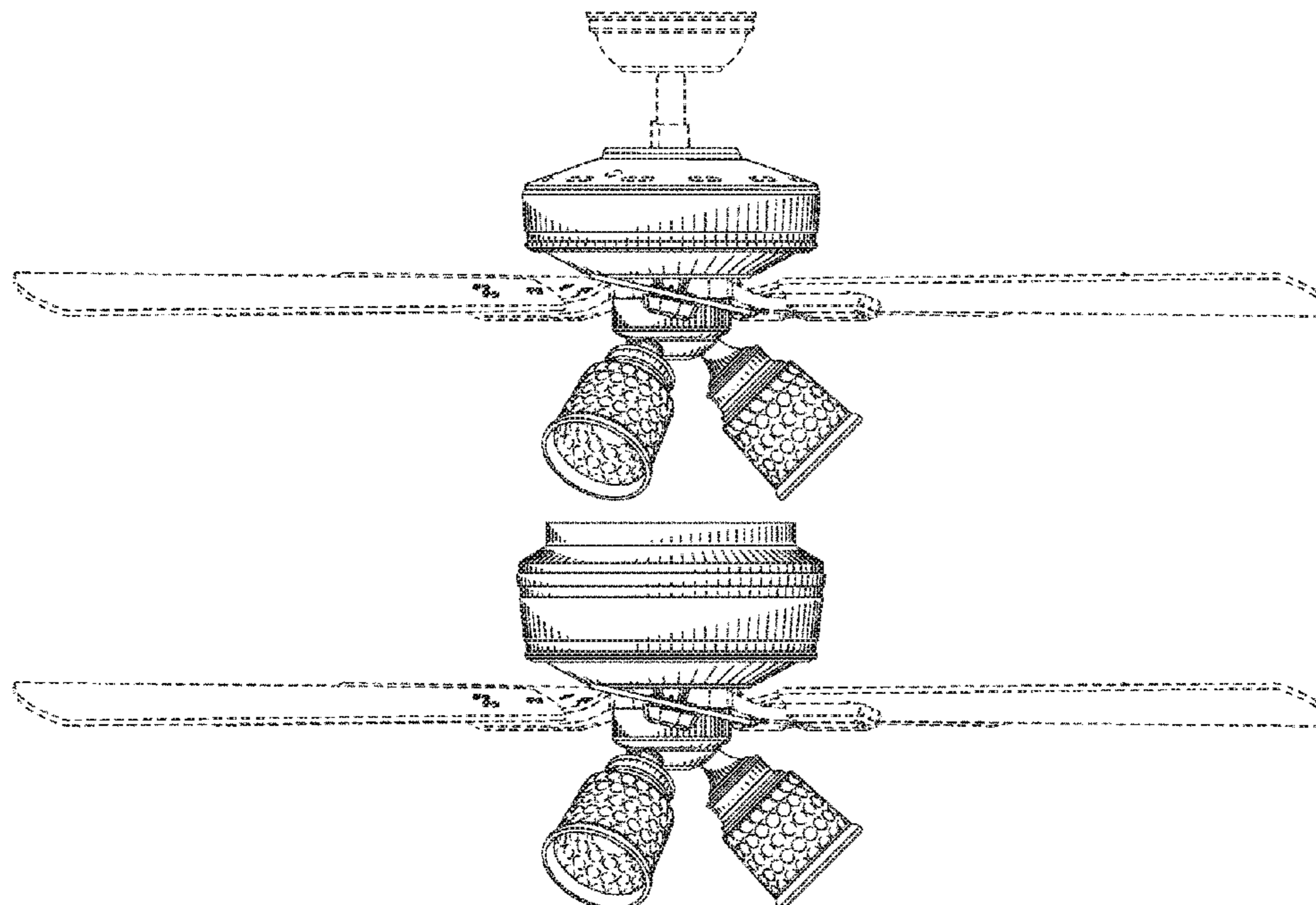
**DESCRIPTION**

FIG. 1 is a bottom perspective view of a ceiling fan according to an embodiment of the invention; FIG. 2 is a top perspective view of the ceiling fan of FIG. 1; FIG. 3 is a front side view of the ceiling fan of FIG. 1; FIG. 4 is a right side view of the ceiling fan of FIG. 1; FIG. 5 is a rear side view of the ceiling fan of FIG. 1; FIG. 6 is a left side view of the ceiling fan of FIG. 1; FIG. 7 is a top view of the ceiling fan of FIG. 1; FIG. 8 is a bottom view of the ceiling fan of FIG. 1; FIG. 9 is a bottom perspective view of a ceiling fan according to a second embodiment of the invention; FIG. 10 is a top perspective view of the ceiling fan of FIG. 9; FIG. 11 is a front view of the ceiling fan of FIG. 9; FIG. 12 is a right side view of the ceiling fan of FIG. 9; FIG. 13 is a rear view of the ceiling fan of FIG. 9; FIG. 14 is a left side view of the ceiling fan of FIG. 9; FIG. 15 is a top view of the ceiling fan of FIG. 9; and, FIG. 16 is a bottom view of the ceiling fan of FIG. 9.

The broken lines illustrate portions of the ceiling fan that form no part of the claimed design.

The broken circular lines on the surfaces of the light glasses are surface ornamentation and form part of the claimed design.

**1 Claim, 12 Drawing Sheets**



(56)

References Cited

U.S. PATENT DOCUMENTS

D397,416	S	8/1998	Lee	
D399,202	S	10/1998	Kanatani	
D407,814	S	4/1999	Lin	
D408,517	S	4/1999	LaSpina	
D416,616	S *	11/1999	LaSpina	D23/377
D424,679	S	5/2000	LaSpina	
D425,191	S	5/2000	LaSpina	
D437,046	S	1/2001	Tsuji	
D440,649	S	4/2001	Tsuji	
D448,841	S	10/2001	Campbell	
D485,344	S *	1/2004	Tai	D23/377
D510,624	S	10/2005	Graham	
D517,202	S	3/2006	Tai	
D517,231	S *	3/2006	Pickett	D26/59
D524,439	S	7/2006	Tai	
D526,715	S	8/2006	Glasbrenner	
D531,297	S	10/2006	Ertze	
D532,104	S	11/2006	Pickett	
D568,983	S	5/2008	Pan	
D574,945	S	8/2008	Hidalgo	
D584,396	S	1/2009	Bucher et al.	
D599,469	S	9/2009	Yang	
D627,046	S *	11/2010	Wang	D23/377
D627,054	S	11/2010	Pan	
D627,870	S	11/2010	Wang	
D671,202	S *	11/2012	Searle	D23/377
D705,922	S	5/2014	Wang	
D706,919	S *	6/2014	Wang	D23/411
D707,344	S	6/2014	Wang	
D744,081	S *	11/2015	Wang	D23/411
D745,655	S	12/2015	Pickett et al.	
D773,636	S	12/2016	Wang	
D778,421	S	2/2017	Hidalgo	
D778,426	S	2/2017	Hidalgo	
D805,626	S *	12/2017	Haggar	D23/377
D810,921	S *	2/2018	McRoberts	D23/377
9,897,095	B2 *	2/2018	Botkin	F04D 25/088
D827,805	S *	9/2018	Biancuzzo	D23/377
D827,806	S *	9/2018	Biancuzzo	D23/377
2017/0045197	A1 *	2/2017	Rossi	F21V 1/08
2019/0229536	A1 *	7/2019	Wang	F04D 25/088

OTHER PUBLICATIONS

<http://www.montecarlofans.com/51311/60-Colony-Super-Max-Brushed-Steel-5CSM60BS.html>, Monte Carlo Colony Super Max Collection, Product No. 5CSM60BS, accessed Mar. 20, 2017.

<https://www.lowes.com/pd/Harbor-Breeze-Barnstaple-Bay-52-in-Brushed-Nickel-Downrod-Mount-Indoor-Residential-Ceiling-Fan-with-Light-Kit/50393286>, Harbor Breeze Barnstaple Bay 52-in Brushed Nickel Downrod Mount Indoor Residential Ceiling Fan with Light Kit, Model No. E-RLG52BNK5C, accessed Mar. 20, 2017.

<http://www.homedepot.com/p/Hampton-Bay-Vaugas-44-in-LED-Indoor-Brushed-Nickel-Ceiling-fan-68144/207046702>, Hampton Bay Vaugas 44in. LED Indoor Brushed Nickel Ceiling Fan, Model No. 68144, accessed Mar. 20, 2017.

<http://www.hunterfan.com/Ceiling-Fans/Meridale?ModelNumber=53306>, Hunter Fan Meridale 52" Ceiling Fan, Model No. 53306 Brushed Nickel Finish, accessed Mar. 20, 2017.

<http://www.hunterfan.com/Ceiling-Fans/Oakhurst?ModelNumber=52016>, Hunter Fan Oakhurst—52" Ceiling Fan, Model No. 52016 New Bronze Finish, accessed Mar. 20, 2017.

<http://www.kingoffans.com/#/products/ceilingFans>, King of Fans Huntington III, Model No. 46007, accessed Mar. 20, 2017.

<http://www.kingoffans.com/#/products/ceilingFans>, King of Fans Accubreeze, Model No. 72196, accessed Mar. 20, 2017.

<http://www.craftmade.com/pro-energy-star-209-ces209abz>, Craftmade Pro Energy Star 209, 52 in. Pro Energy Star 209 Ceiling Fan, Model No. CES209ABZ, accessed Mar. 20, 2017.

<http://ceilingfans.emerson.com/en/shop/fan/fans-s-emerson-fans/fans-s-indoor-outdoor/summer-night-fan-p-cf652>, Emerson Summer Night 52" Ceiling Fan, SKU No. CF652ORD, accessed Oct. 31, 2017.

<http://www.fanimation.com/products/index.php/fans/aire-decor-bp230.html>, Fanimation Aire Decor, Model No. BP230, accessed Oct. 31, 2017.

<http://www.hunterfan.com/Ceiling-Fans/Sea-Wind?ModelNumber=53351>, Hunter Fan Sea Wind Collection, 48" Ceiling Fan, Model No. 53351, accessed Oct. 31, 2017.

<http://www.minkagroup.net/all-collections?keys=F588-SP>, MinkaAire 54" 5 Blades in Oil Rubbed Bronze Finish, Model No. F588-SP-ORB, accessed Oct. 31, 2017.

<http://www.minkagroup.net/products/f648-orbex>, MinkaAire 52" 5 Blades in Oil Rubbed Bronze finish w/Medium Maple Blades/Tea Stained Glass, Model No. F647-ORB/TS, accessed Oct. 31, 2017.

<http://www.kingoffans.com/#/products/ceilingFans>, Item Specification for King of Fans Woodland, Model No. 30475, accessed Jan. 24, 2018.

<https://www.menards.com/main/lighting-ceiling-fans/ceiling-fans/shop-all-ceiling-fans/turn-of-the-century-reg-eros-42-white-transitional-ceiling-fan/p-1444438436281-c-7488.htm?tid=-6954497153777887856>, Turn of the Century Eros, 42" White Ceiling Fan, Model No. fn42401w, accessed Jan. 24, 2018.

<http://www.fanimation.com/products/index.php/fans/aire-deluxe-44-with-light-kit.html>, Fanimation Aire Deluxe with Light Kit, Model No. FP6245B, accessed Jan. 24, 2018.

<http://www.craftmade.com/Craftmade-PUH52OB-Oiled-Bronze-Flush-Mount-Ceiling-Fan.HTM>, Craftmade Pro Universal Hugger, 52" Ceiling Fan, Model No. PUH520OB, accessed Aug. 2, 2017.

<http://www.kichler.com/products/product/52-inch-carlson-fan-ap-300138ap.aspx>, Kichler Carlson 52 Inch Carlson Fan AP, Model No. 300138AP, accessed Jan. 24, 2018.

<http://www.hunterfan.com/Ceiling-Fans/Estate-Winds?ModelNumber=54165>, Hunter Fan Estate Winds Low Profile with LED Light 56" Ceiling Fan, Item No. 54164, accessed Jan. 24, 2018.

<http://www.minkagroup.net/products/f556-bn>, Minka Group Contactor Plus, 52" Ceiling Fan in Brushed Nickel with Silver Bands, Model No. F556-BN, accessed Jan. 24, 2018.

<http://www.lightingandlocks.com/g6tst.html>, Item Specification for Fanimation, Myfanimation 2-1/4" Glass Piece Tea Stain, Item No. G6TST, accessed Jan. 24, 2018.

<http://www.homedepot.com/p/Hampton-Bay-Lonestar-II-52-in-Natural-Iron-Ceiling-Fan-AL875-BK/203245573>, Hampton Bay Lonestar II, 52 in. Indoor Natural Iron Ceiling Fan with Light Kit, Model No. AL875-BK, accessed Jan. 24, 2018.

<http://www.craftmade.com/builder-deluxe-bld52-c3>, Craftmade Builder Deluxe Ceiling Fan with Blades included. Model No. BLD52-C3, accessed Jan. 24, 2018.

<http://www.minkagroup.net/products/2632>, Minka 2 1/4" Glass shade, Model No. 2632, accessed Jan. 24, 2018.

\* cited by examiner

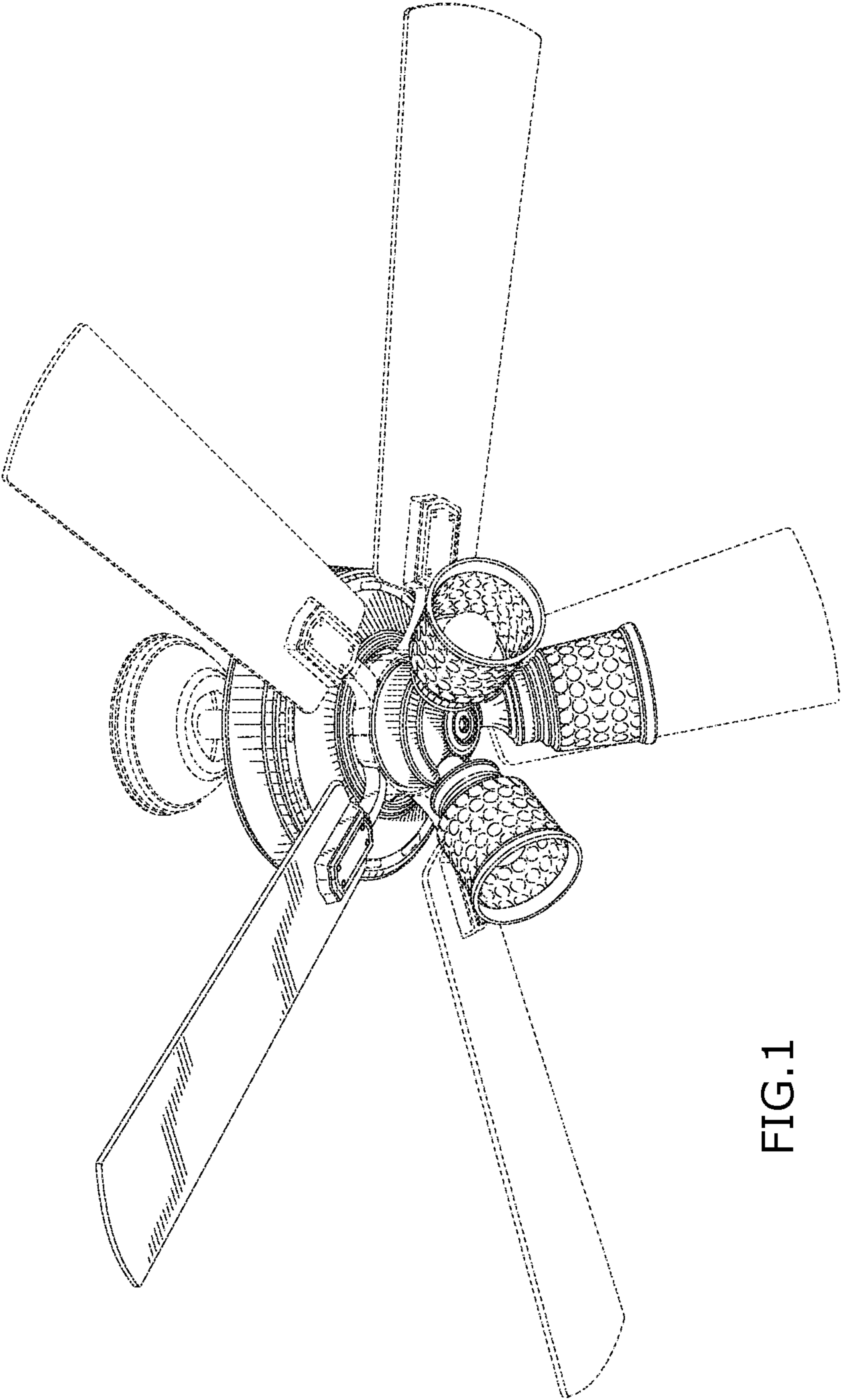


FIG.1

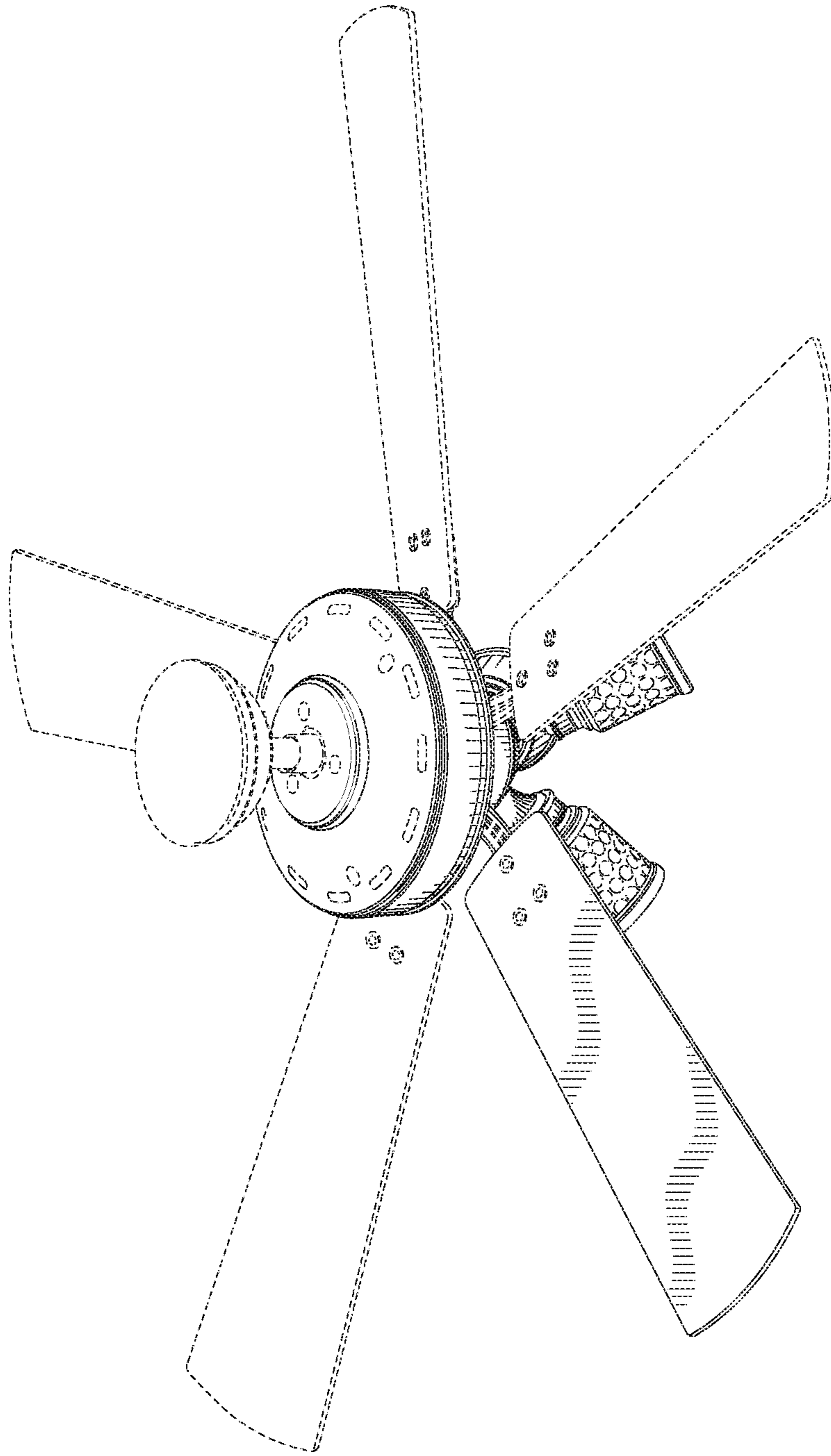


FIG.2

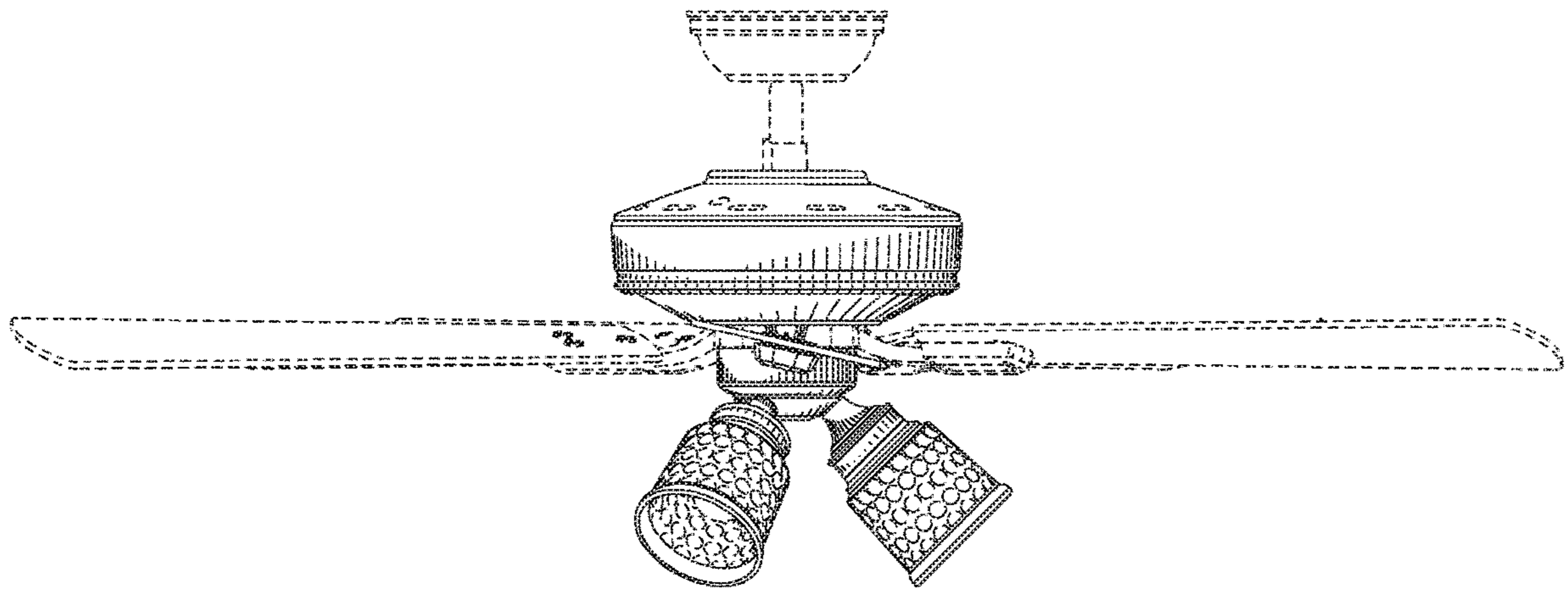


FIG. 3

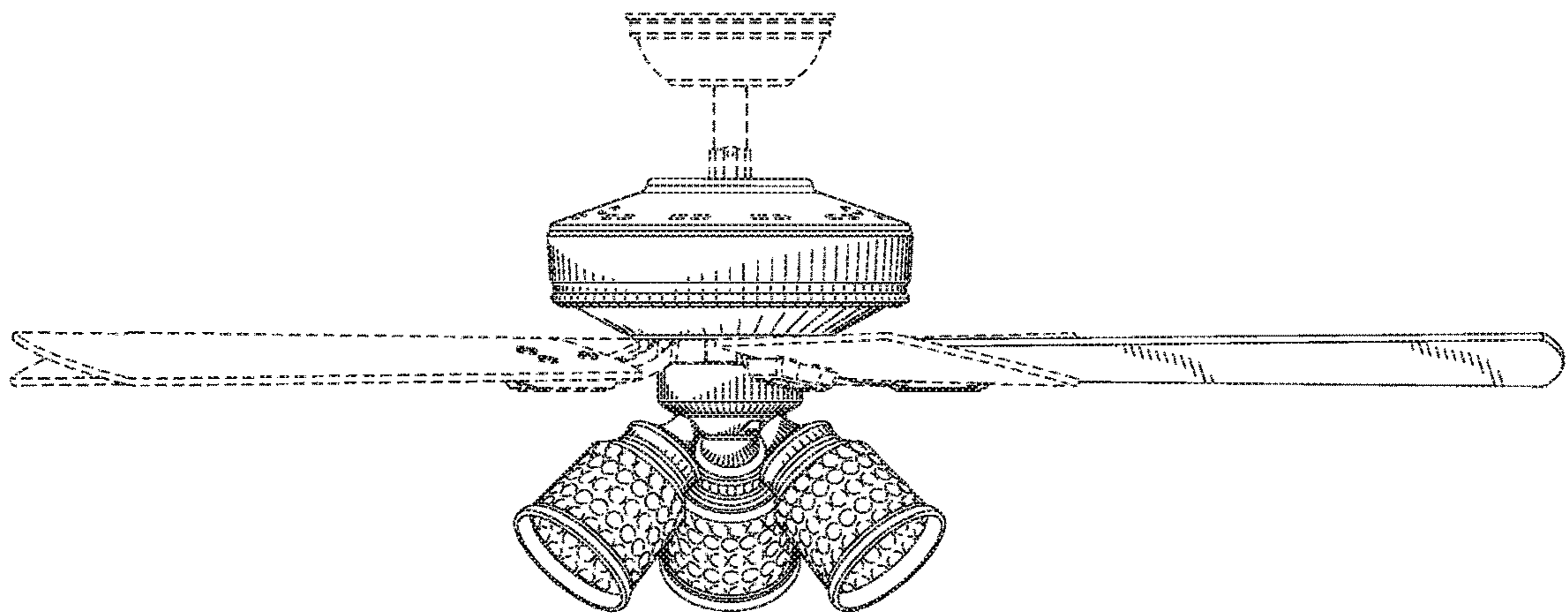


FIG. 4

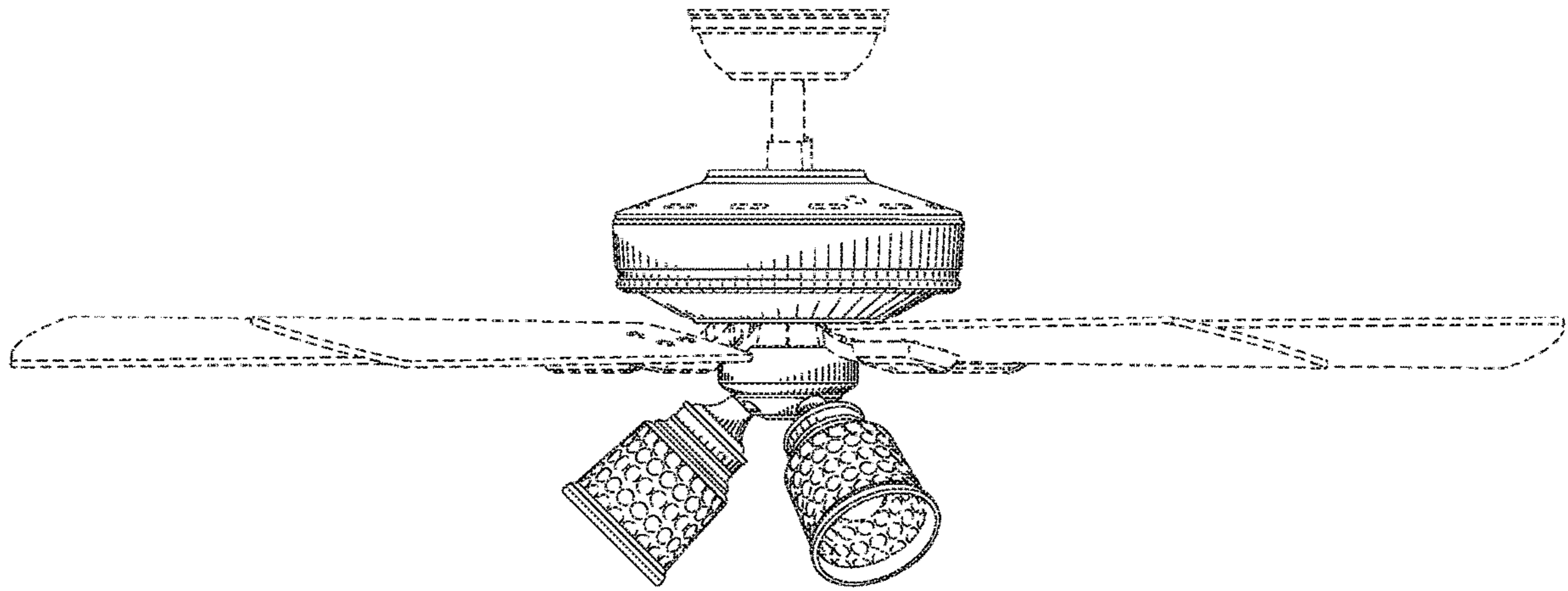


FIG. 5

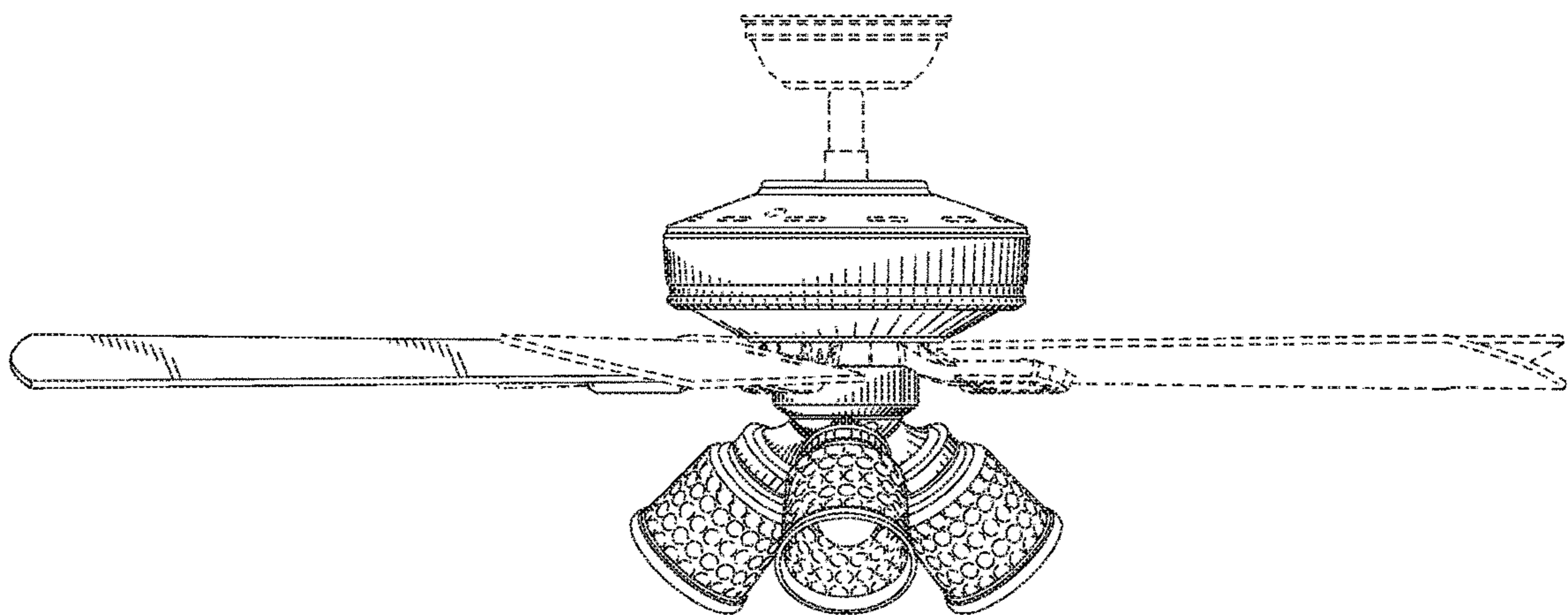


FIG. 6

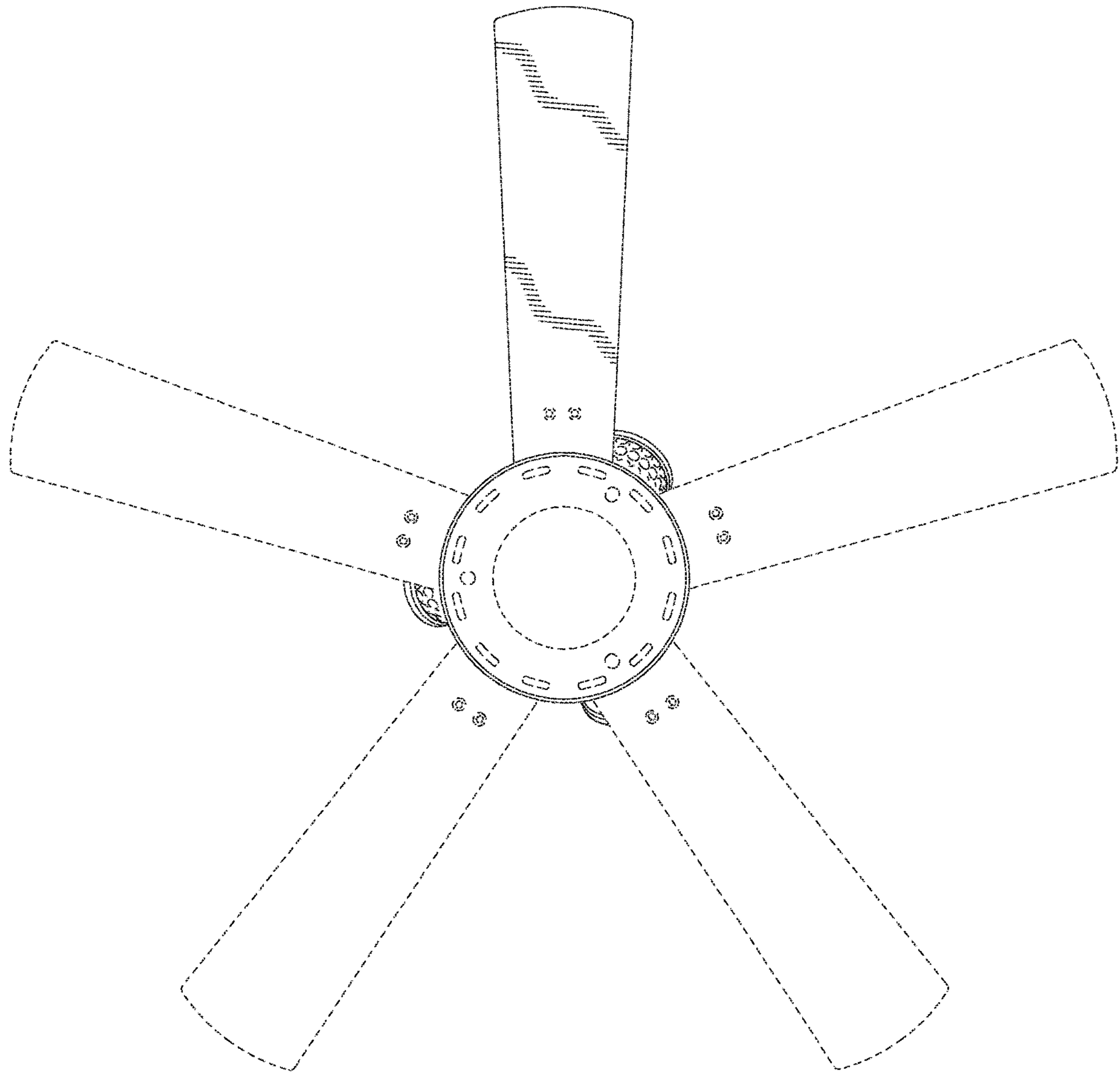


FIG. 7

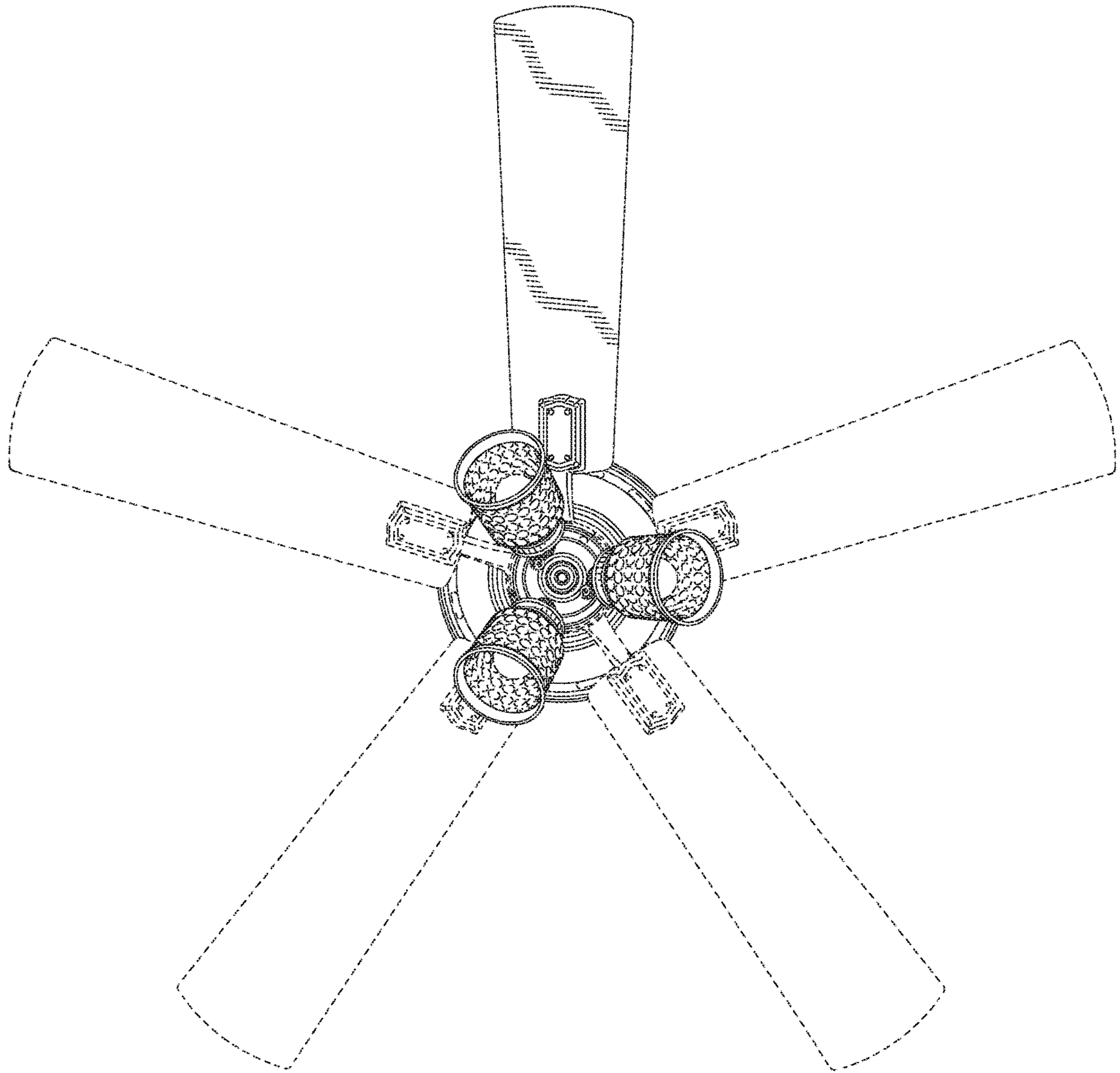


FIG.8



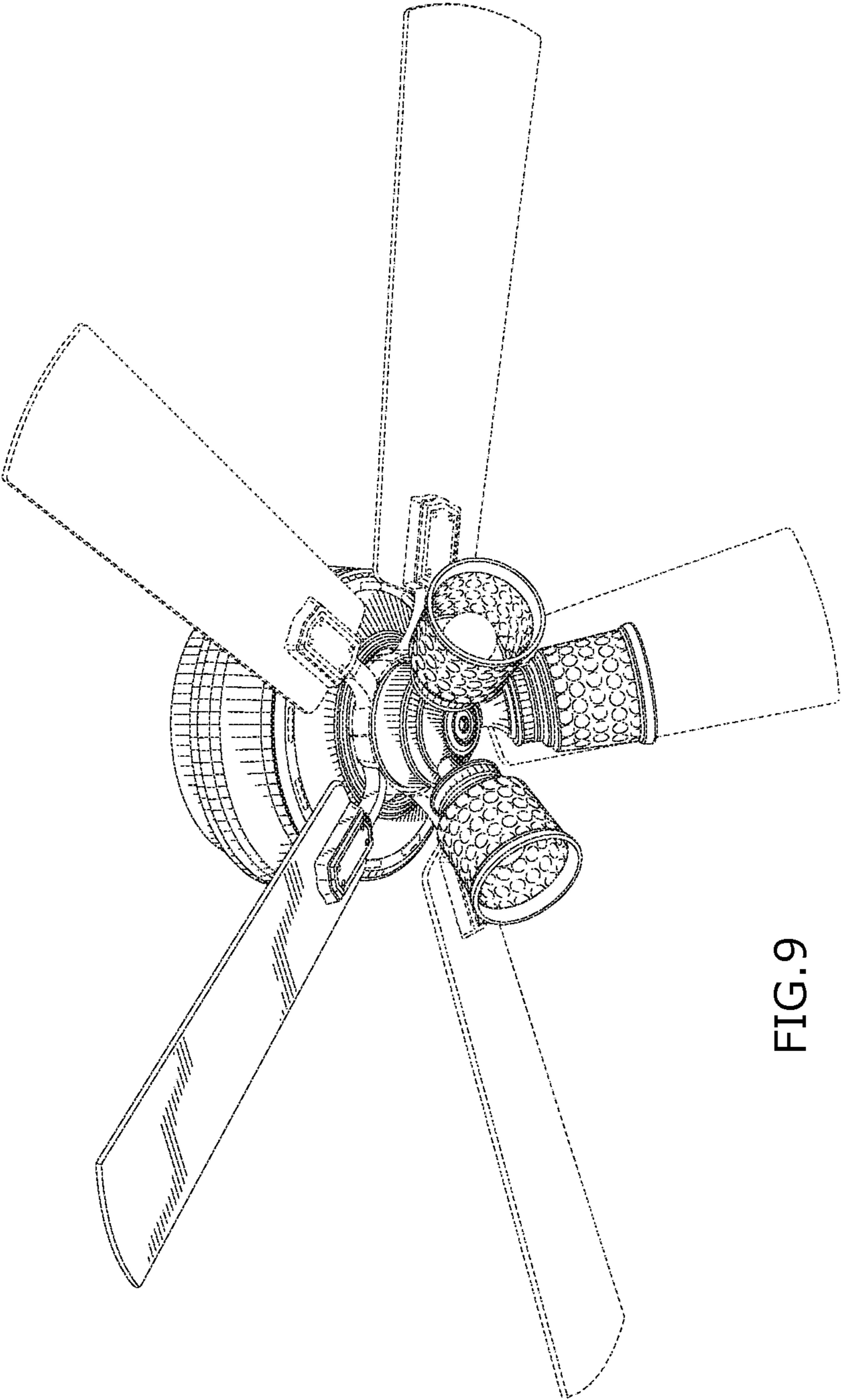


FIG. 9

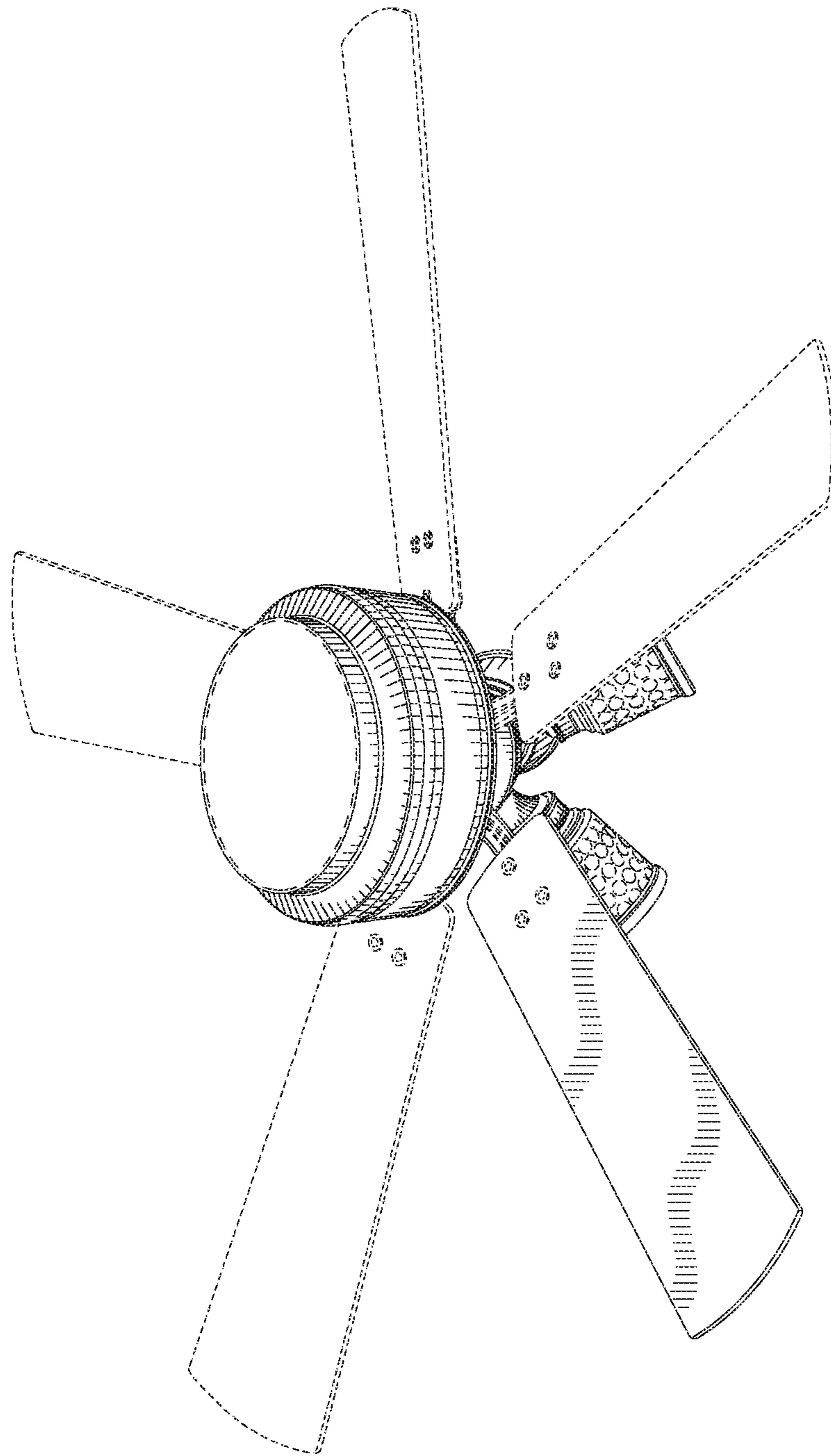


FIG.10

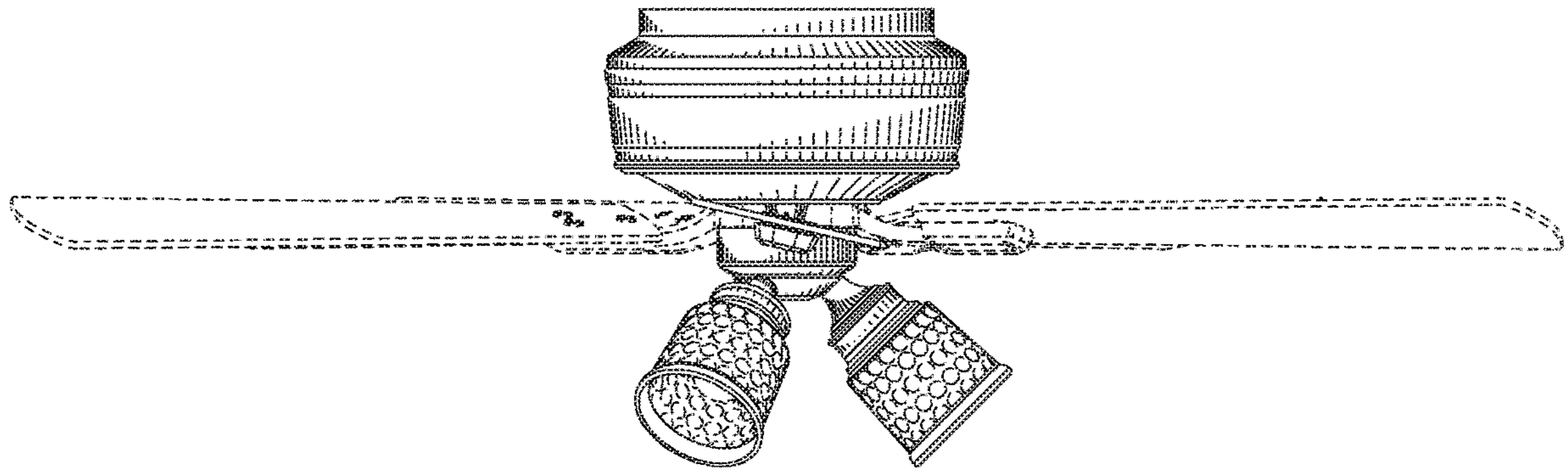


FIG. 11

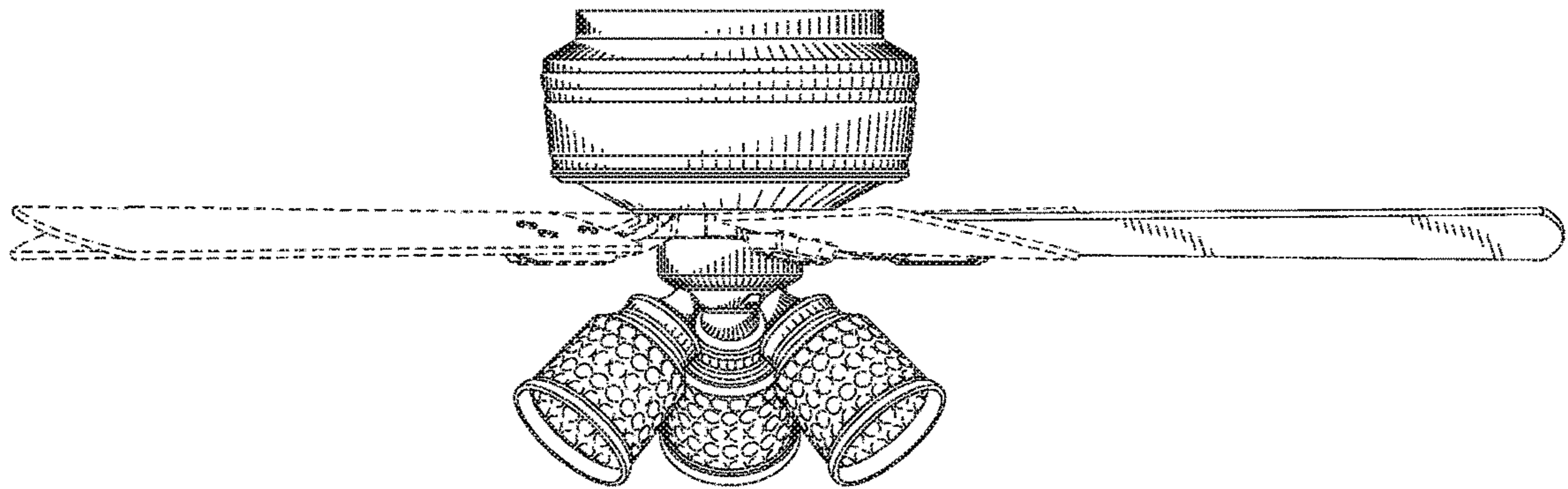


FIG. 12

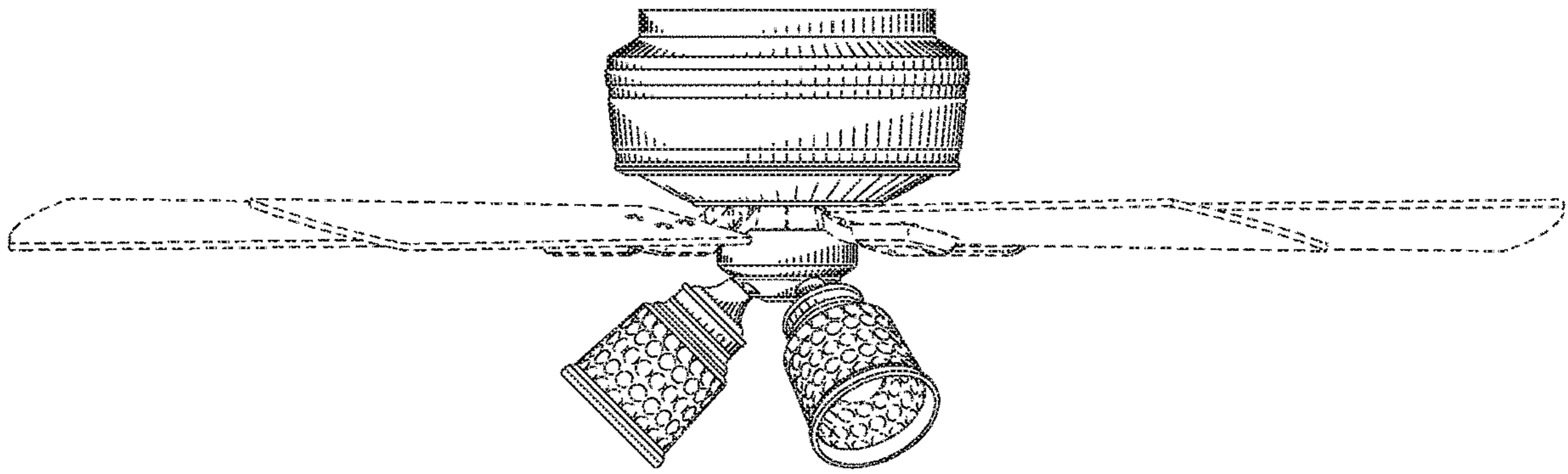


FIG. 13

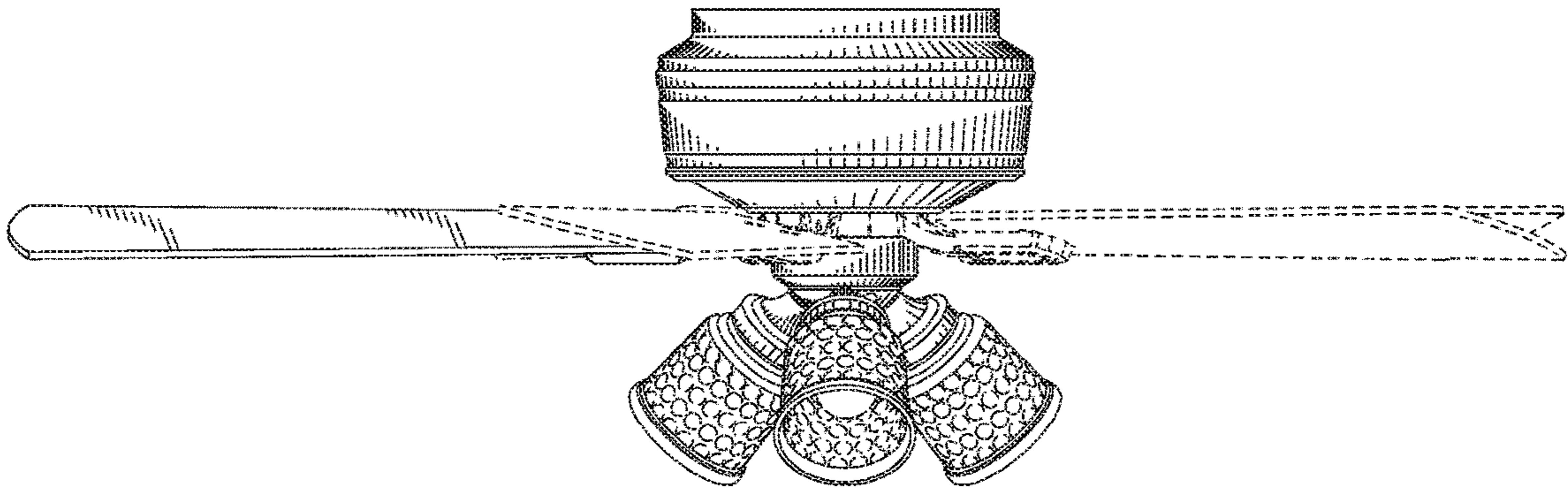


FIG. 14

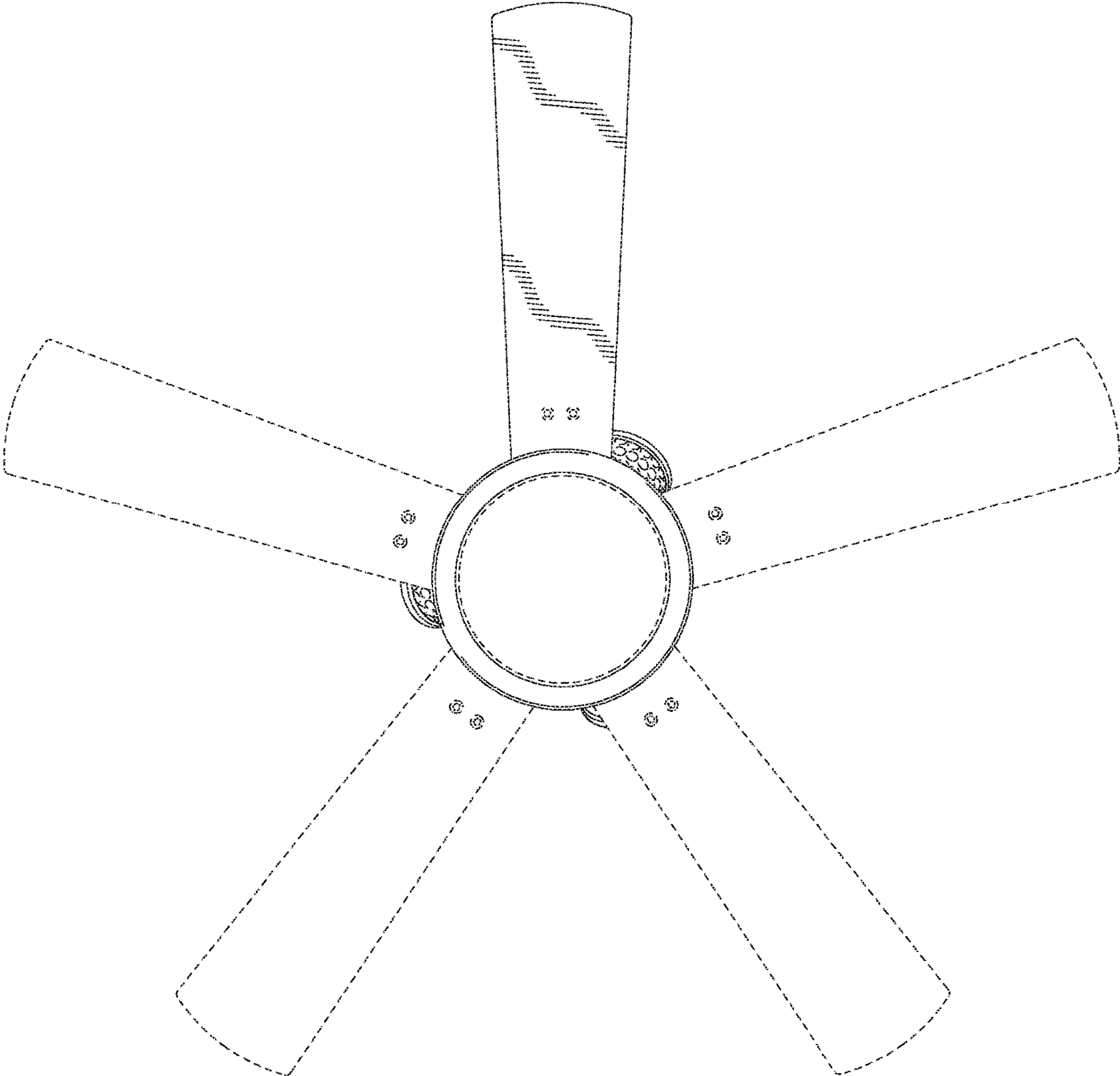


FIG.15

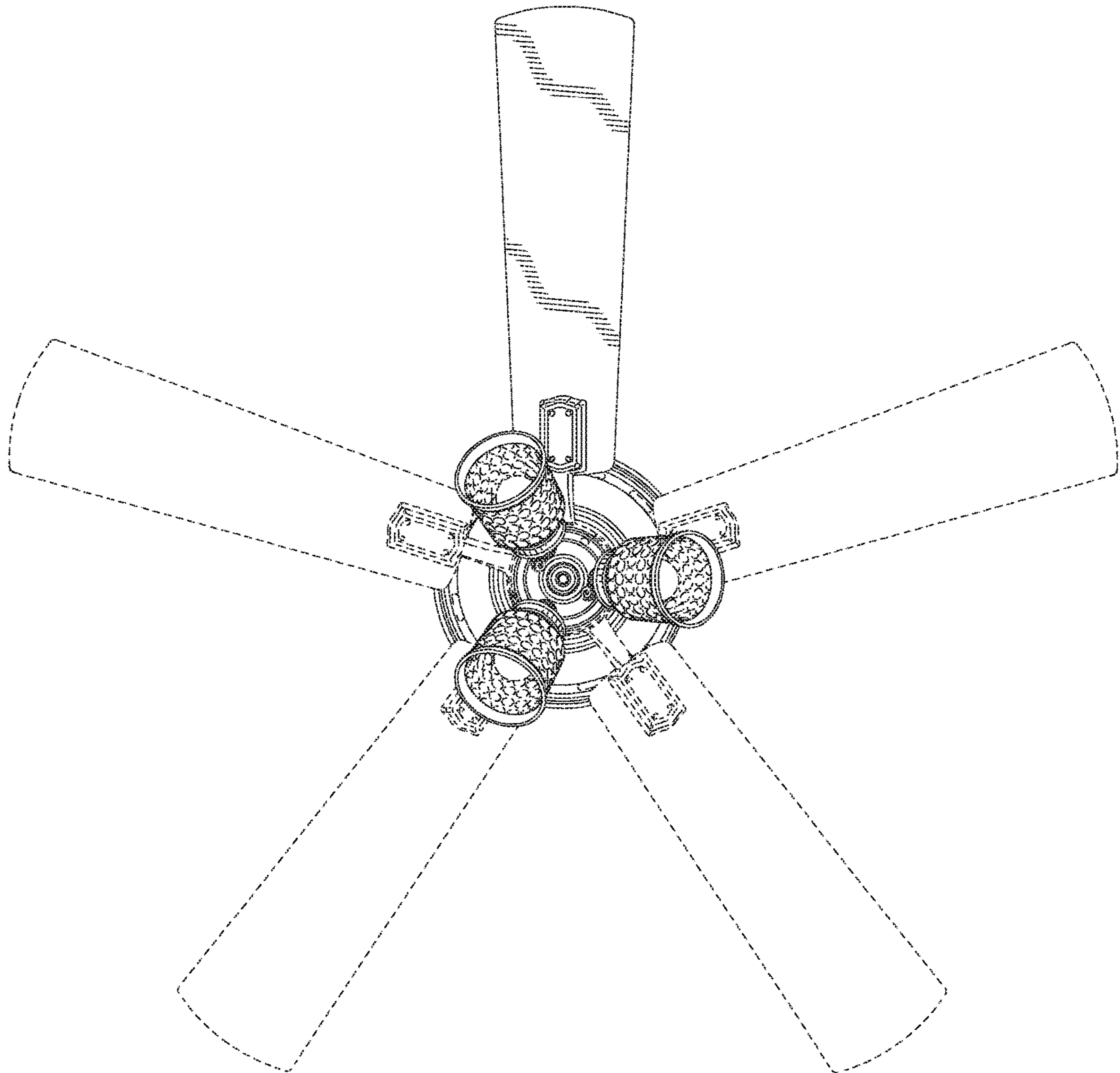


FIG.16