



US00D884144S

(12) **United States Design Patent**
Indio da Costa

(10) **Patent No.:** **US D884,144 S**
(45) **Date of Patent:** **** May 12, 2020**

(54) **CEILING FAN**

(71) Applicant: **Luiz Augusto de Siqueira Indio da Costa**, Rio de Janeiro (BR)

(72) Inventor: **Luiz Augusto de Siqueira Indio da Costa**, Rio de Janeiro (BR)

(**) Term: **15 Years**

(21) Appl. No.: **29/605,460**

(22) Filed: **May 26, 2017**

(51) **LOC (12) Cl.** **23-04**

(52) **U.S. Cl.**
USPC **D23/377**

(58) **Field of Classification Search**
USPC D26/59; D23/370, 377-382, 411-414
CPC F04D 25/088; F04D 29/38; F21V 21/03;
B63H 1/16
See application file for complete search history.

(56) **References Cited**

U.S. PATENT DOCUMENTS

D475,775 S *	6/2003	Da Costa	D23/377
D515,196 S *	2/2006	Indio da Costa	D23/377
8,133,028 B2 *	3/2012	Liu	F03D 3/062 416/204 R
D678,997 S *	3/2013	Gajewski	D23/372
D680,210 S *	4/2013	Chan	D23/377
D692,120 S *	10/2013	Noble	D23/385
D741,468 S *	10/2015	Ertze	D23/377
D772,393 S *	11/2016	Wang	D23/377
D807,490 S *	1/2018	Ruan	D23/377
D828,915 S *	9/2018	Haggar	D23/413
D849,225 S *	5/2019	Schulzman	D23/377
2015/0110625 A1 *	4/2015	De Siqueira Indio Da Costa	F24F 5/0035 416/5

FOREIGN PATENT DOCUMENTS

BR 30 2013 005396-2 F 1/2015

OTHER PUBLICATIONS

IC_Air Solo, [online], [retrieved on May 19, 2017]. Retrieved from Internet, <URL: <http://indiodacostadesignstore.com/ventiladores/>>.
(Continued)

Primary Examiner — Janice Hallmark
(74) *Attorney, Agent, or Firm* — Renner, Otto, Boisselle & Sklar, LLP

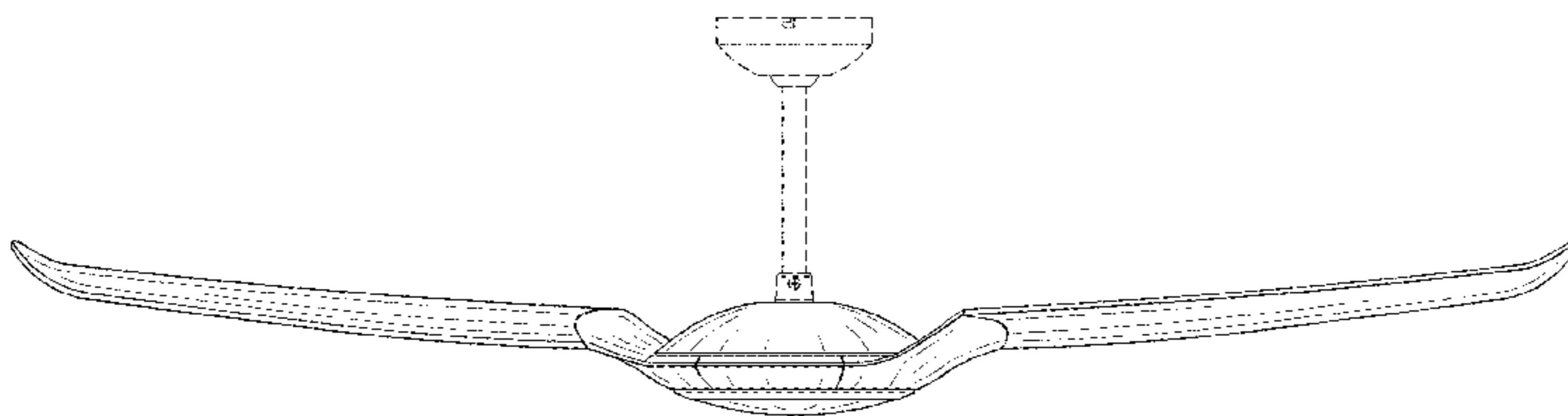
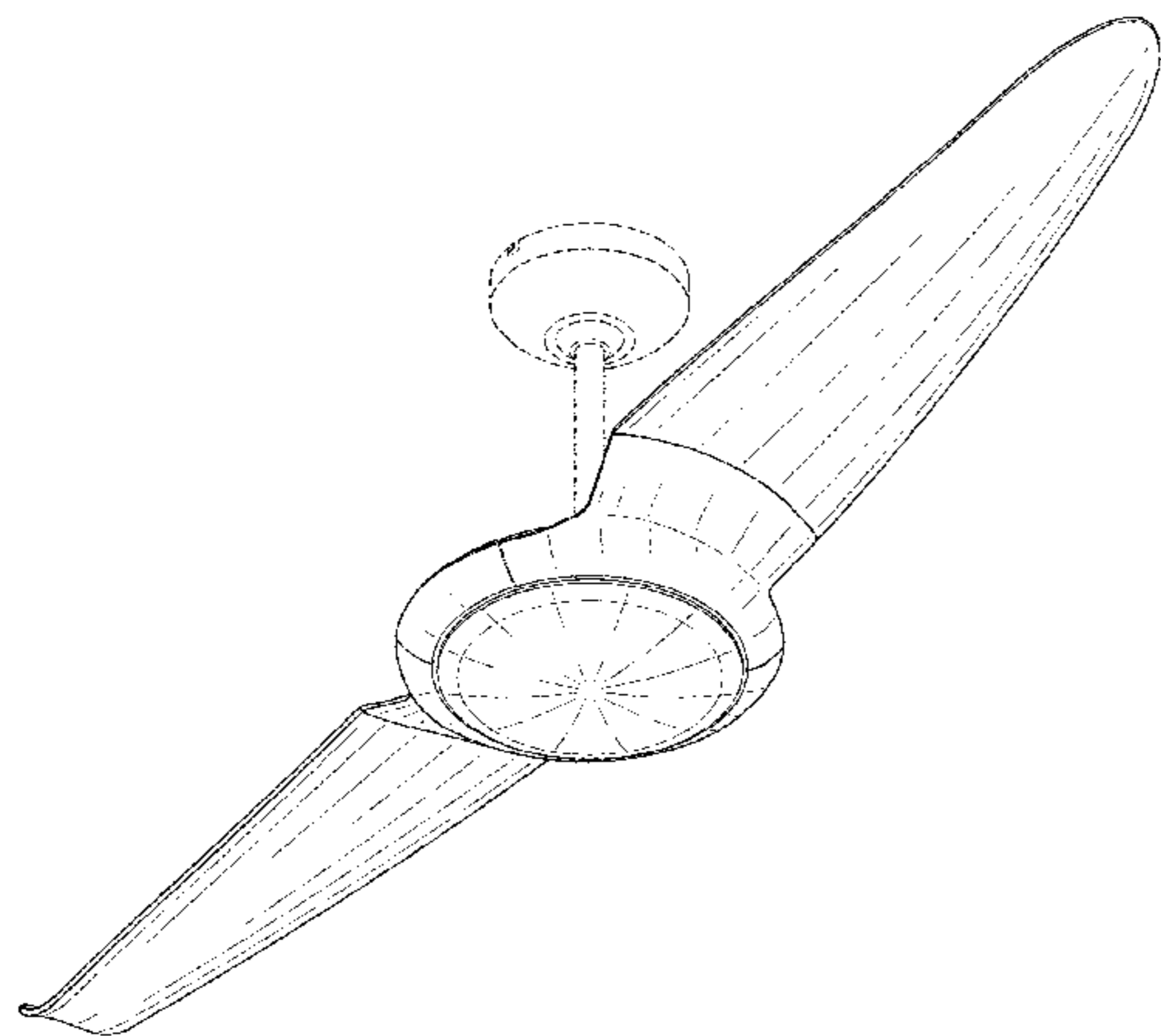
(57) **CLAIM**

The ornamental design for a ceiling fan, as shown and described.

DESCRIPTION

FIG. 1 is a top, front, right perspective view of a first embodiment of a ceiling fan showing my new design; FIG. 2 is a bottom, front, right perspective view thereof; FIG. 3 is a top plan view thereof; FIG. 4 is a bottom plan view thereof; FIG. 5 is a front elevation view thereof; FIG. 6 is a rear elevation view thereof; FIG. 7 is a right side elevation view thereof; FIG. 8 is a left side elevation view thereof; FIG. 9 is a top, front, right perspective view of a second embodiment of a ceiling fan showing my new design; FIG. 10 is a bottom, front, right perspective view thereof; FIG. 11 is a top plan view thereof; FIG. 12 is a bottom plan view thereof; FIG. 13 is a front elevation view thereof; FIG. 14 is a rear elevation view thereof; FIG. 15 is a right side elevation view thereof; and, FIG. 16 is a left side elevation view thereof. The broken line showing represents unclaimed portions of the article and forms no part of the claimed design. In the second embodiment, the diagonal double lines shown on the light cover portion of the fan, indicate a translucent surface.

1 Claim, 8 Drawing Sheets



(56)

References Cited

OTHER PUBLICATIONS

Aeratron AE3, distributed by MacroAir, [online], [retrieved on May 19, 2017]. Retrieved from Internet, <URL: <http://aeratronfans.com/shop/ae3>>.

Aeratron AE2, distributed by MacroAir, [online], [retrieved on May 19, 2017]. Retrieved from Internet, <URL: <http://aeratronfans.com/shop/ae2>>.

MinkaAire Wing, [online], [retrieved on May 19, 2017]. Retrieved from Internet, <URL: <http://www.minkagroup.net/minka-aire/products>>.

MinkaAire Wave, [online], [retrieved on May 19, 2017]. Retrieved from Internet, <URL: <http://www.minkagroup.net/minka-aire/products>>.

MinkaAire Force, [online], [retrieved on May 19, 2017]. Retrieved from Internet, <URL: <http://www.minkagroup.net/minka-aire/products>>.

MinkaAire Aviation, [online], [retrieved on May 19, 2017]. Retrieved from Internet, <URL: <http://www.minkagroup.net/minka-aire/products>>.

MinkaAire Pancake, [online], [retrieved on May 19, 2017]. Retrieved from Internet, <URL: <http://www.minkagroup.net/minka-aire/products>>.

Possini Abstract, distributed by Lamps Plus, [online], [retrieved on May 19, 2017]. Retrieved from Internet, <URL: http://www.lampsplus.com/products/56-inch-abstract-brushed-nickel-ceiling-fan_8y358.html>.

Possini Ozone, distributed by Lamps Plus, [online], [retrieved on May 19, 2017]. Retrieved from Internet, <URL: http://www.lampsplus.com/products/60-inch-ozone-led-brushed-nickel-ceiling-fan-8-inch-extension_6c046-6c066-82303.html>.

Monte Carlo Fans Lilly, [online], [retrieved on May 19, 2017]. Retrieved from Internet, <URL: <http://www.montecarlofans.com/fa2533-pg1/Lily-Collection.htm>>.

TroposAir Vogue, [online], [retrieved on May 19, 2017]. Retrieved from Internet, <URL: <http://dansceilingfans.com/content/troposair-vogue-60-oil-rubbed-bronze-dc-motor-ceiling-fan-remote>>.

Craftmade Vogue, [online], [retrieved on May 19, 2017]. Retrieved from Internet, <URL: <http://www.craftmade.com/vogue-vg54ti2>>.

MinkaAire Artemis, [online], [retrieved on May 19, 2017]. Retrieved from Internet, <URL: <http://www.minkagroup.net/minka-aire/products>>.

BigAssSolutions Haiku, [online], [retrieved on May 19, 2017]. Retrieved from Internet, <URL: <https://www.haikuhome.com/learn-more-haiku-fans>>.

* cited by examiner

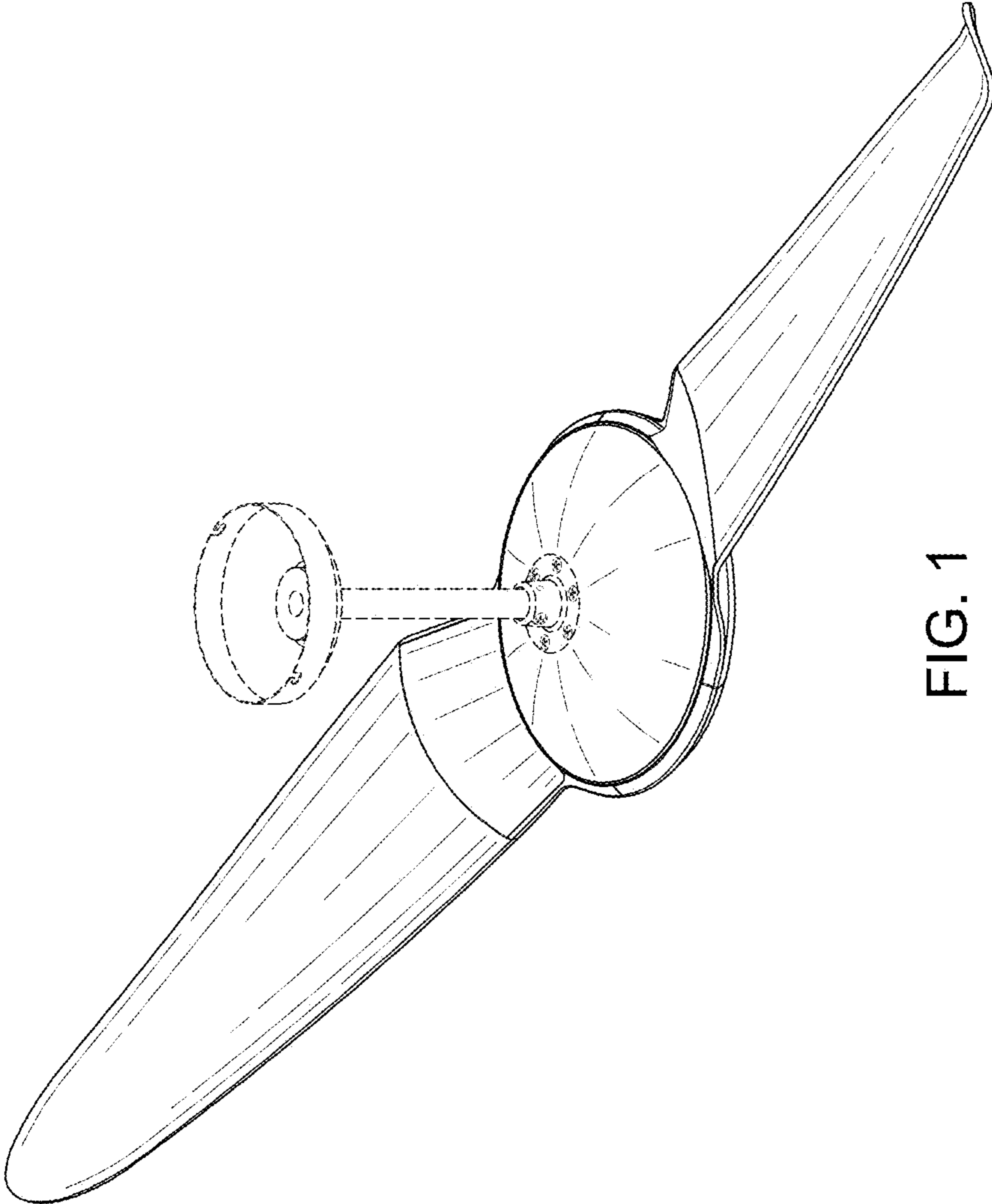


FIG. 1

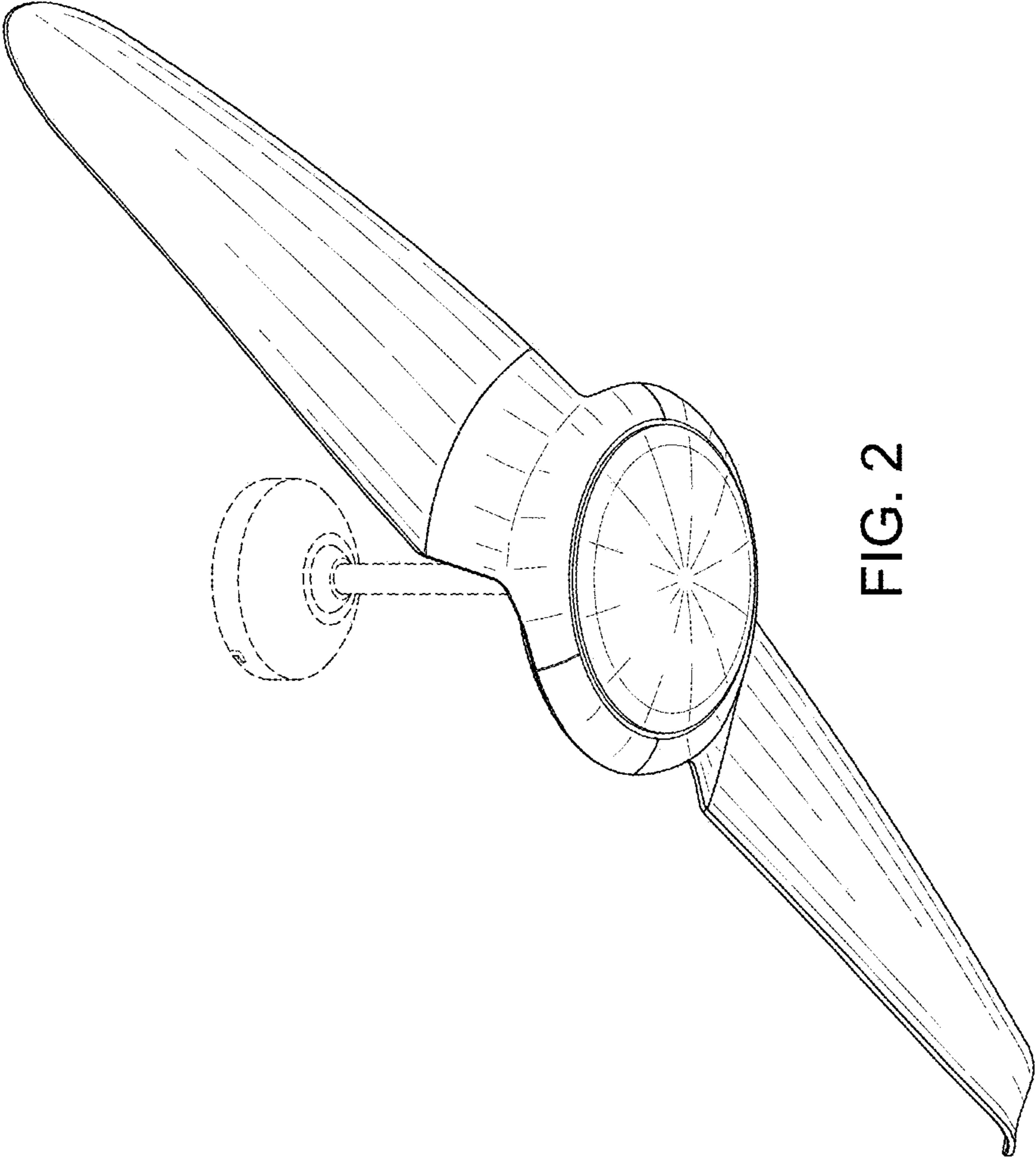


FIG. 2

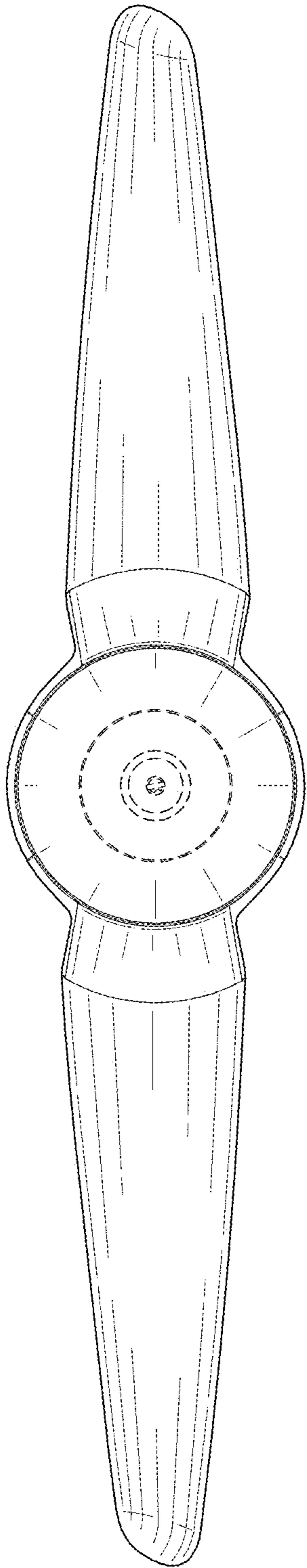


FIG. 3

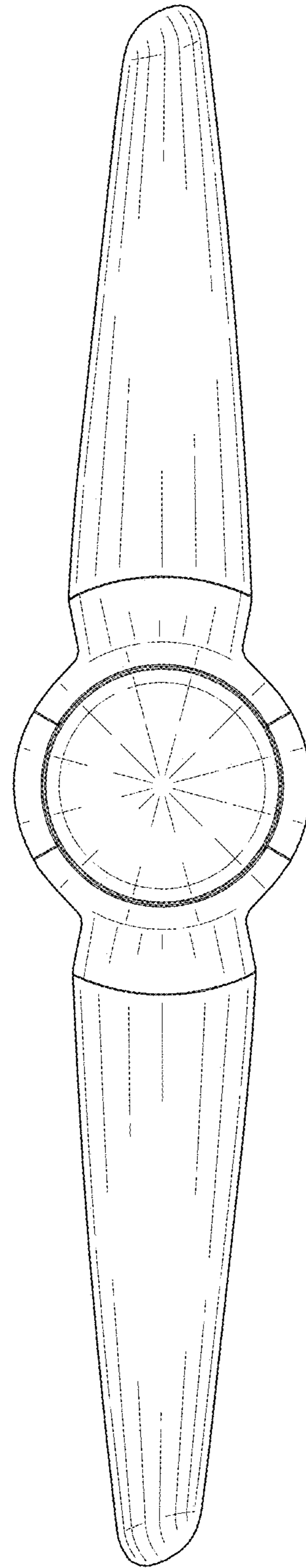


FIG. 4

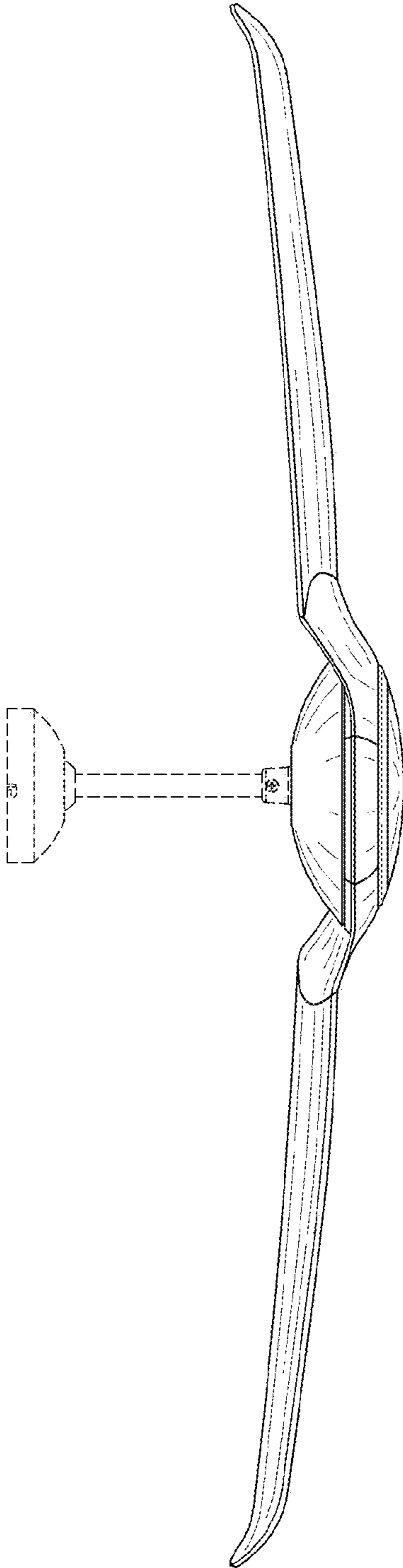


FIG. 5

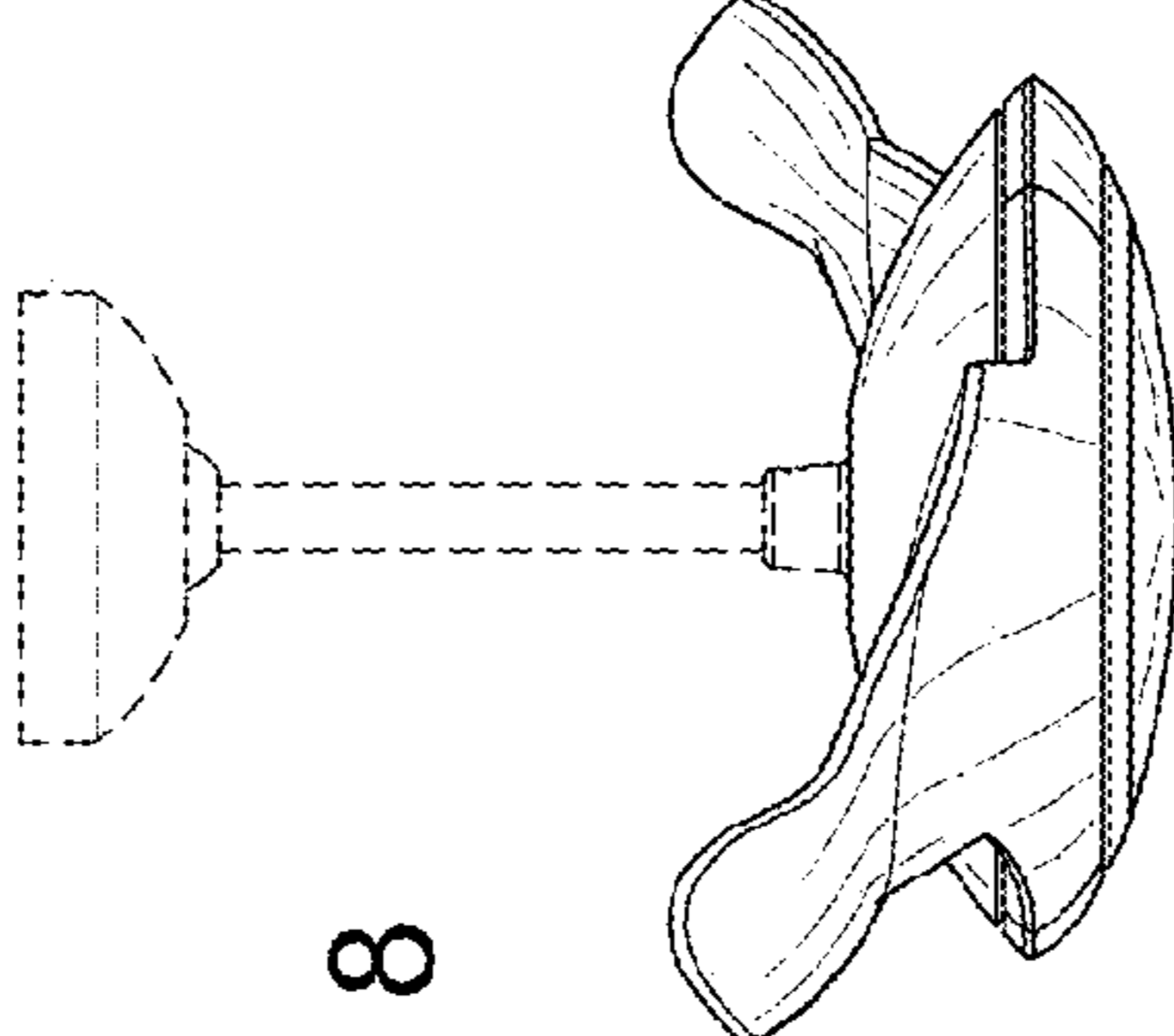


FIG. 8

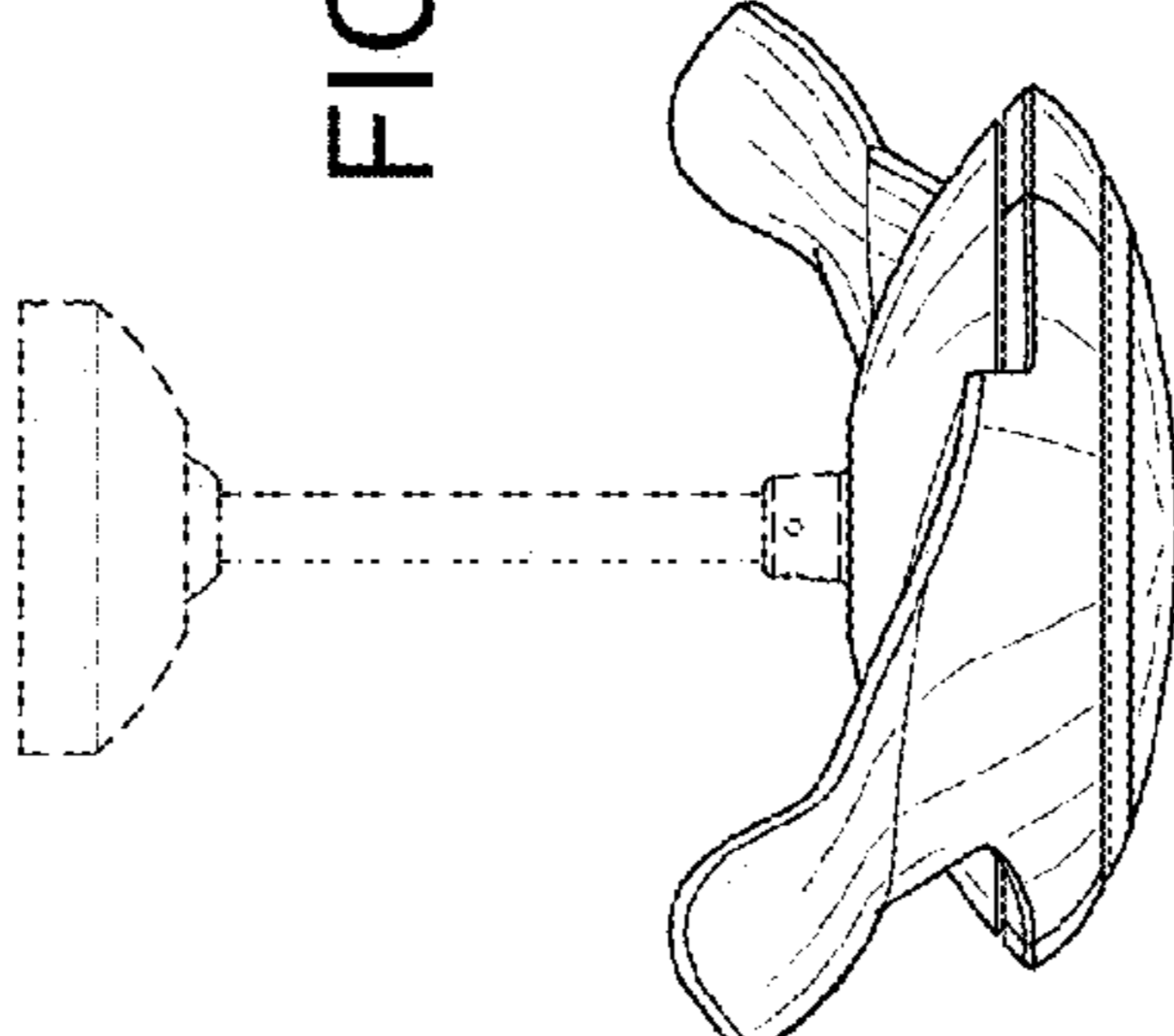


FIG. 7

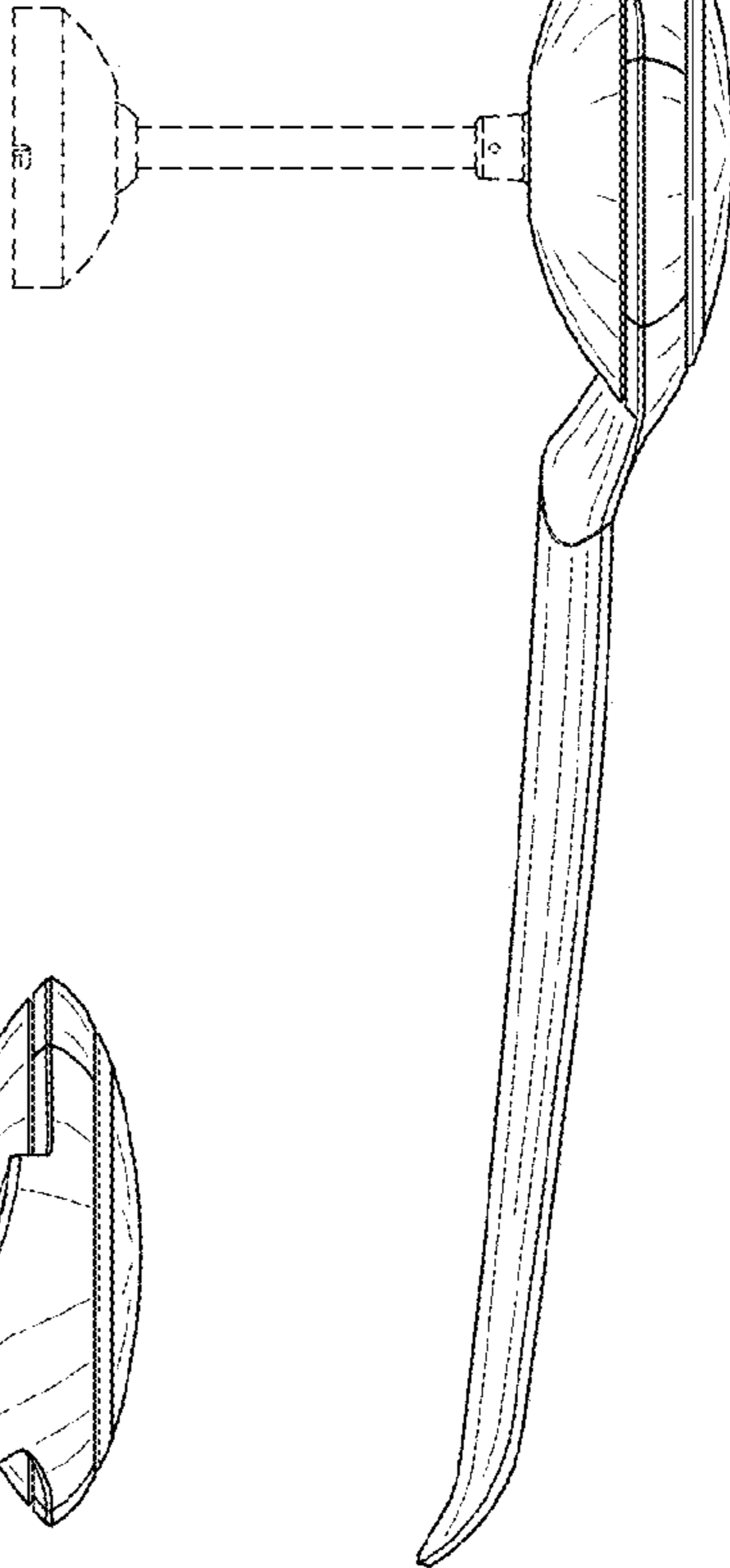


FIG. 6

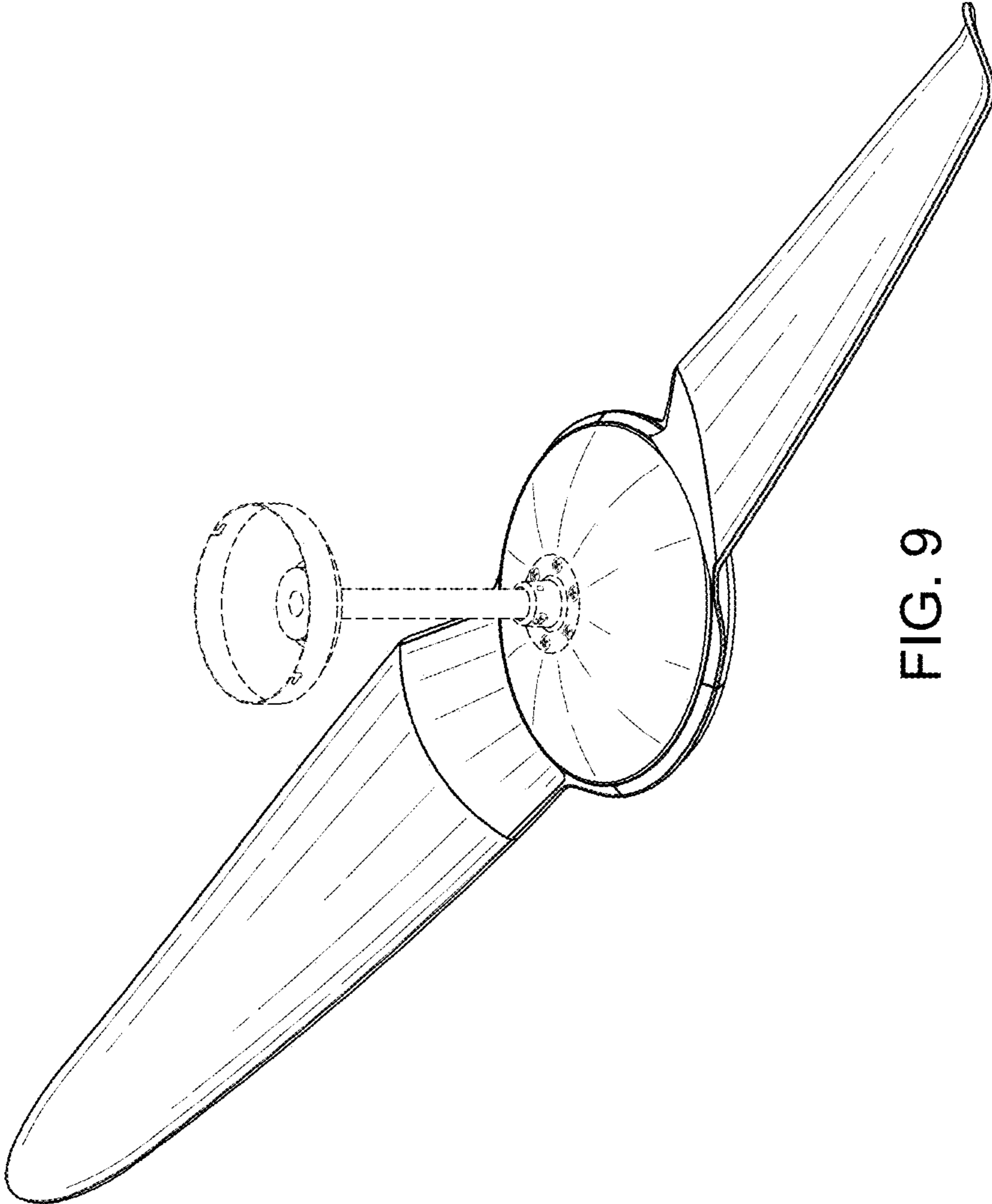


FIG. 9

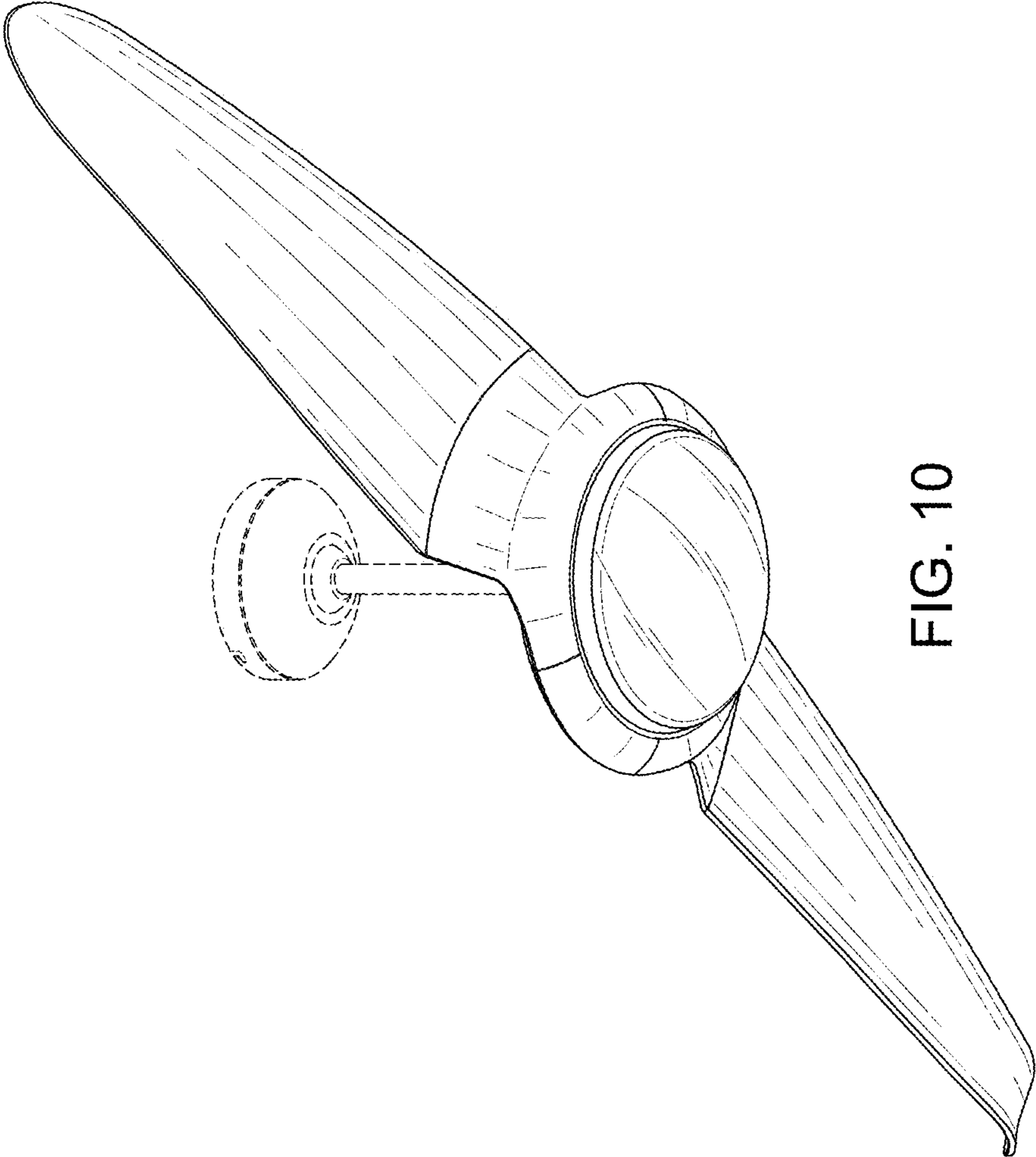


FIG. 10

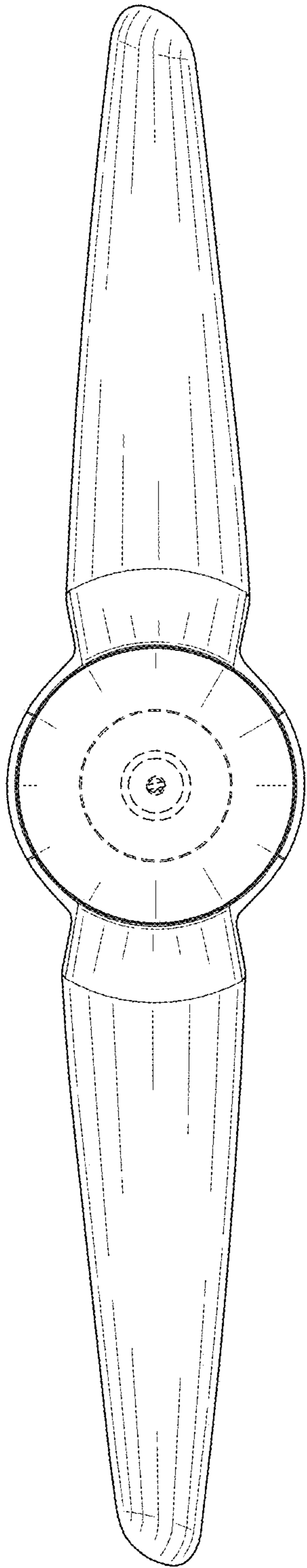


FIG. 11

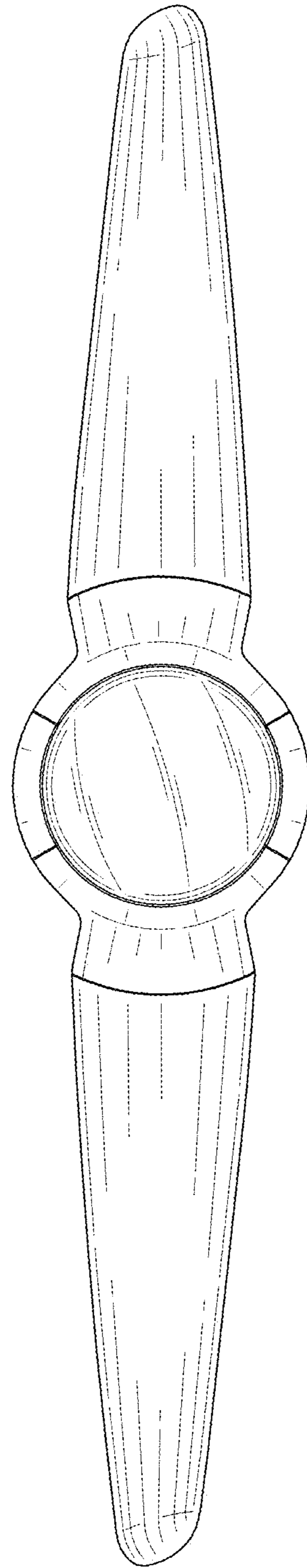


FIG. 12

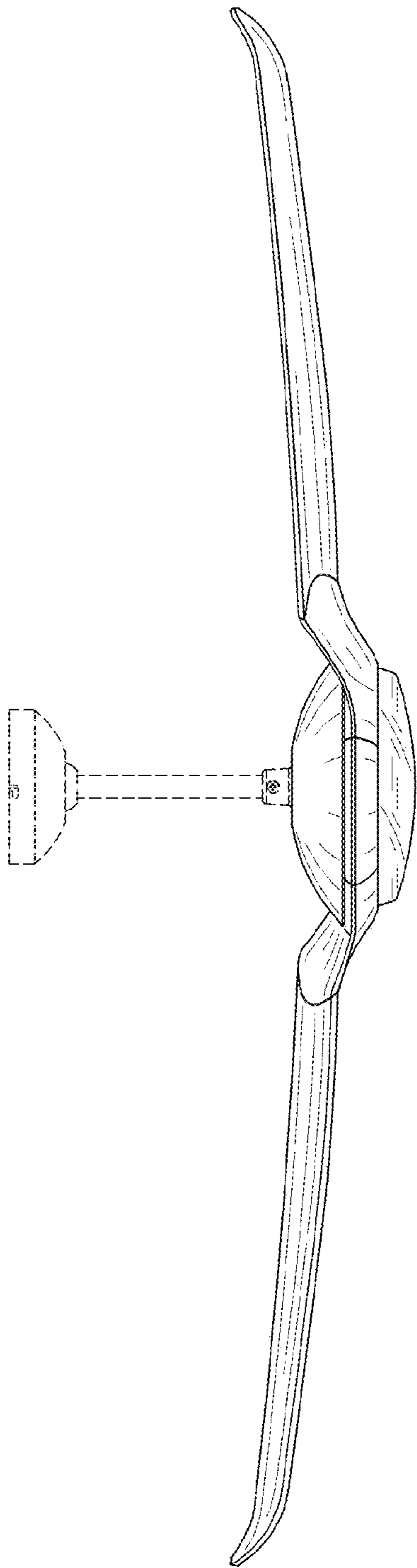


FIG. 13

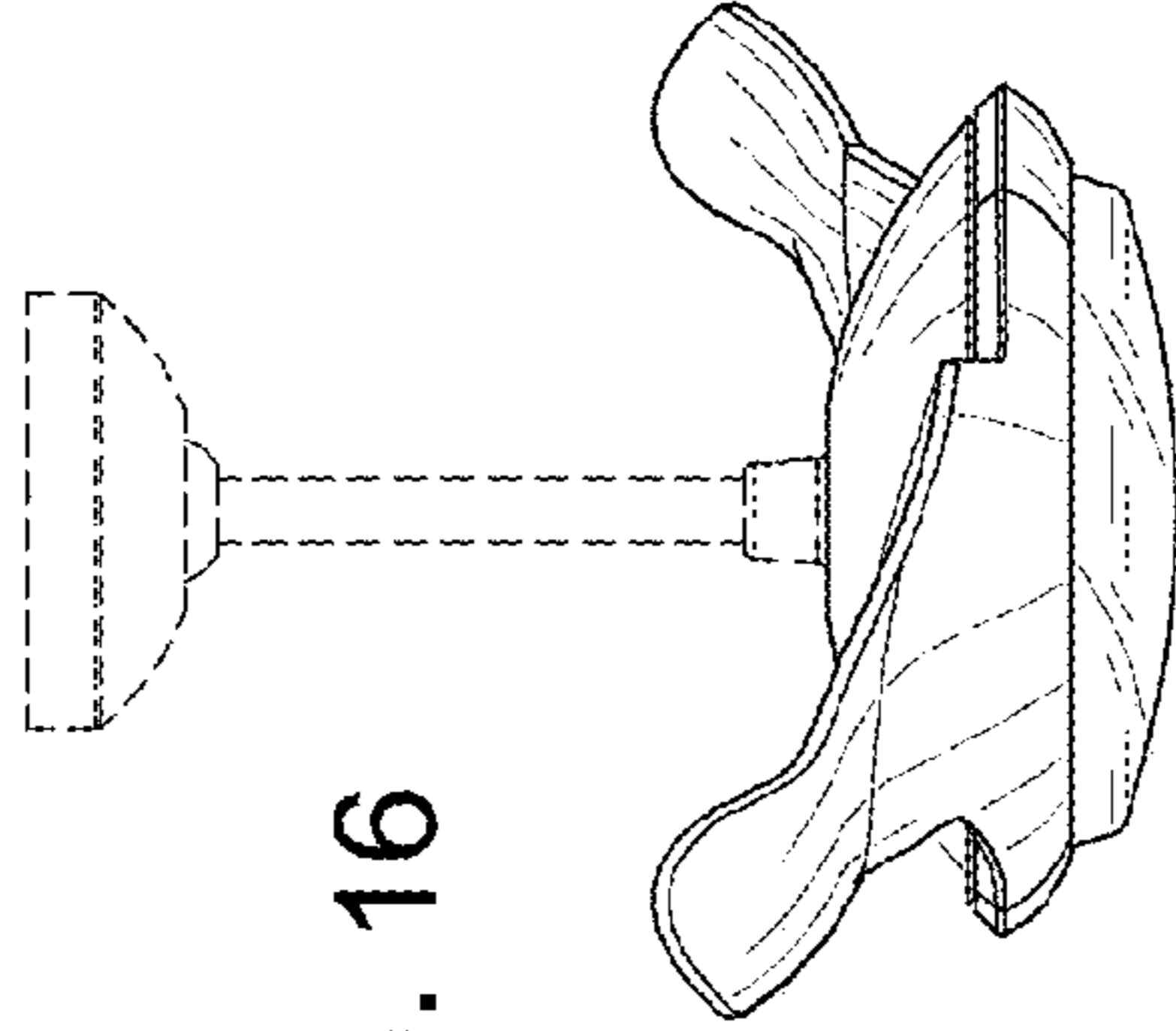


FIG. 16

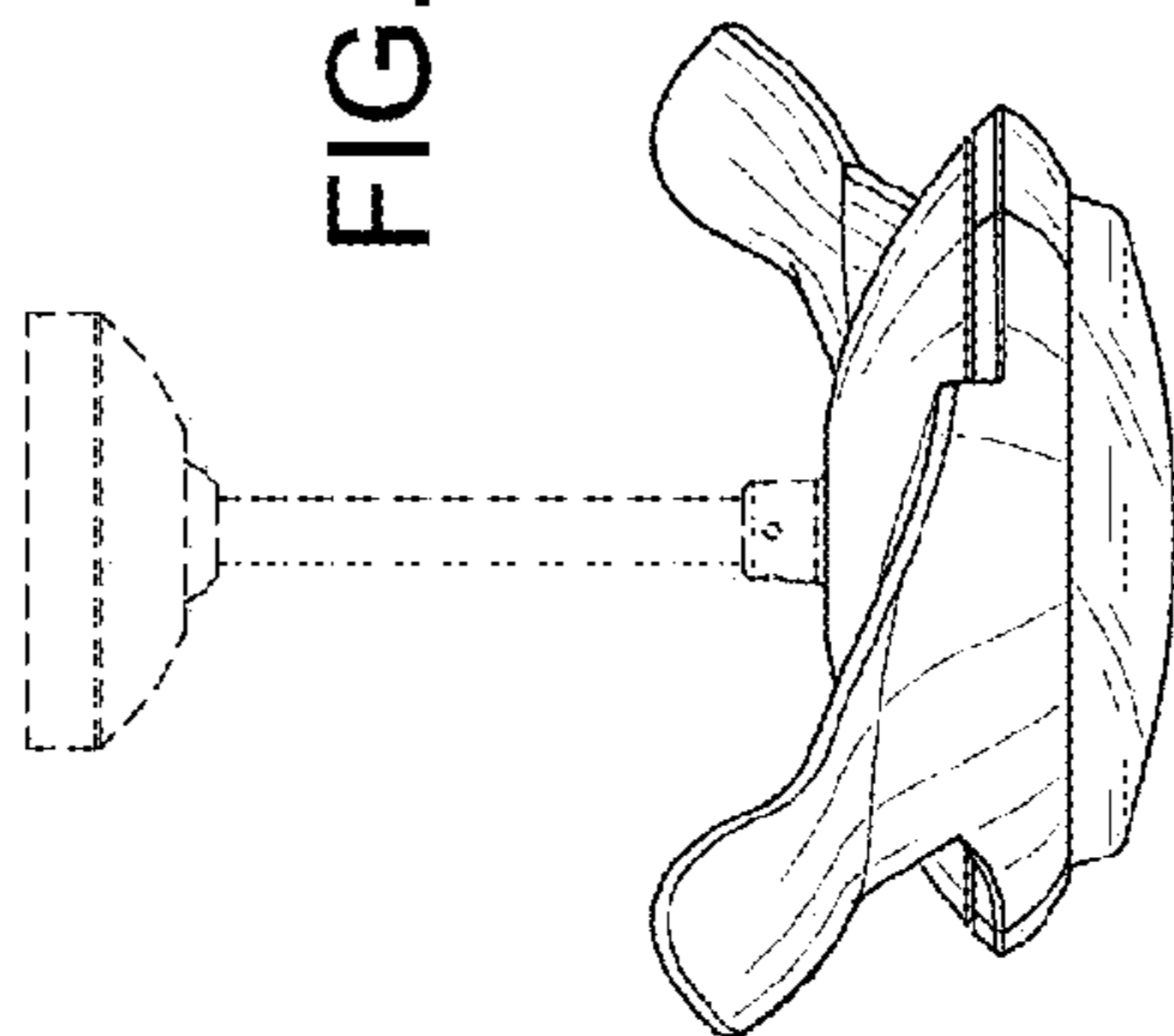


FIG. 15

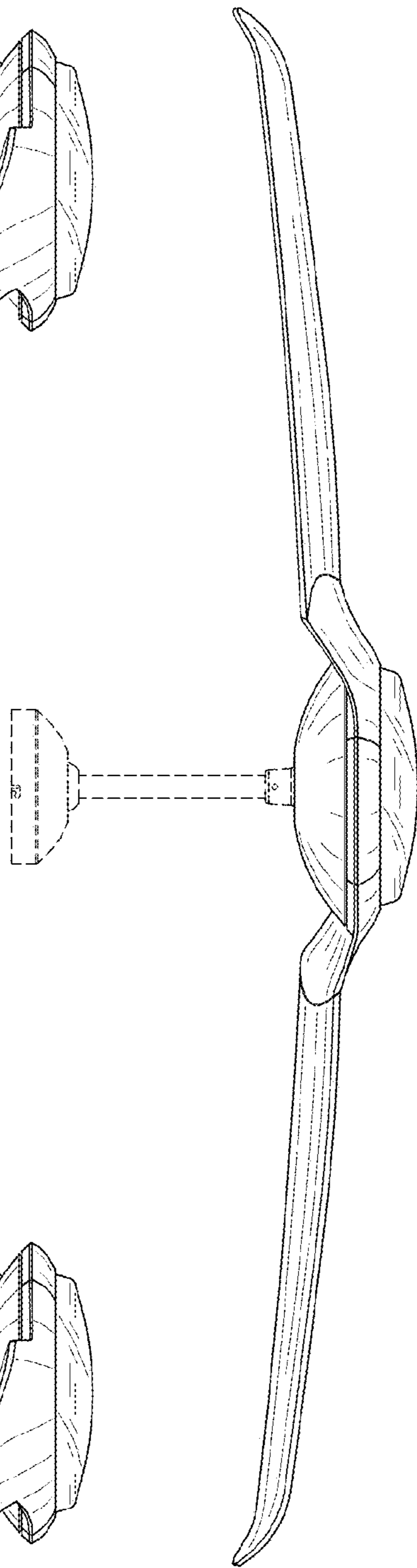


FIG. 14